

US00D575545S

(12) **United States Design Patent**
Weiss

(10) **Patent No.:** **US D575,545 S**

(45) **Date of Patent:** **** Aug. 26, 2008**

(54) **SOFA**

(75) Inventor: **Per Weiss**, Randers (DK)

(73) Assignee: **Innovation U.S.A., Inc.**, Hanover, MD (US)

(**) Term: **14 Years**

(21) Appl. No.: **29/295,555**

(22) Filed: **Oct. 1, 2007**

(51) **LOC (8) Cl.** **06-01**

(52) **U.S. Cl.** **D6/381**

(58) **Field of Classification Search** D6/334,
D6/335, 375, 381, 492, 500-502, 337, 341,
D6/343, 357; 297/63-65, 232-233, 283.2,
297/300.1, 311, 353, 354.1, 411.2, 445.1,
297/448.1, 452.48; 5/12.1, 12.2

See application file for complete search history.

(56) **References Cited**

U.S. PATENT DOCUMENTS

D177,455 S *	4/1956	Young	D6/381
D180,697 S *	7/1957	Peabody	D6/381
D187,790 S *	5/1960	Caldermeyer	D6/381
D455,281 S *	4/2002	Andersen et al.	D6/381
D490,996 S *	6/2004	Weiss et al.	D6/381
7,188,379 B2 *	3/2007	James et al.	5/12.1

* cited by examiner

Primary Examiner—Sandra Snapp

(74) *Attorney, Agent, or Firm*—Miles & Stockbridge PC;
James T. Carmichael

(57) **CLAIM**

The ornamental design for a sofa, as shown and described.

DESCRIPTION

FIG. 1 is a right side perspective view of the sofa showing the new design;

FIG. 2 is a left side perspective view thereof;

FIG. 3 is a front view thereof;

FIG. 4 is a back view thereof;

FIG. 5 is a left side elevation view thereof;

FIG. 6 is a right side elevation view thereof;

FIG. 7 is a top view thereof;

FIG. 8 is a bottom view thereof;

FIG. 9 is a ride side perspective view thereof in a fully reclined position;

FIG. 10 is a left side perspective view thereof in a fully reclined position;

FIG. 11 is a right side perspective view thereof in a partially inclined position; and,

FIG. 12 is a left side perspective view thereof in a partially inclined position.

1 Claim, 6 Drawing Sheets

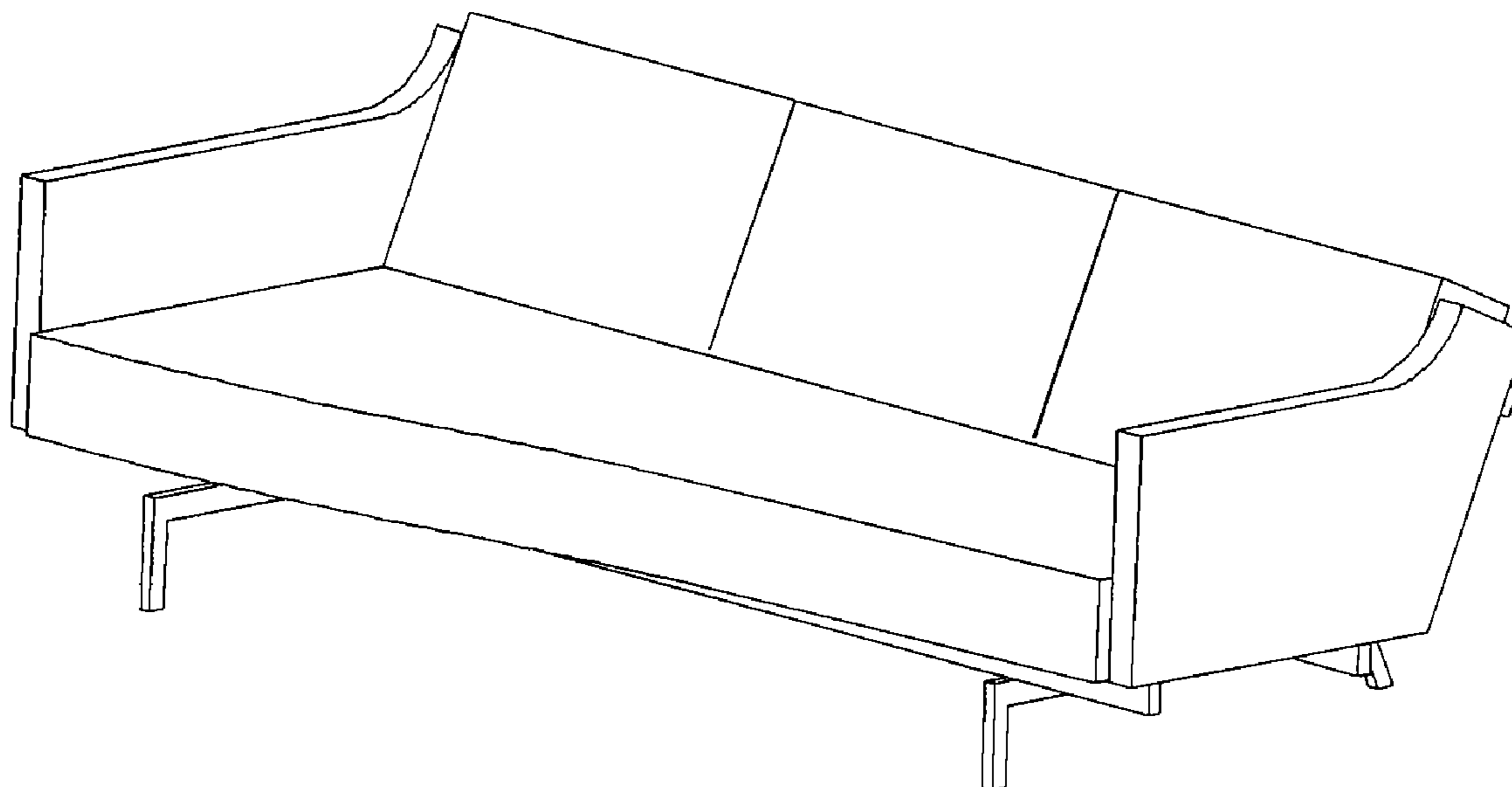


FIG. 1

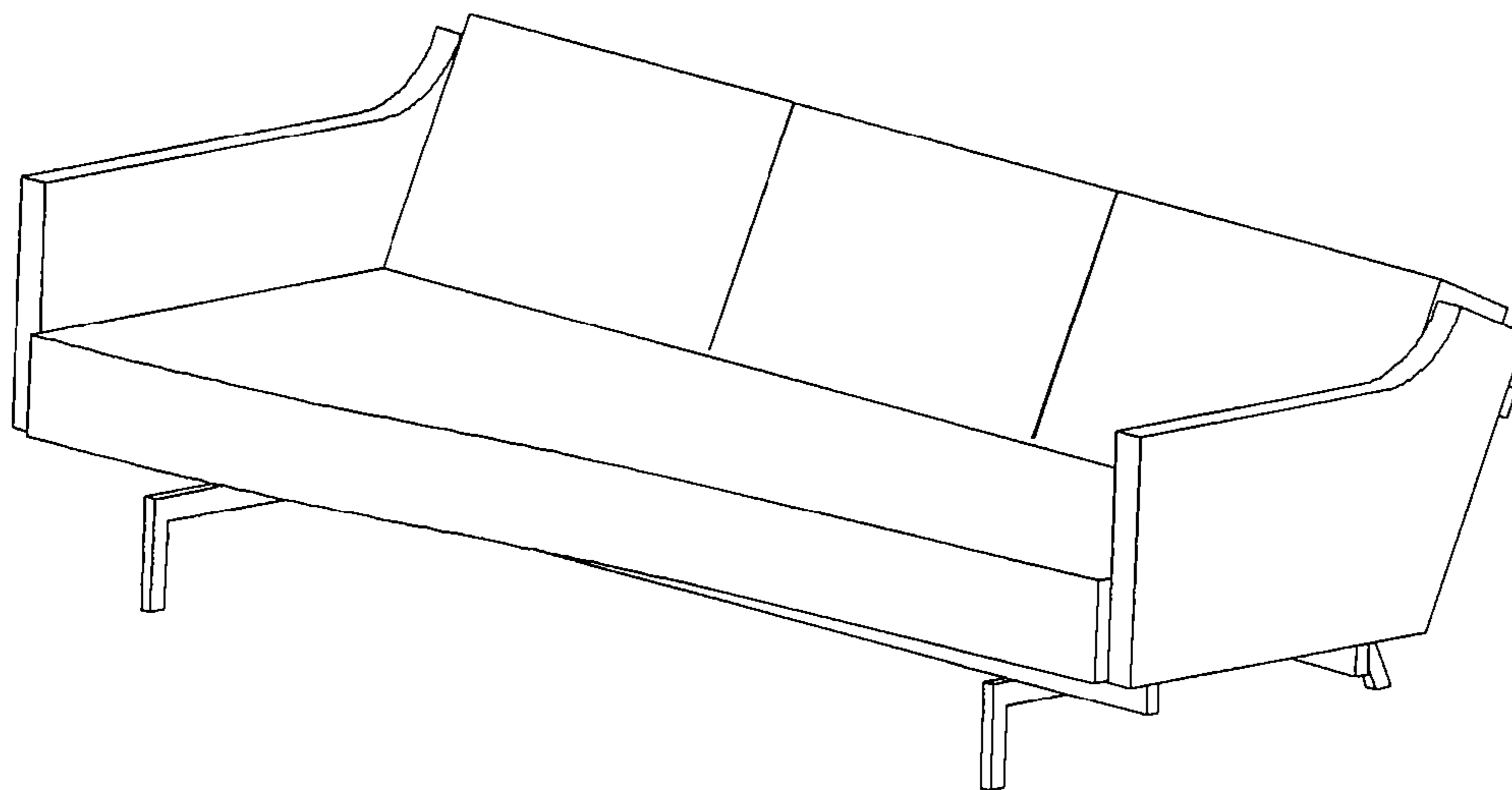


FIG. 2

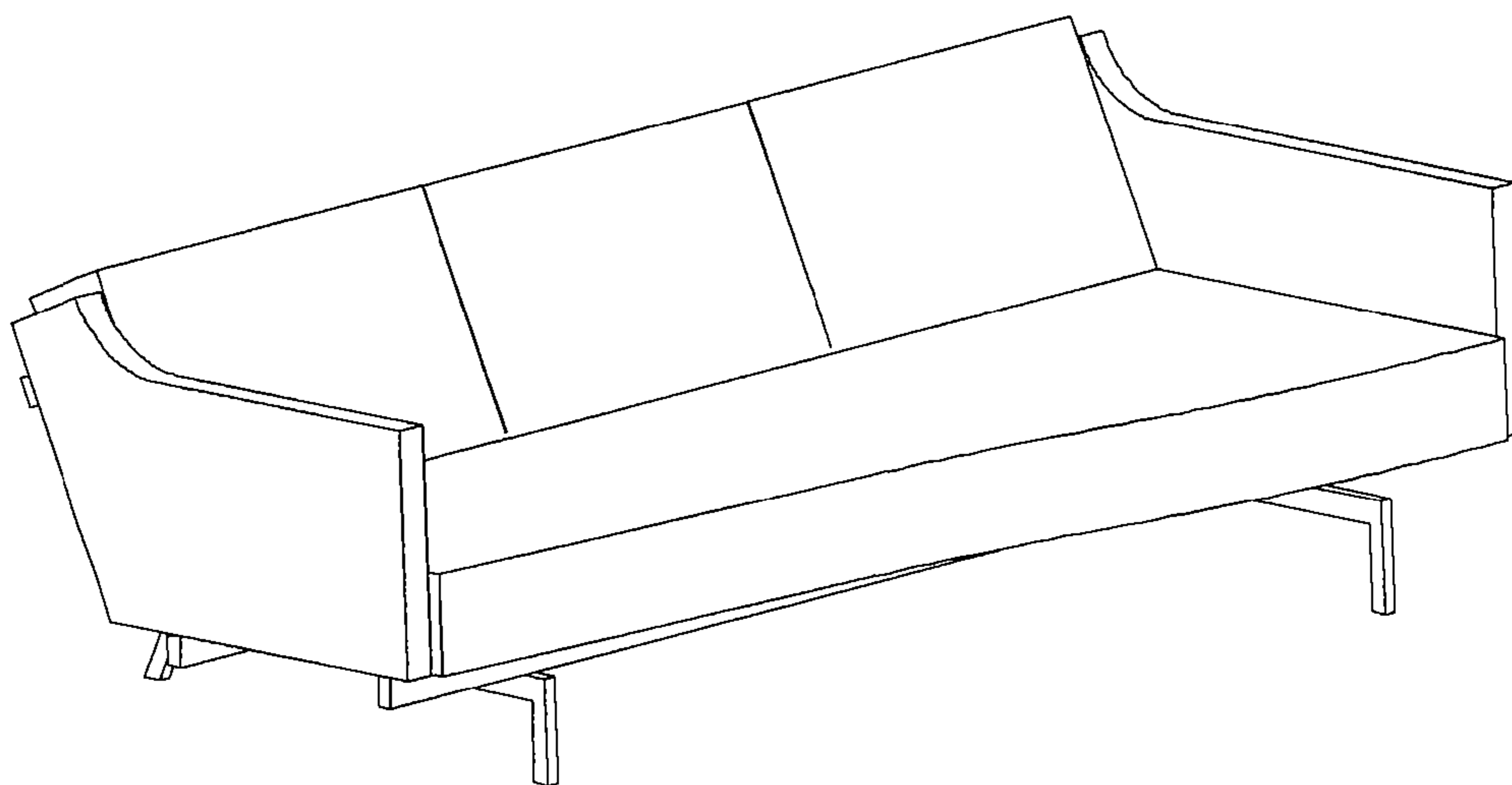


FIG. 3

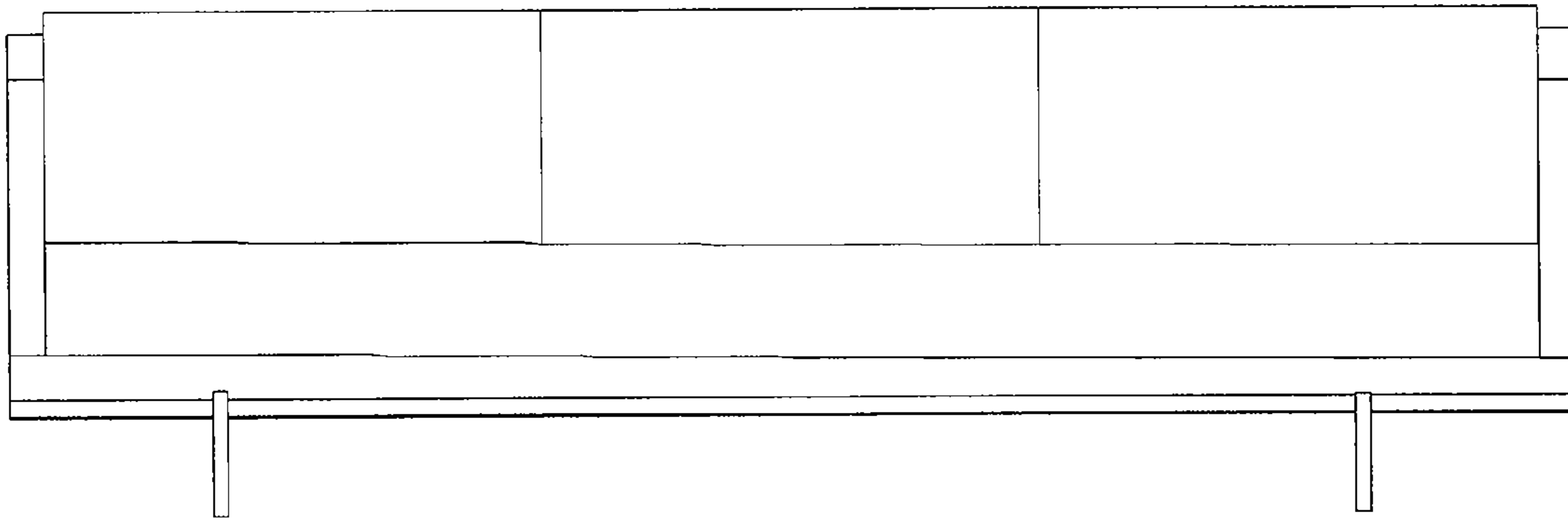


FIG. 4

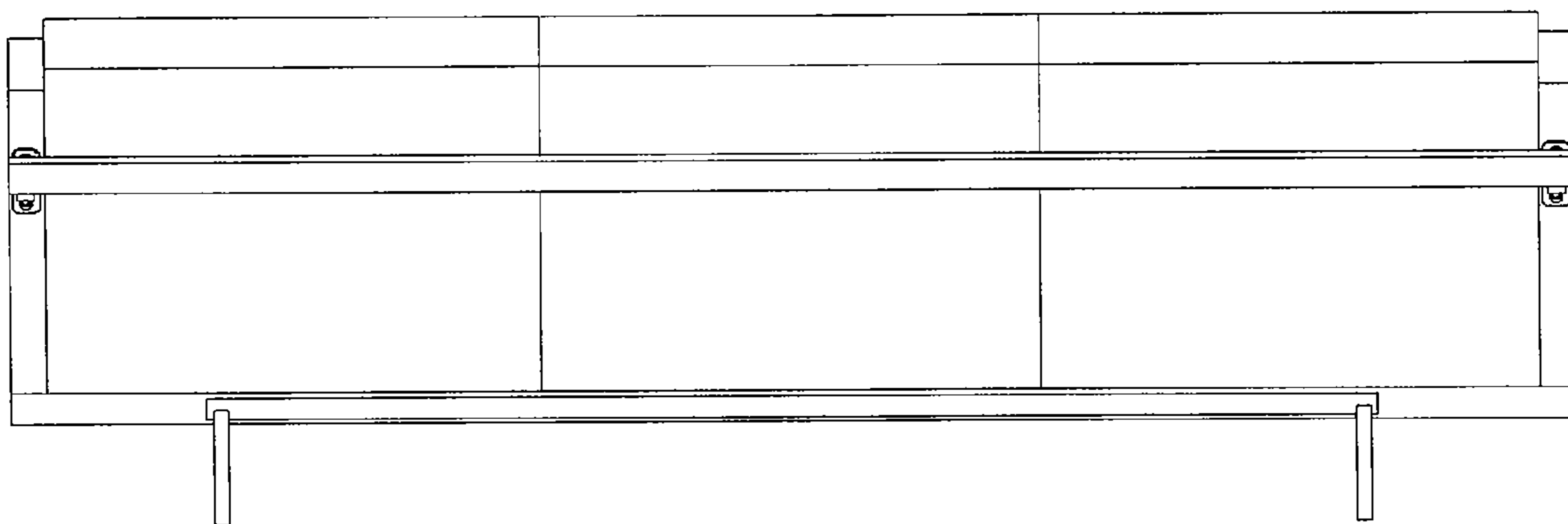


FIG. 5

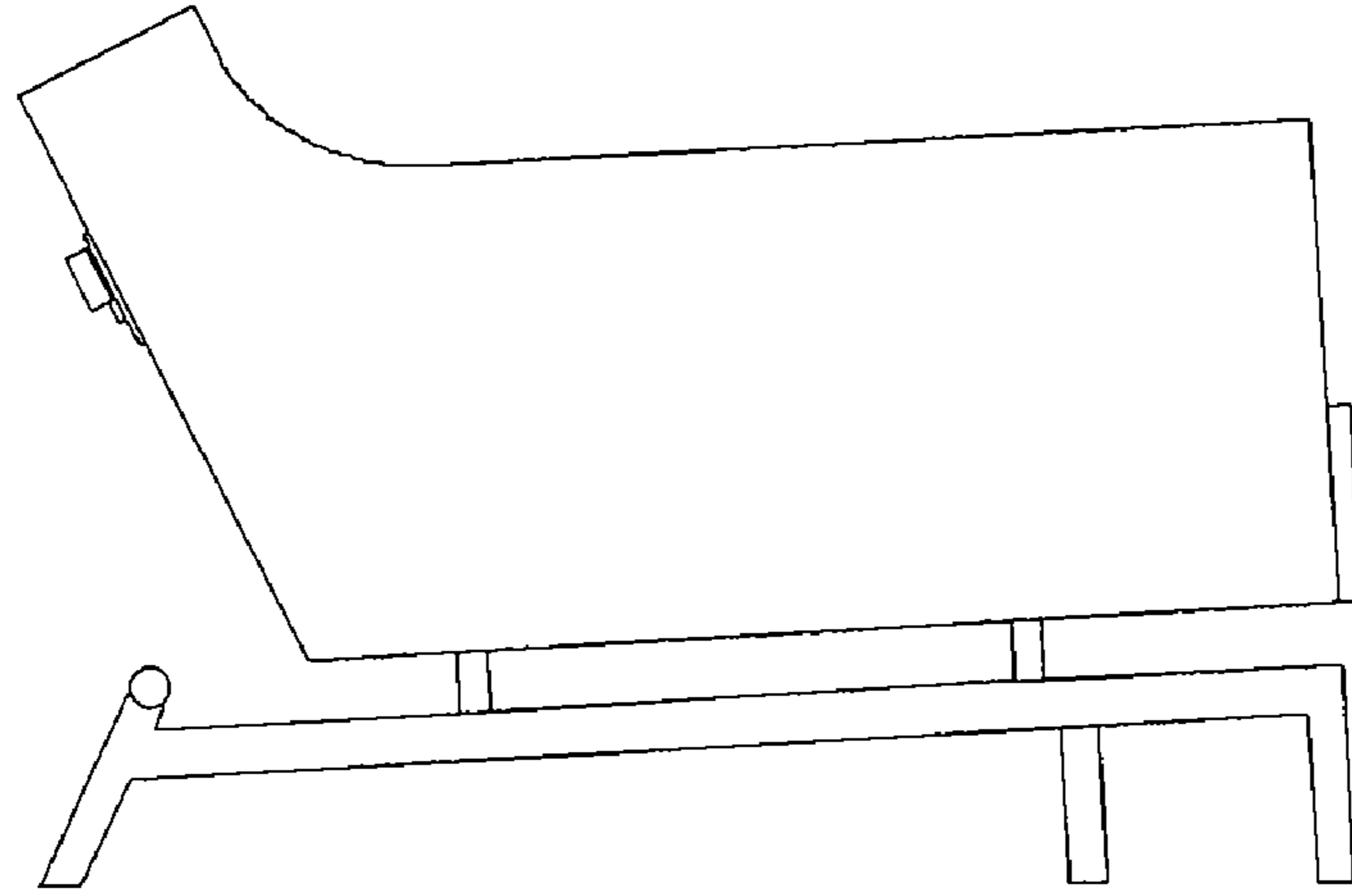


FIG. 6

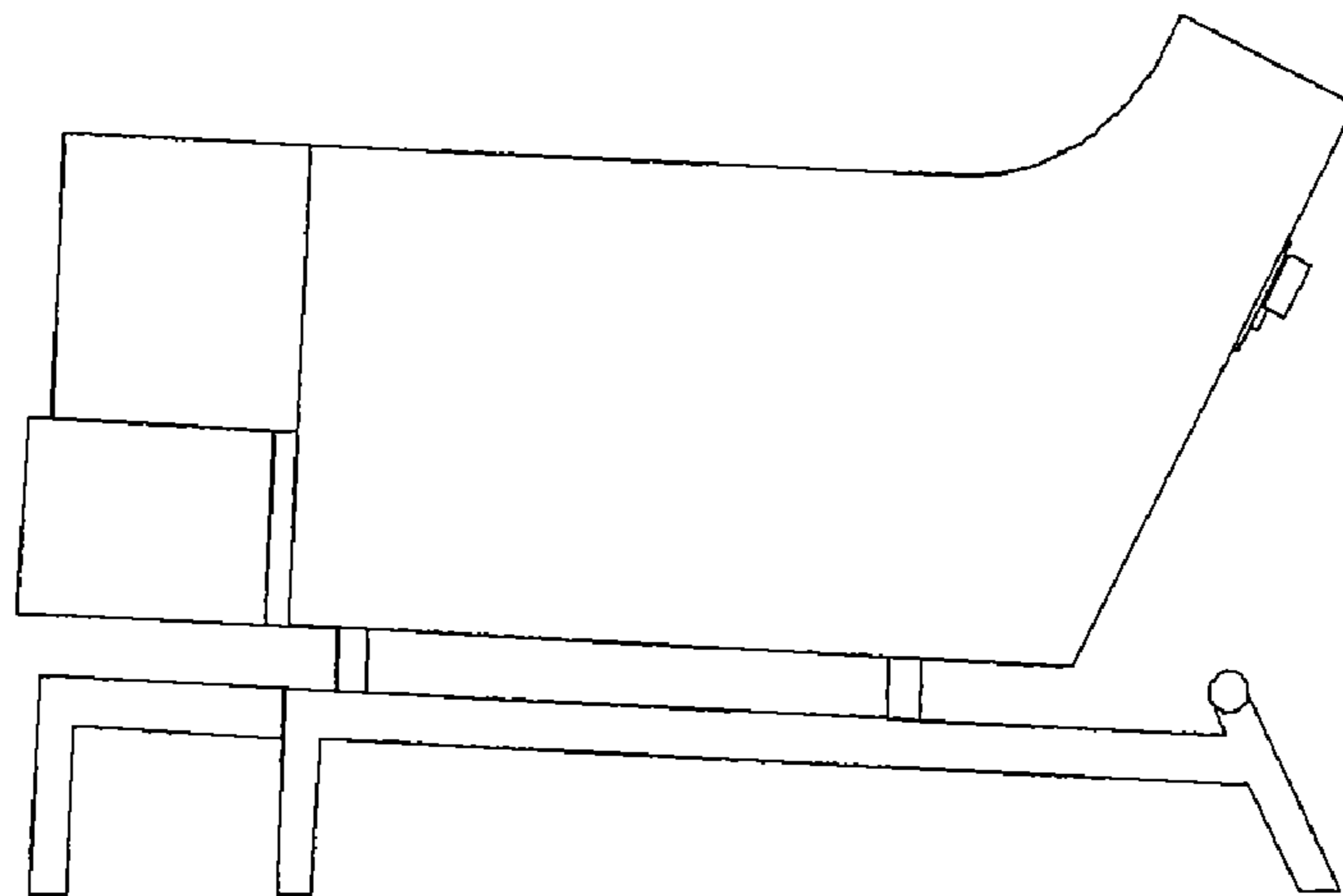


FIG. 7

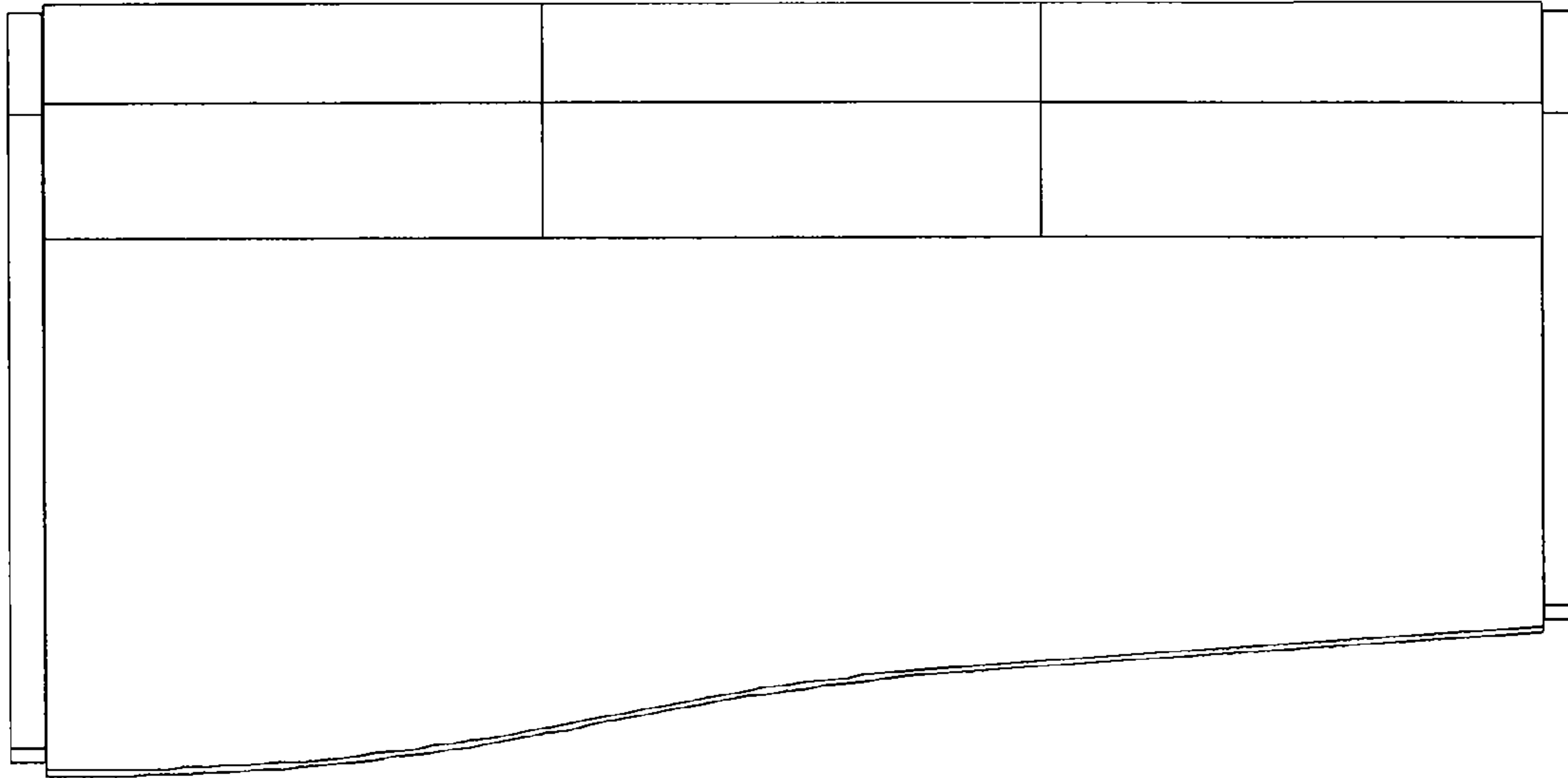


FIG. 8

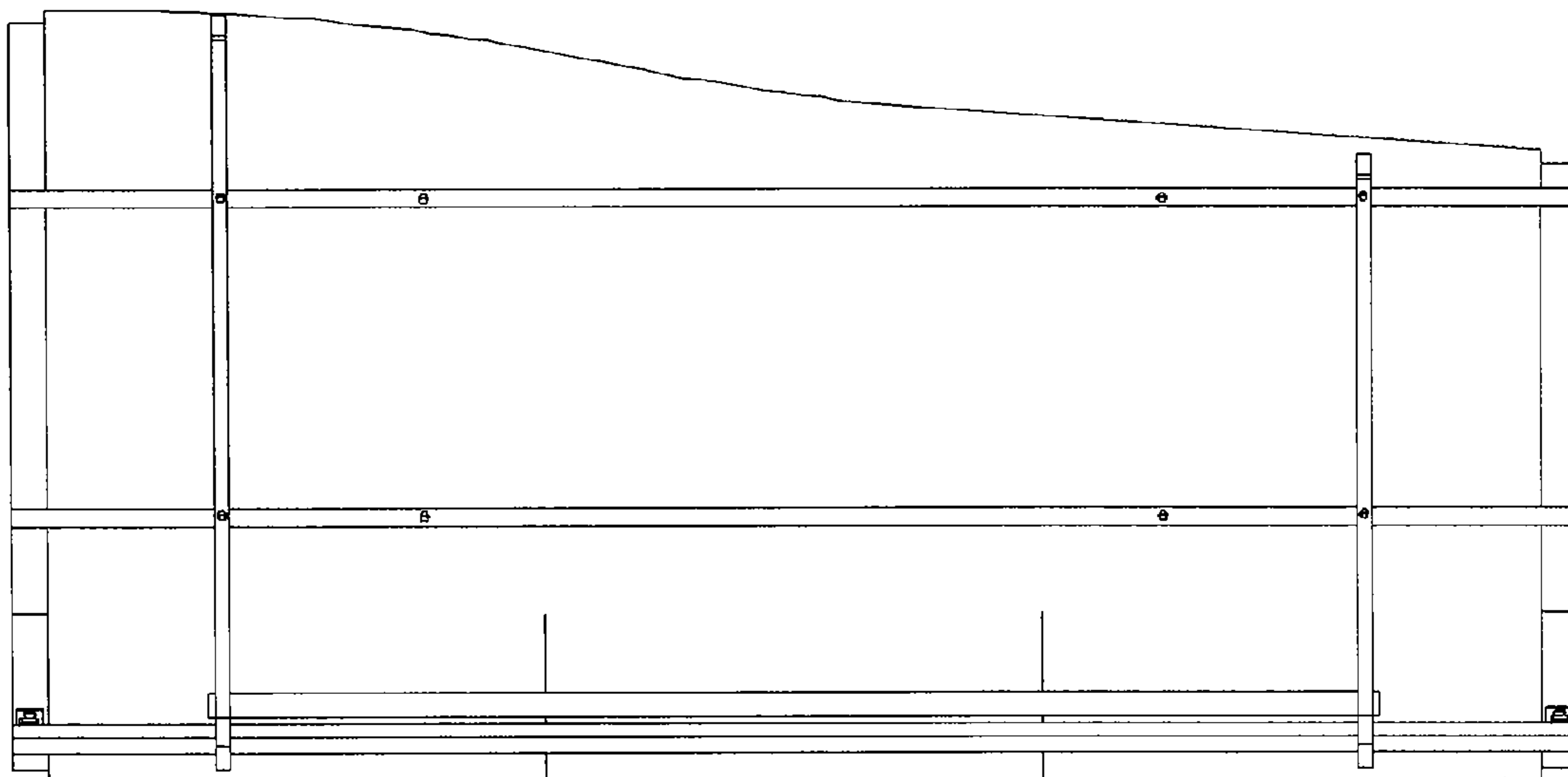


FIG. 9

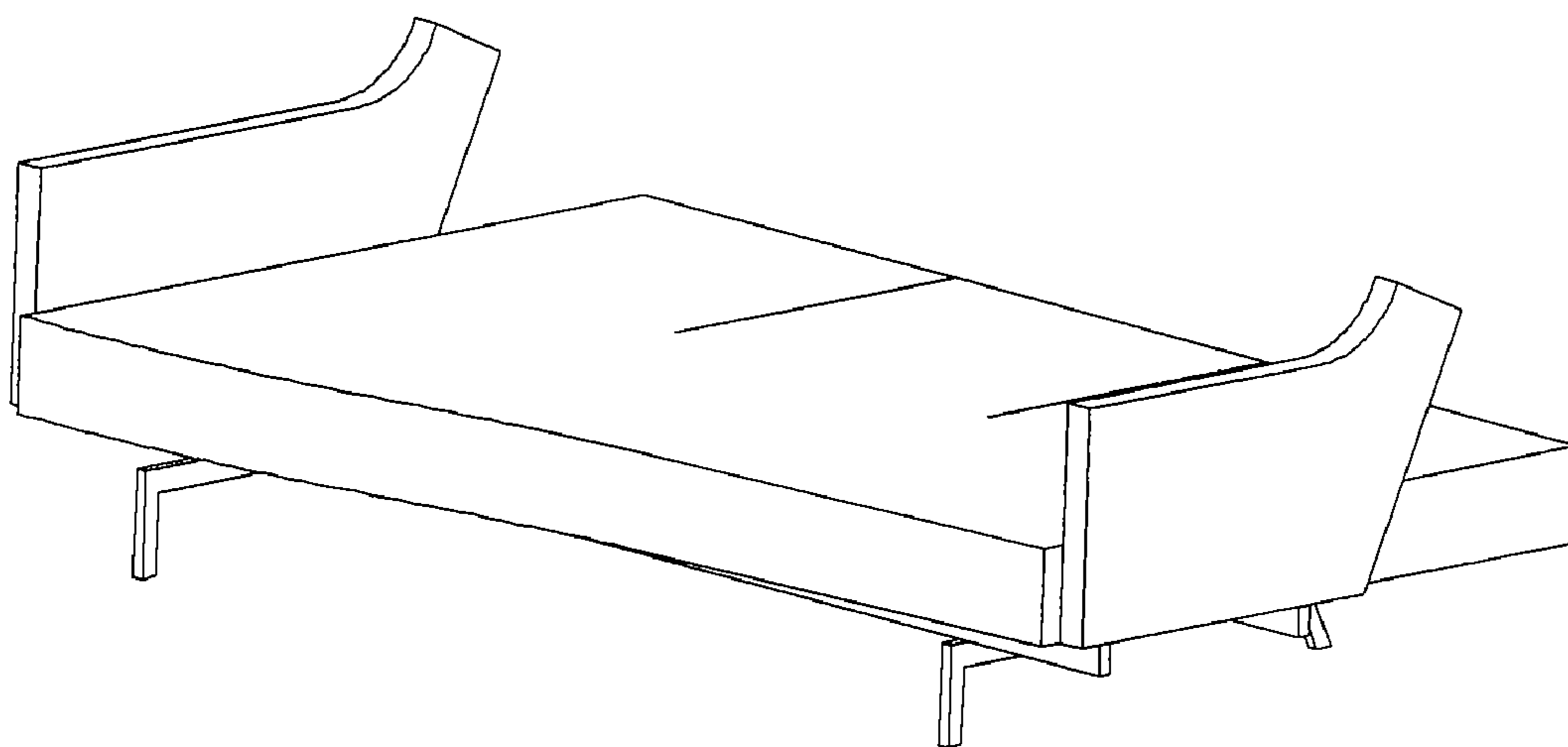


FIG. 10

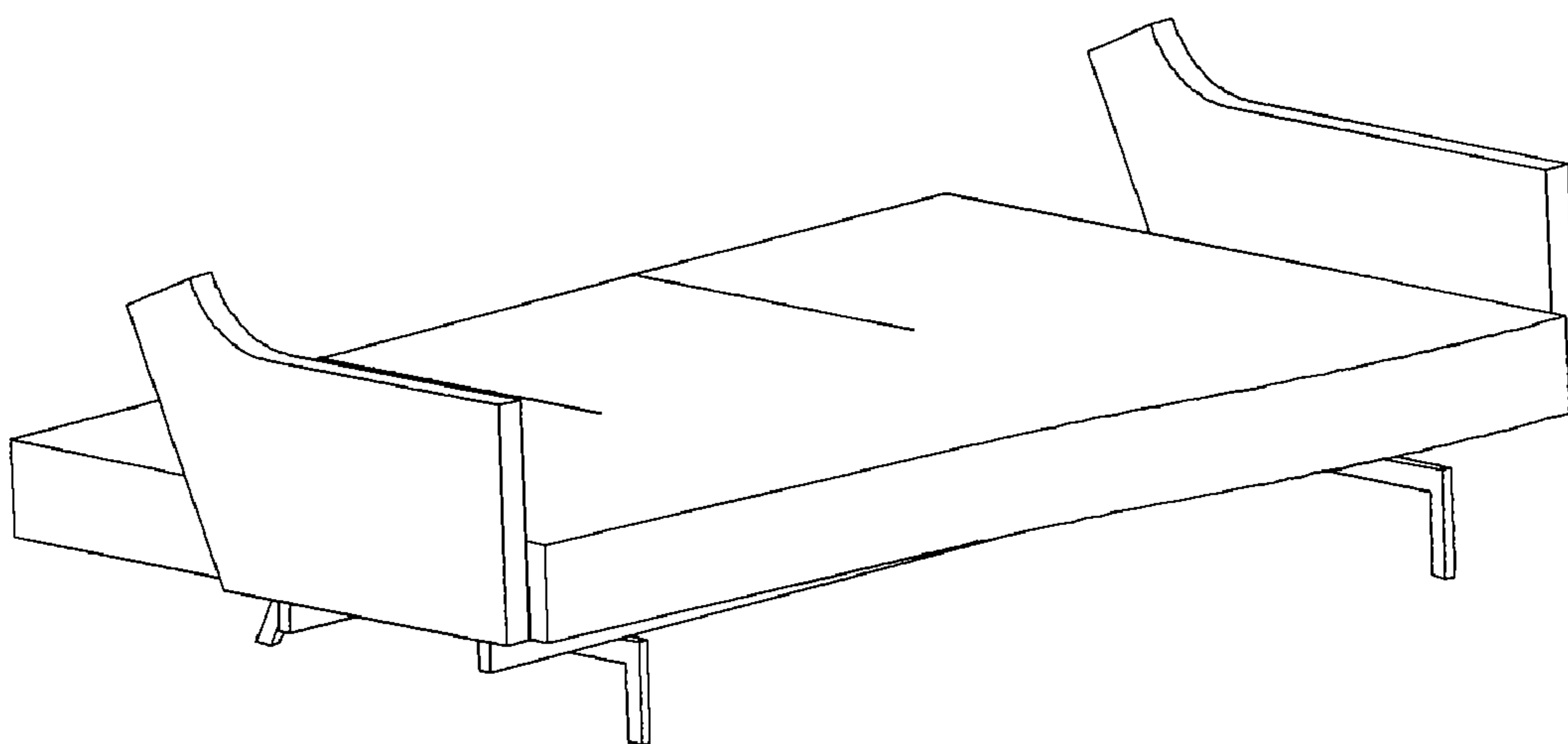


FIG. 11

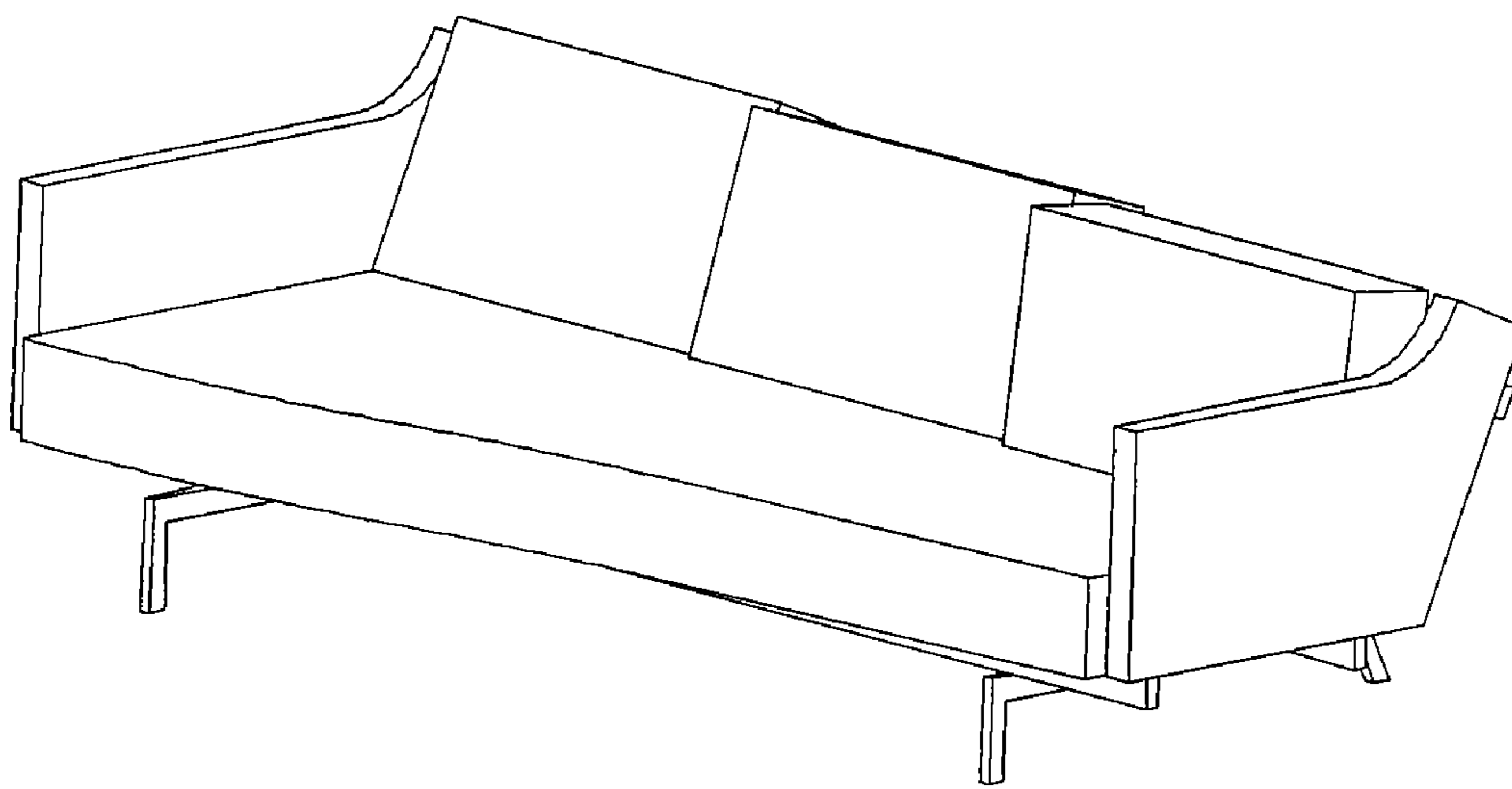


FIG. 12

