



US00D575543S

(12) **United States Design Patent**
Mastal

(10) **Patent No.:** **US D575,543 S**

(45) **Date of Patent:** **** Aug. 26, 2008**

(54) **SEATING UNIT**

(75) Inventor: **Wendy Mastal**, Rockwood, MI (US)

(73) Assignee: **LA-Z-Boy Incorporated**, Monroe, MI (US)

(**) Term: **14 Years**

(21) Appl. No.: **29/267,429**

(22) Filed: **Oct. 13, 2006**

(51) **LOC (8) Cl.** **06-01**

(52) **U.S. Cl.** **D6/381**

(58) **Field of Classification Search** D6/334,
D6/349, 355, 357, 367, 368, 370, 374-381,
D6/500-502; 297/175, 232, 233, 283.2,
297/283.3, 445.1, 448.1, 452.12, 452.38,
297/452.48, 461, 462; 5/12.1, 12.2; D12/345
See application file for complete search history.

(56) **References Cited**

U.S. PATENT DOCUMENTS

D390,371 S *	2/1998	Gibson	D6/381
D429,080 S *	8/2000	Natuzzi et al.	D6/381
D430,738 S *	9/2000	Zaidman	D6/334
D431,917 S *	10/2000	Natuzzi et al.	D6/334
D441,552 S *	5/2001	McCarthy	D6/334
D470,675 S *	2/2003	Ricci	D6/381
D474,911 S *	5/2003	Ricci	D6/381
D476,500 S *	7/2003	Ricci	D6/381
D497,057 S *	10/2004	Ricci	D6/381
D504,025 S *	4/2005	Ricci	D6/334

OTHER PUBLICATIONS

Natuzzi sofa #1824, International Home Furnishings Market, High Point, NC, Apr. 1999.*

Natuzzi sofa #956, International Home Furnishings Market, High Point, NC, Oct. 1992.*

Natuzzi sofa #1378, International Home Furnishings Market, High Point, NC, Oct. 1995.*

Natuzzi sofa #1517, International Home Furnishings Market, High Point, NC, Oct. 1996.*

Natuzzi sofa # 1100, International Home Furnishings Market, High Point, NC, Oct. 1993.*

* cited by examiner

Primary Examiner—Sandra Snapp

(74) *Attorney, Agent, or Firm*—Harness, Dickey & Pierce, P.L.C.

(57) **CLAIM**

The ornamental design for a seating unit, as shown and described.

DESCRIPTION

FIG. 1 is a front perspective view of a seating unit in accordance with a first embodiment of the present invention;

FIG. 2 is a left side elevational view of the seating unit shown in FIG. 1, the right side elevational view being a mirror image thereof;

FIG. 3 is a front elevational view of the seating unit shown in FIG. 1;

FIG. 4 is a top plan view of the seating unit shown in FIG. 1, the bottom plan view of the seating unit is not illustrated as it forms no part of the present invention;

FIG. 5 is a back elevational view of the seating unit of FIG. 1;

FIG. 6 is a front perspective view of a seating unit in accordance with a second embodiment of the present invention;

FIG. 7 is a left side view elevational view of the seating unit shown in FIG. 6, the right side elevational view being a mirror image thereof;

FIG. 8 is a front elevational view of the seating unit shown in FIG. 6;

FIG. 9 is a top plan view of the seating unit shown in FIG. 6, the bottom plan view is not illustrated as it forms no part of the present invention;

FIG. 10 is a back elevational view of the seating unit of FIG. 6;

FIG. 11 is a front perspective view of a seating unit in accordance with a third embodiment of the present invention;

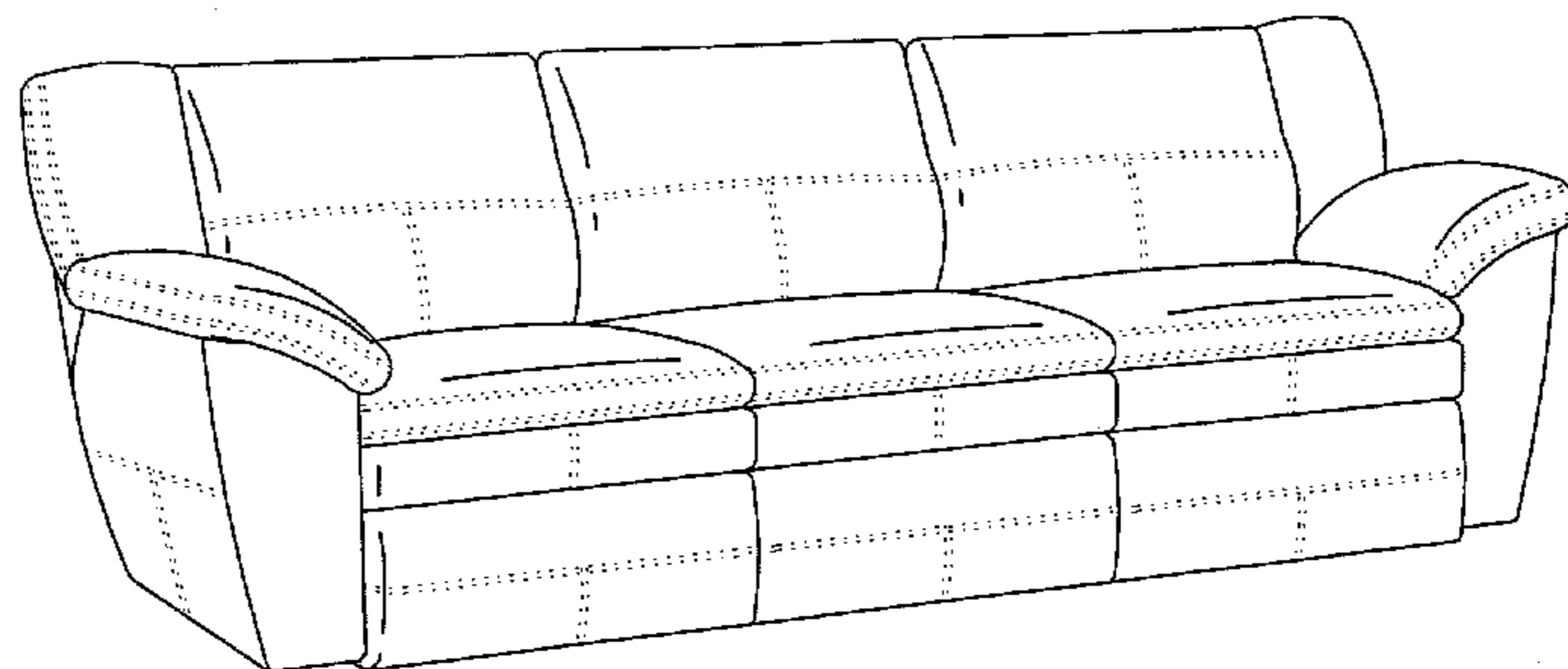
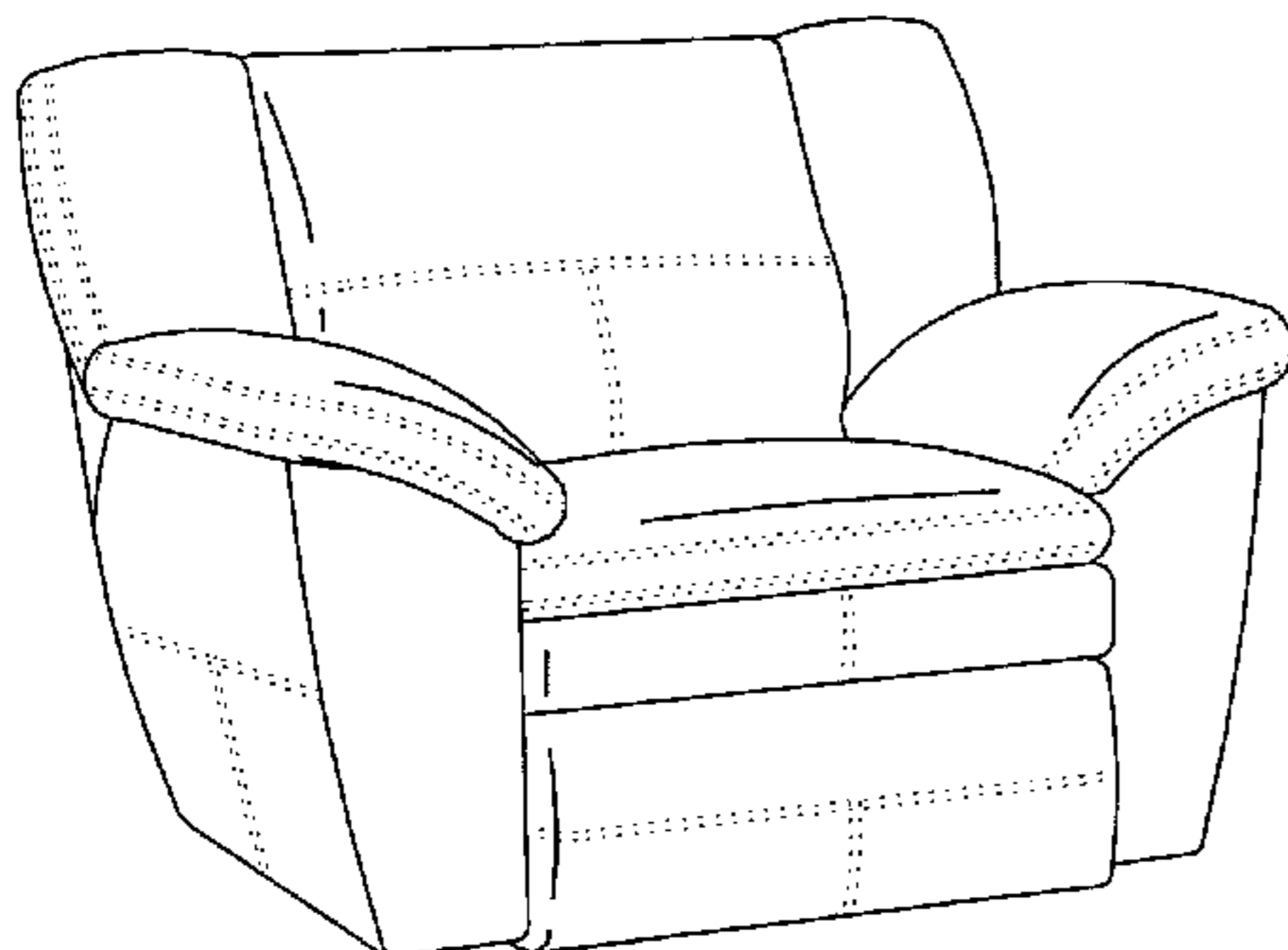


FIG. 12 is a left side elevational view of the seating unit shown in FIG. 11, the right side elevational view being a mirror image thereof;

FIG. 13 is a front elevational view of the seating unit shown in FIG. 11;

FIG. 14 is a top plan view of the seating unit shown in FIG. 11, the bottom plan view of the seating unit is not illustrated as it forms no part of the present invention; and

FIG. 15 is a back elevational view of the seating unit of FIG. 11.

FIG. 16 is a front perspective view of a seating unit in accordance with a fourth embodiment of the present invention;

FIG. 17 is a left side elevational view of the seating unit shown in FIG. 16, the right side elevational view being a mirror image thereof;

FIG. 18 is a front elevational view of the seating unit shown in FIG. 16;

FIG. 19 is a top plan view of the seating unit shown in FIG. 16, the bottom plan view of the seating unit is not illustrated as it forms no part of the present invention;

FIG. 20 is a back elevational view of the seating unit of FIG. 16;

FIG. 21 is a front perspective view of a seating unit in accordance with a fifth embodiment of the present invention;

FIG. 22 is a left side view elevational view of the seating unit shown in FIG. 21, the right side elevational view being a mirror image thereof;

FIG. 23 is a front elevational view of the seating unit shown in FIG. 21;

FIG. 24 is a top plan view of the seating unit shown in FIG. 21, the bottom plan view is not illustrated as it forms no part of the present invention;

FIG. 25 is a back elevational view of the seating unit of FIG. 21;

FIG. 26 is a front perspective view of a seating unit in accordance with a sixth embodiment of the present invention;

FIG. 27 is a left side elevational view of the seating unit shown in FIG. 26, the right side elevational view being a mirror image thereof;

FIG. 28 is a front elevational view of the seating unit shown in FIG. 26;

FIG. 29 is a top plan view of the seating unit shown in FIG. 26, the bottom plan view of the seating unit is not illustrated as it forms no part of the present invention; and,

FIG. 30 is a back elevational view of the seating unit of FIG. 26.

It will be understood that the broken lines shown in FIGS. 2, 7, 12, 17, 22 and 27 illustrate structure associated with the present invention but form no part of the claimed design.

The dotted lines shown in all Figures, except FIGS. 20, 25, and 30, represent stitching detail.

1 Claim, 16 Drawing Sheets

FIG 1

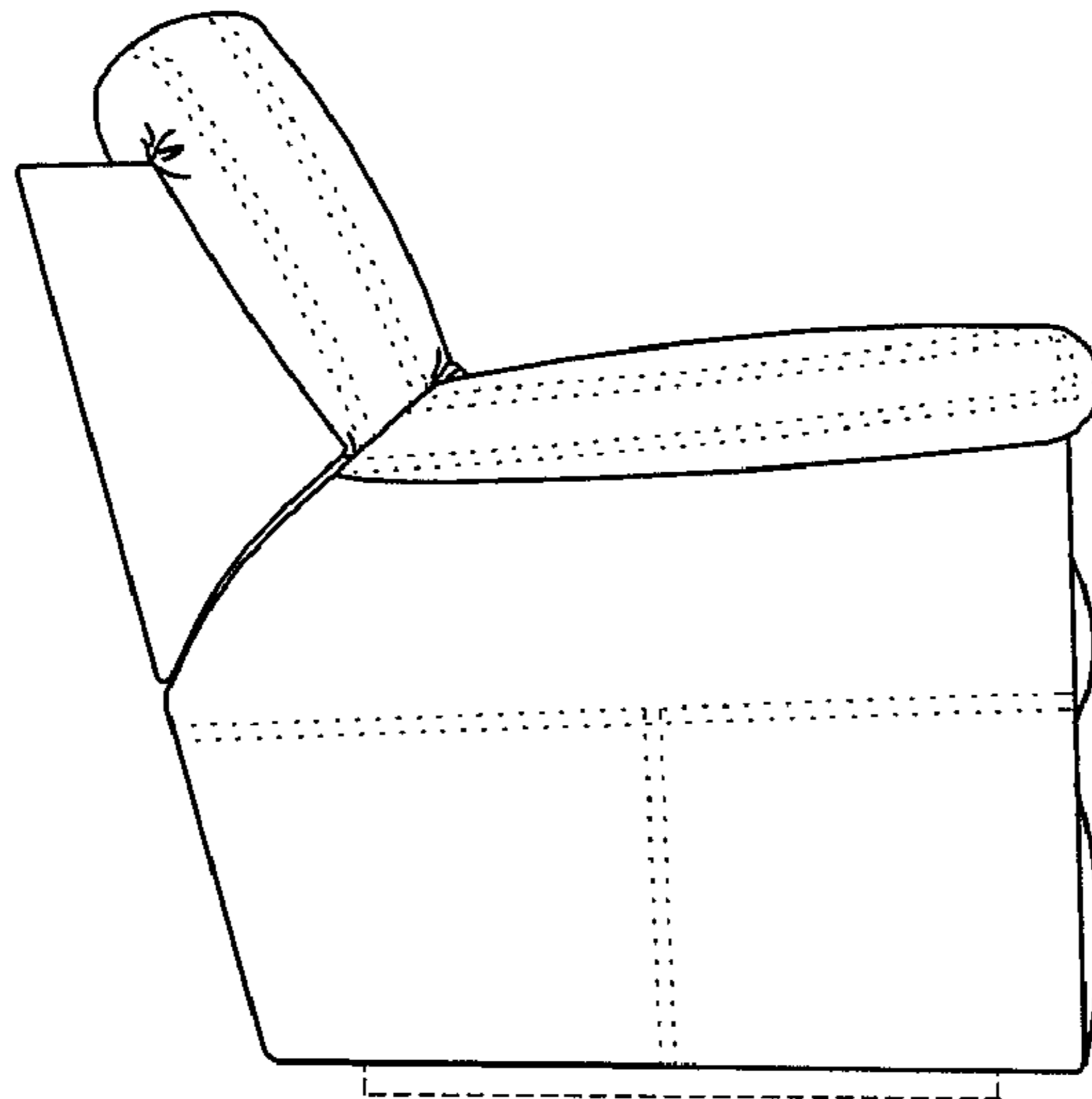
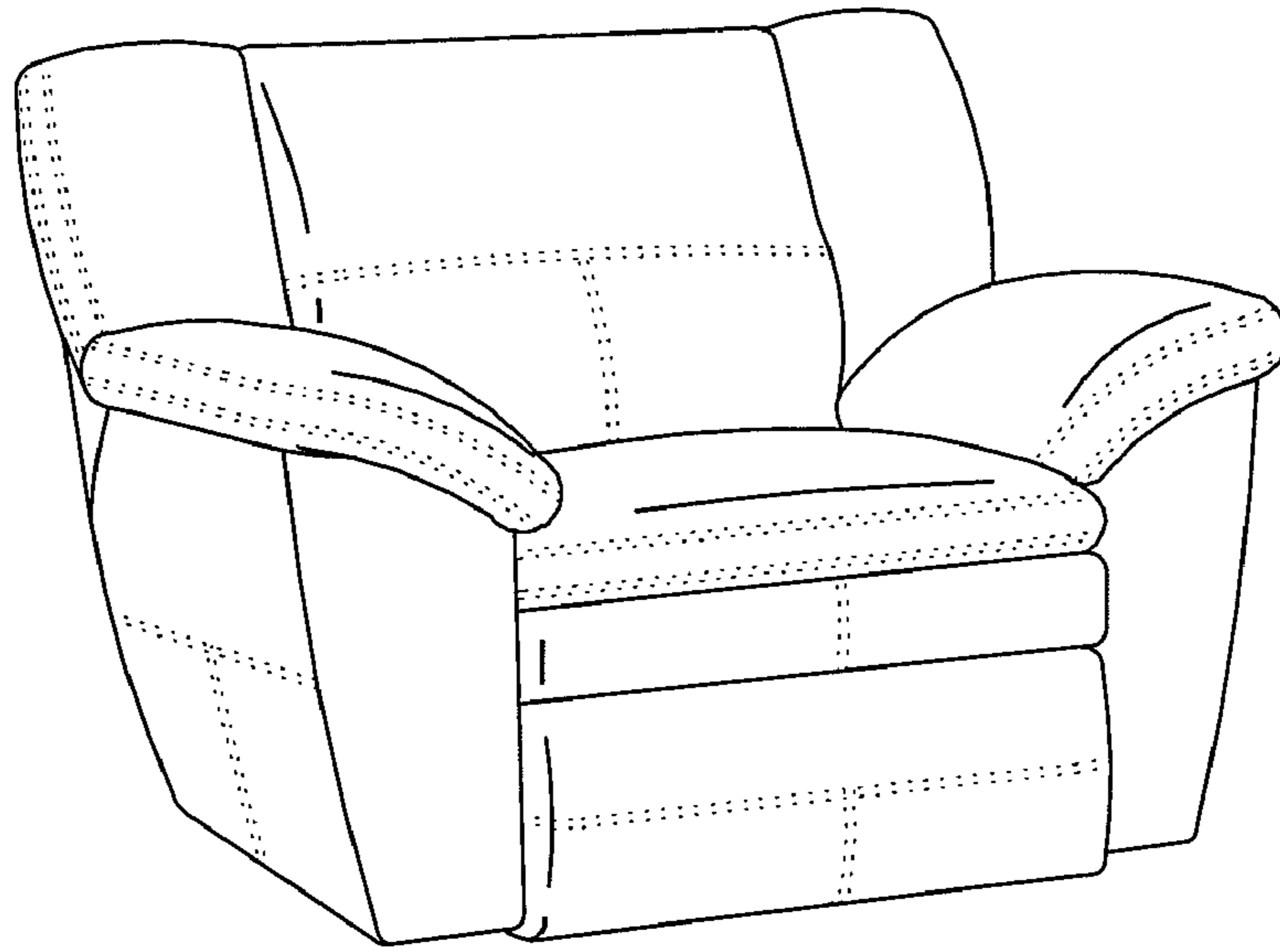


FIG 2

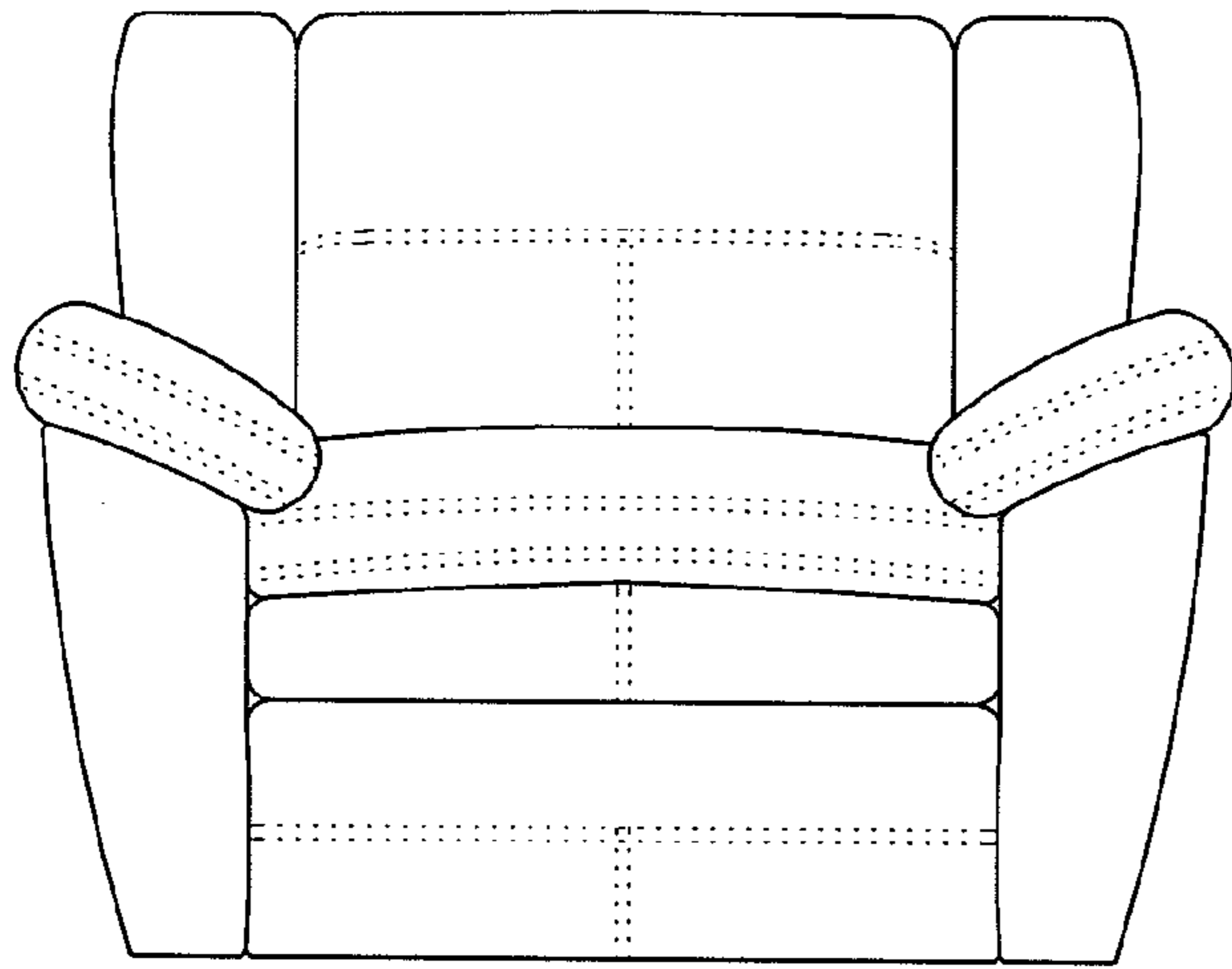


FIG 3

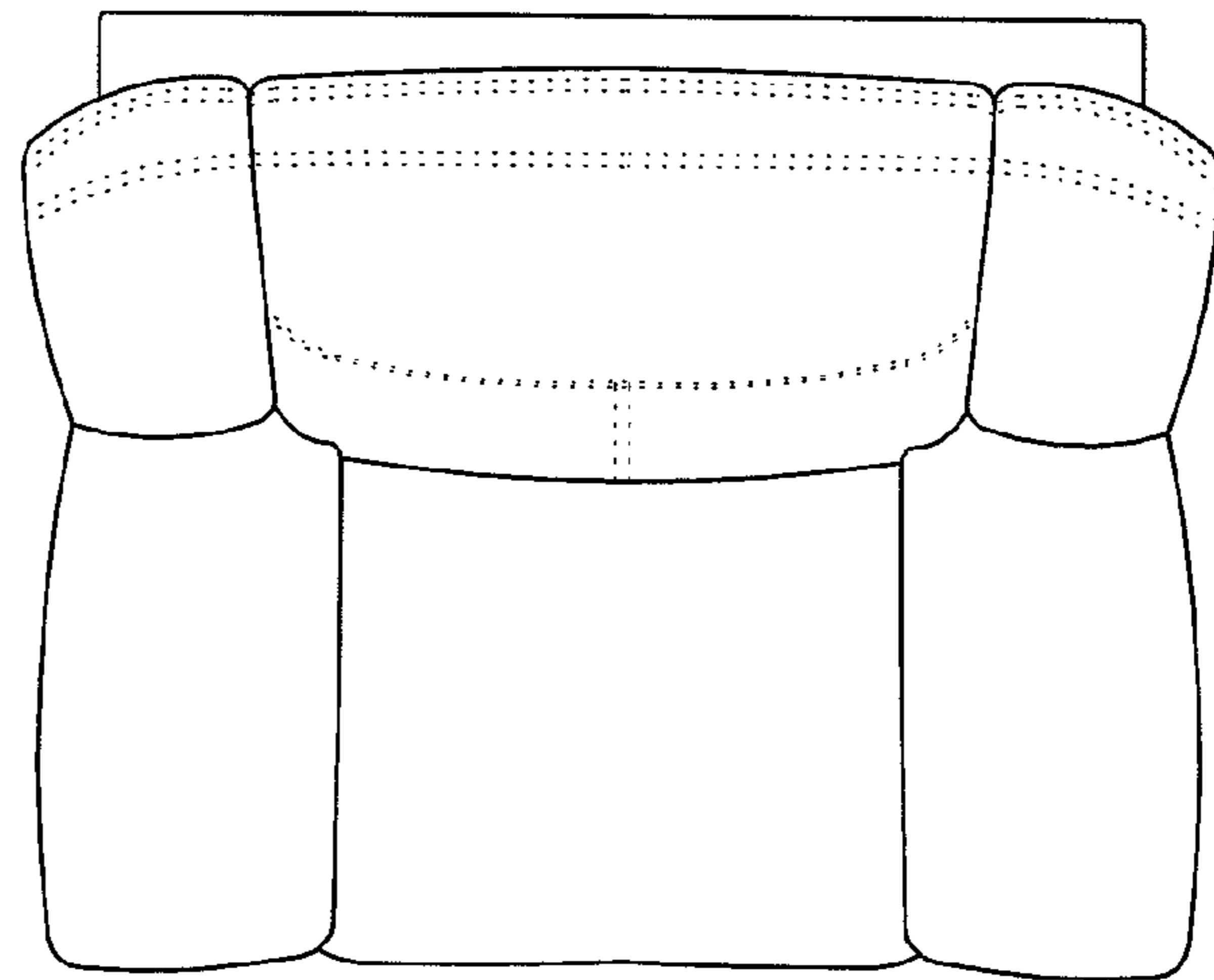


FIG 4

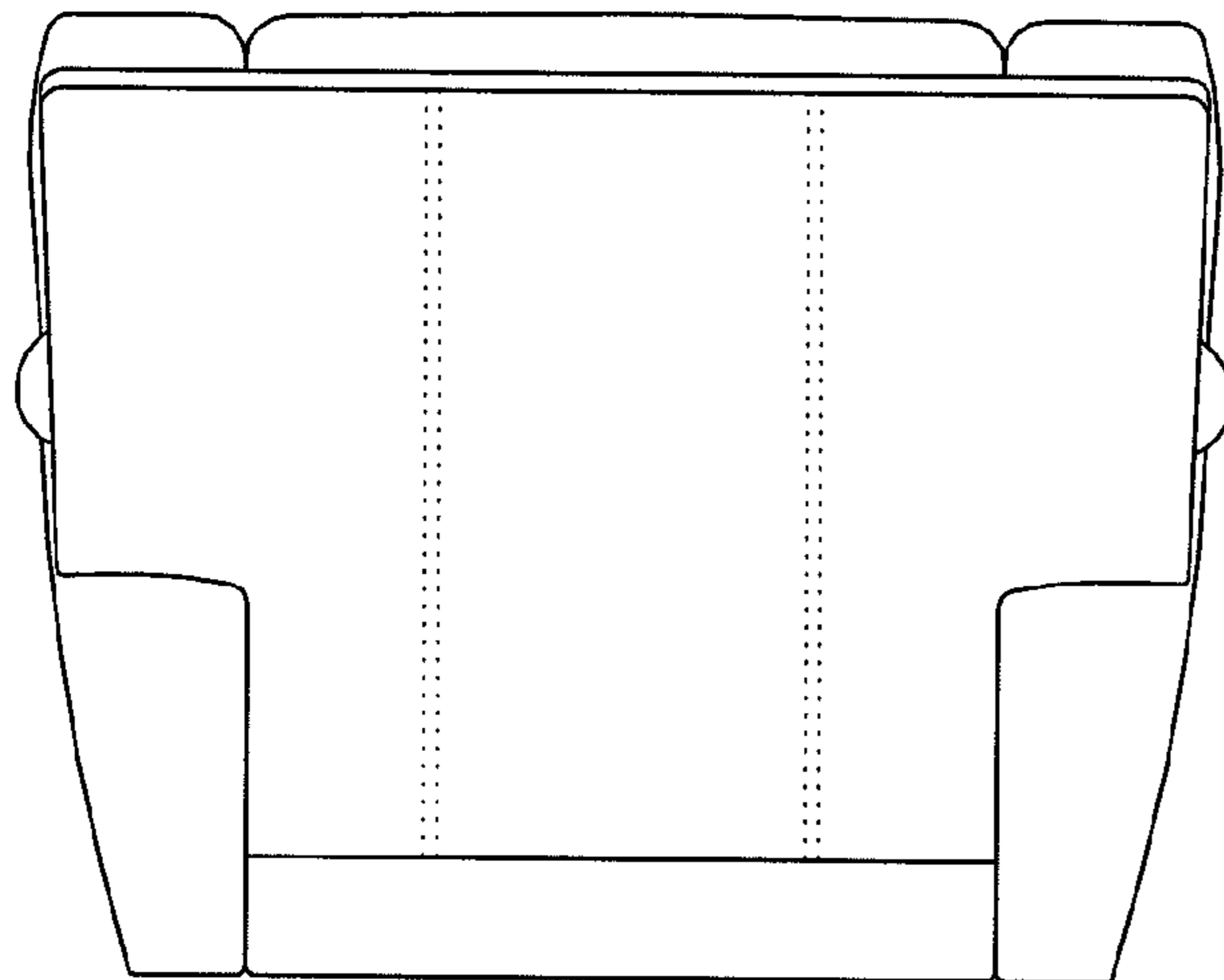


FIG 5

FIG 6

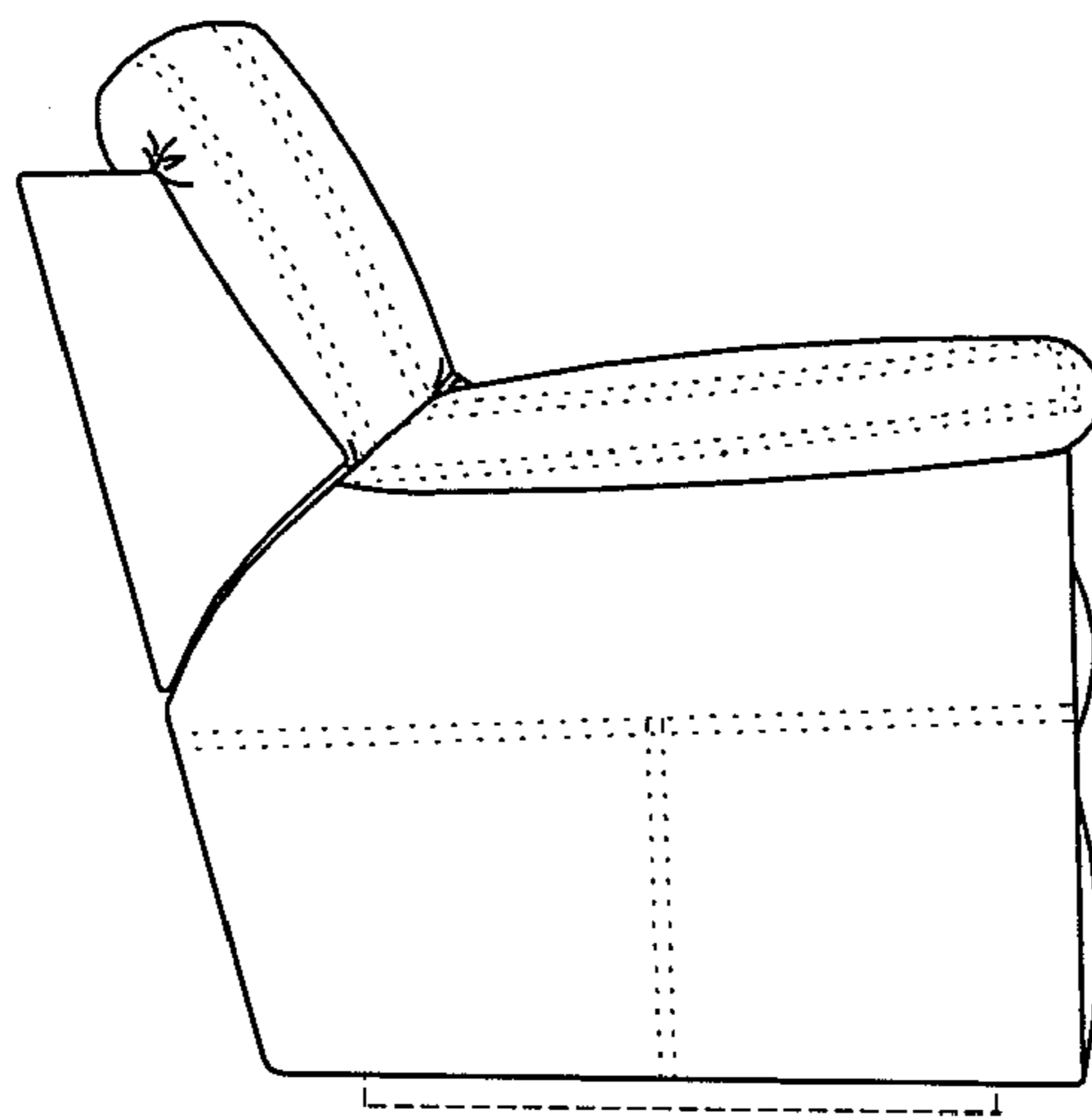
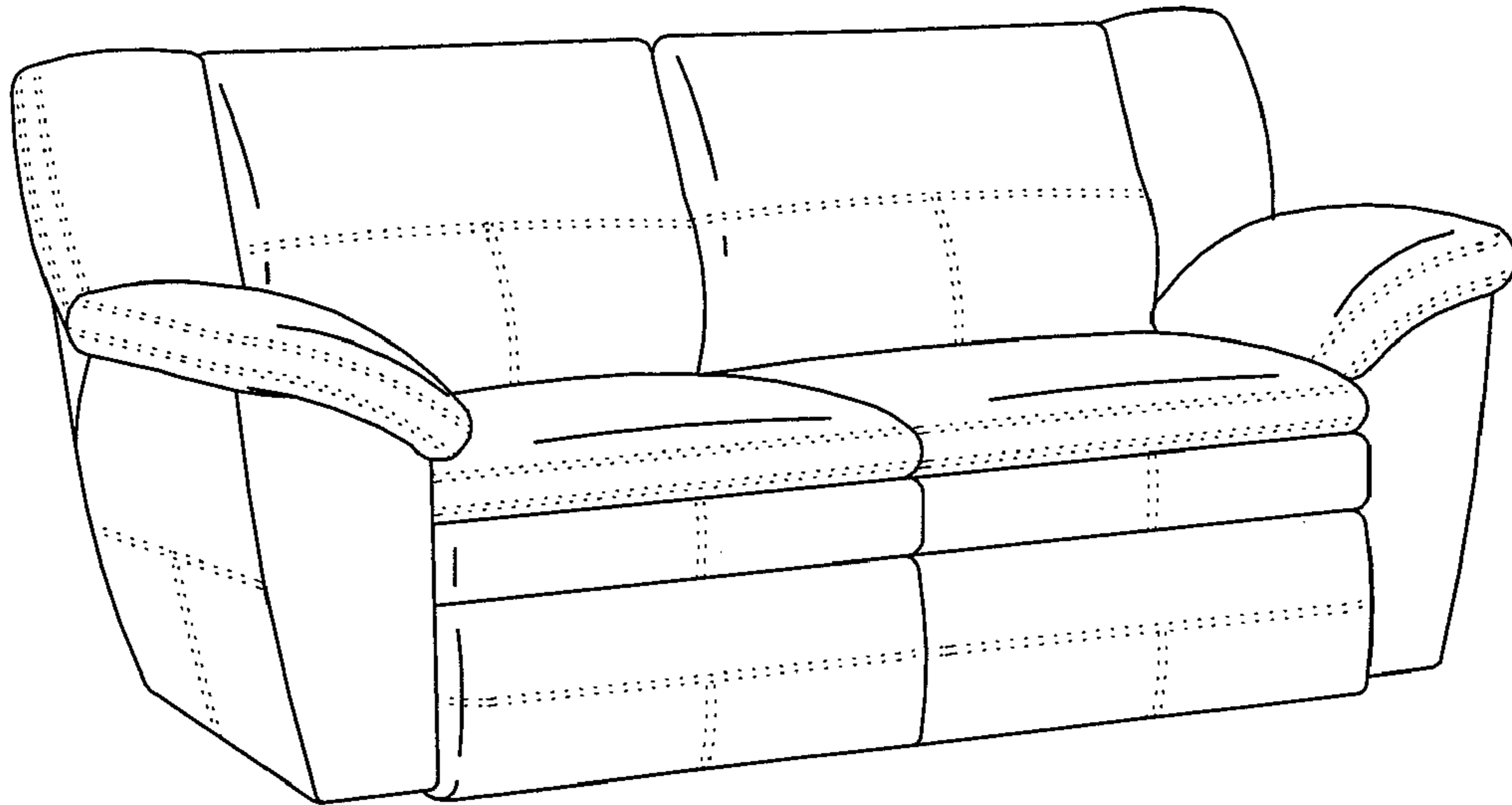


FIG 7

FIG 8

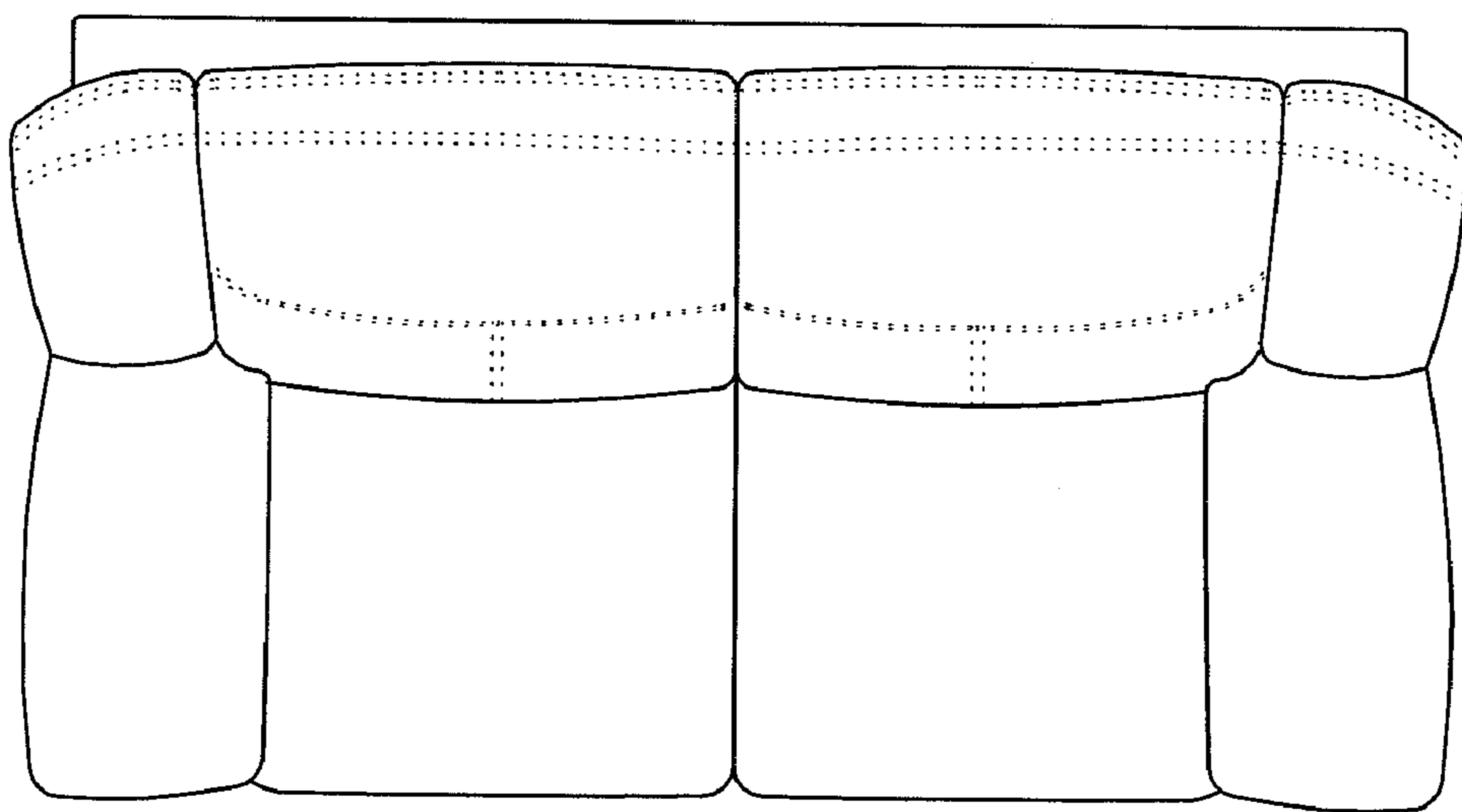
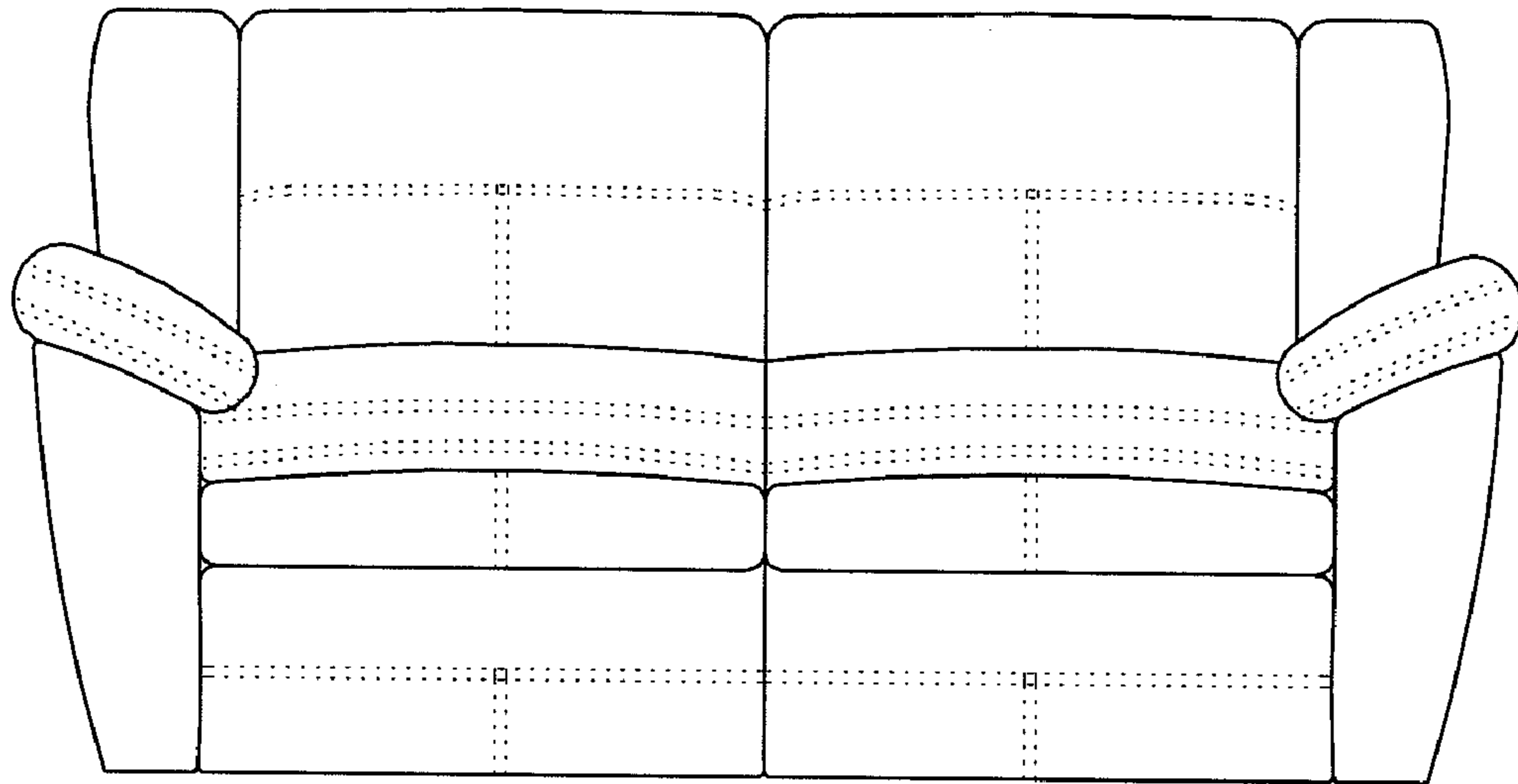


FIG 9

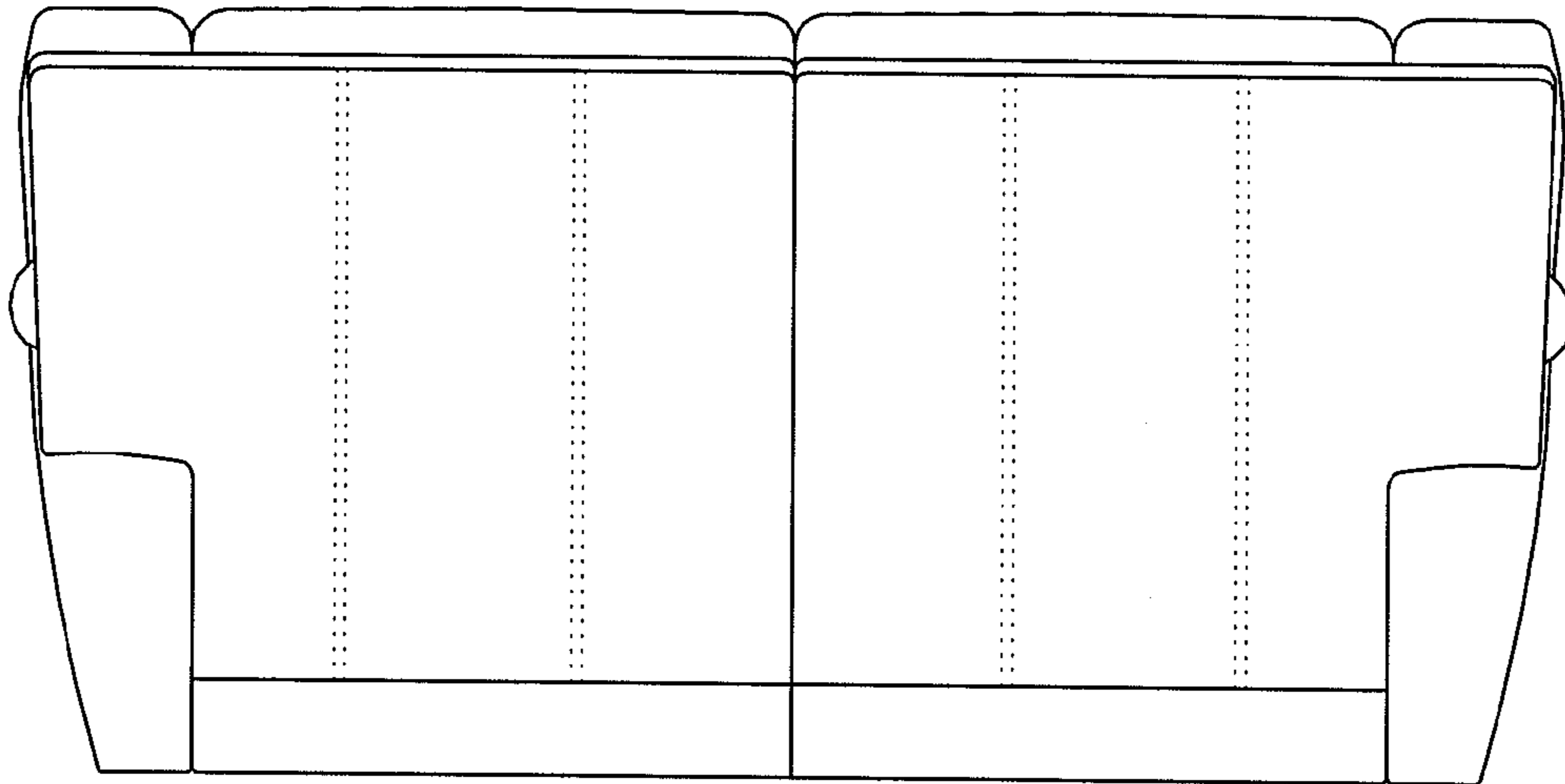


FIG 10

FIG 11

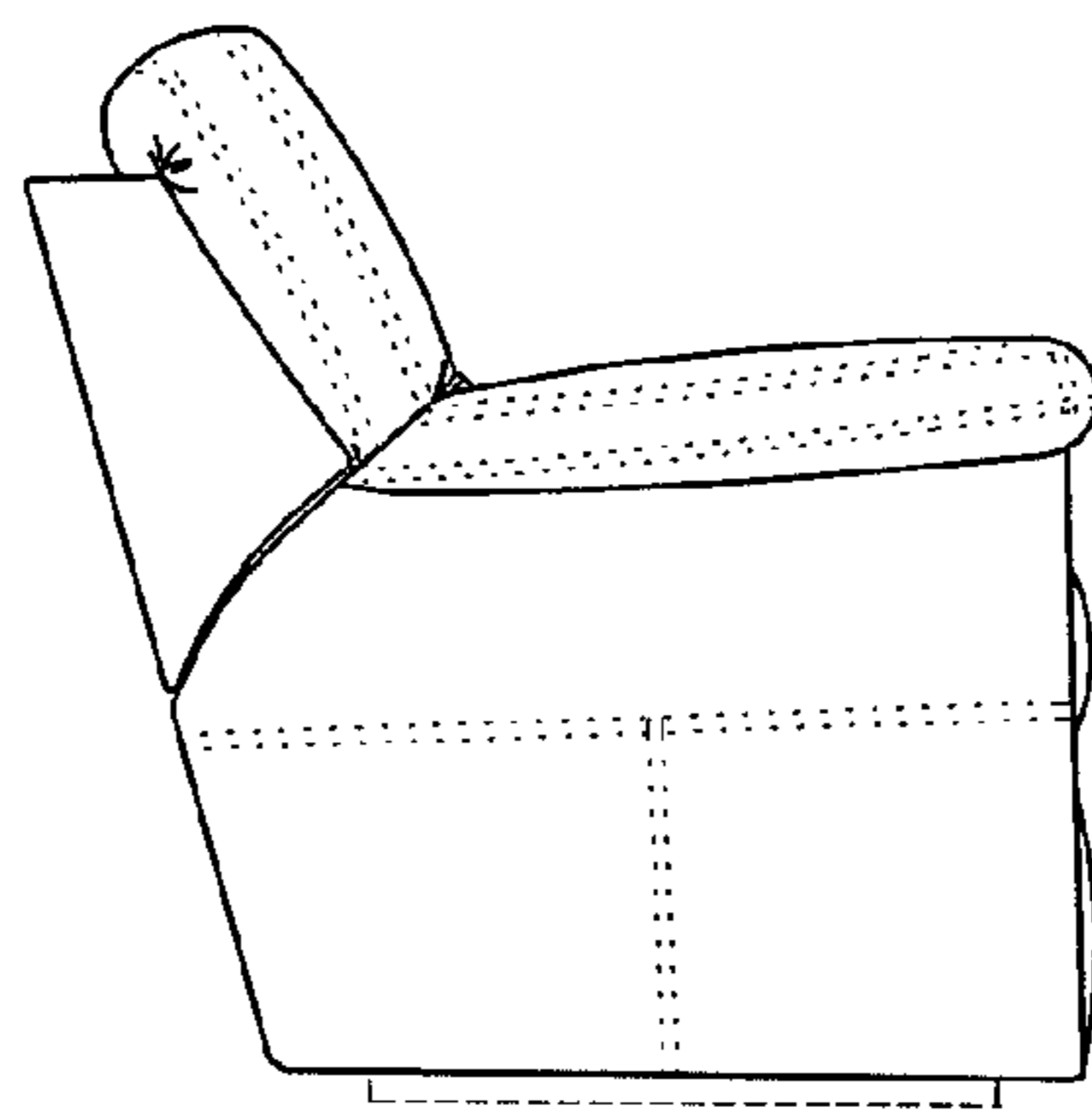
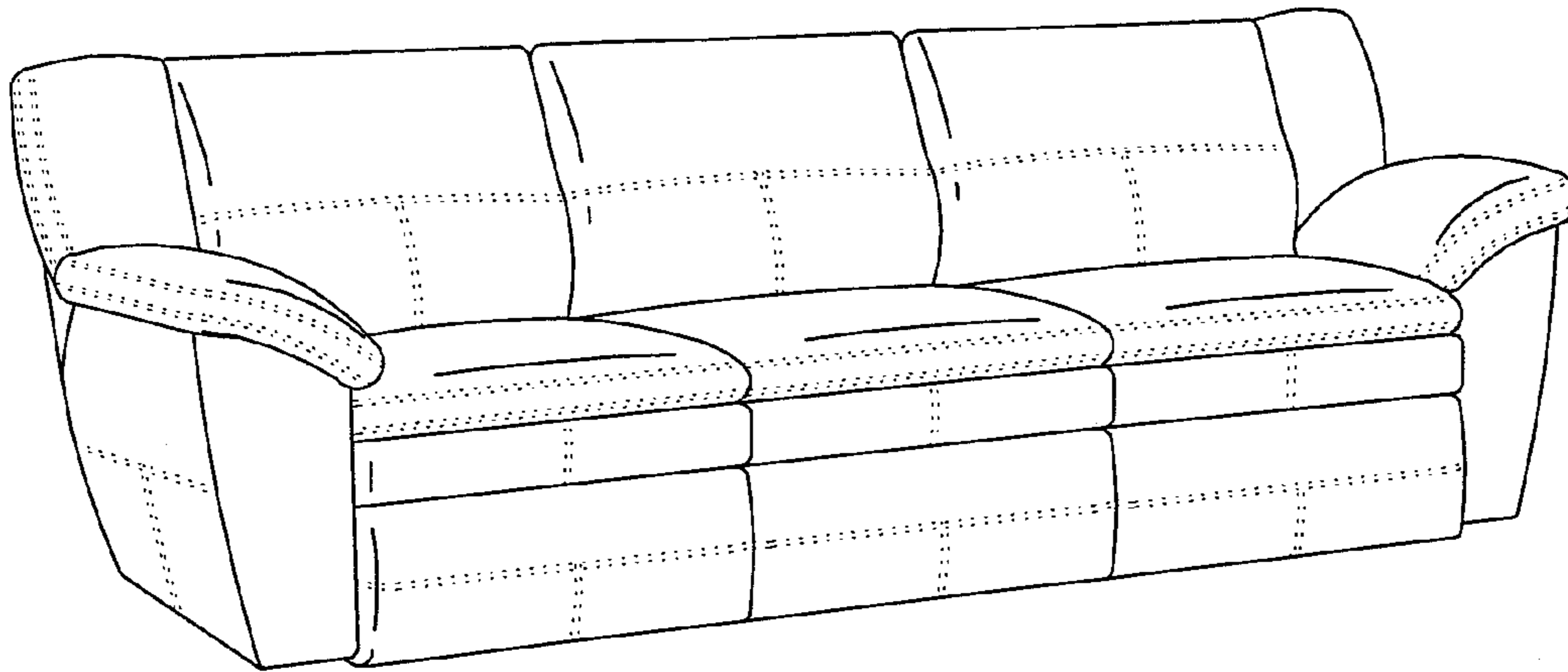


FIG 12

FIG 13

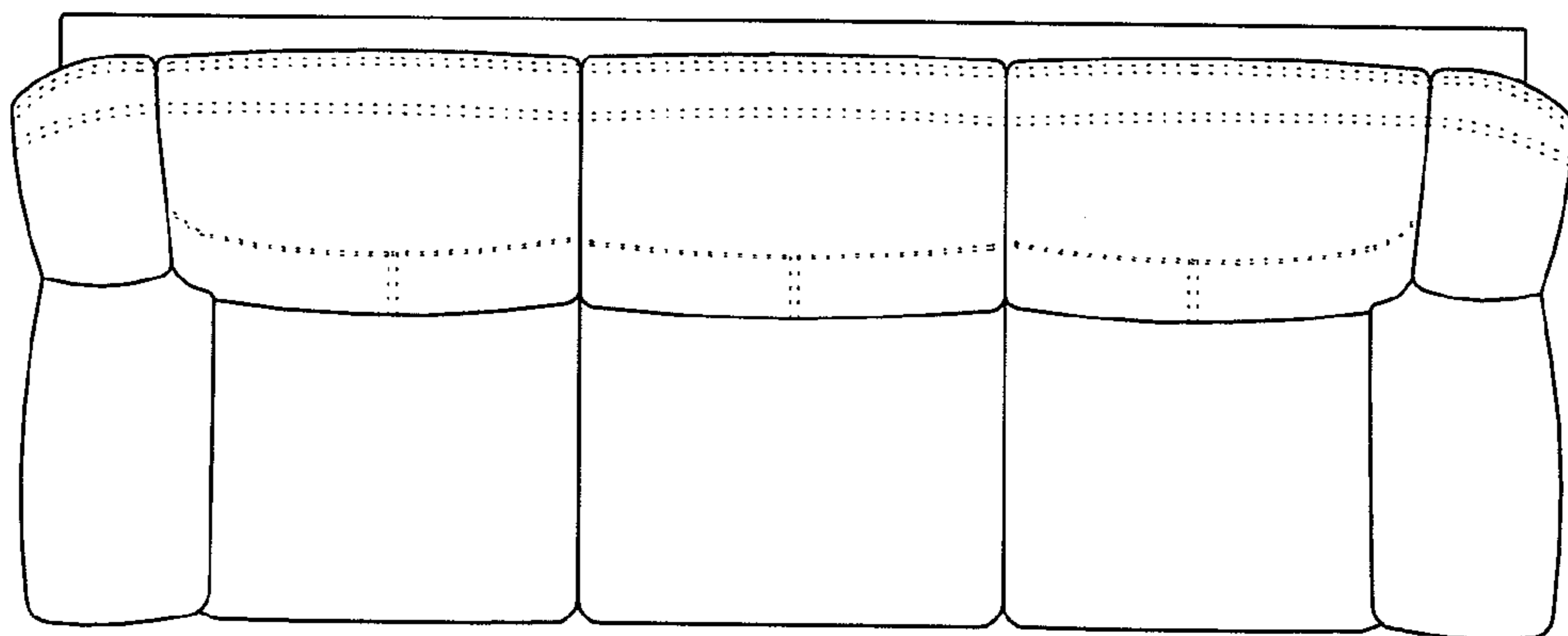
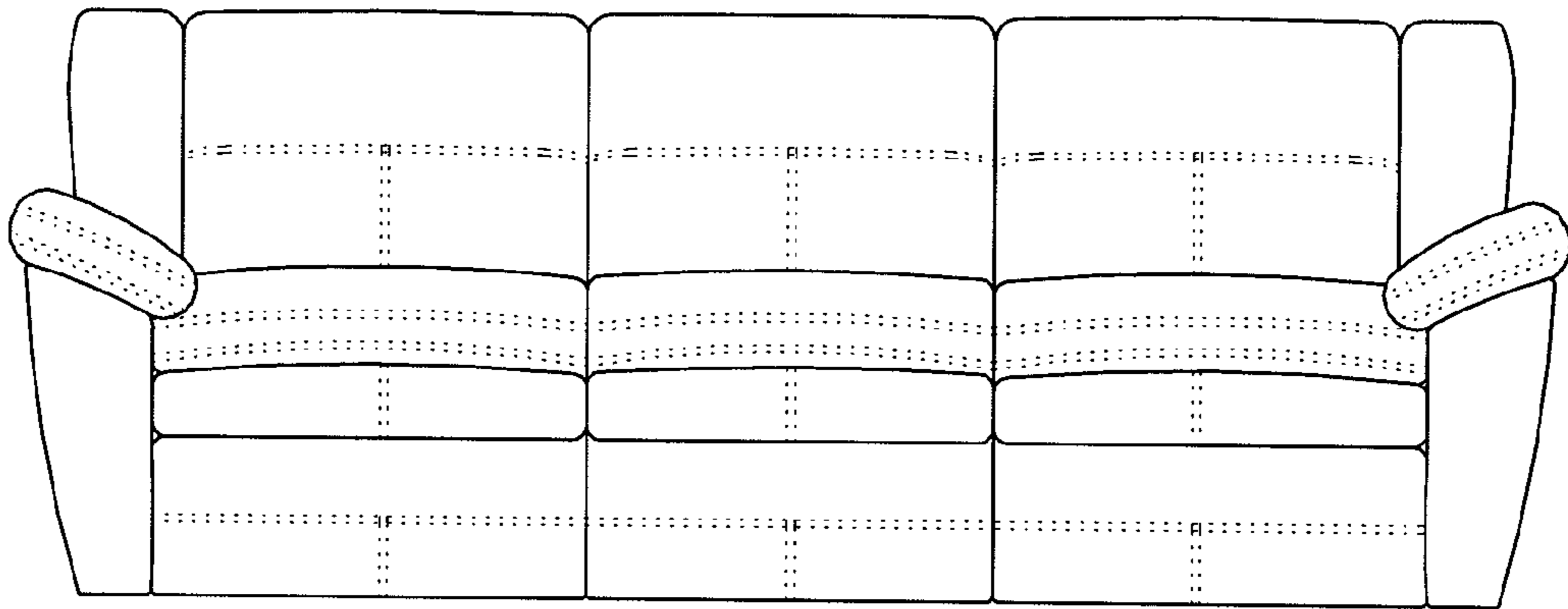


FIG 14

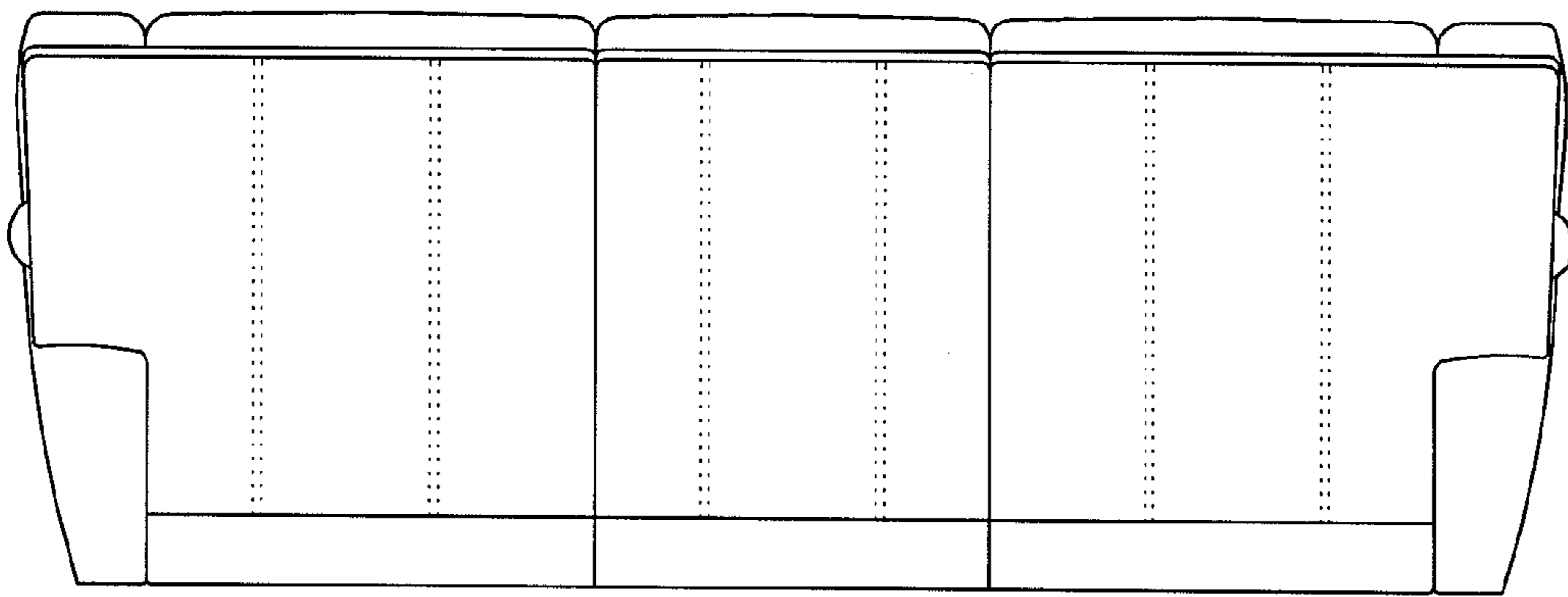


FIG 15

FIG 16

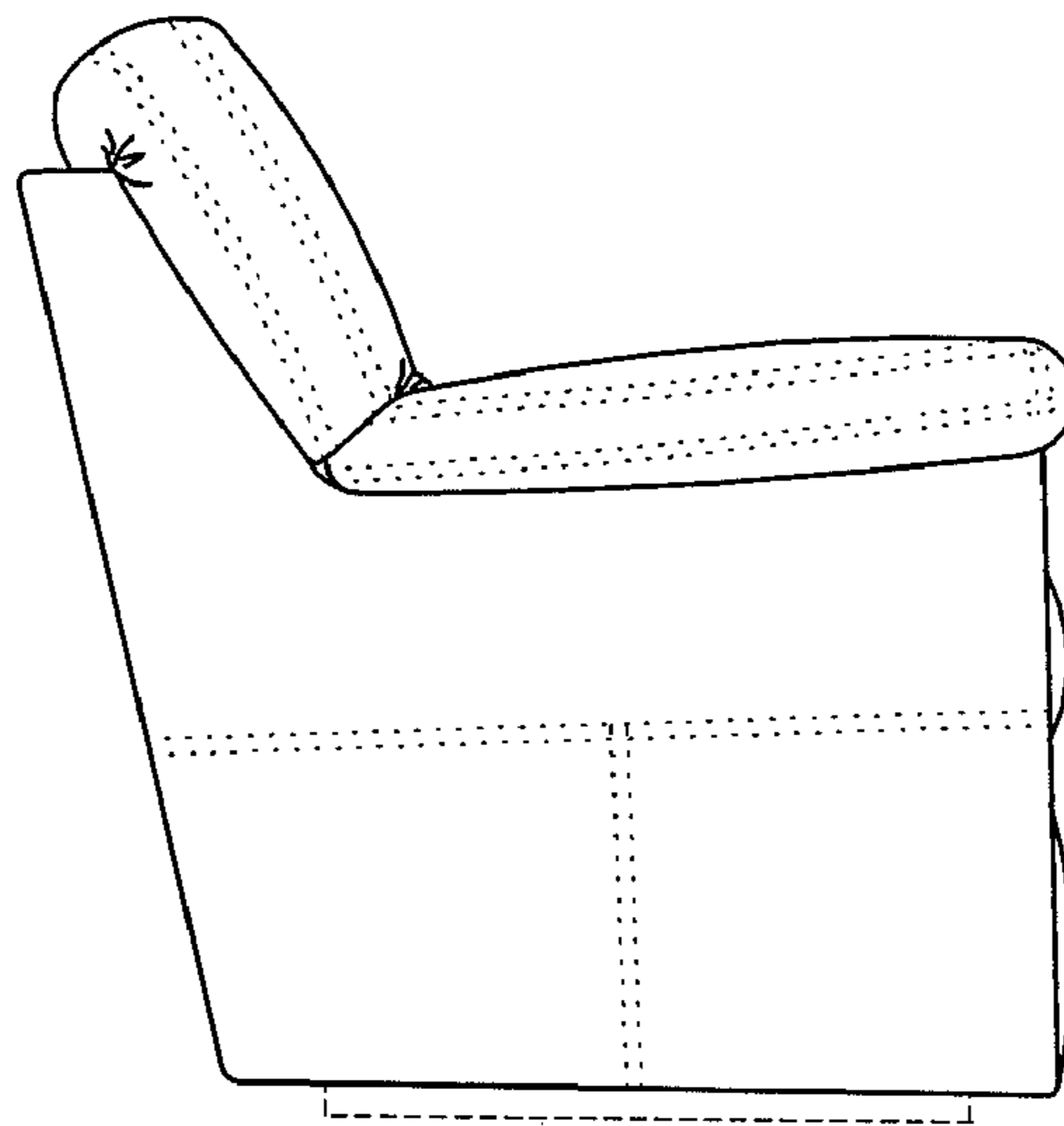
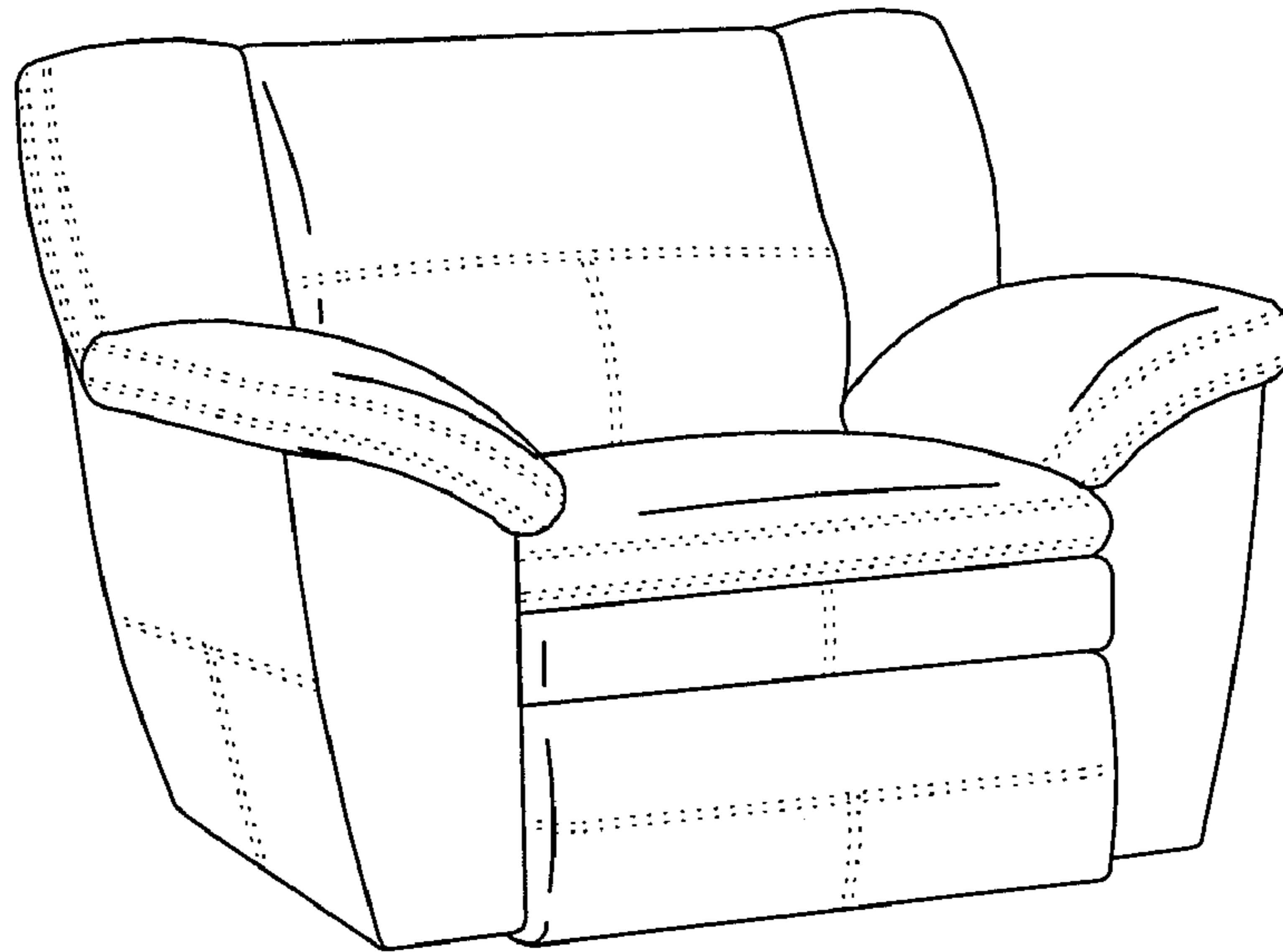


FIG 17

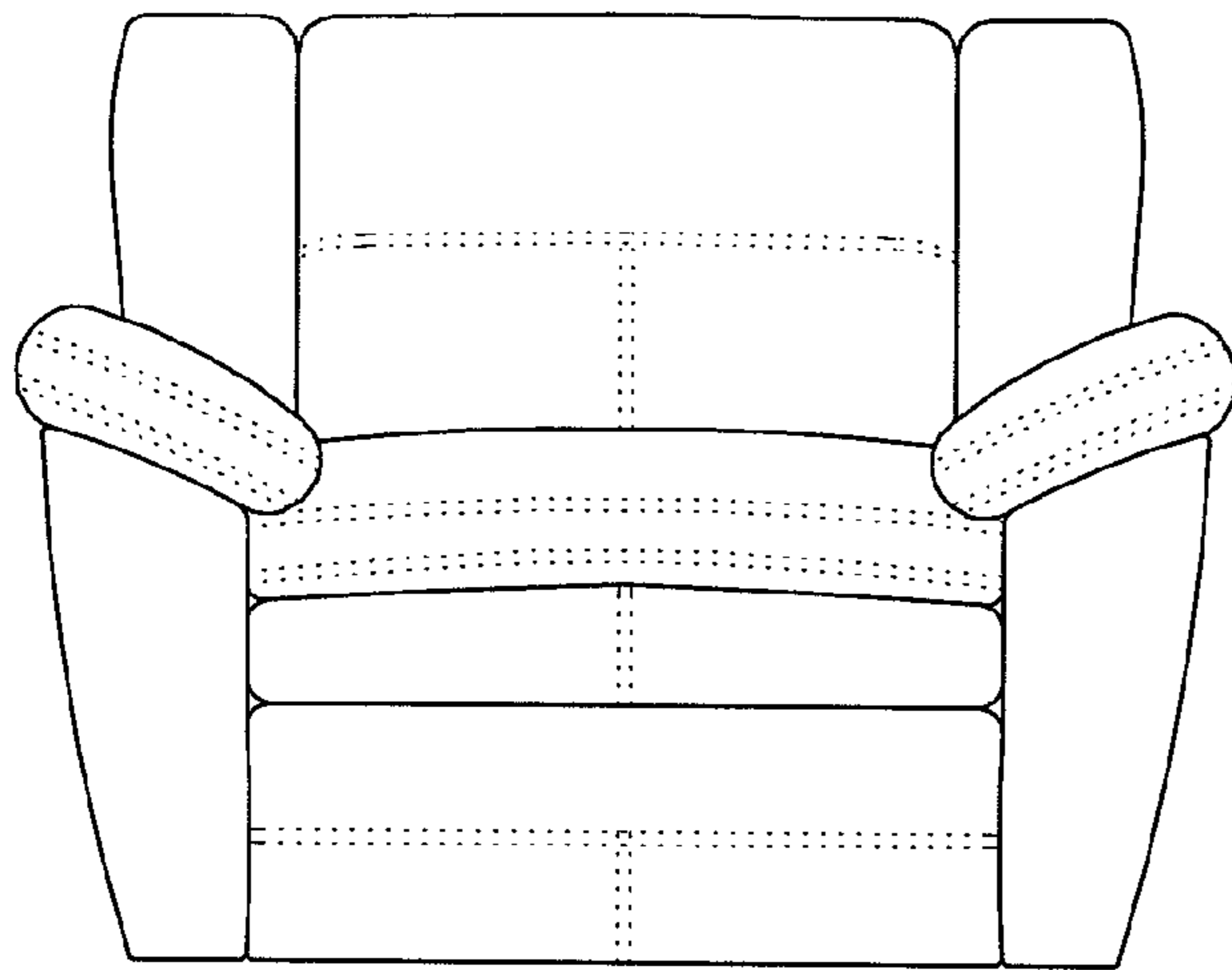


FIG 18

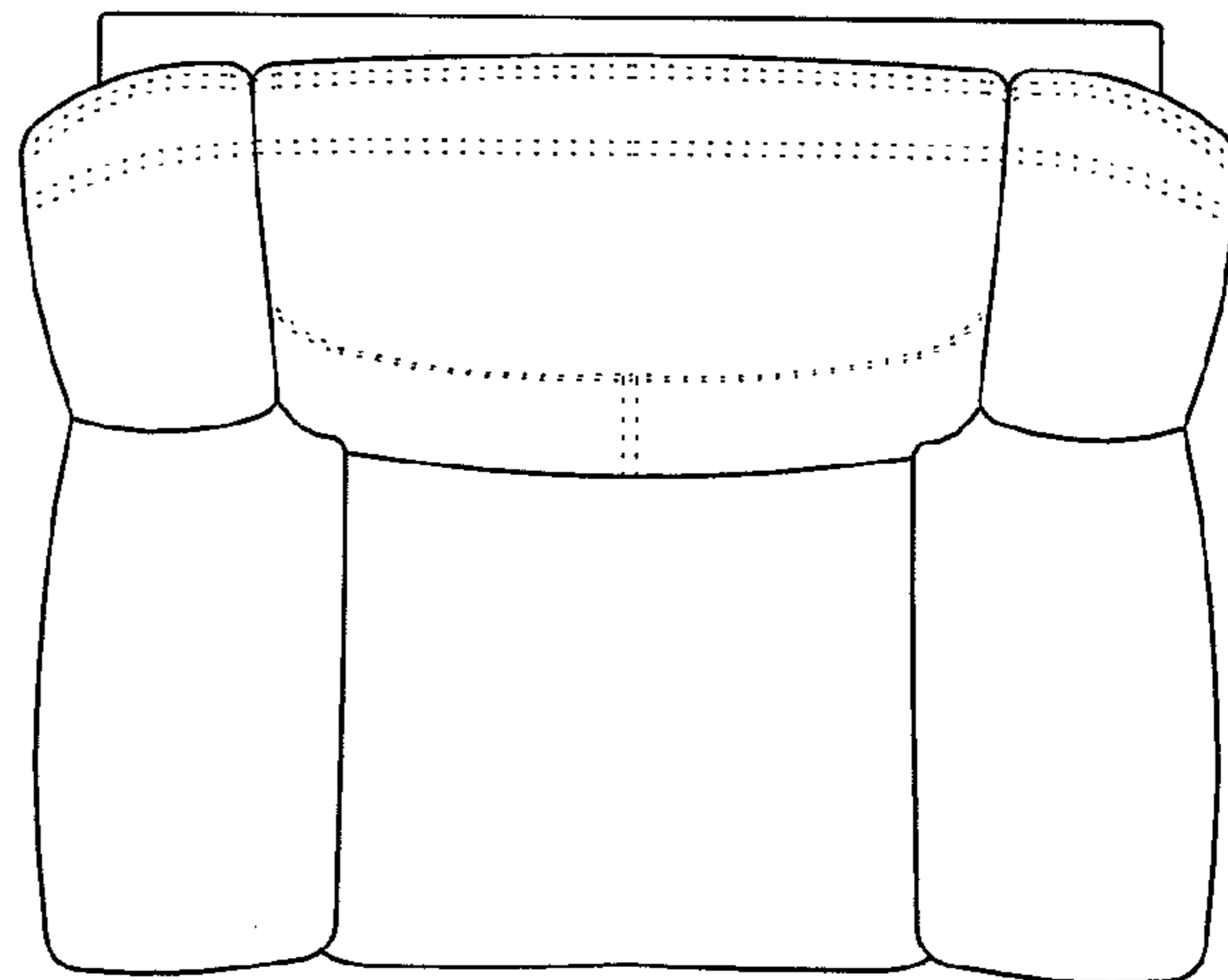


FIG 19

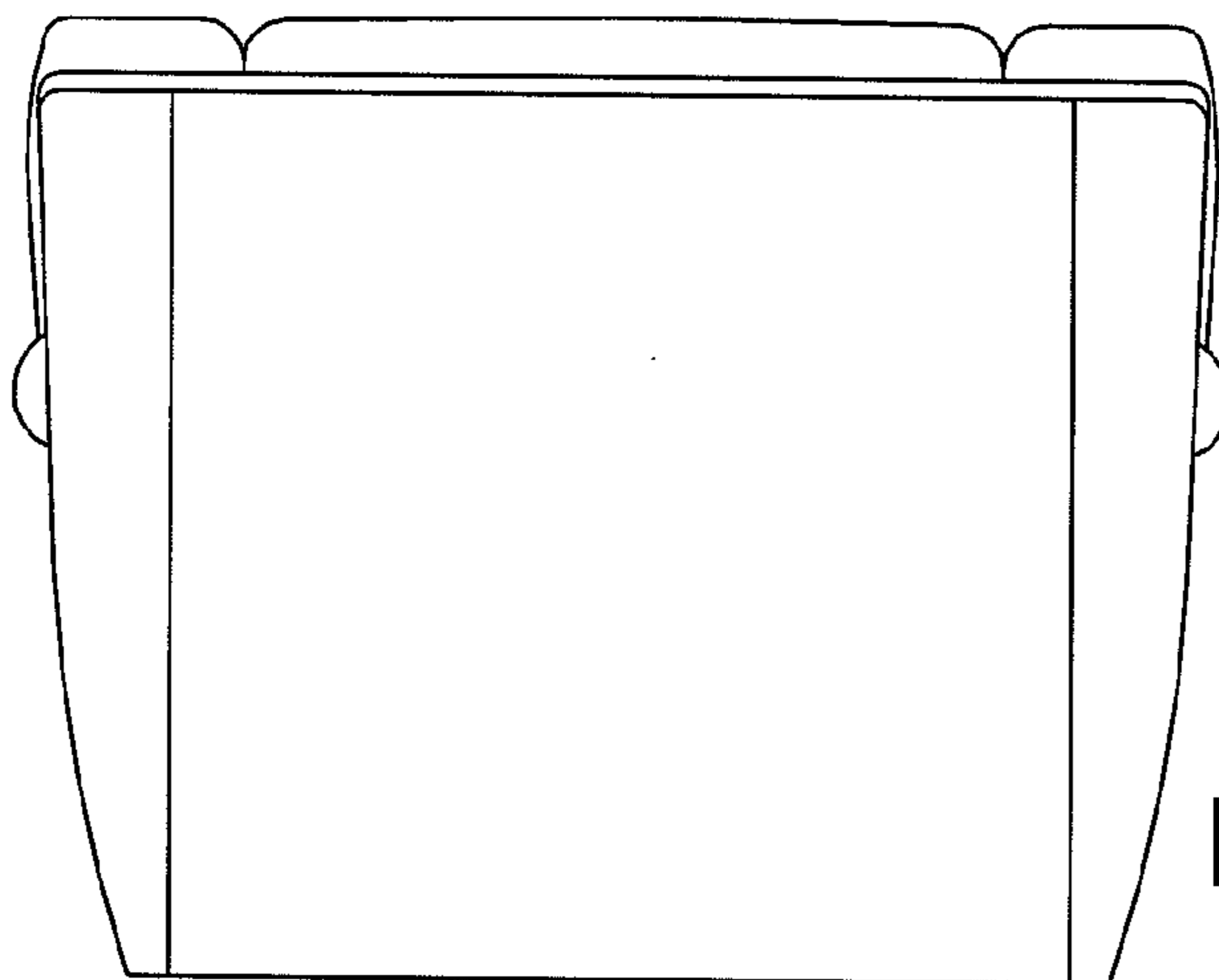


FIG 20

FIG 21

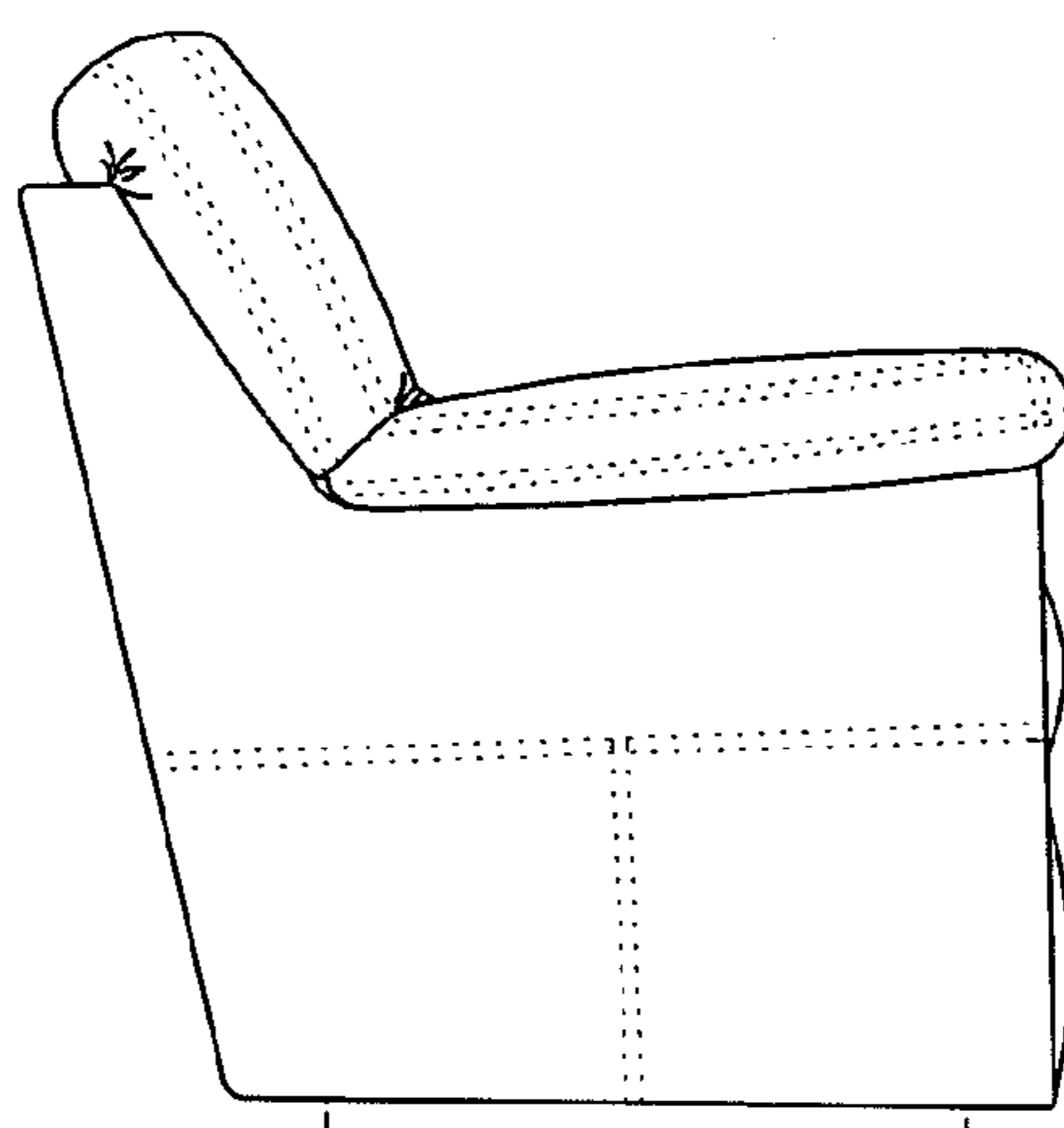
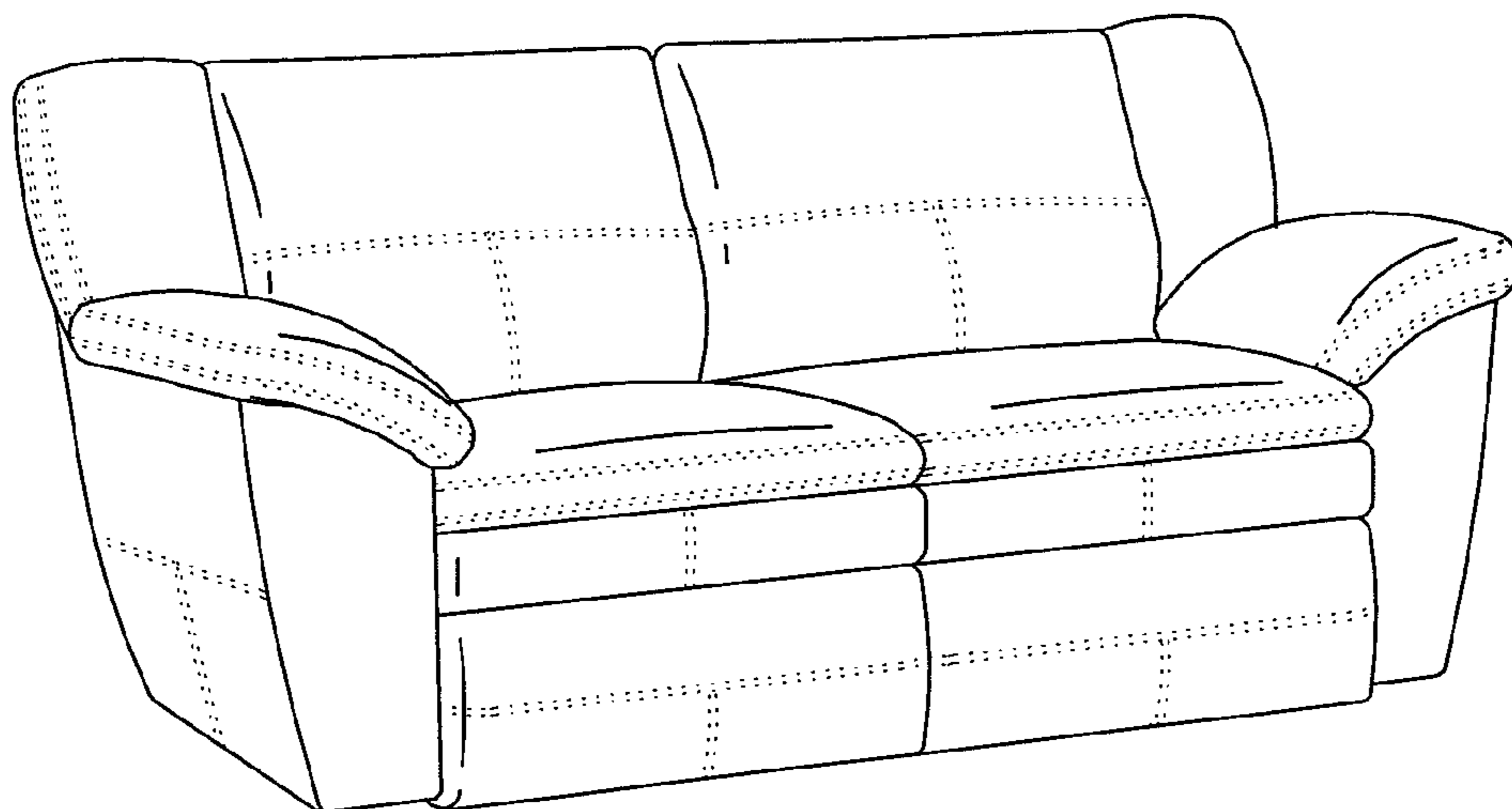


FIG 22

FIG 23

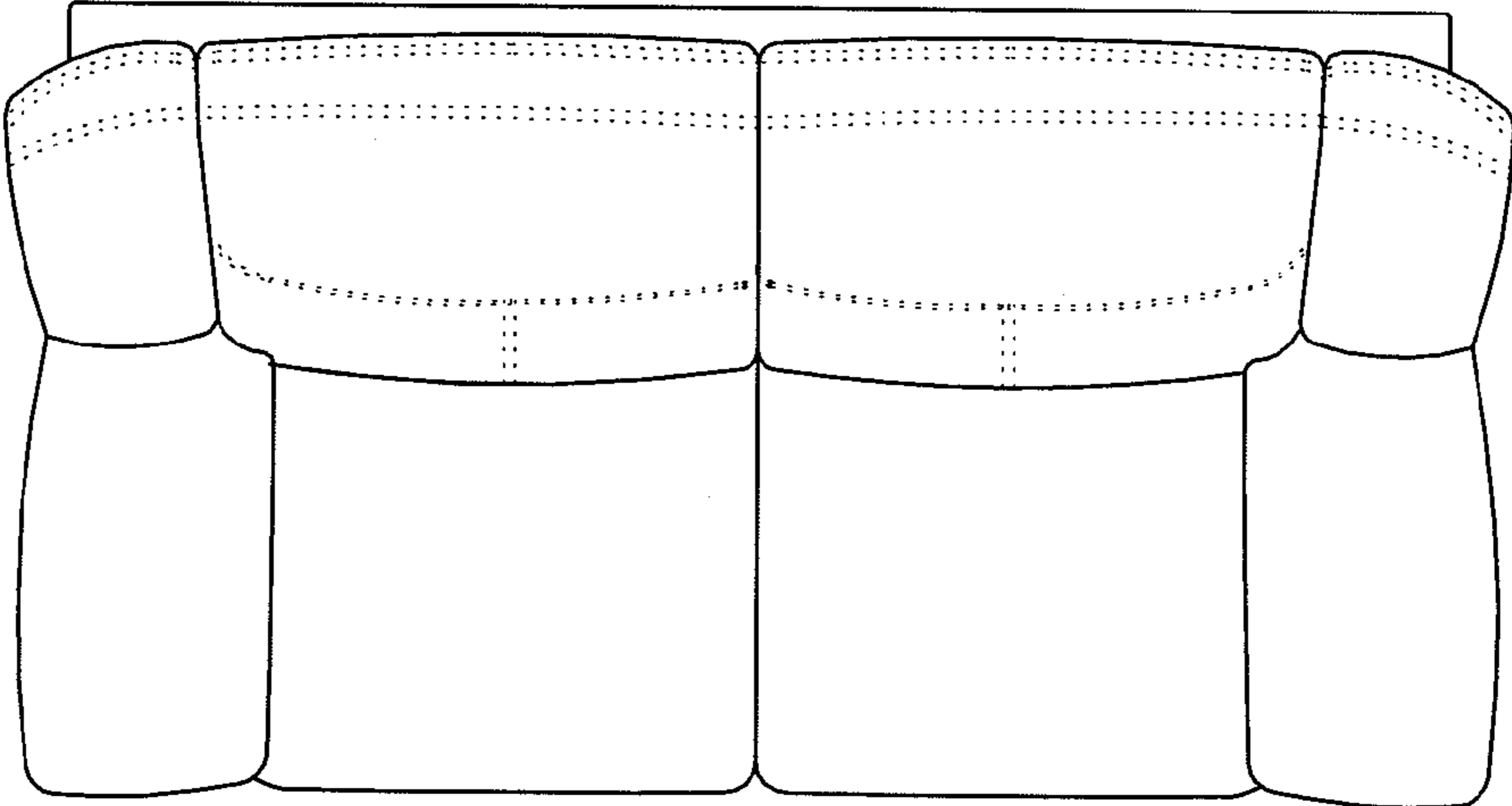
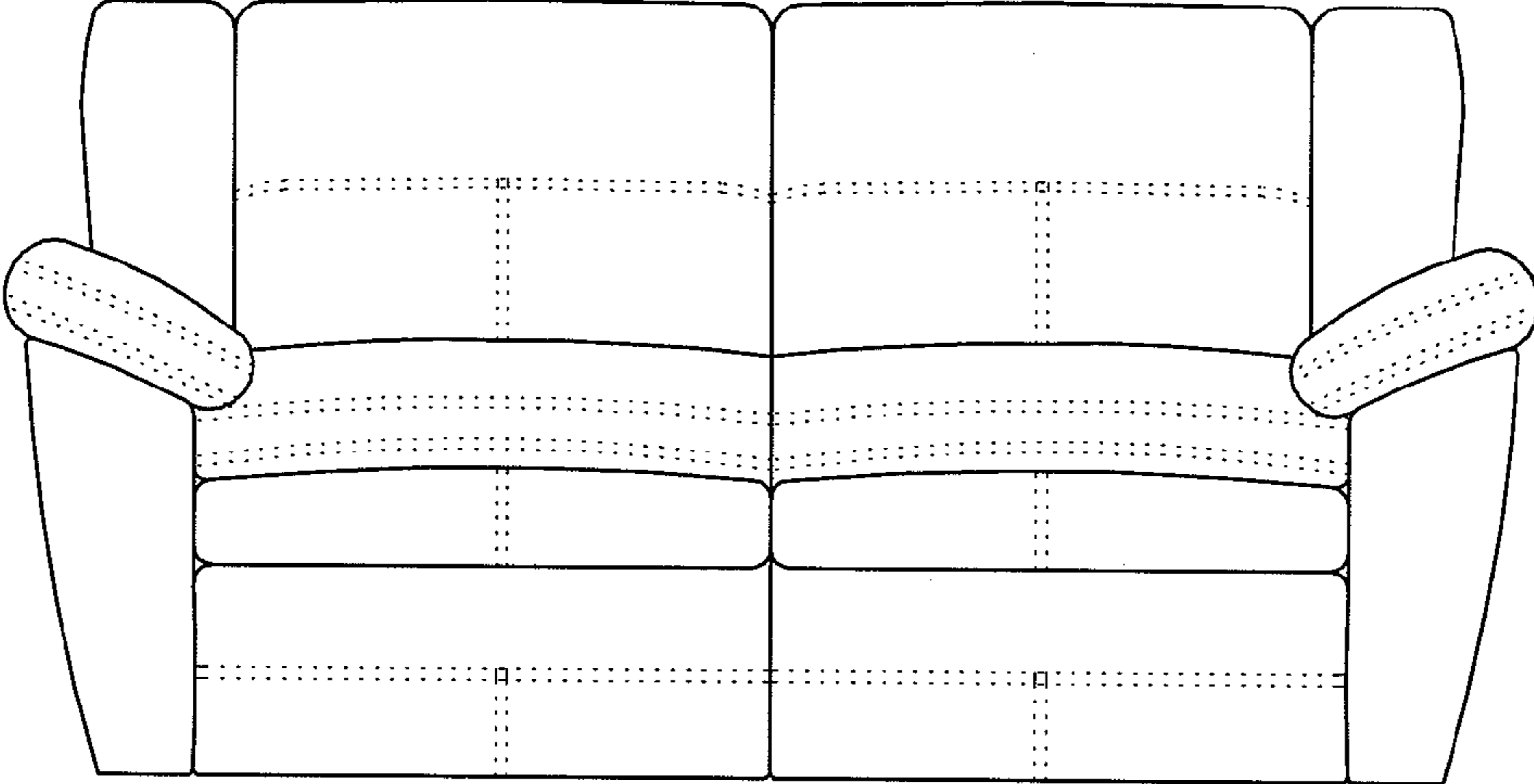


FIG 24

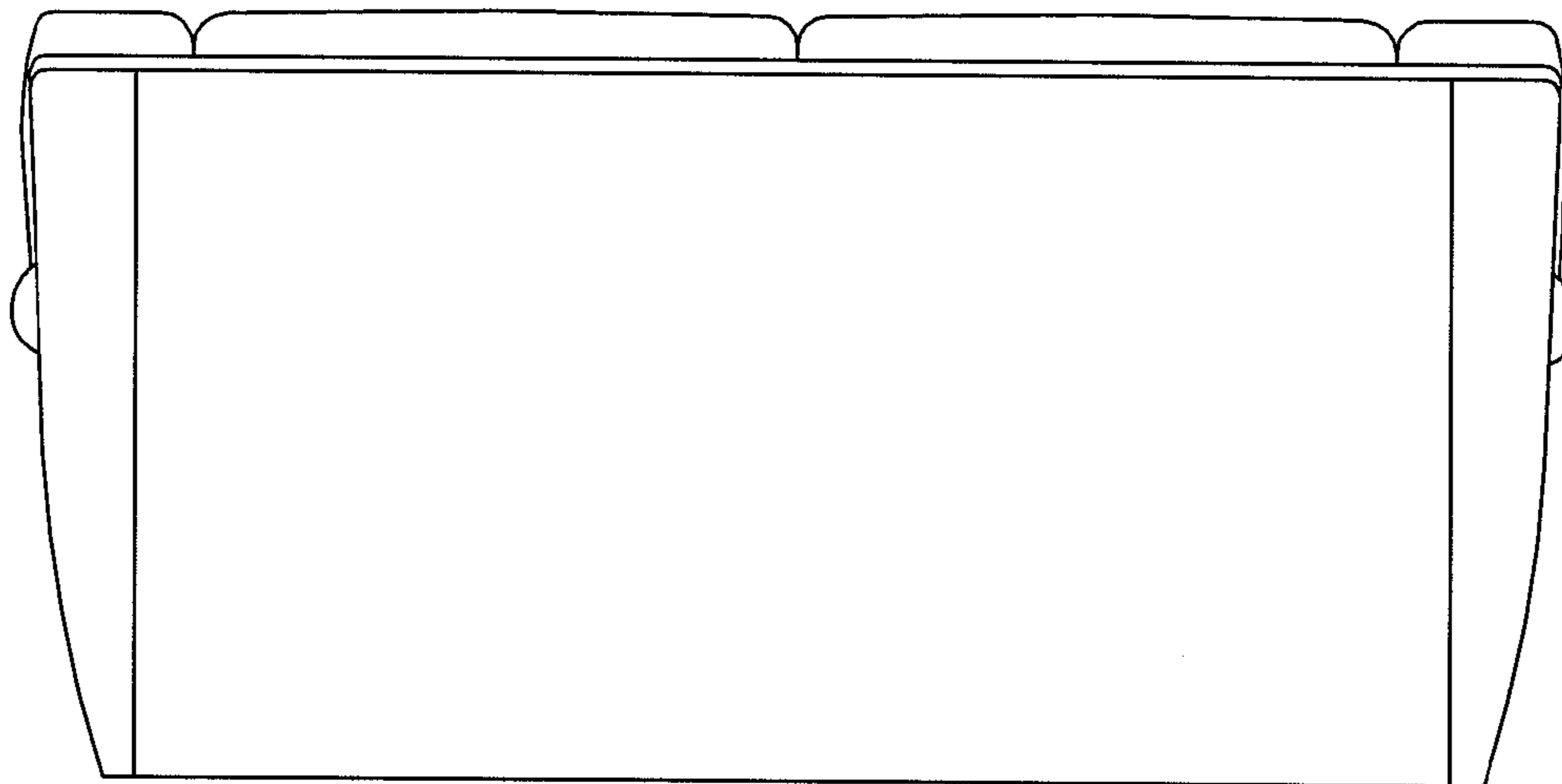


FIG 25

FIG 26

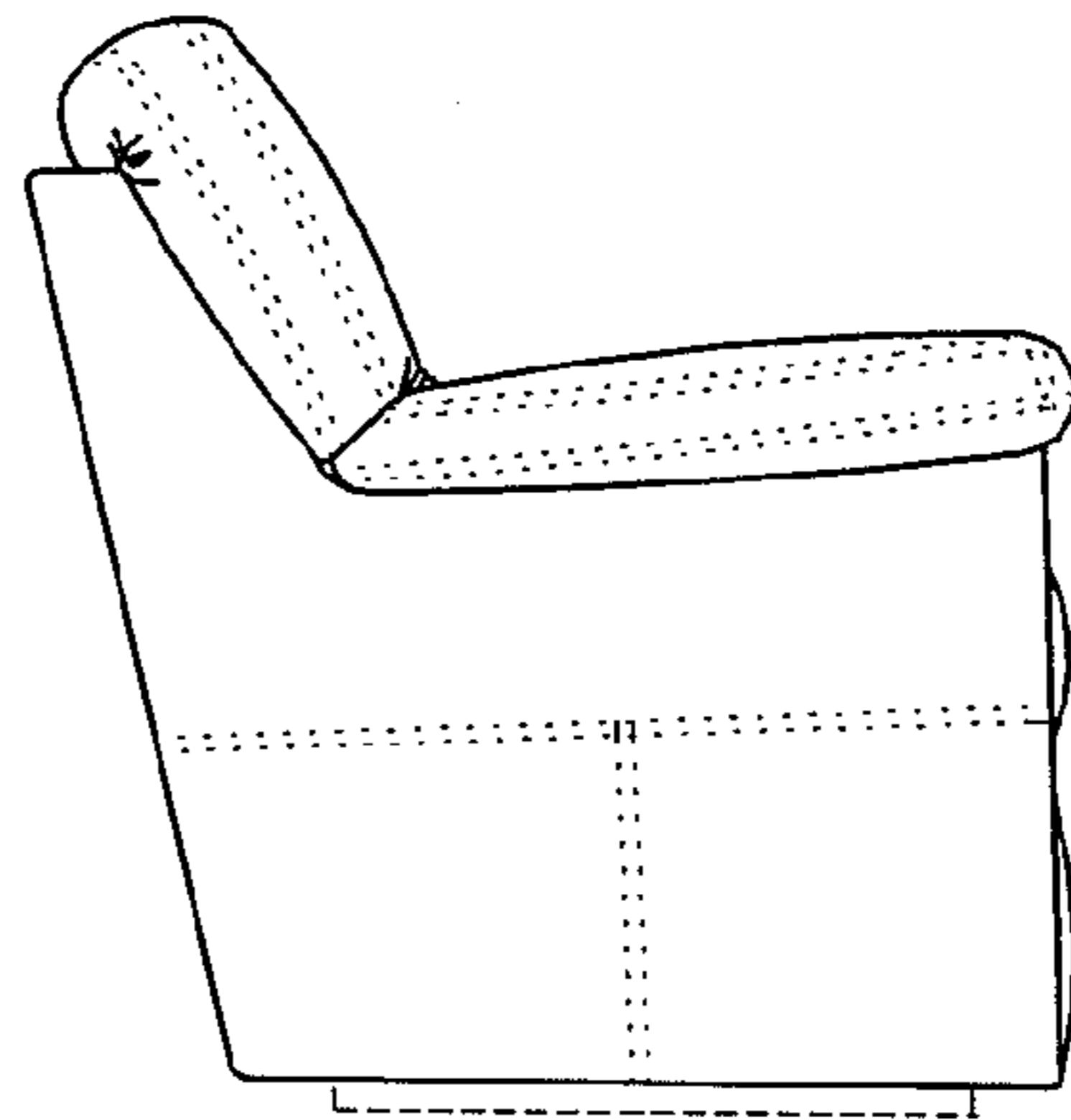
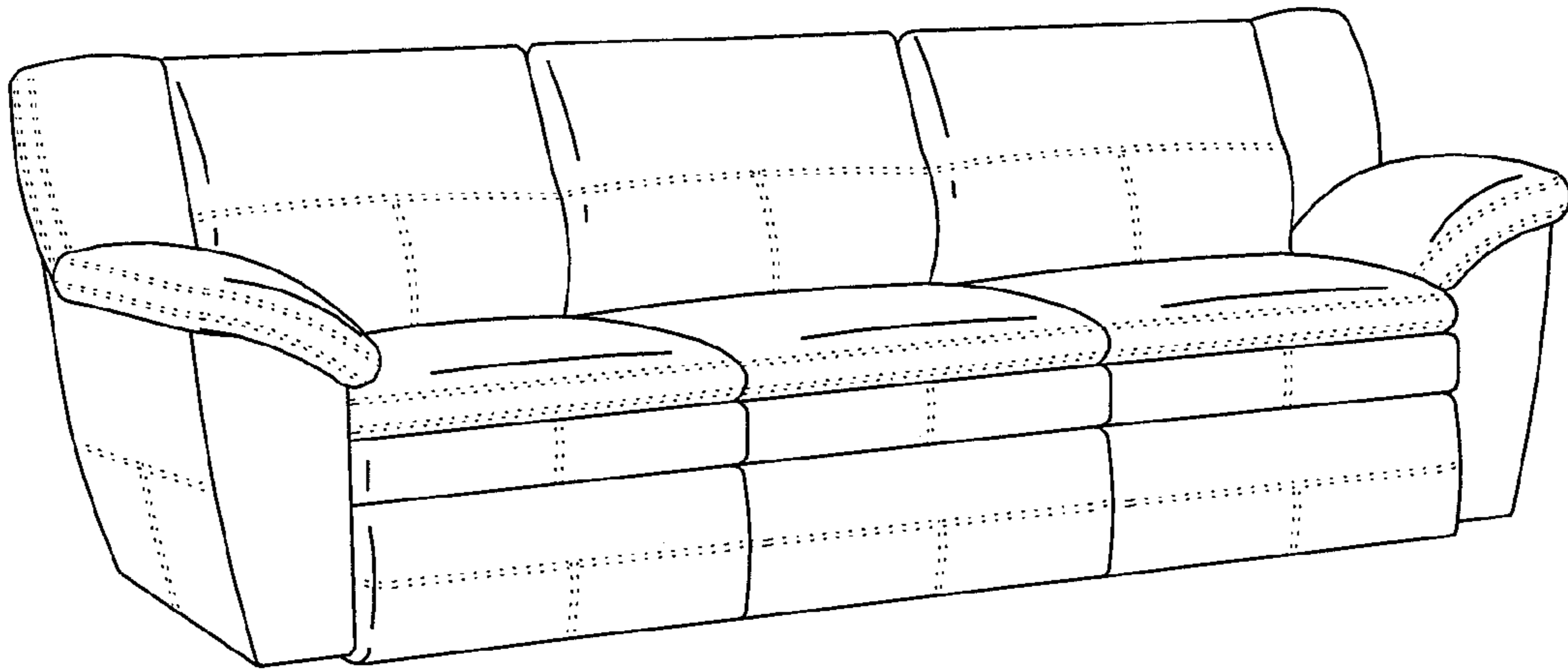


FIG 27

FIG 28

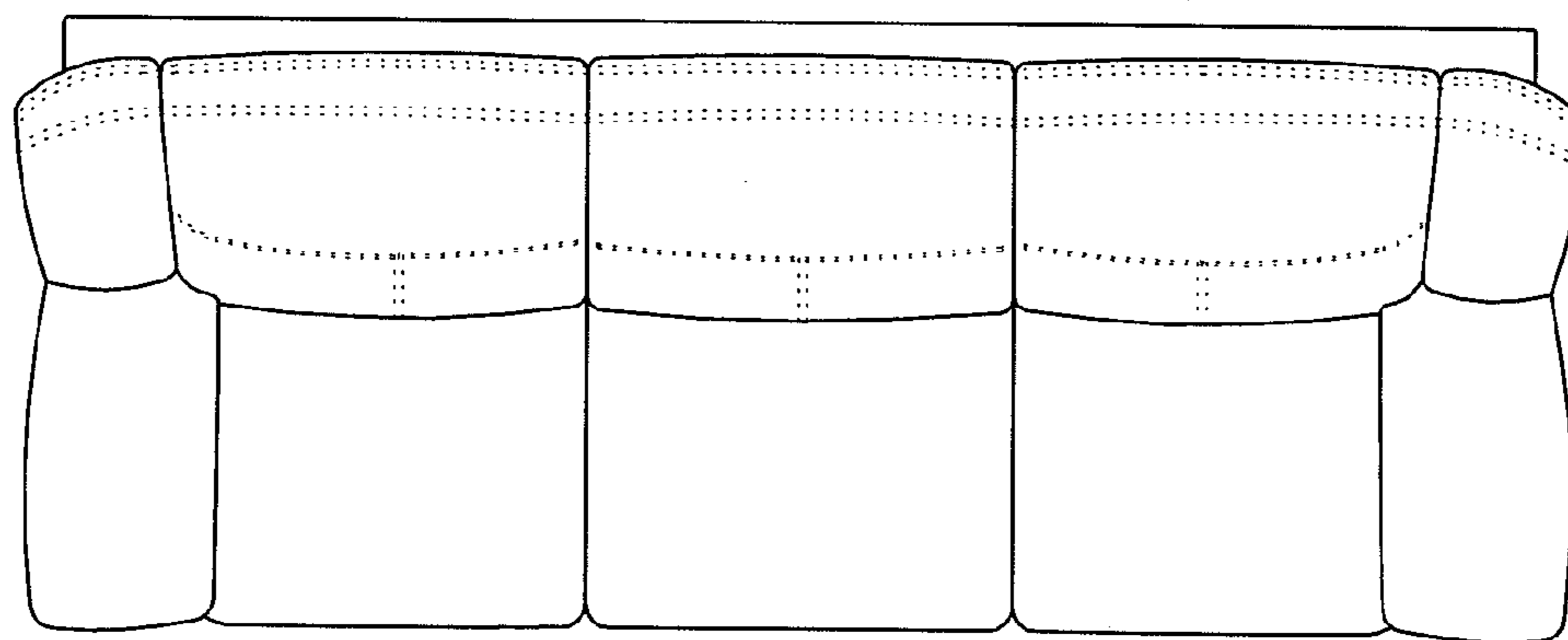
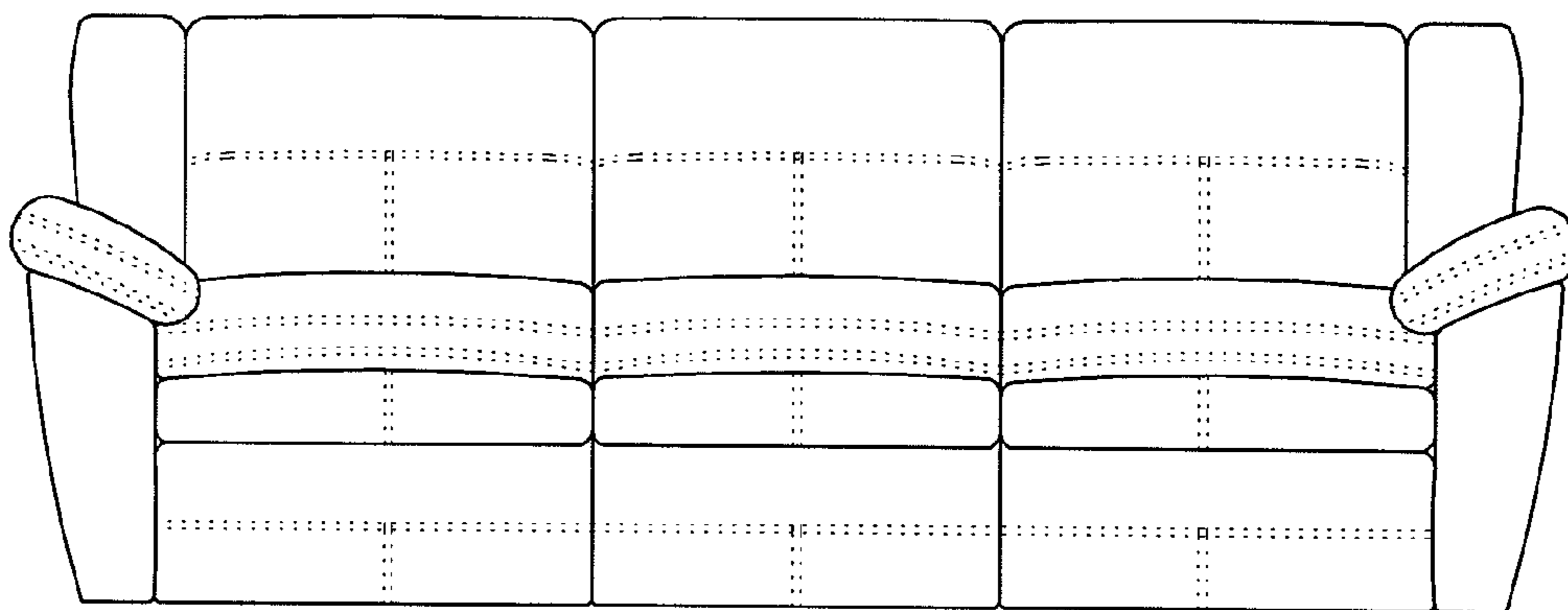


FIG 29

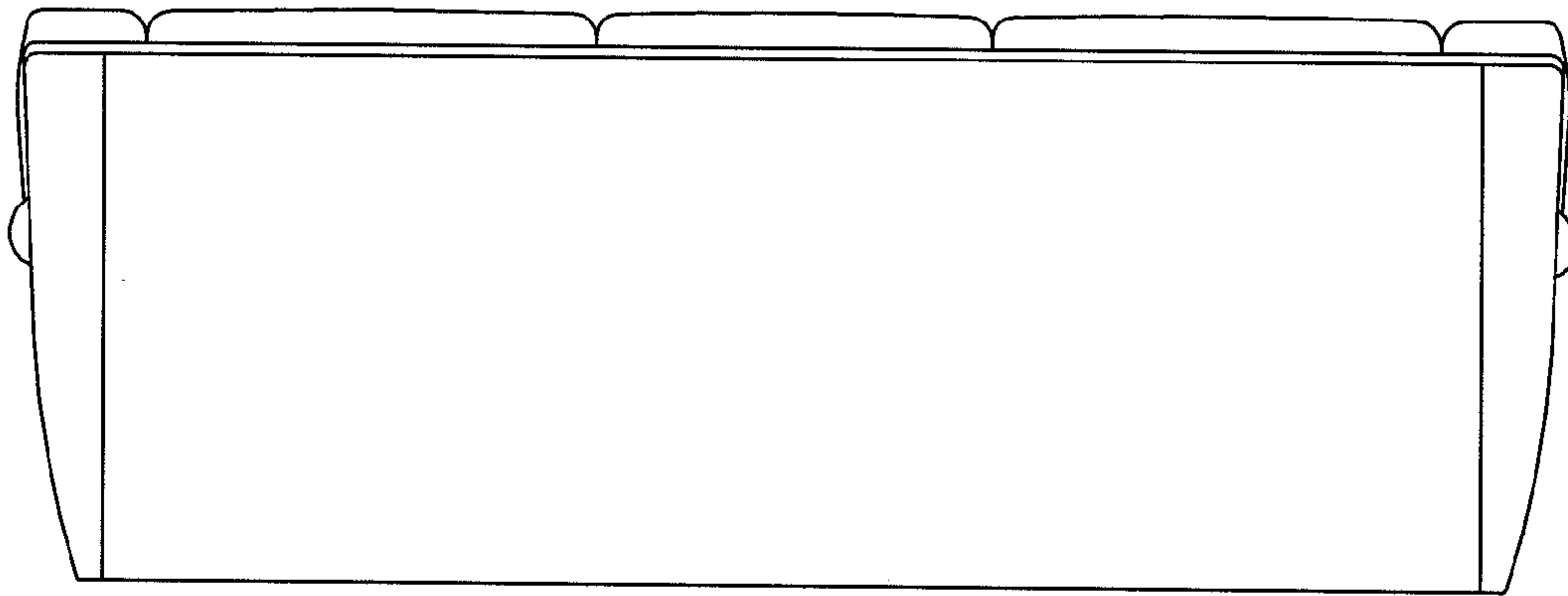


FIG 30