



US00D575541S

(12) **United States Design Patent**
Hayes

(10) **Patent No.:** **US D575,541 S**

(45) **Date of Patent:** **** Aug. 26, 2008**

(54) **CONTEMPORARY CHAIR**

D543,718 S * 6/2007 Muller D6/380
D544,234 S * 6/2007 Olano D6/379

(76) Inventor: **Cade M. Hayes**, 129 N. Jacobus Ave.,
Tuscon, AZ (US) 85705

* cited by examiner

(**) Term: **14 Years**

Primary Examiner—Mimosa De
(74) *Attorney, Agent, or Firm*—Gavin J. Milczarek-Desai;
Quarles & Brady LLP

(21) Appl. No.: **29/282,894**

(22) Filed: **Jul. 31, 2007**

(57) **CLAIM**

(51) **LOC (8) Cl.** **06-01**

The ornamental design for a contemporary chair, as shown
and described.

(52) **U.S. Cl.** **D6/374; D6/379; D6/380**

(58) **Field of Classification Search** D6/334–336,
D6/370, 371–373, 374, 375, 376, 379, 380,
D6/500–502; 297/239, 411.42, 411.43, 445.1,
297/446.1, 451.12, 452.63

DESCRIPTION

See application file for complete search history.

FIG. 1 is a frontal perspective view of a contemporary chair
embodying my new design.

FIG. 2 is a front plan view thereof.

FIG. 3 is a back plan view thereof.

FIG. 4 is a right side elevational view thereof.

FIG. 5 is a left side elevational view thereof.

FIG. 6 is a bottom plan view thereof; and,

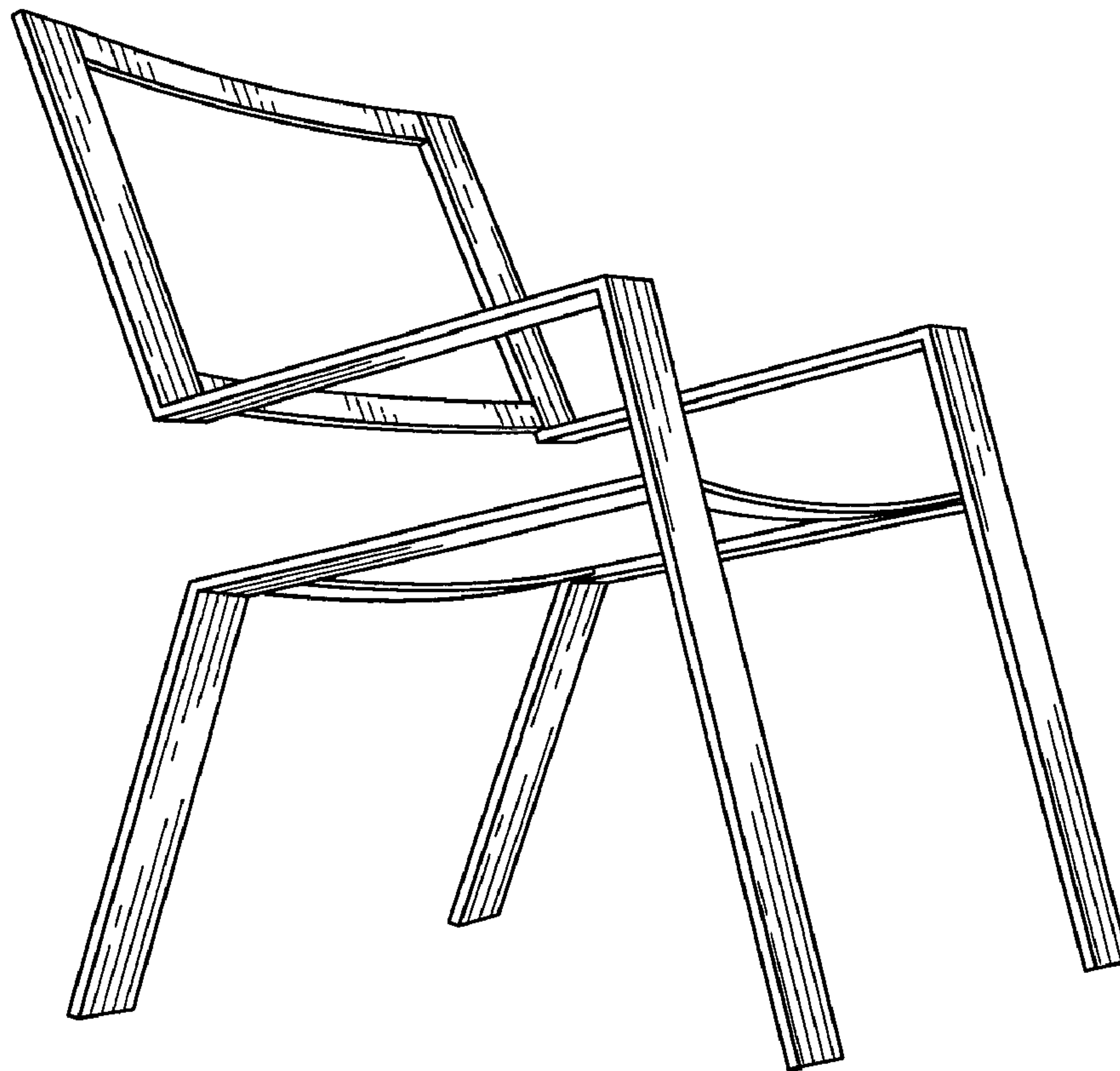
FIG. 7 is a top plan view thereof.

(56) **References Cited**

U.S. PATENT DOCUMENTS

D109,433 S * 4/1938 Bunder D6/370
D319,930 S * 9/1991 Glendinning D6/370
D329,546 S * 9/1992 Snodgrass D6/374
D447,354 S * 9/2001 Bluberg D6/374
D514,837 S * 2/2006 Muller D6/374

1 Claim, 4 Drawing Sheets



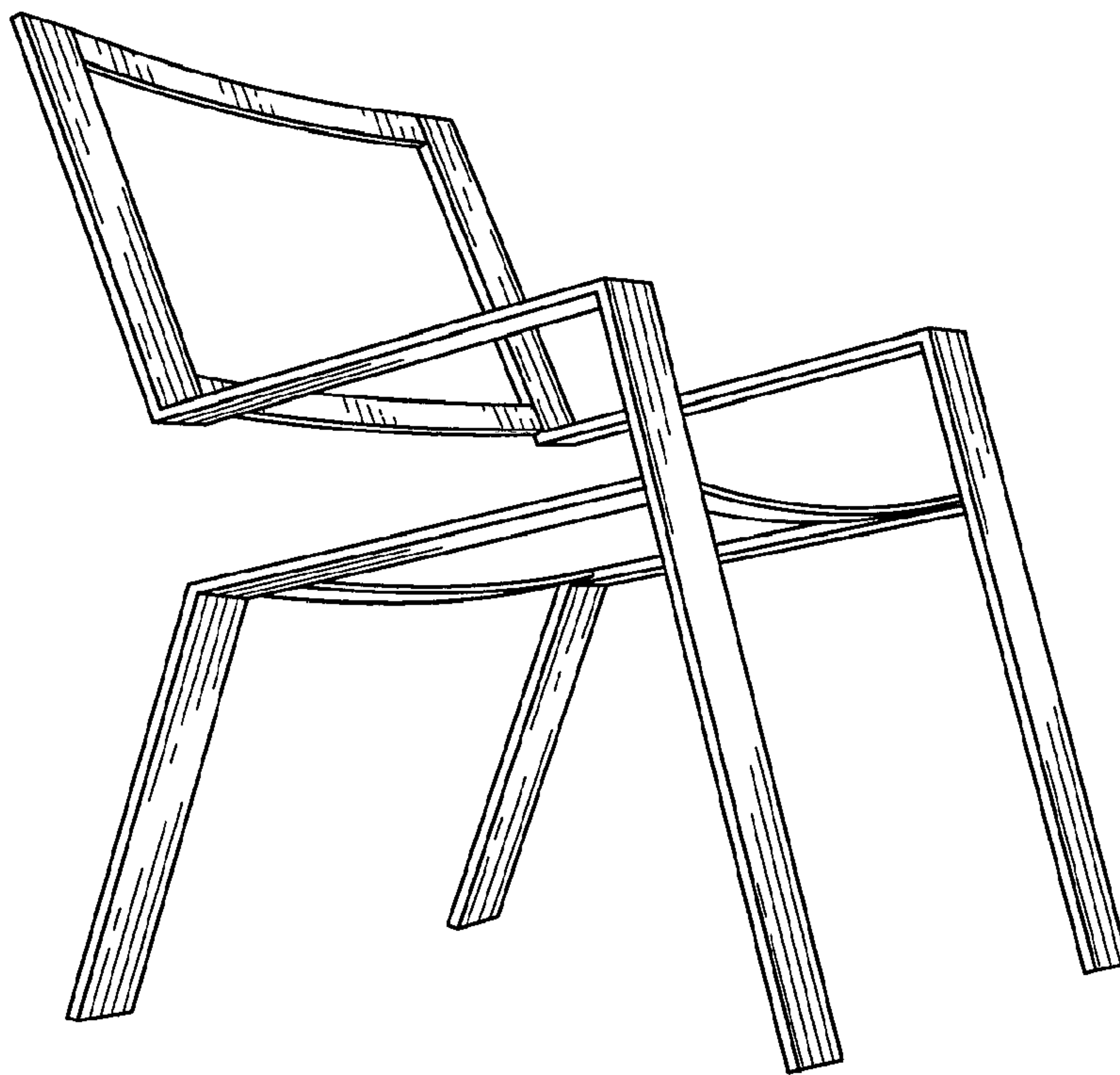


FIG. 1

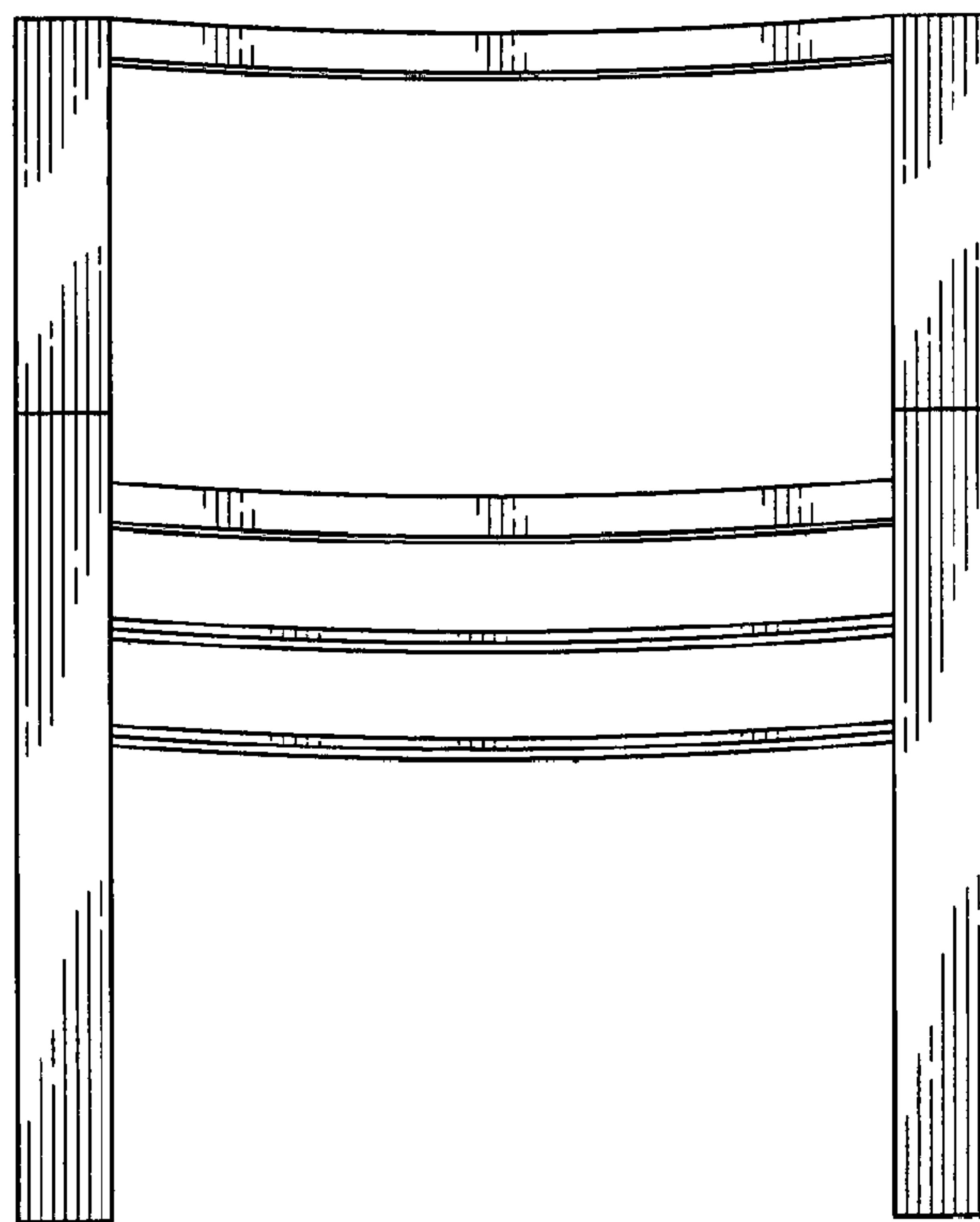


FIG. 2

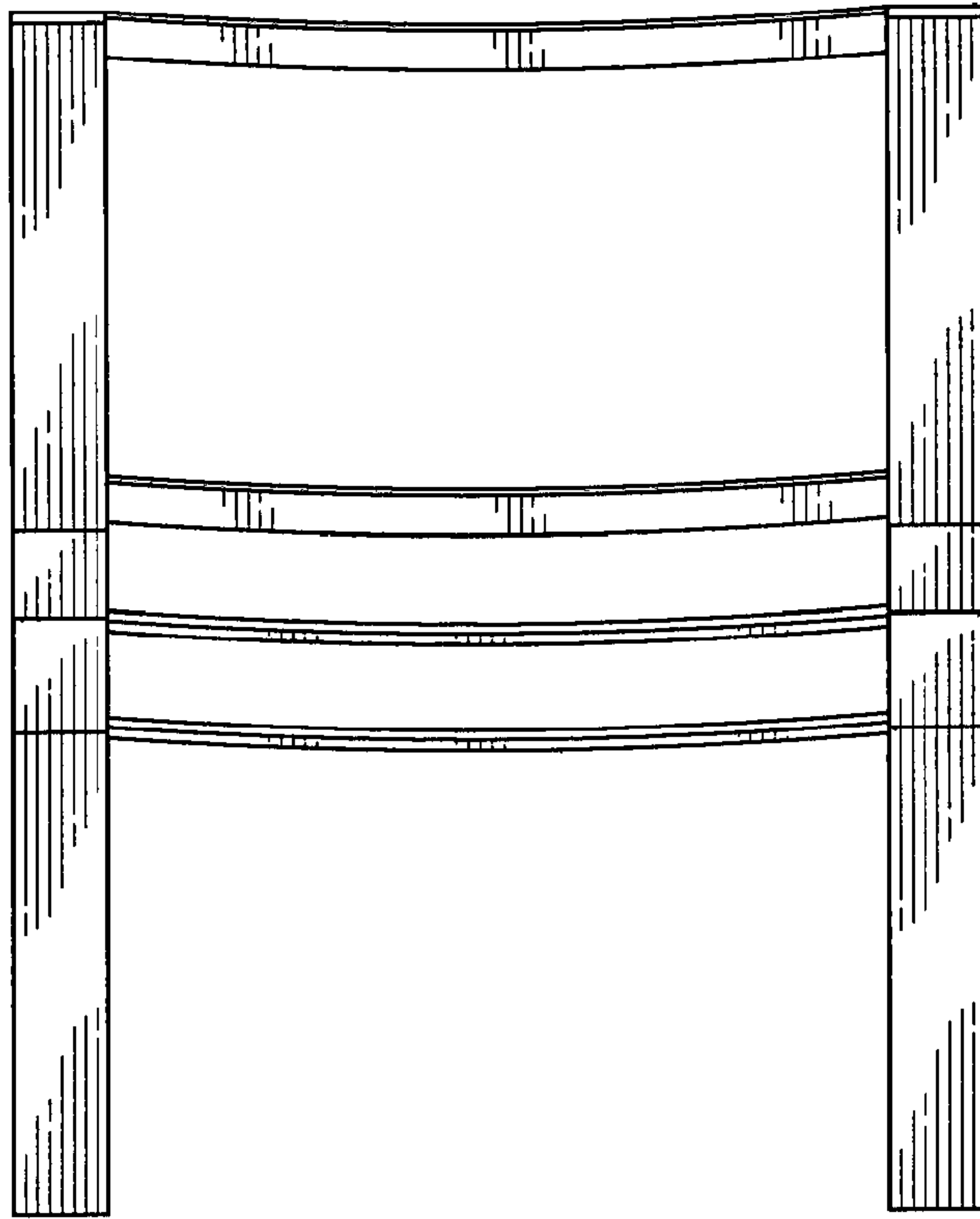


FIG. 3

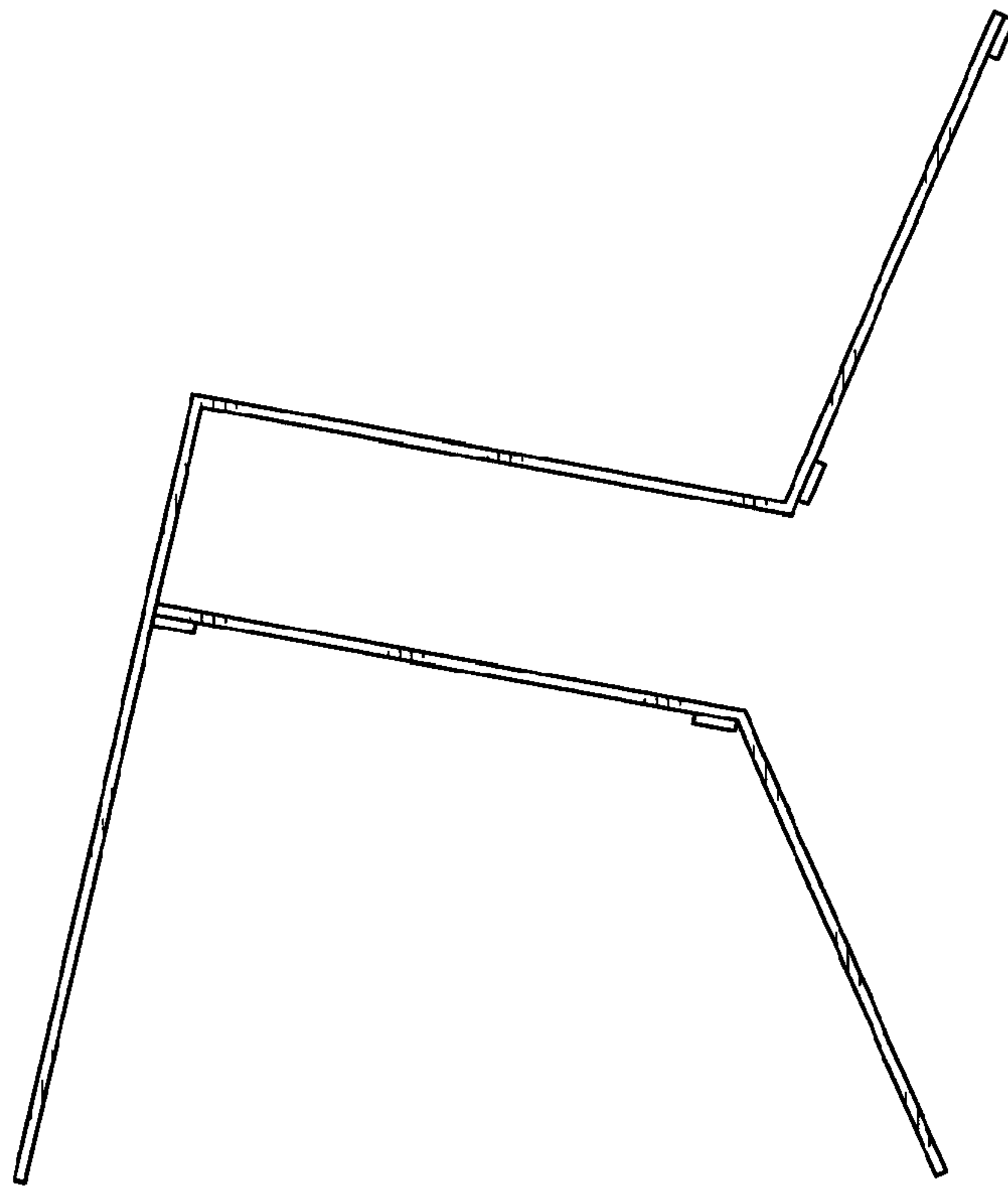


FIG. 4

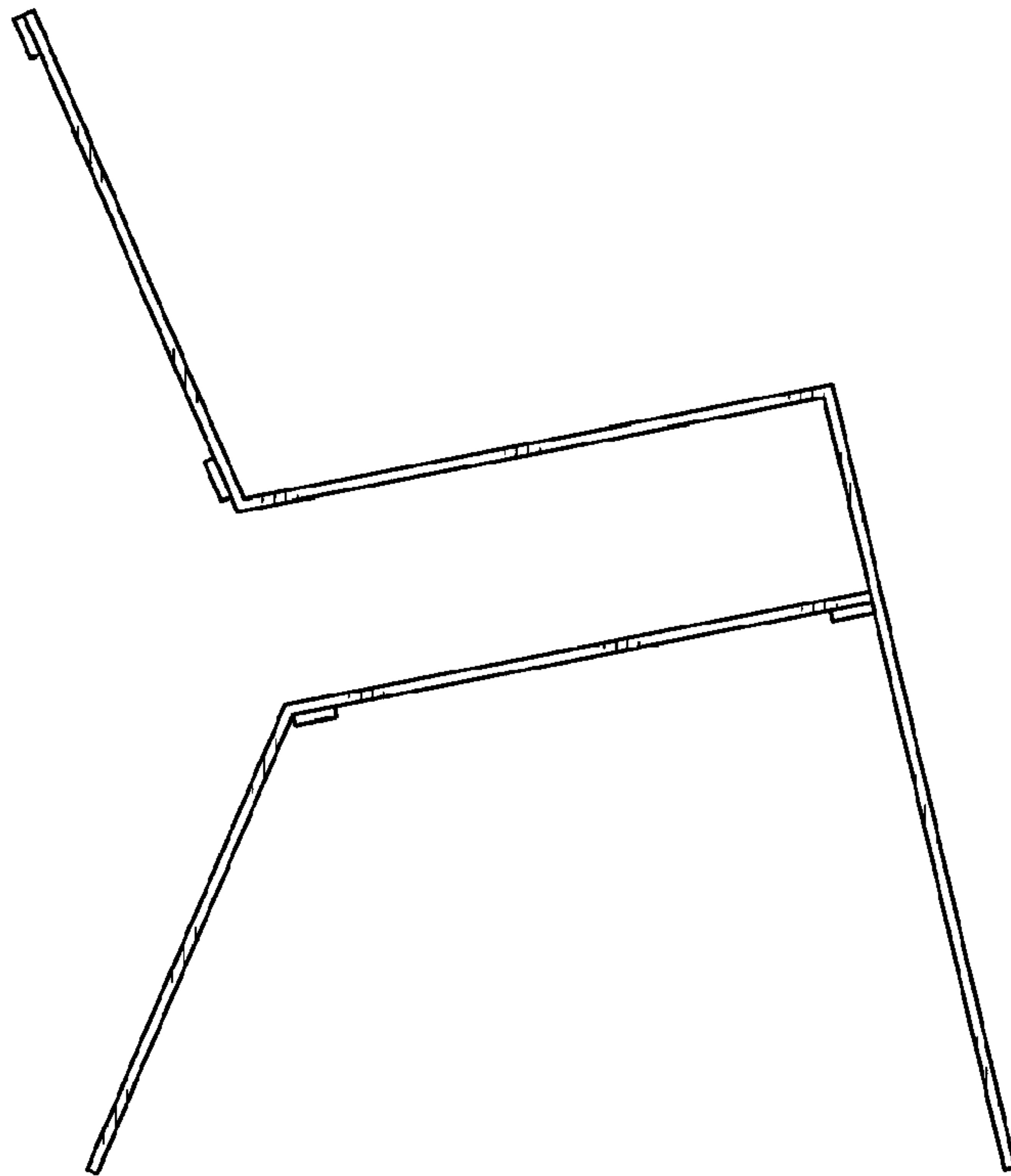


FIG. 5

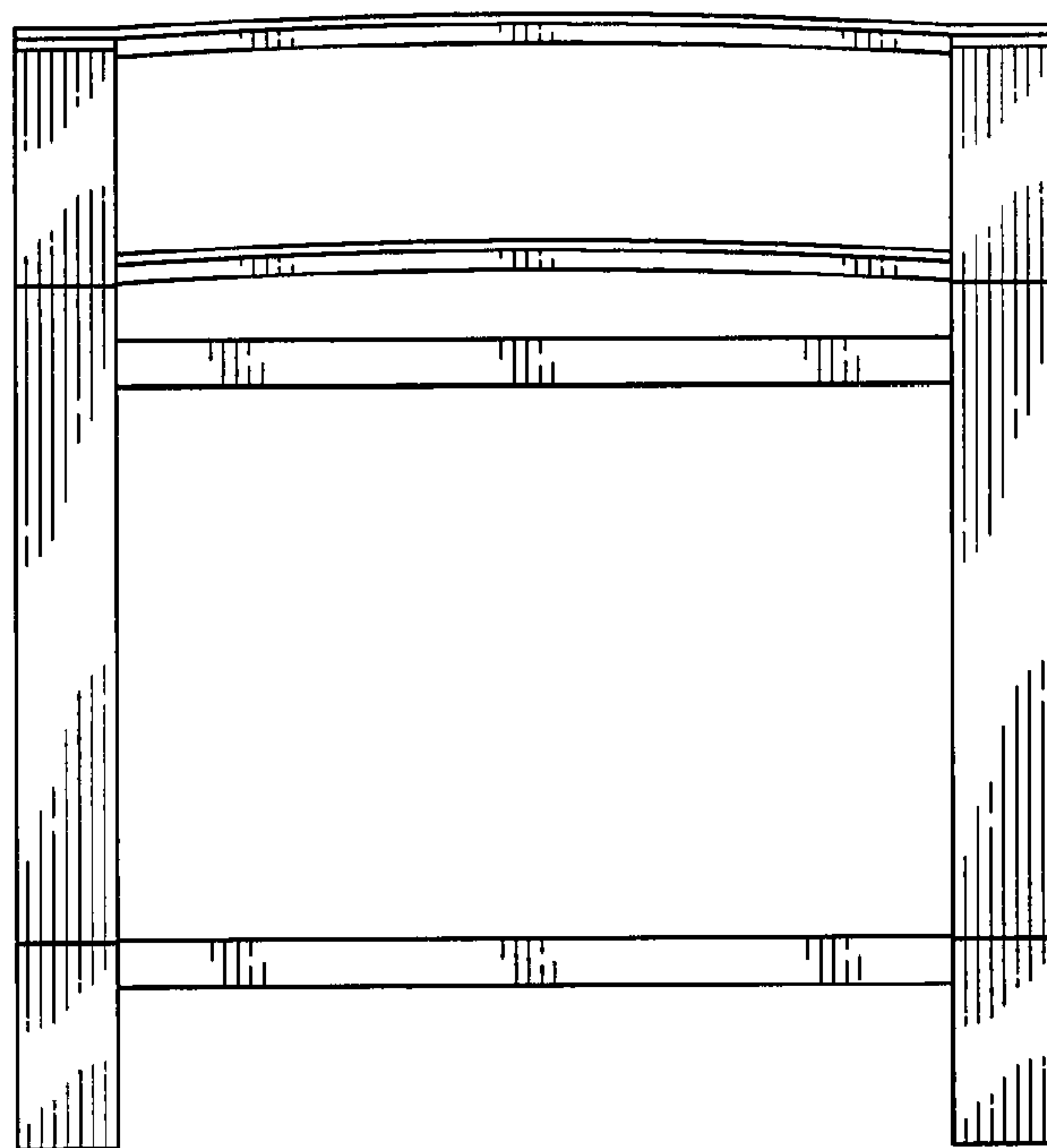


FIG. 6

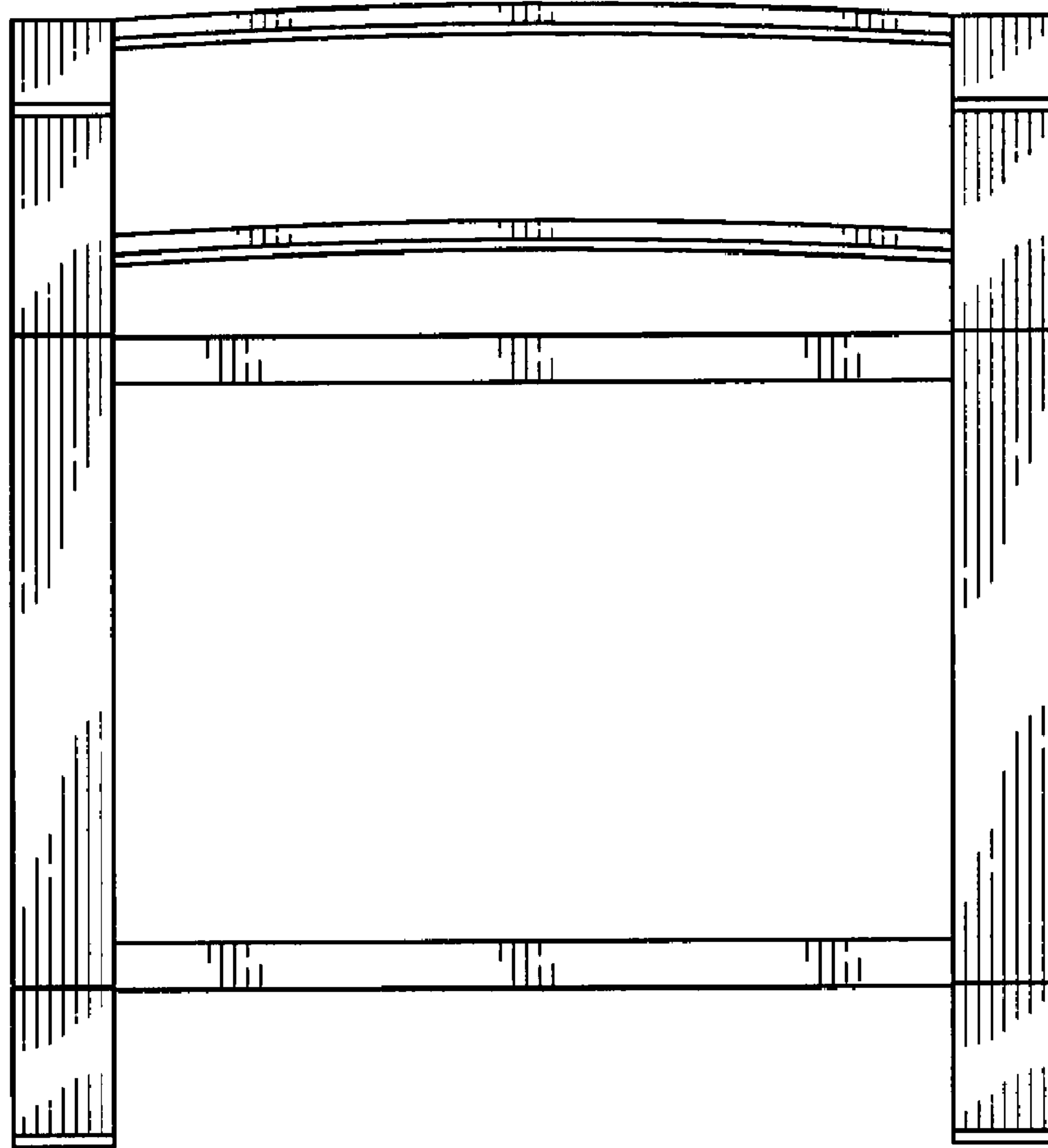


FIG. 7