



US00D575540S

(12) **United States Design Patent**
Goldberg et al.

(10) **Patent No.:** **US D575,540 S**
(45) **Date of Patent:** **** Aug. 26, 2008**

(54) **STOOL**

4,998,774 A * 3/1991 Huff et al. 297/461
D357,148 S * 4/1995 Altis et al. D6/499

(75) Inventors: **Mark A. Goldberg**, Lido Beach, NY
(US); **Su-Ming Chen**, Kaohsiung (TW)

* cited by examiner

(73) Assignee: **Global Equipment Co., Inc.** DE (US)

Primary Examiner—Sandra Snapp
(74) *Attorney, Agent, or Firm*—Davidoff Malito & Hutcher,
LLP

(**) Term: **14 Years**

(57) **CLAIM**

(21) Appl. No.: **29/303,961**

The ornamental design for a stool, as shown and described.

(22) Filed: **Feb. 21, 2008**

DESCRIPTION

(51) **LOC (8) Cl.** **06-01**

(52) **U.S. Cl.** **D6/349**

(58) **Field of Classification Search** D6/349–353,
D6/355, 363, 364, 500–502, 511; 297/16.1,
297/118, 175, 195.1, 423.1, 423.14, 423.39,
297/423.41, 440.1, 440.12, 461, 462; 108/150
See application file for complete search history.

FIG. 1 is a perspective view of a stool in accordance with the
present invention;

FIG. 2 is a left side view thereof;

FIG. 3 is a rear side view thereof;

FIG. 4 is a right side view thereof;

FIG. 5 is a front side view thereof;

FIG. 6 is a top side view thereof; and,

FIG. 7 is a bottom side view thereof.

The broken lines form no part of the claimed design.

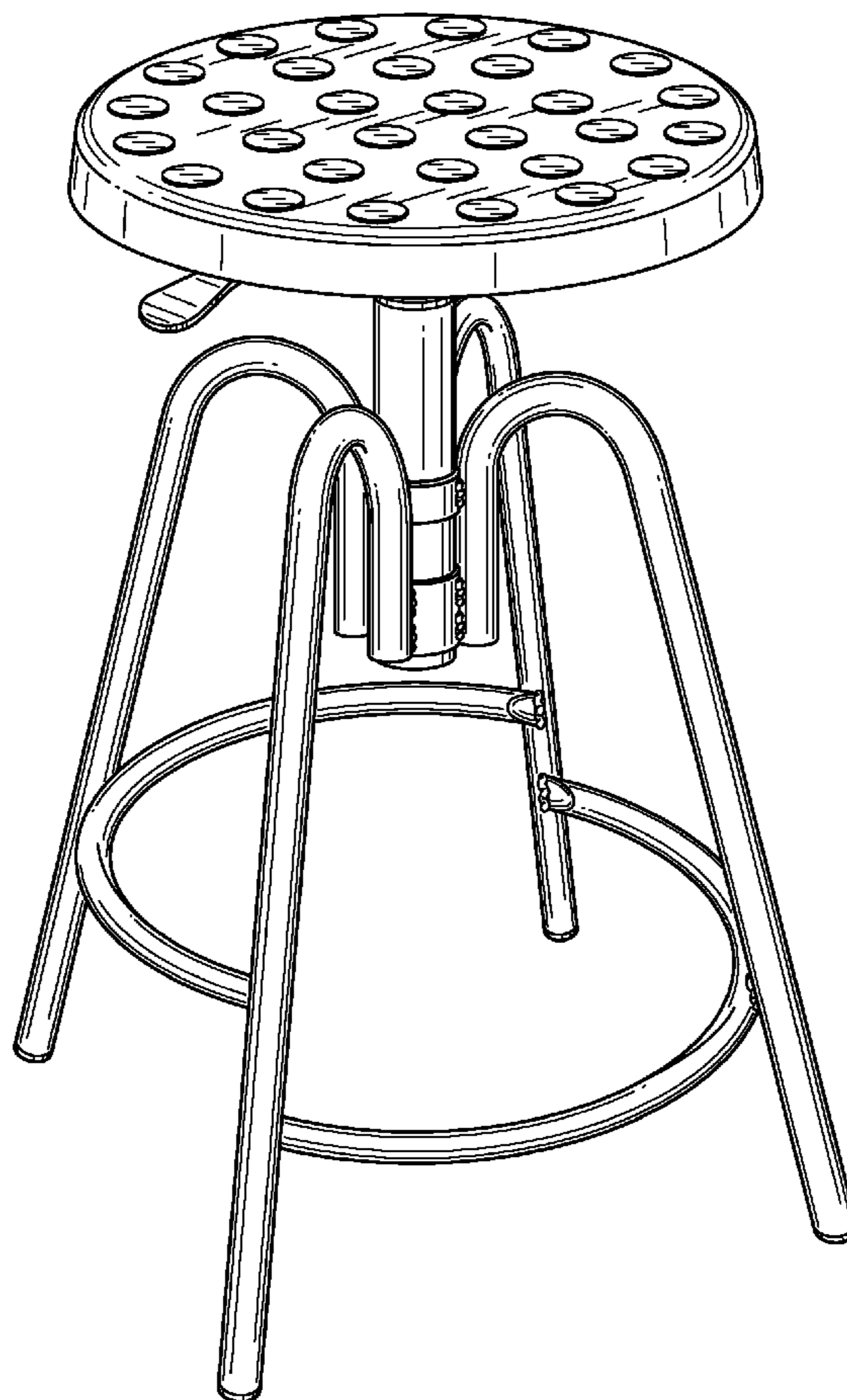
(56) **References Cited**

U.S. PATENT DOCUMENTS

D232,880 S * 9/1974 Samhammer D6/352

D244,107 S * 4/1977 Zola D6/352

1 Claim, 6 Drawing Sheets



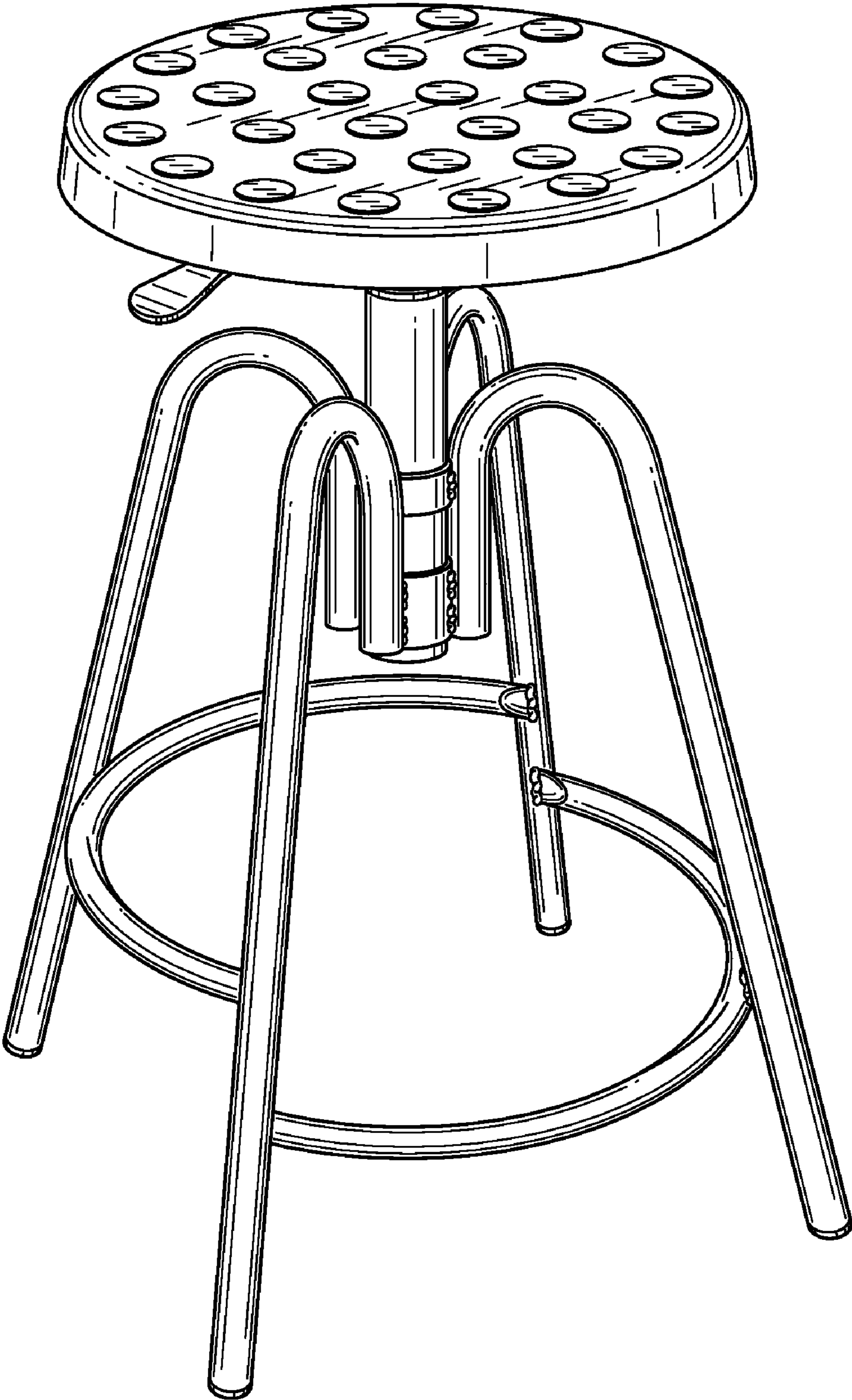


FIG. 1

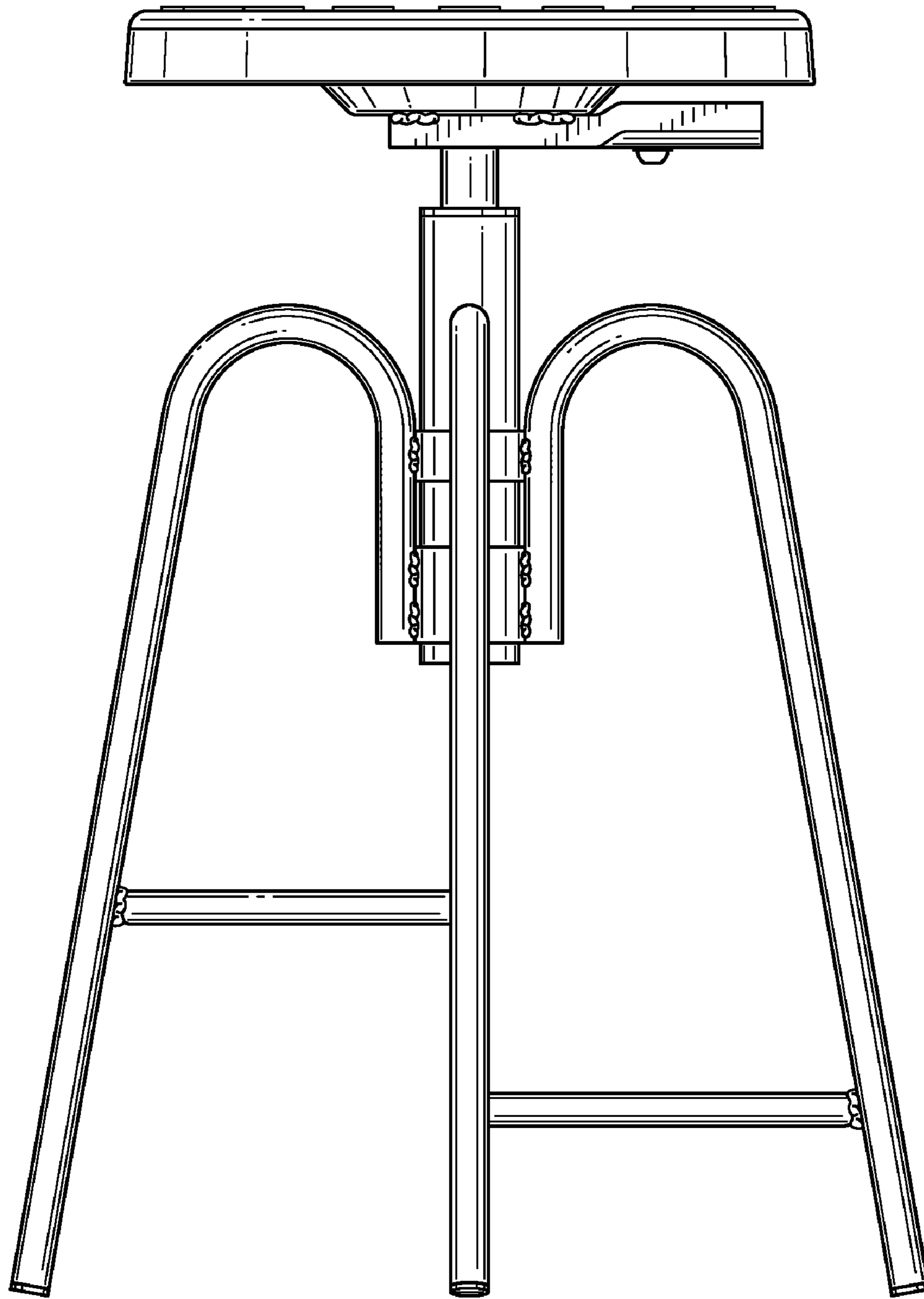


FIG. 2

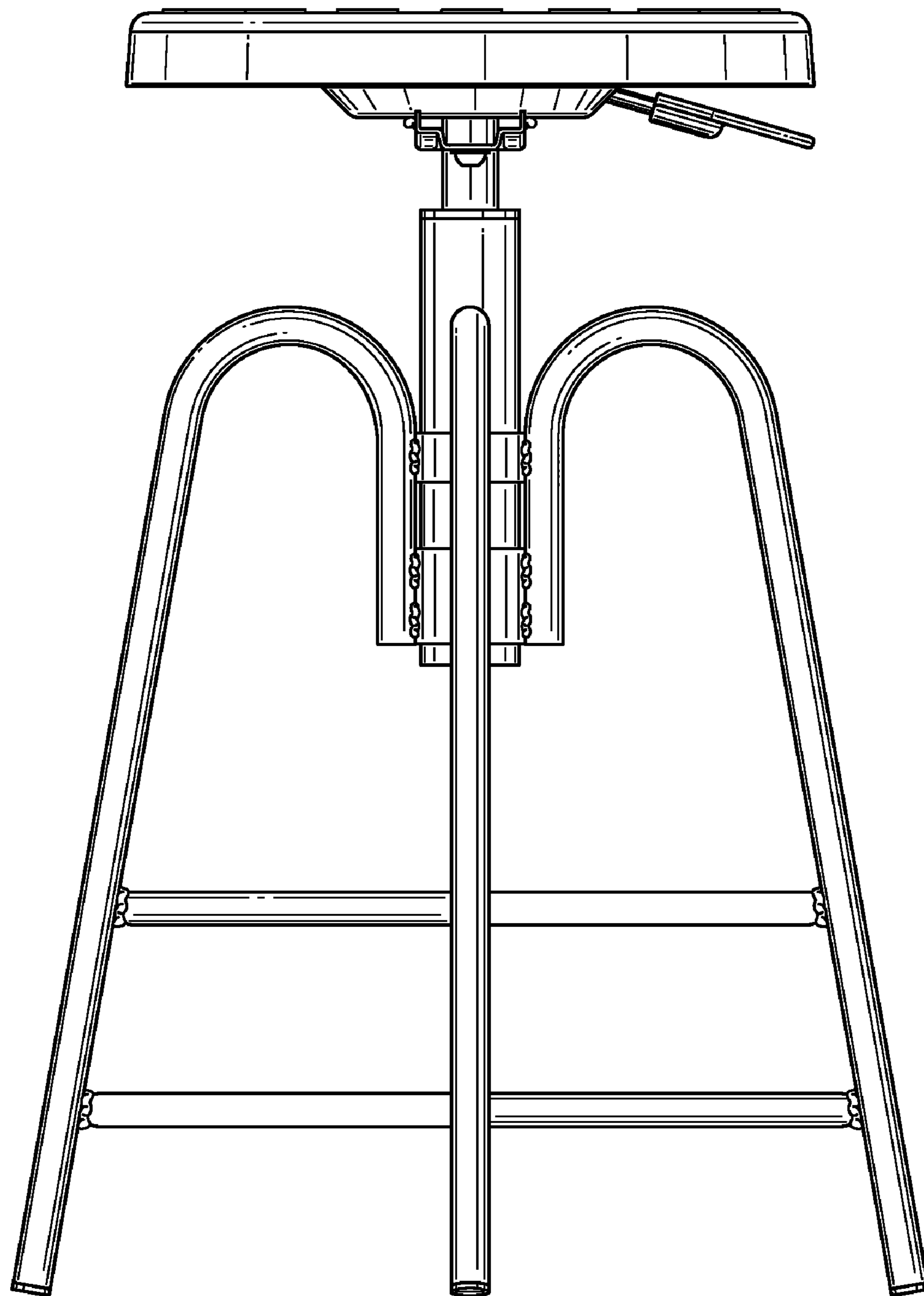


FIG. 3

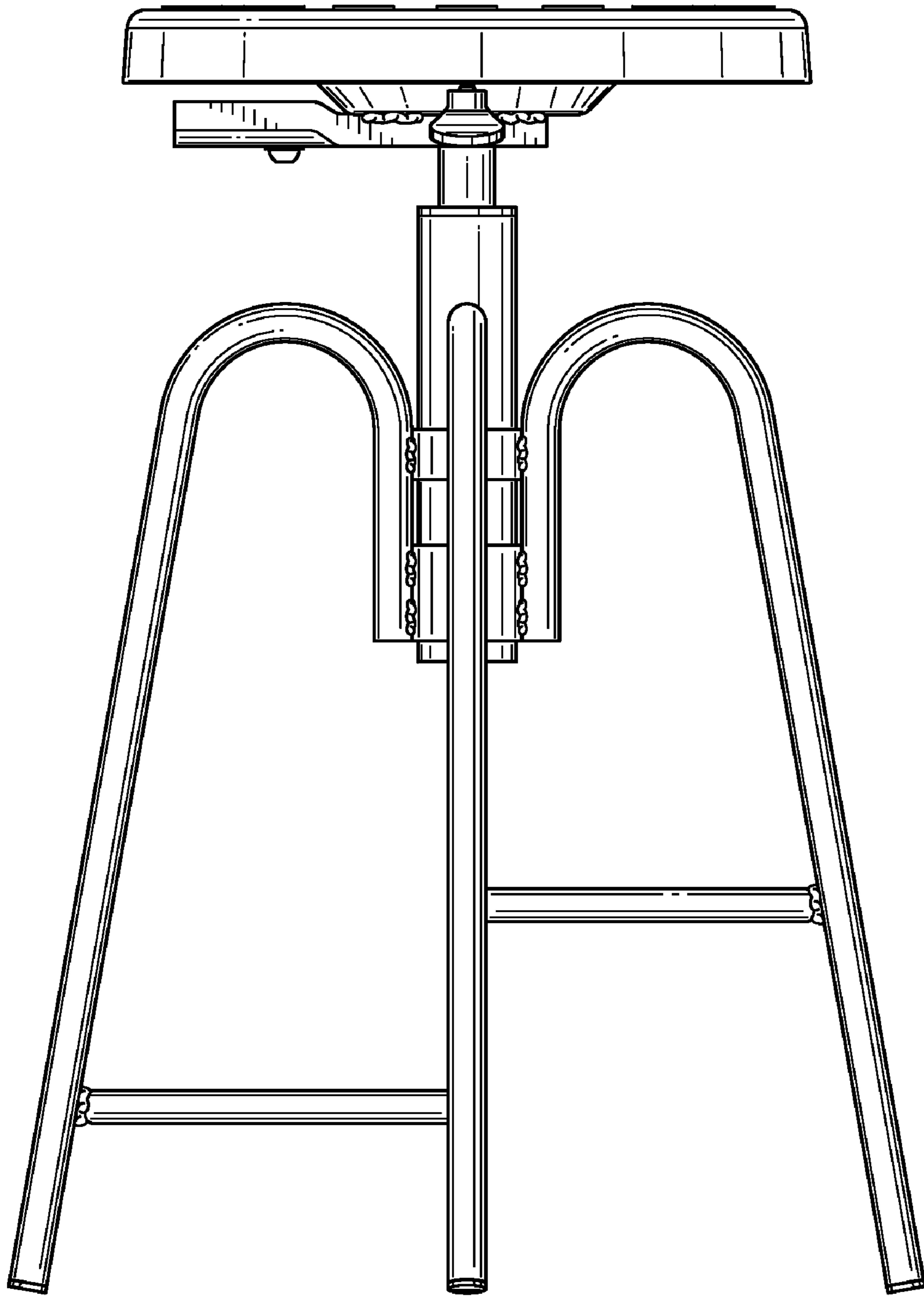


FIG. 4

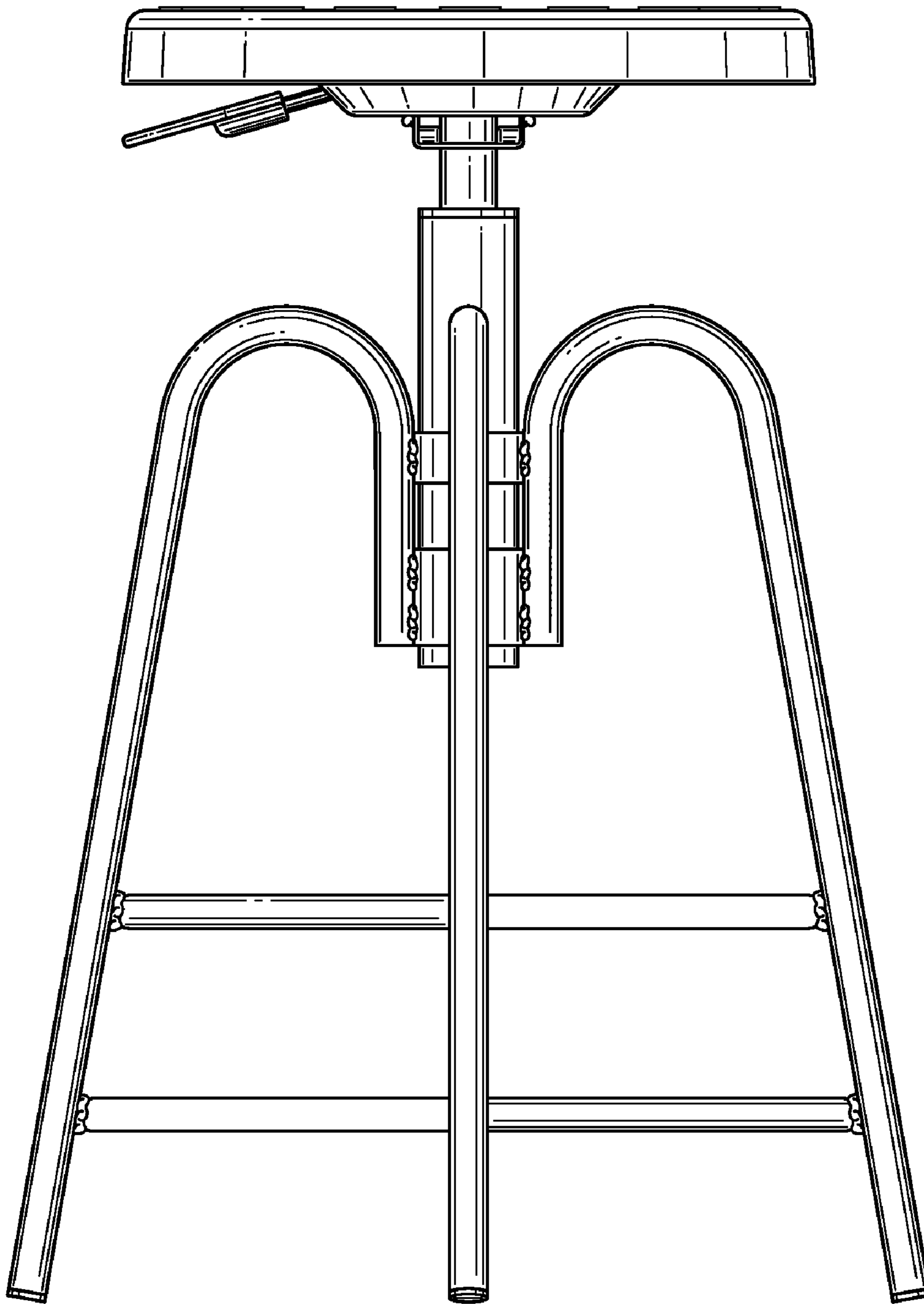


FIG. 5

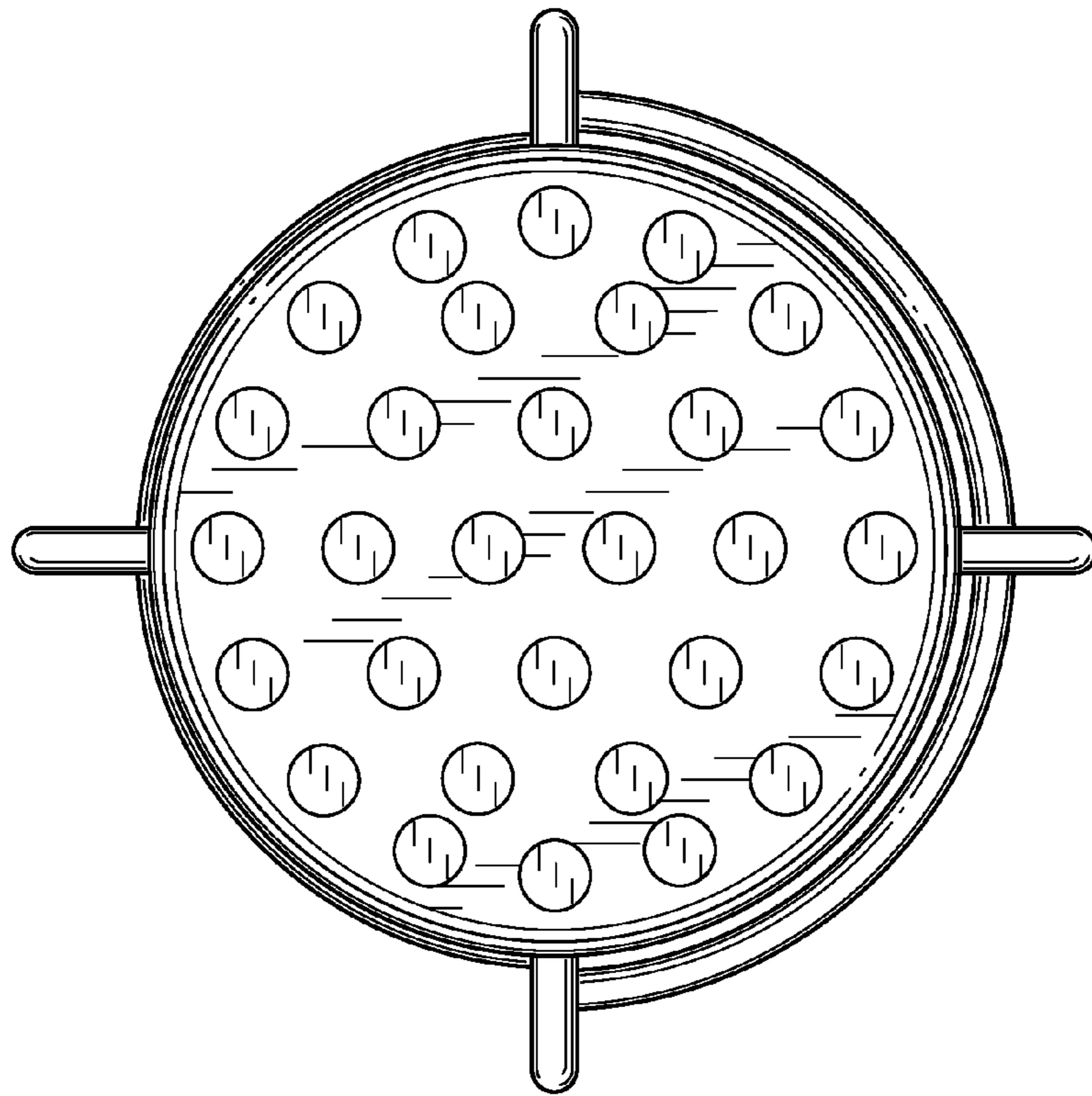


FIG. 6

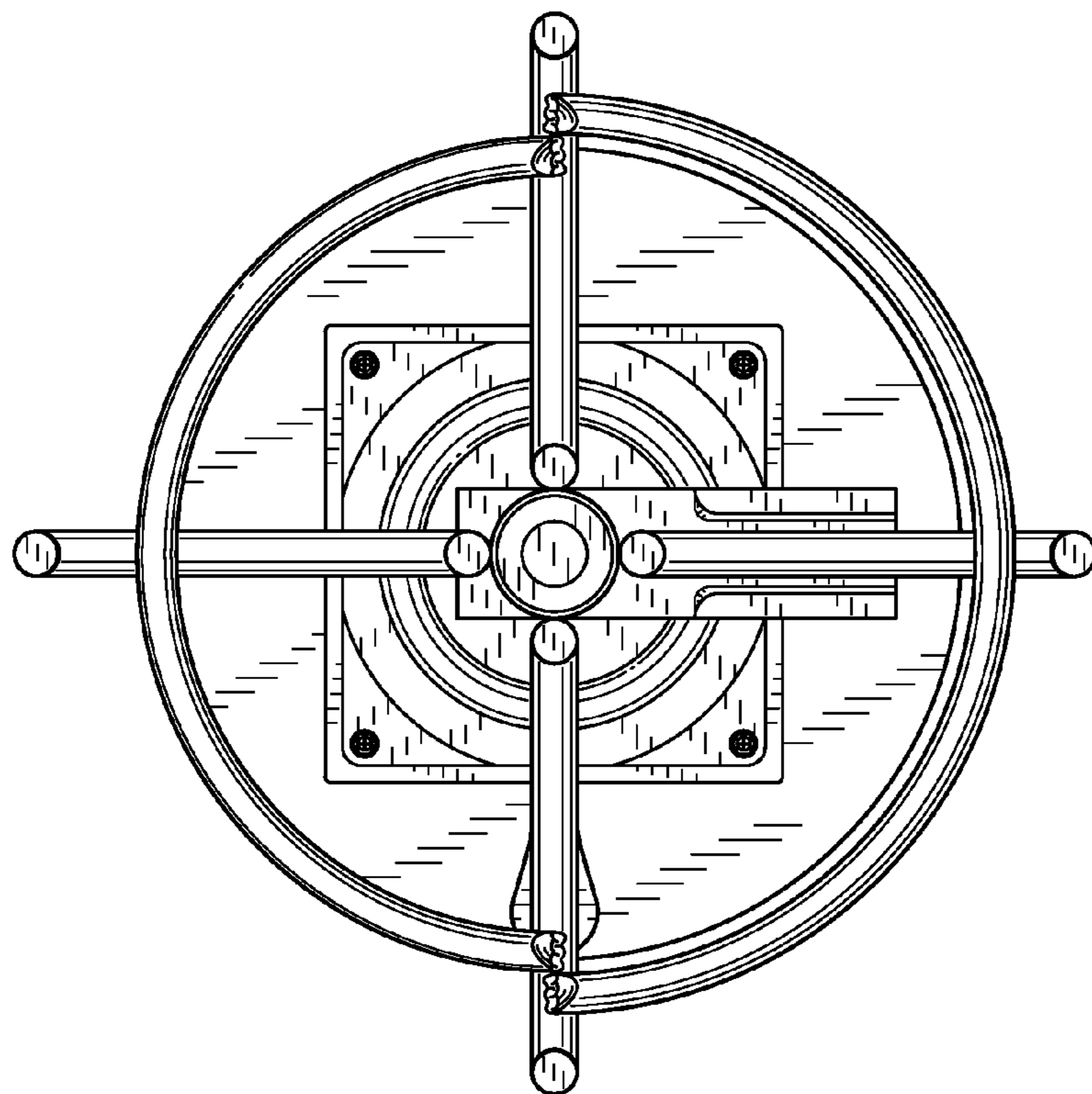


FIG. 7