



US00D575539S

(12) **United States Design Patent**  
**Tomasi**

(10) **Patent No.:** **US D575,539 S**  
(45) **Date of Patent:** **\*\* Aug. 26, 2008**

(54) **INFANTS HIGHCHAIR**

D478,219 S \* 8/2003 Greger ..... D6/339  
6,666,505 B2 \* 12/2003 Greger et al. .... 297/148  
6,932,426 B2 \* 8/2005 Greger ..... 297/149

(75) Inventor: **Ivan Tomasi**, Sovizzo (IT)

(73) Assignee: **L'Inglesina Baby S.p.A.**, Altavilla  
Vicentina (IT)

(\*\*) Term: **14 Years**

(21) Appl. No.: **29/300,264**

(22) Filed: **Mar. 6, 2008**

(30) **Foreign Application Priority Data**

Sep. 11, 2007 (EM) ..... 000788179

(51) **LOC (8) Cl.** ..... **06-01**

(52) **U.S. Cl.** ..... **D6/339**

(58) **Field of Classification Search** ..... D6/333,  
D6/335, 339, 491, 499-502; D12/129; D21/412,  
D21/416, 419; 280/30, 31; 5/93.1, 93.2,  
5/94, 98.1, 99.1, 101, 102, 655; 297/183.1,  
297/183.2, 183.3, 183.4, 184.14, 184.15,  
297/250.1, 255, 256.15, 256.16

See application file for complete search history.

(56) **References Cited**

**U.S. PATENT DOCUMENTS**

2,731,072 A \* 1/1956 Post ..... 297/6  
6,283,042 B1 \* 9/2001 Wargo et al. .... 108/26

\* cited by examiner

*Primary Examiner*—Sandra Snapp  
(74) *Attorney, Agent, or Firm*—Modiano & Associati; Albert  
Josif; Daniel J. O’Byrne

(57) **CLAIM**

The ornamental design for the “infants highchair”, as shown  
and described.

**DESCRIPTION**

FIG. 1 is a perspective view of the “infants highchair”, show-  
ing my new design;

FIG. 2 is a front elevation view thereof;

FIG. 3 is a rear elevation view thereof;

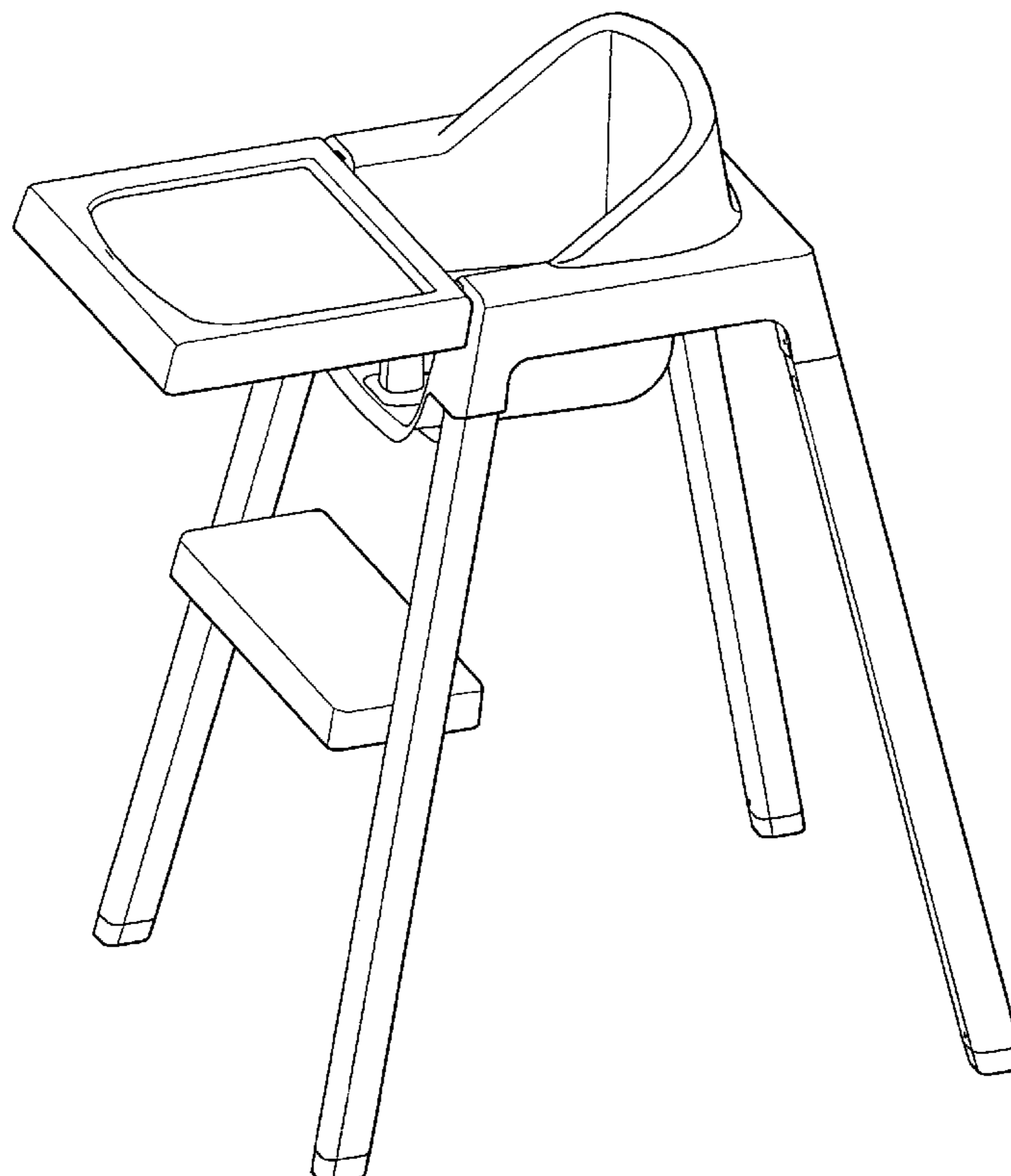
FIG. 4 is a side elevation view thereof;

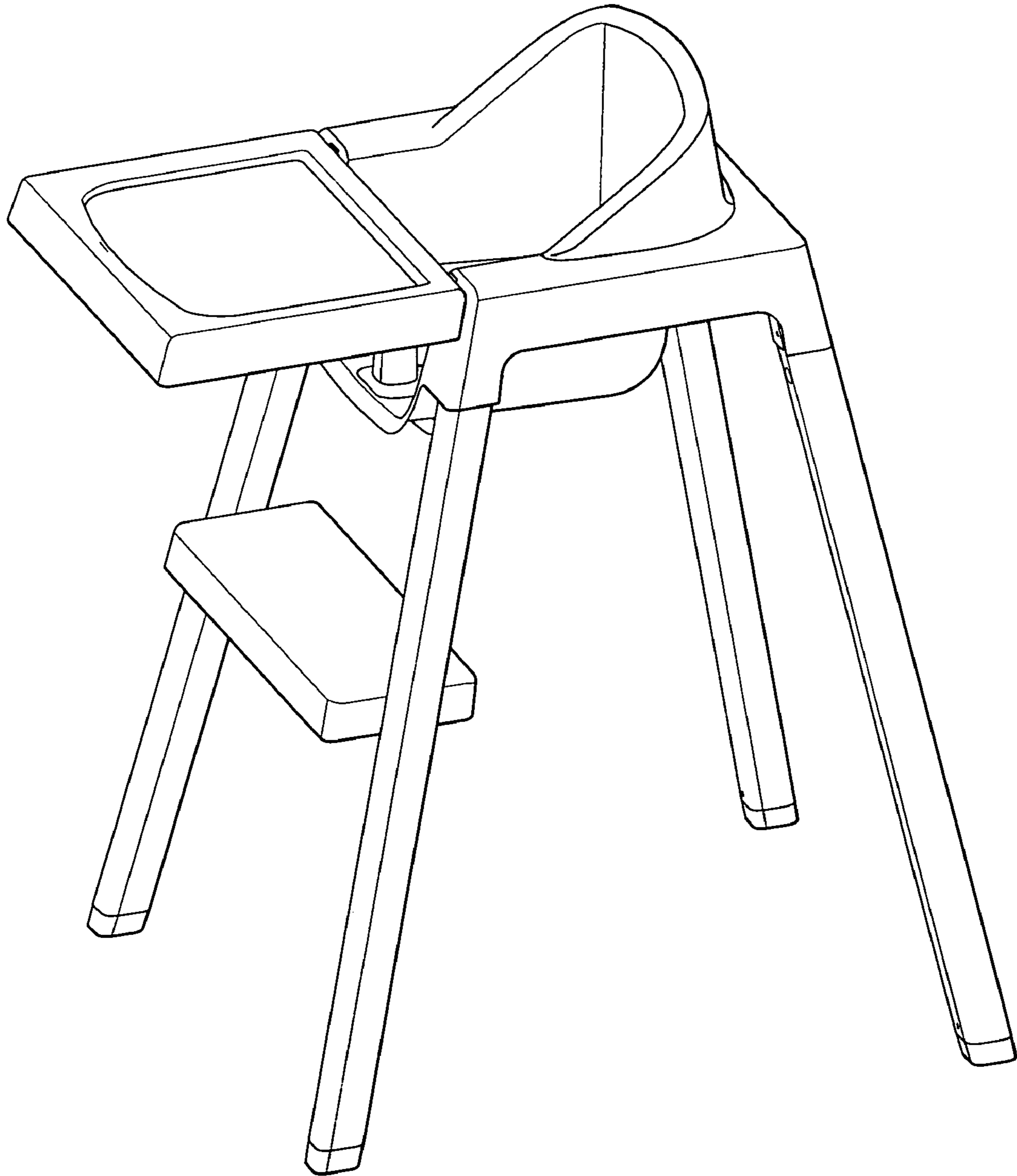
FIG. 5 is another side elevation view thereof;

FIG. 6 is a top plan view thereof; and,

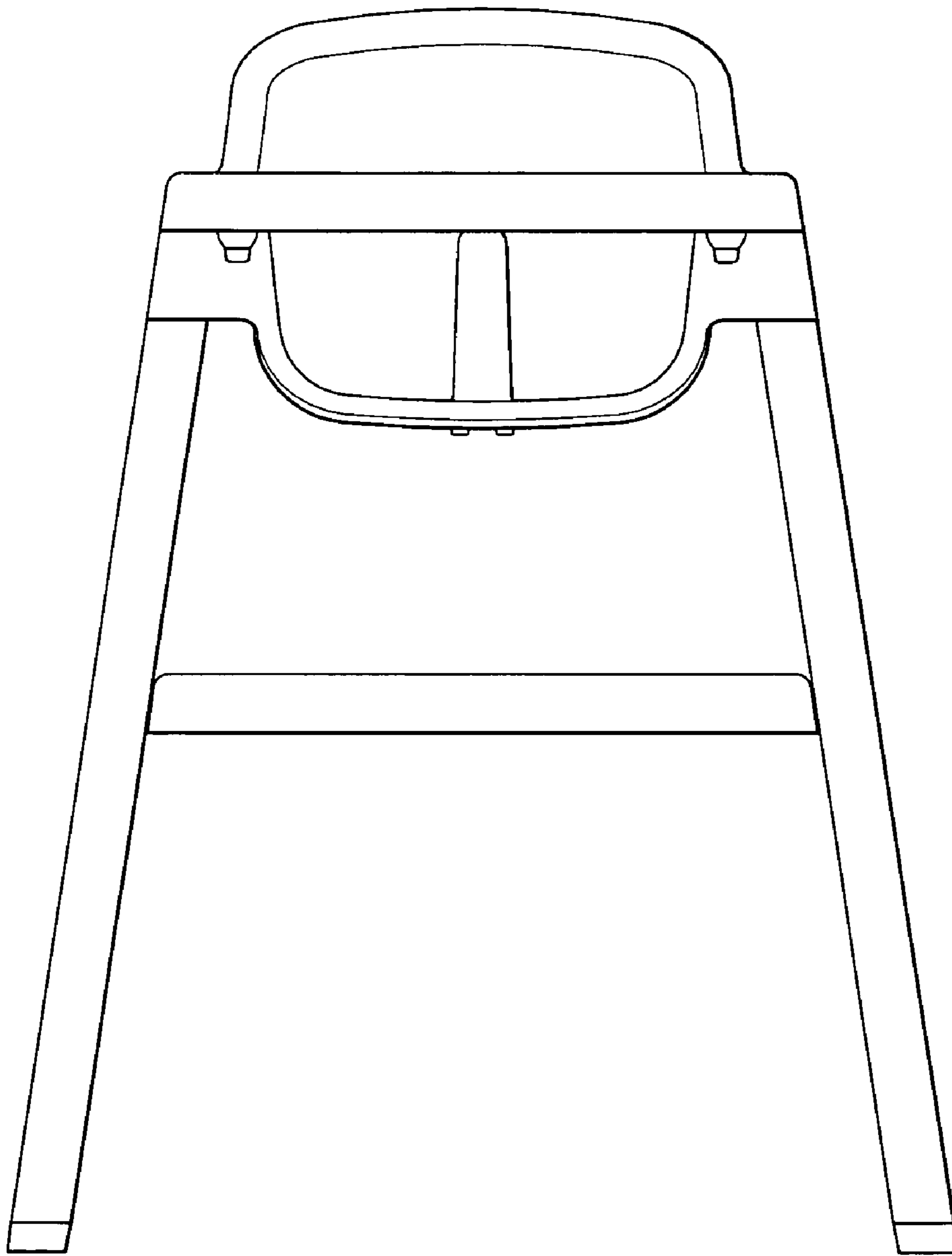
FIG. 7 is a bottom plan view thereof.

**1 Claim, 7 Drawing Sheets**

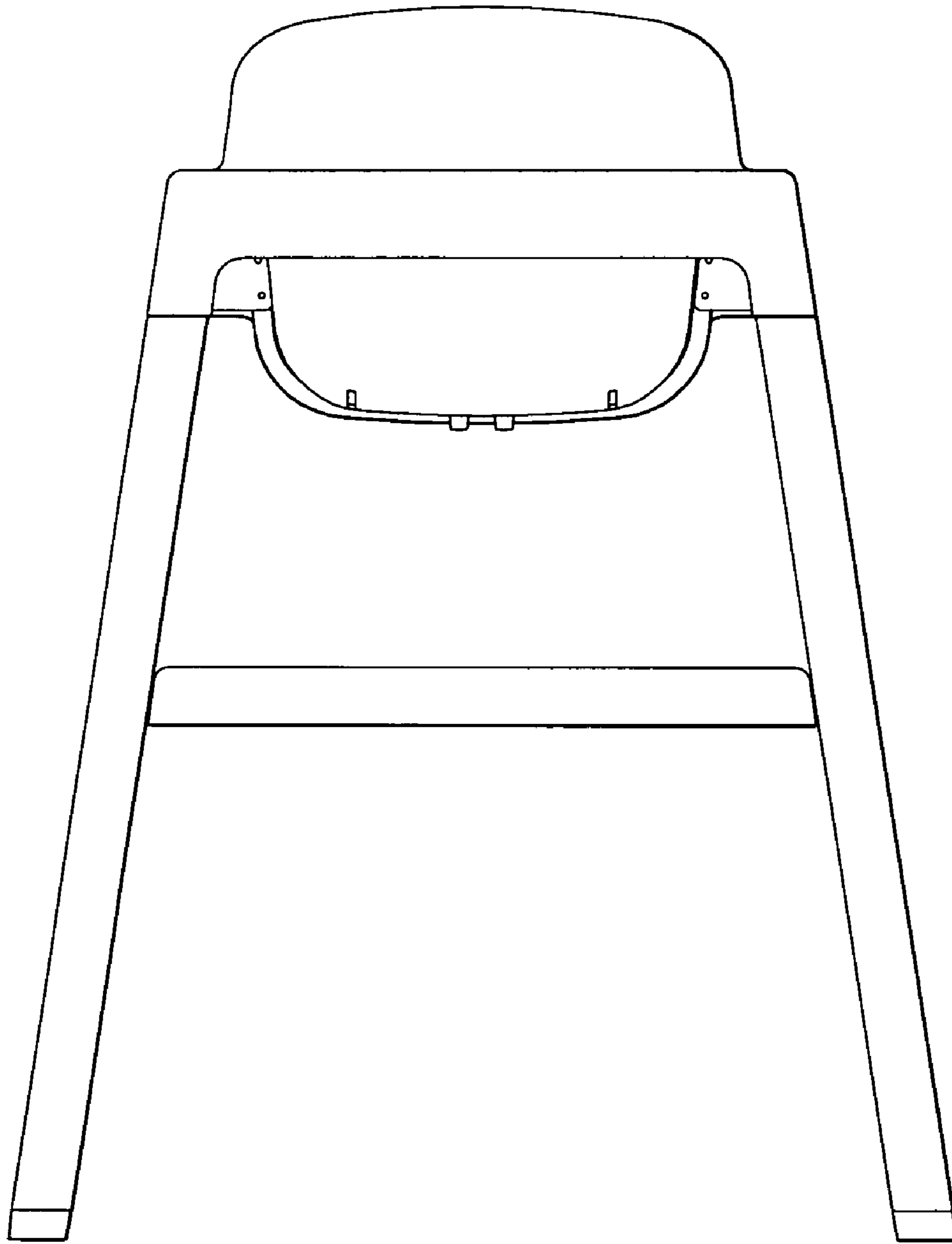




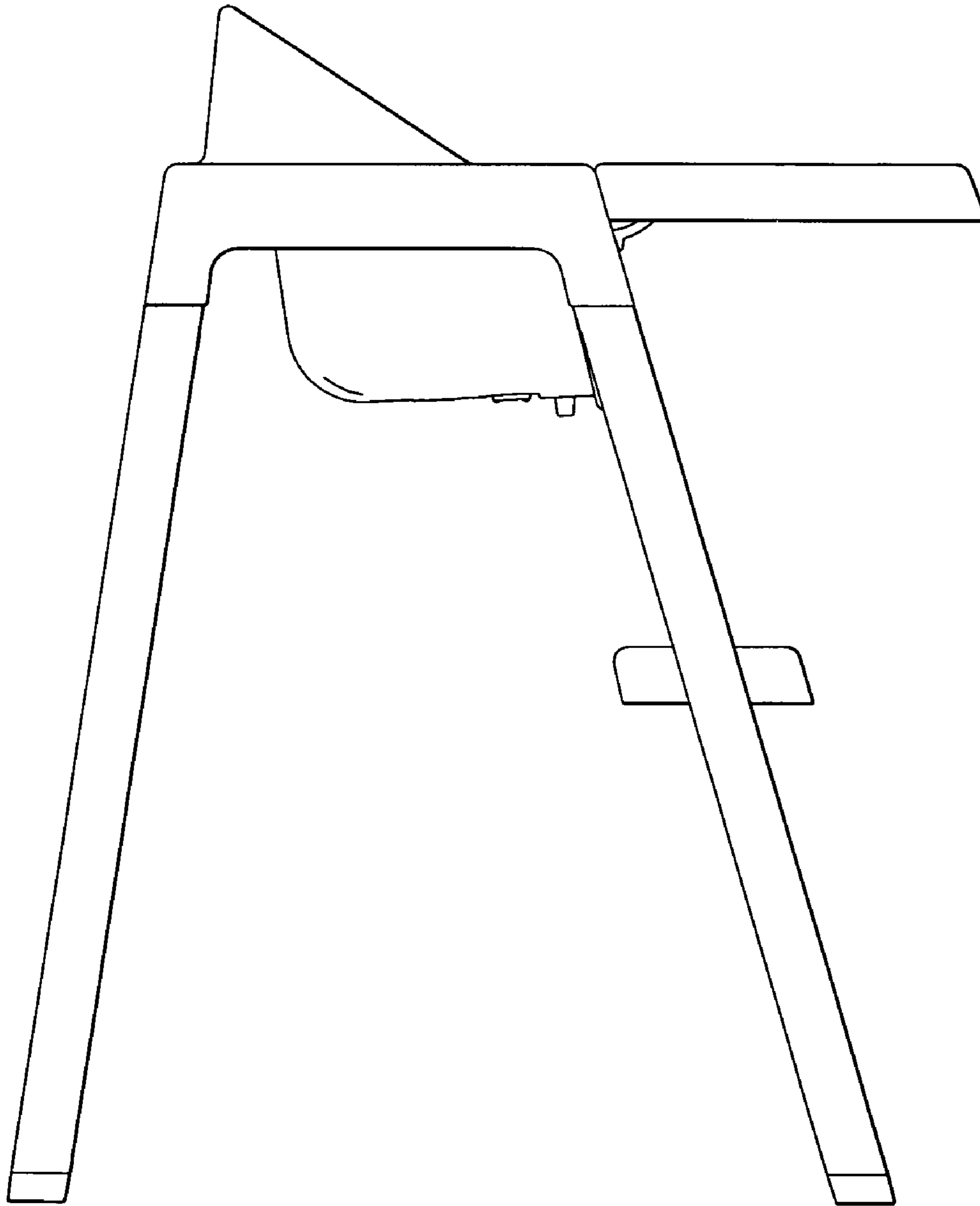
*Fig. 1*



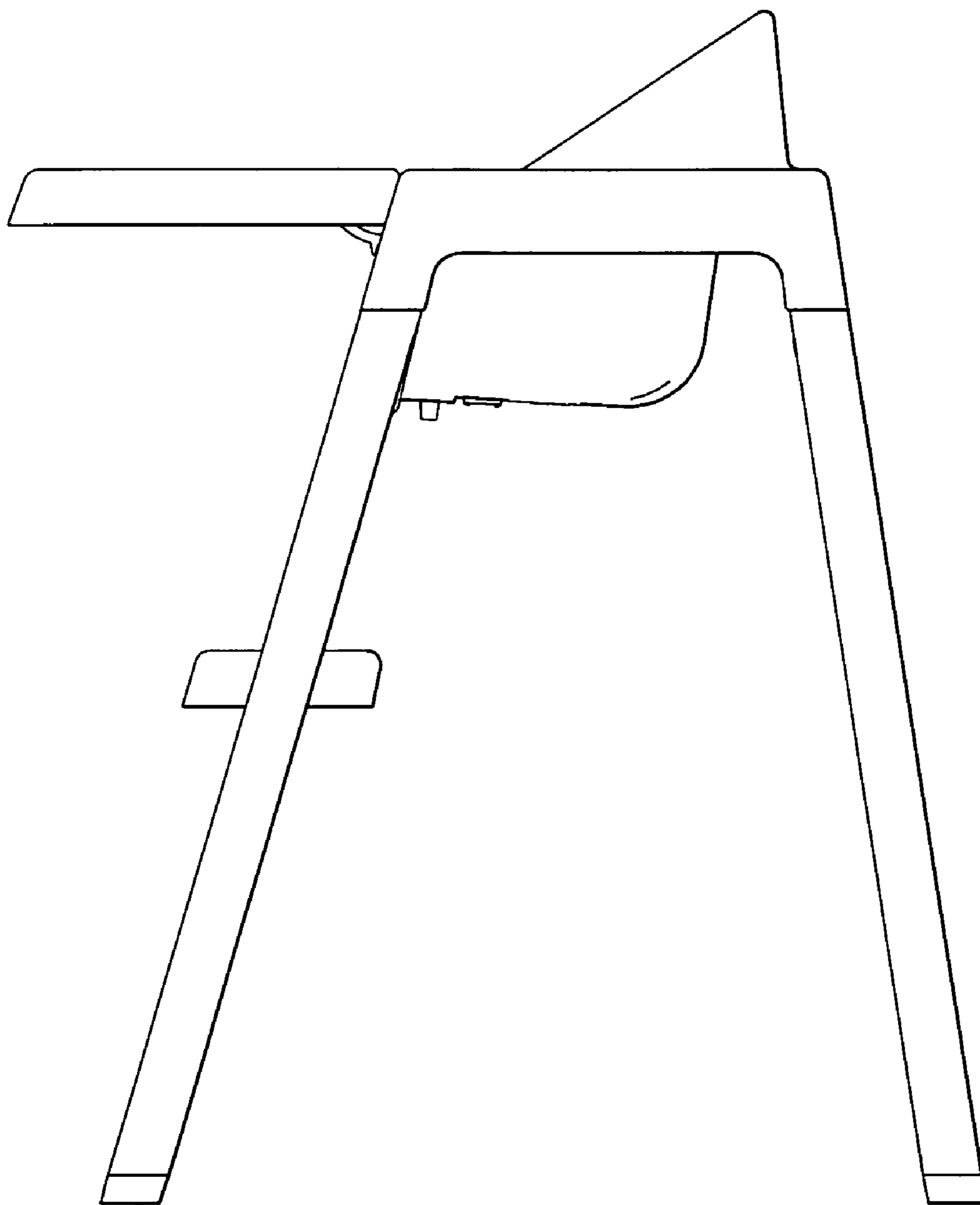
*Fig. 2*



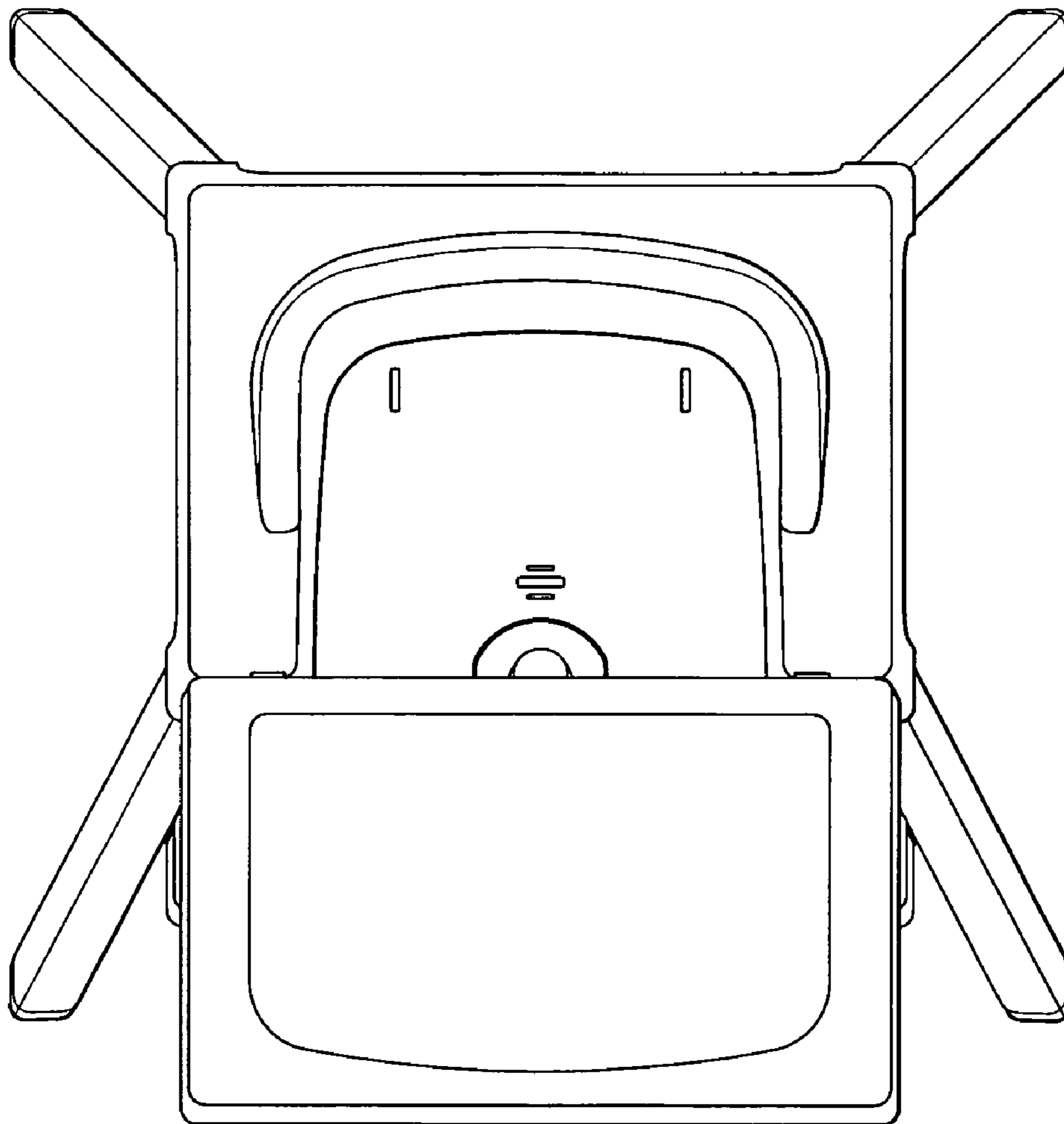
*Fig. 3*



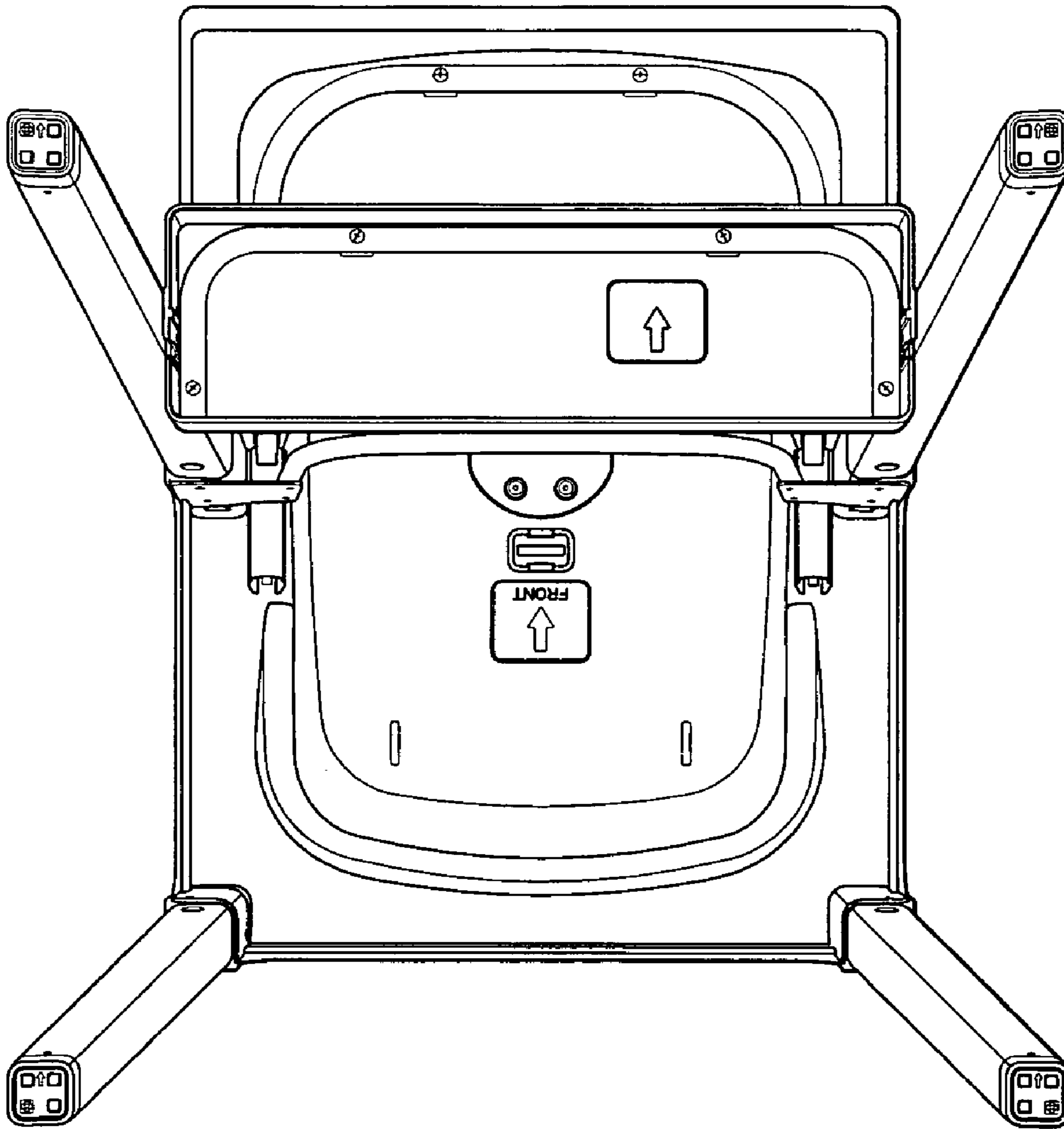
*Fig. 4*



*Fig. 5*



*Fig. 6*



*Fig. 7*