



US00D575538S

(12) **United States Design Patent**
Tomasi

(10) **Patent No.:** **US D575,538 S**

(45) **Date of Patent:** **** Aug. 26, 2008**

(54) **INFANTS HIGHCHAIR**

(75) **Inventor:** **Ivan Tomasi, Sovizzo (IT)**

(73) **Assignee:** **L'Inglesina Baby S.p.A., Altavilla
Vicentina (IT)**

(**) **Term:** **14 Years**

(21) **Appl. No.:** **29/300,263**

(22) **Filed:** **Mar. 6, 2008**

(30) **Foreign Application Priority Data**

Sep. 11, 2007 (EM) 000788179

(51) **LOC (8) Cl.** **06-01**

(52) **U.S. Cl.** **D6/339**

(58) **Field of Classification Search** D6/333,
D6/335, 339, 491, 499-502; D12/129; D21/412,
D21/416, 419; 280/30, 31; 5/93.1, 93.2,
5/94, 98.1, 99.1, 101, 102, 655; 297/183.1,
297/183.2, 183.3, 183.4, 184.14, 184.15,
297/250.1, 255, 256.15, 256.16

See application file for complete search history.

(56) **References Cited**

U.S. PATENT DOCUMENTS

4,723,813 A * 2/1988 Kassai 297/153
D362,554 S * 9/1995 Grundner D6/339

D365,449 S * 12/1995 Wood D6/333

D368,593 S * 4/1996 Cone, II D6/339

5,927,805 A * 7/1999 Hilger et al. 297/239

D451,689 S * 12/2001 Chen et al. D6/339

D454,007 S * 3/2002 Huang D6/339

* cited by examiner

Primary Examiner—Sandra Snapp

(74) *Attorney, Agent, or Firm*—Modiano & Associati; Albert
Josif; Daniel J. O'Byrne

(57) **CLAIM**

The ornamental design for the “infants highchair”, as shown
and described.

DESCRIPTION

FIG. 1 is a perspective view of the “infants highchair”, show-
ing my new design;

FIG. 2 is a front elevation view thereof;

FIG. 3 is a rear elevation view thereof;

FIG. 4 is a side elevation view thereof;

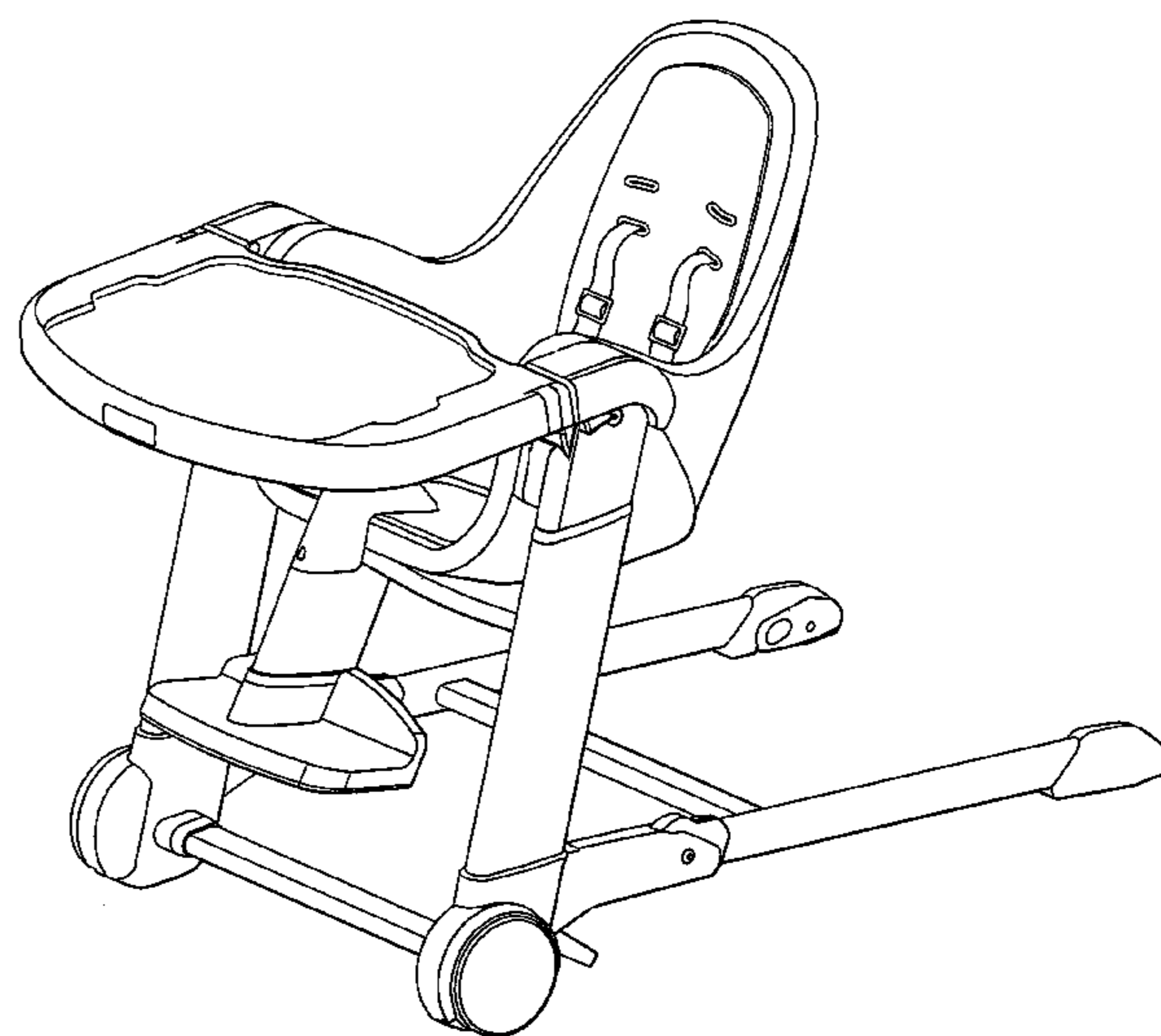
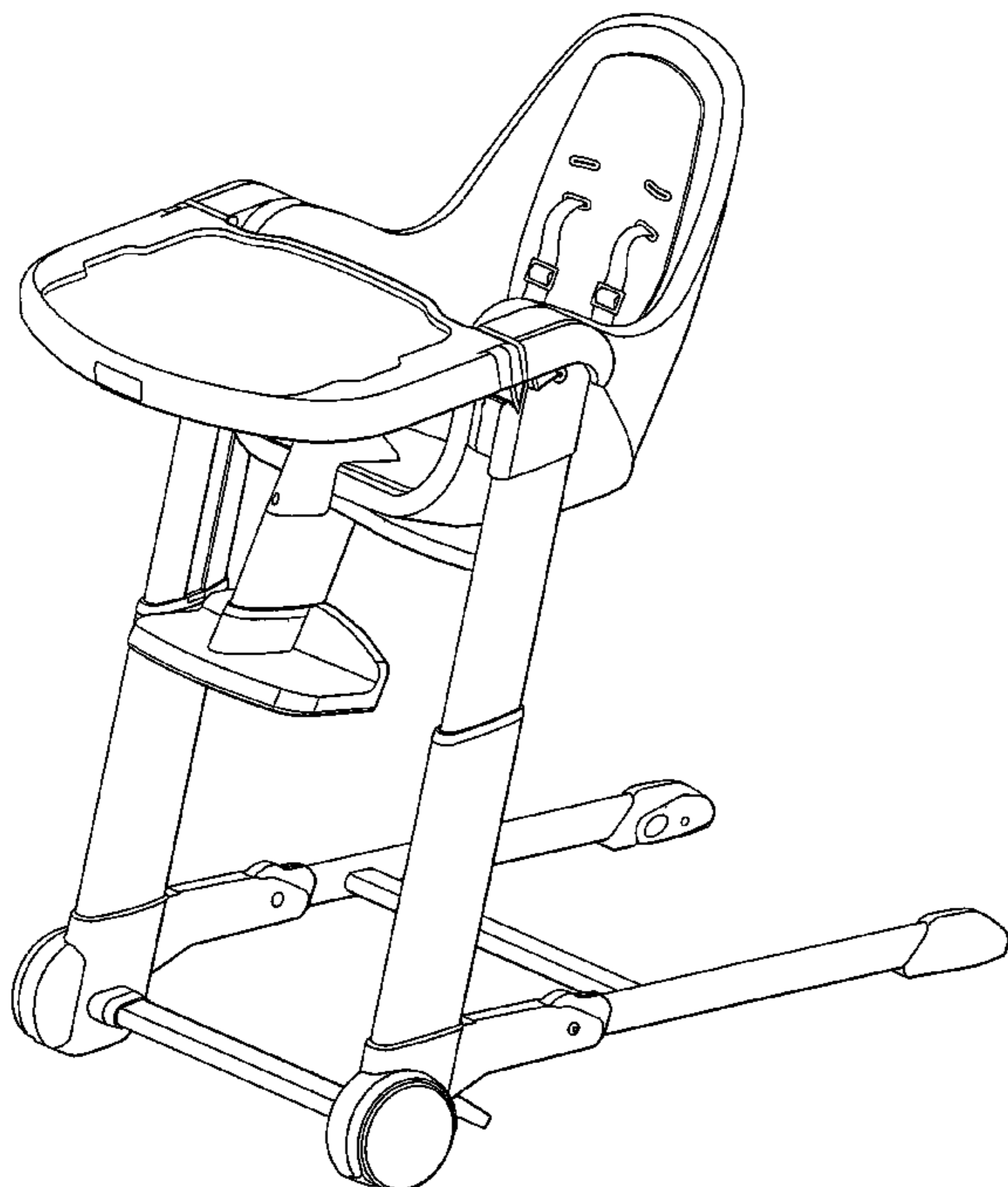
FIG. 5 is another side elevation view thereof;

FIG. 6 is a top plan view thereof;

FIG. 7 is a bottom plan view thereof; and,

FIG. 8 is a perspective view thereof, with the highchair in the
lowered condition.

1 Claim, 8 Drawing Sheets



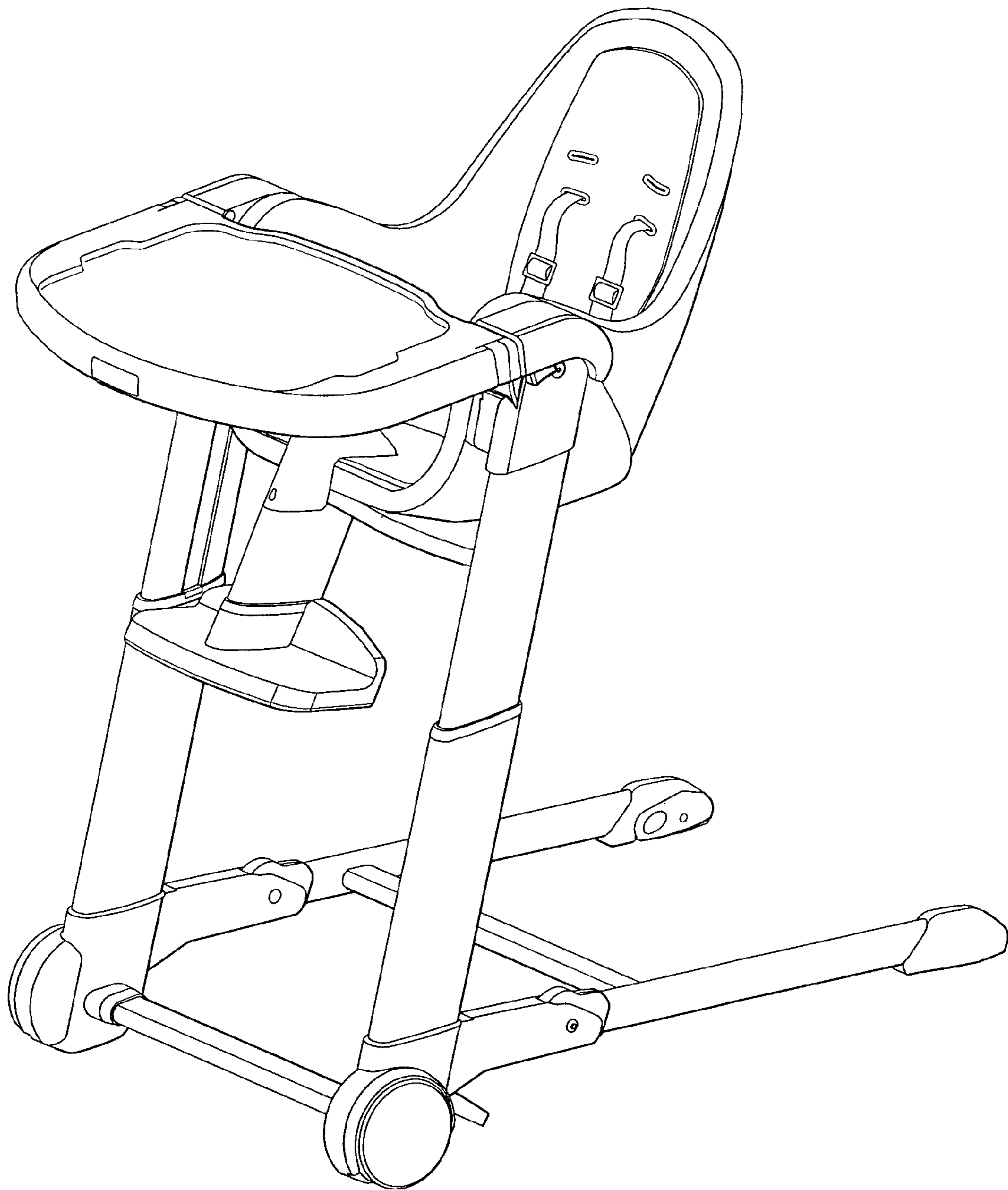


Fig. 1

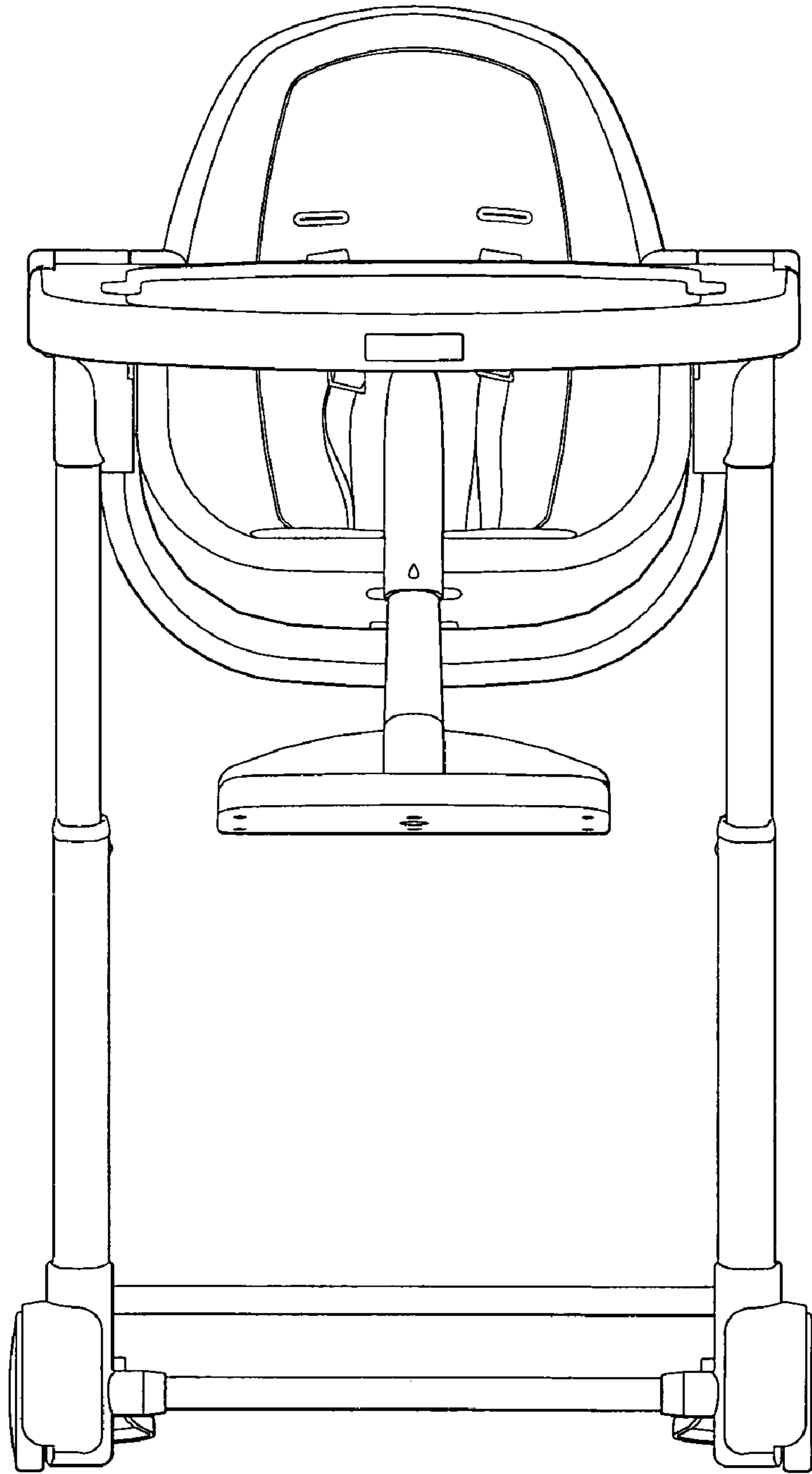


Fig. 2

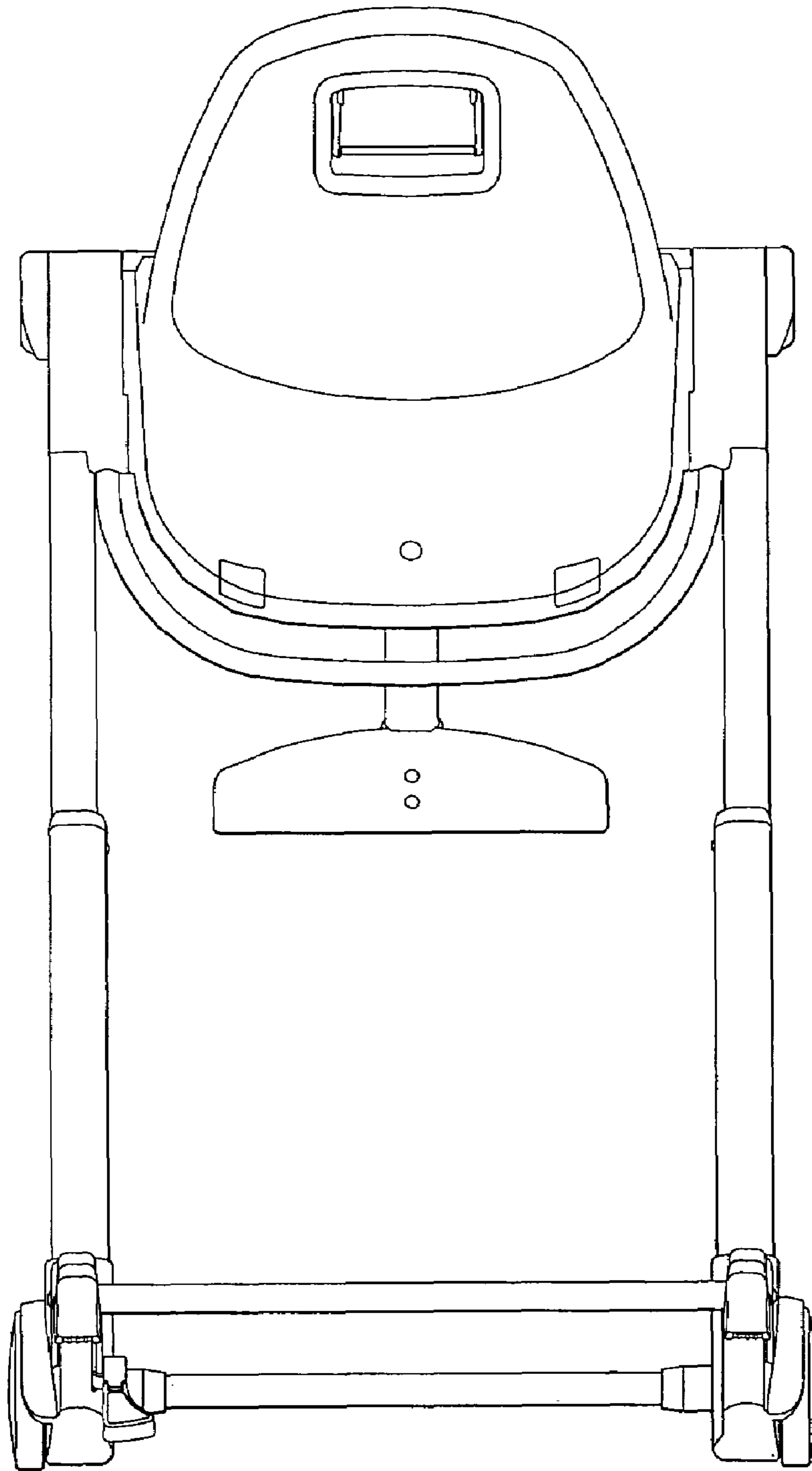


Fig. 3

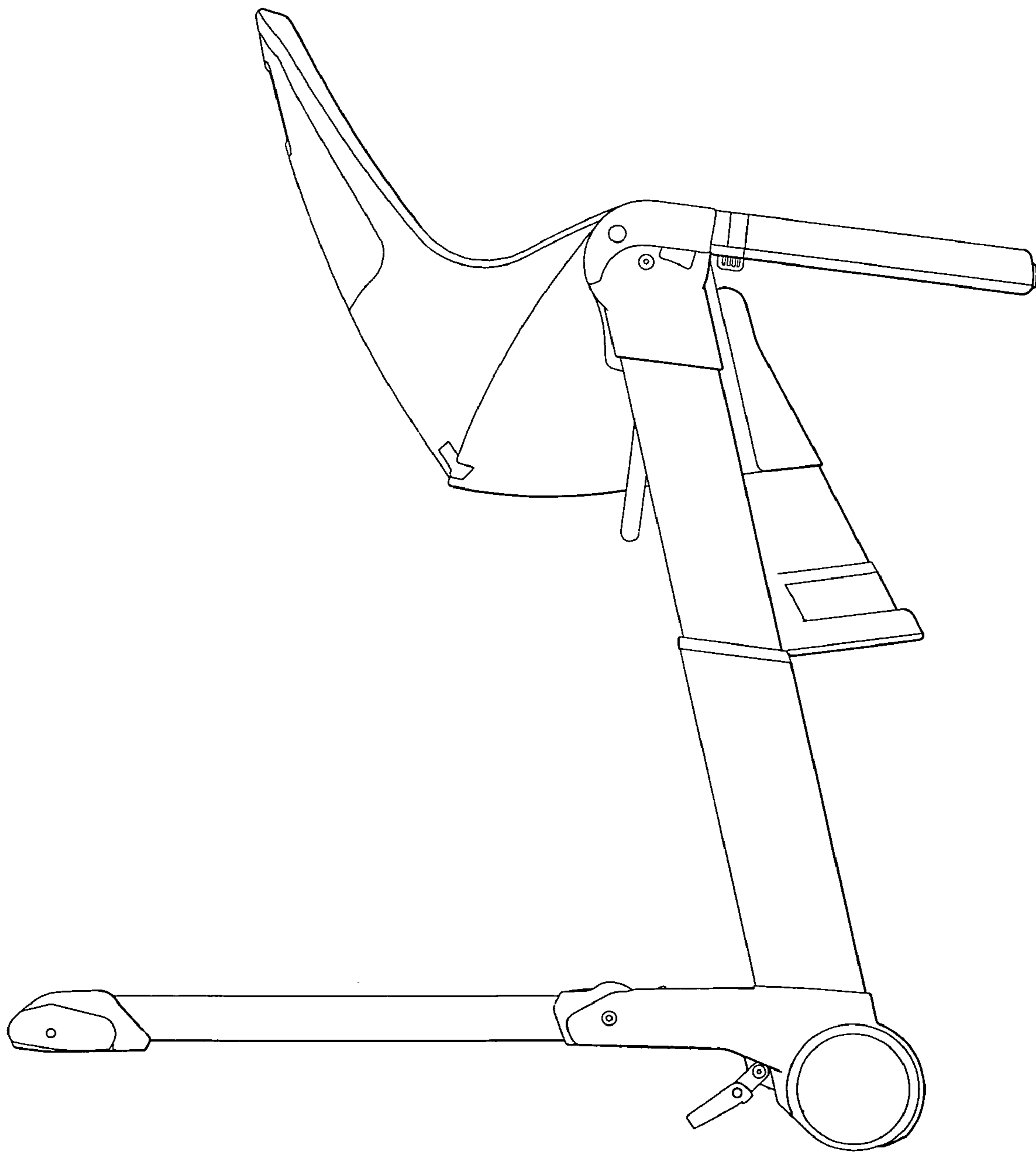


Fig. 4

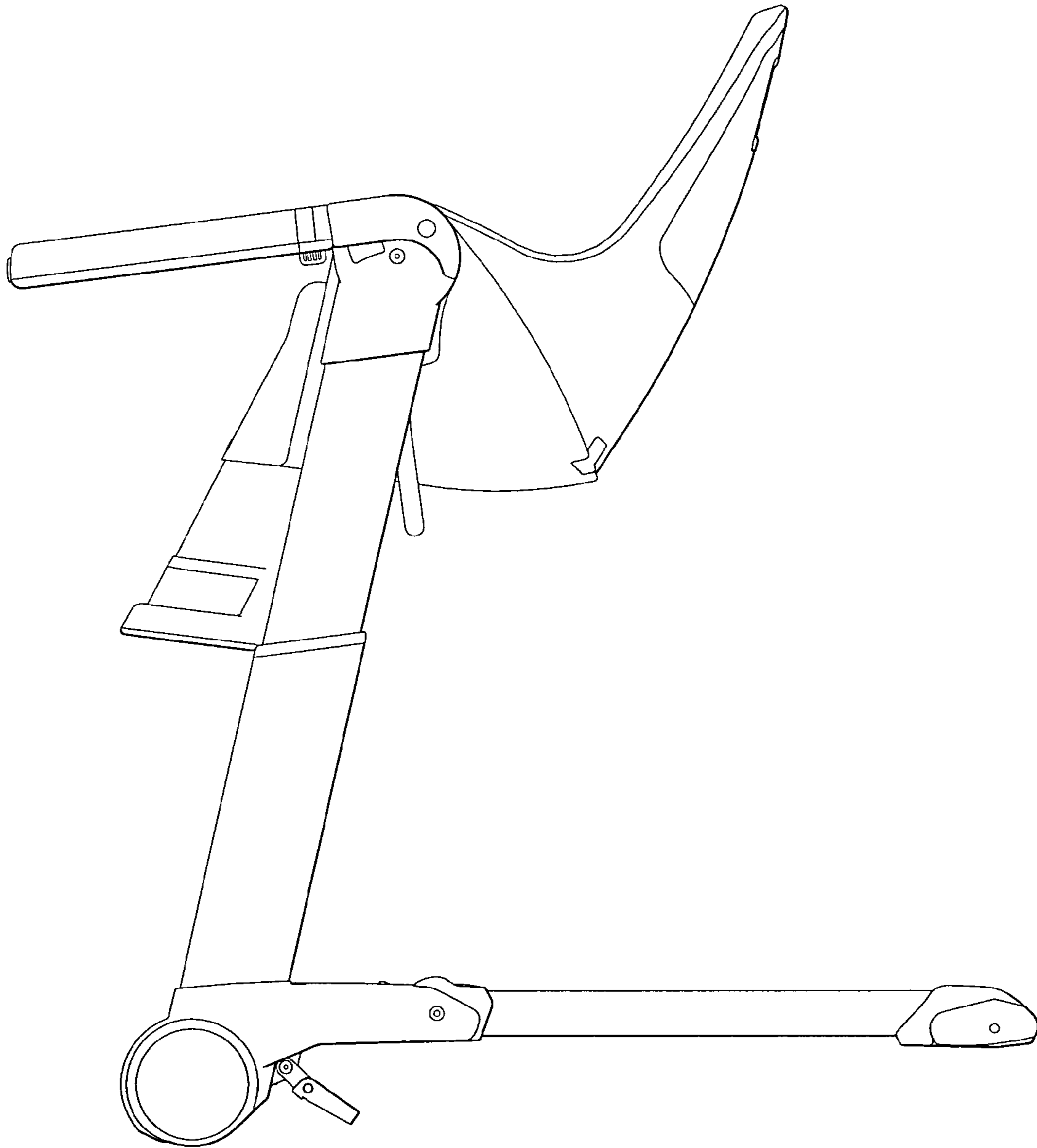


Fig. 5

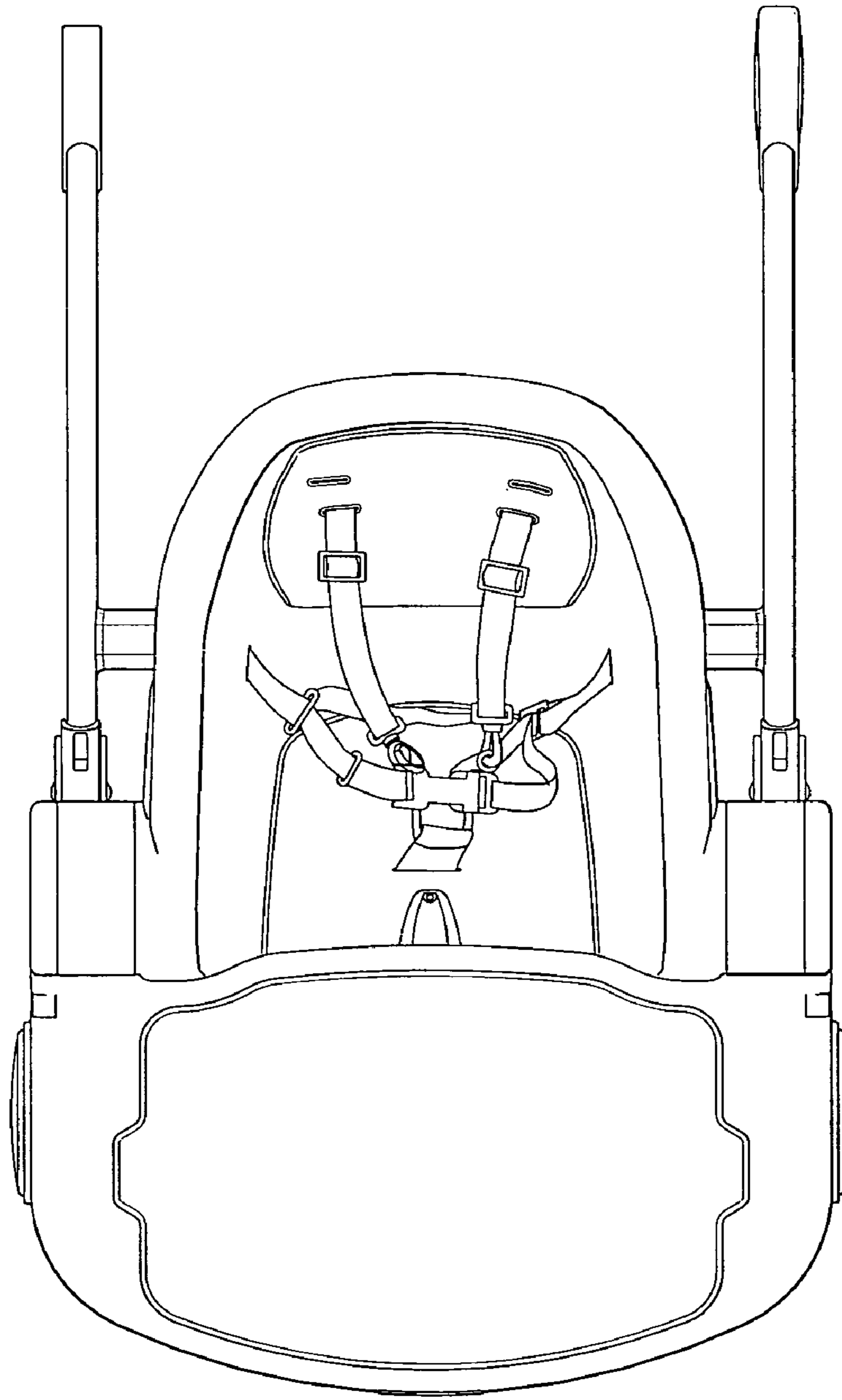


Fig. 6

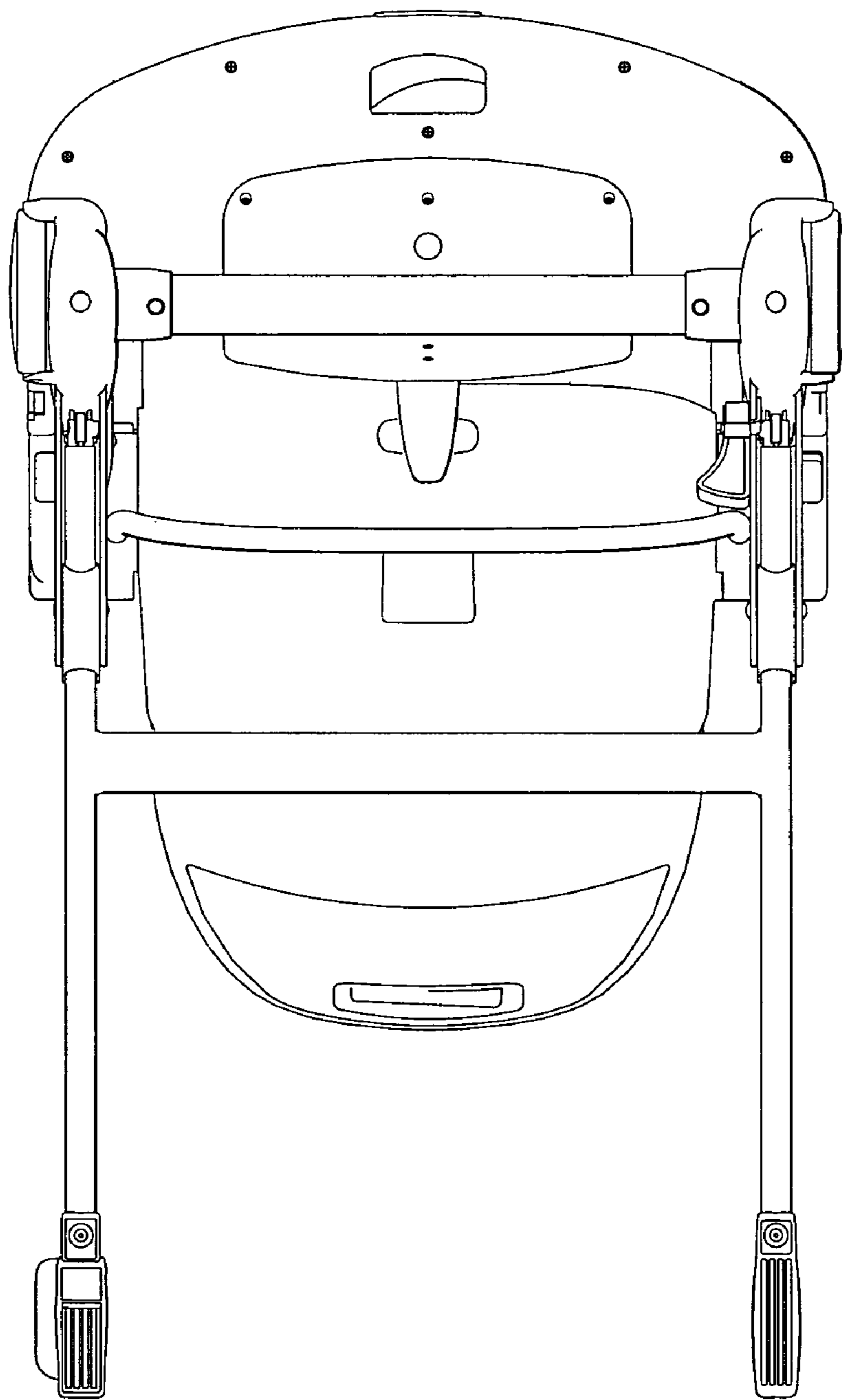


Fig. 7

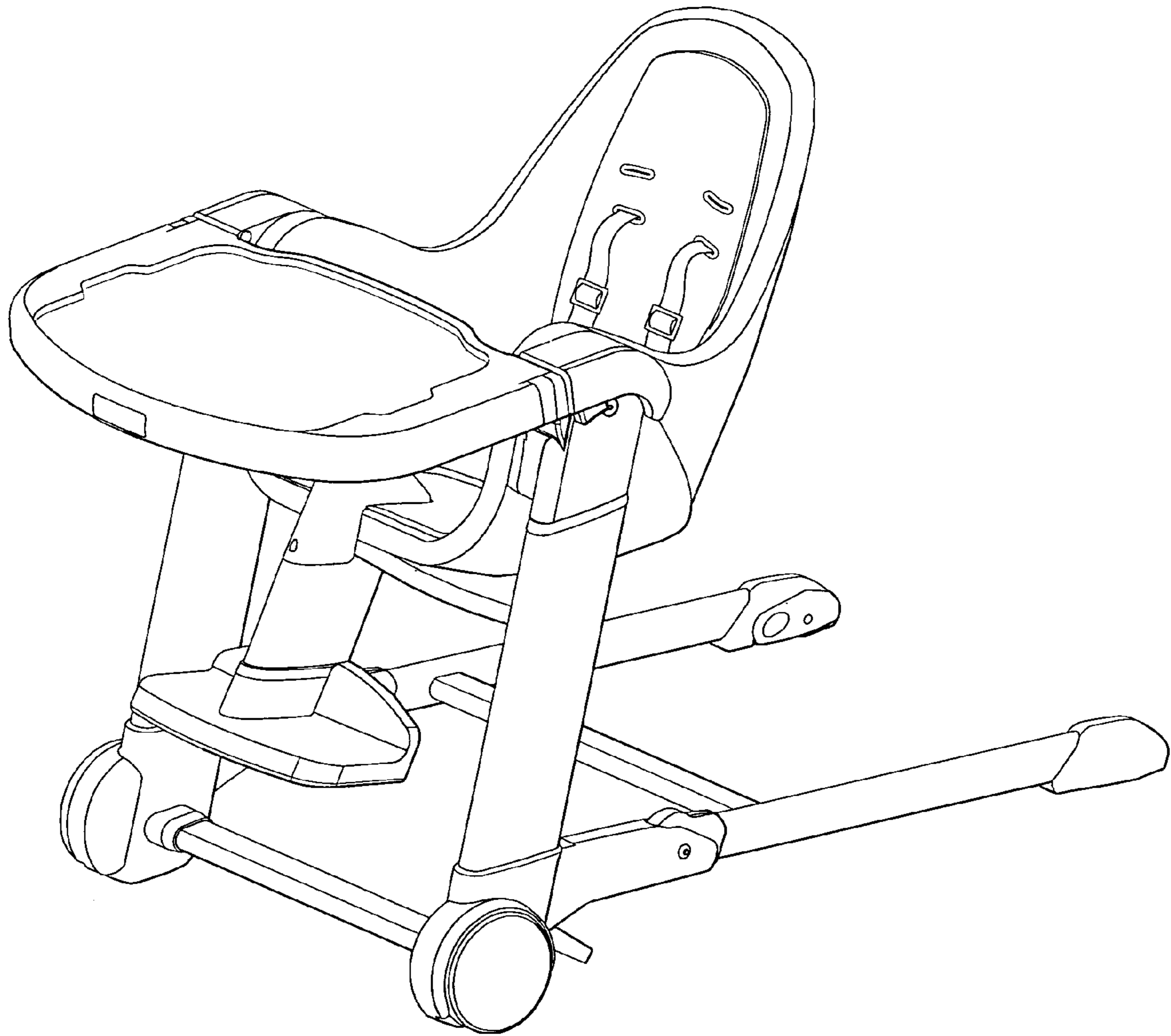


Fig. 8