



US00D575535S

(12) **United States Design Patent**
Bizzell

(10) **Patent No.:** **US D575,535 S**

(45) **Date of Patent:** **** Aug. 26, 2008**

(54) **BASSINET**

6,546,574 B1 * 4/2003 Bader 5/94

(75) Inventor: **Daniel Lee Bizzell**, Davidson, NC (US)

* cited by examiner

(73) Assignee: **Snuggle Nest, LLC**, Charlotte, NC (US)

Primary Examiner—Sandra Snapp

(**) Term: **14 Years**

(74) *Attorney, Agent, or Firm*—Tillman Wright, PLLC; Chad D. Tillman; James D. Wright

(21) Appl. No.: **29/298,441**

(57) **CLAIM**

(22) Filed: **Dec. 5, 2007**

The ornamental design for a bassinet, as shown and described.

(51) **LOC (8) Cl.** **06-01**

(52) **U.S. Cl.** **D6/333**

(58) **Field of Classification Search** D6/333,
D6/335, 339, 491, 499–502; D12/129; D21/412,
D21/416, 419; 280/30, 31; 5/93.1, 93.2,
5/94, 98.1, 99.1, 101, 102, 655; 297/183.1,
297/183.2, 183.3, 183.4, 184.14, 184.15,
297/250.1, 255, 256.15, 256.16

DESCRIPTION

See application file for complete search history.

FIG. 1 is a left elevational view of the design for a bassinet of the present invention, with the shoulder strap shown extending below the bassinet;

FIG. 2 is a right elevational view of the bassinet of FIG. 1;

FIG. 3 is a front elevational view of the bassinet of FIG. 1;

FIG. 4 is a back elevational view of the bassinet of FIG. 1; and,

(56) **References Cited**

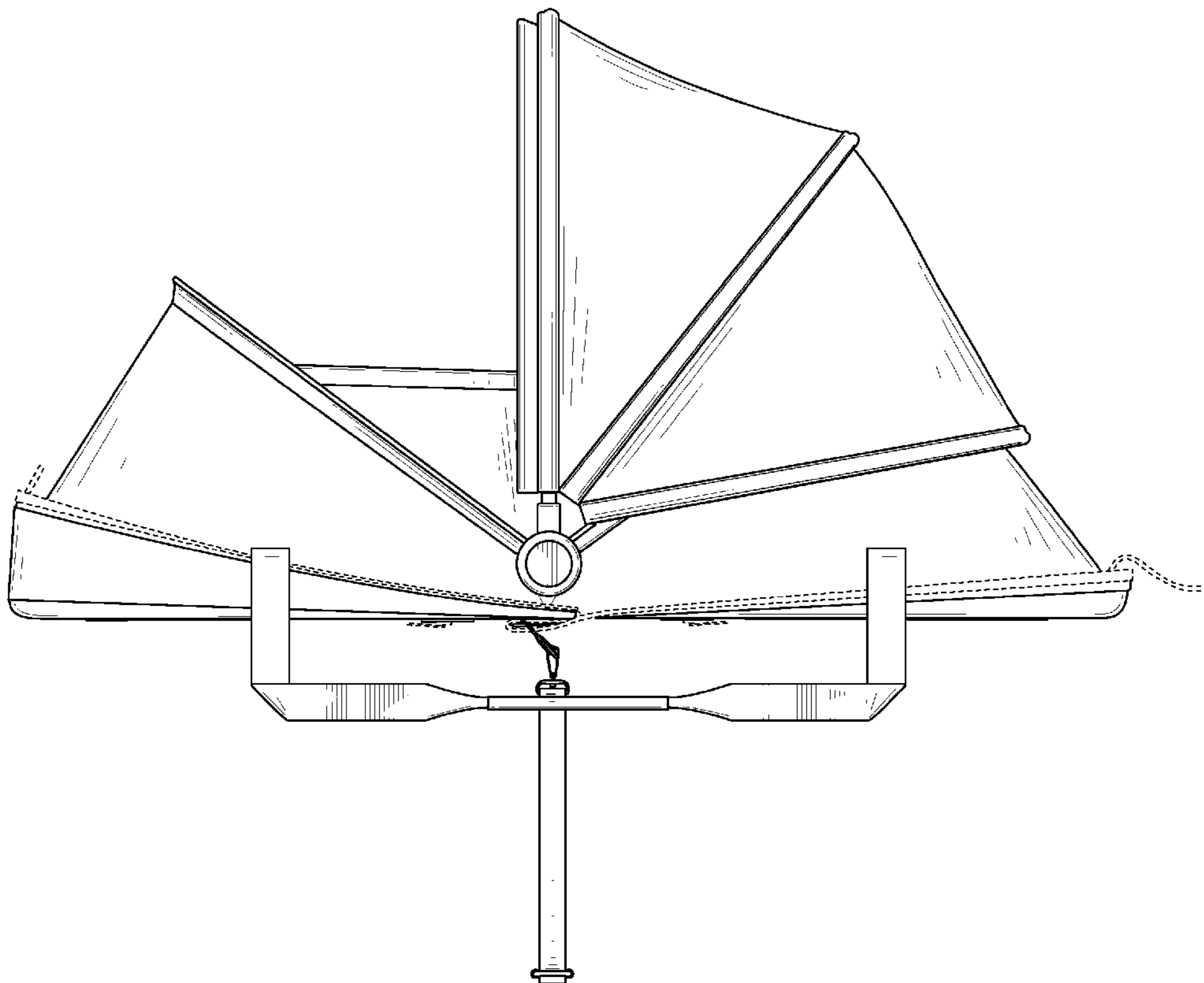
U.S. PATENT DOCUMENTS

2,551,509 A * 5/1951 Smith 294/140
3,096,917 A * 7/1963 Gudiksen 294/140
4,571,760 A * 2/1986 Kassai 5/99.1
5,947,552 A * 9/1999 Wilkins et al. 297/16.1
6,257,659 B1 * 7/2001 Wilkins et al. 297/16.1
6,390,555 B2 * 5/2002 Wilkins et al. 297/354.13

FIG. 5 is a perspective view of the bassinet of the present invention, with the shoulder strap shown extending to the rear of the bassinet.

The broken lines illustrated in the drawings form no part of the design.

1 Claim, 5 Drawing Sheets



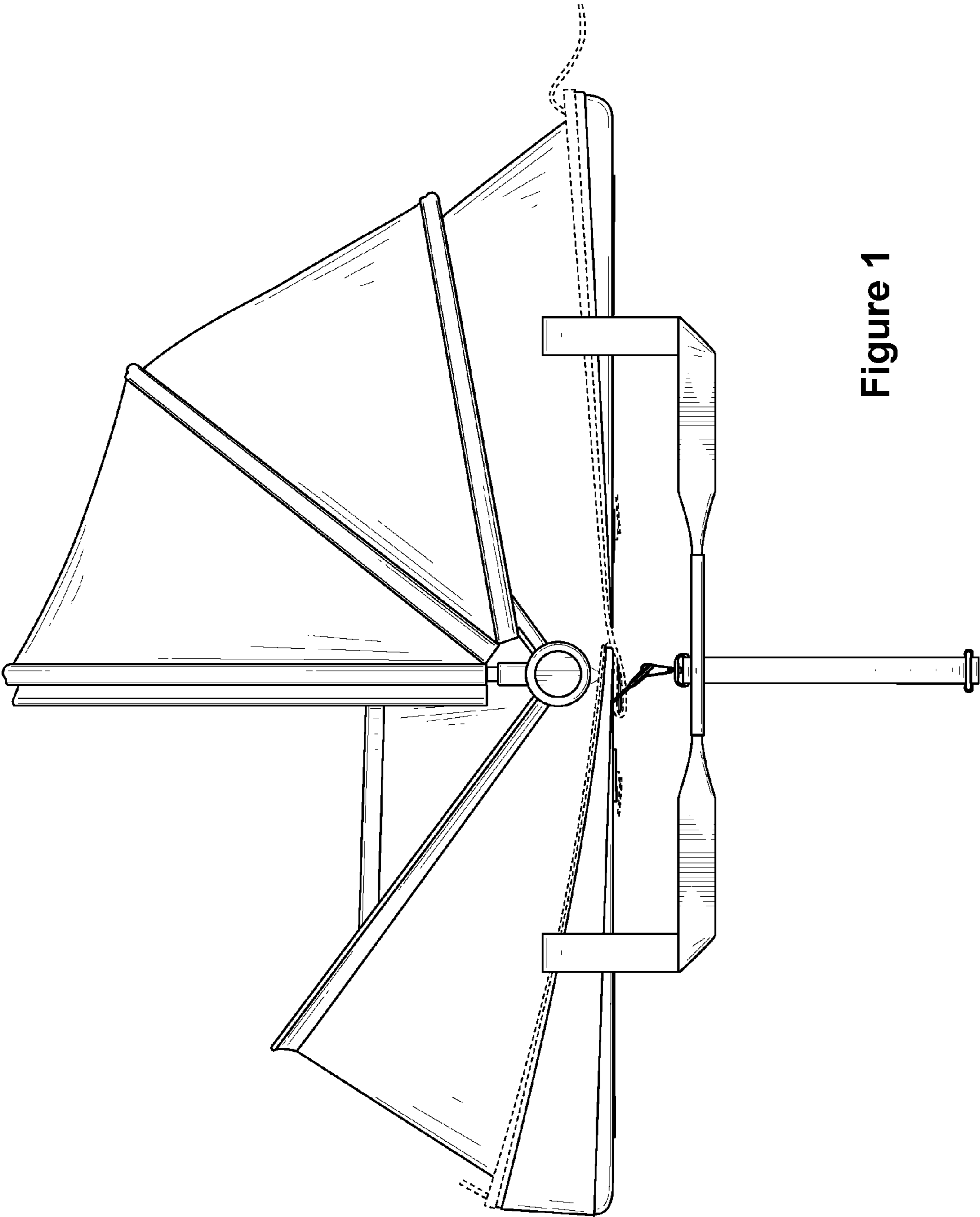


Figure 1

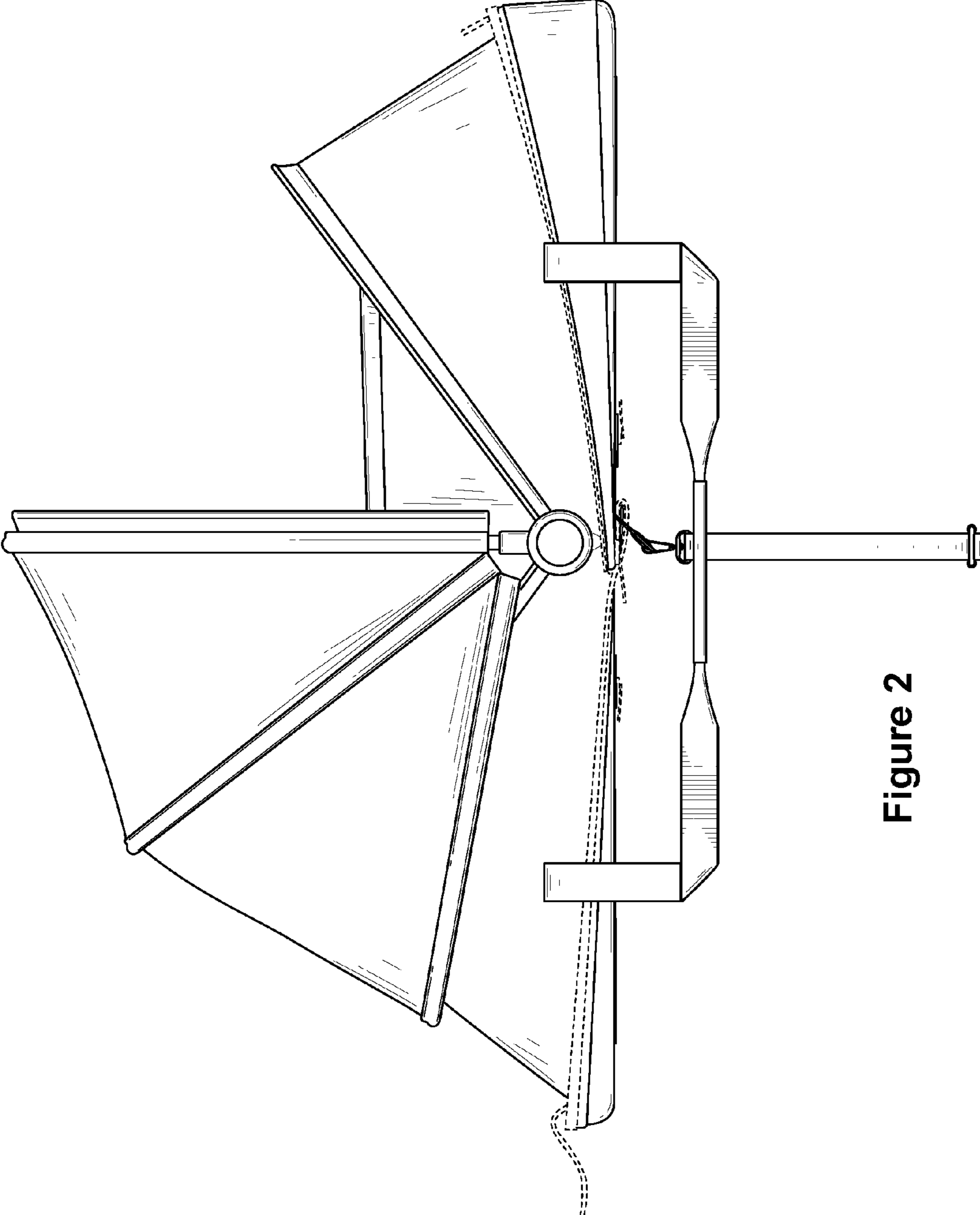


Figure 2

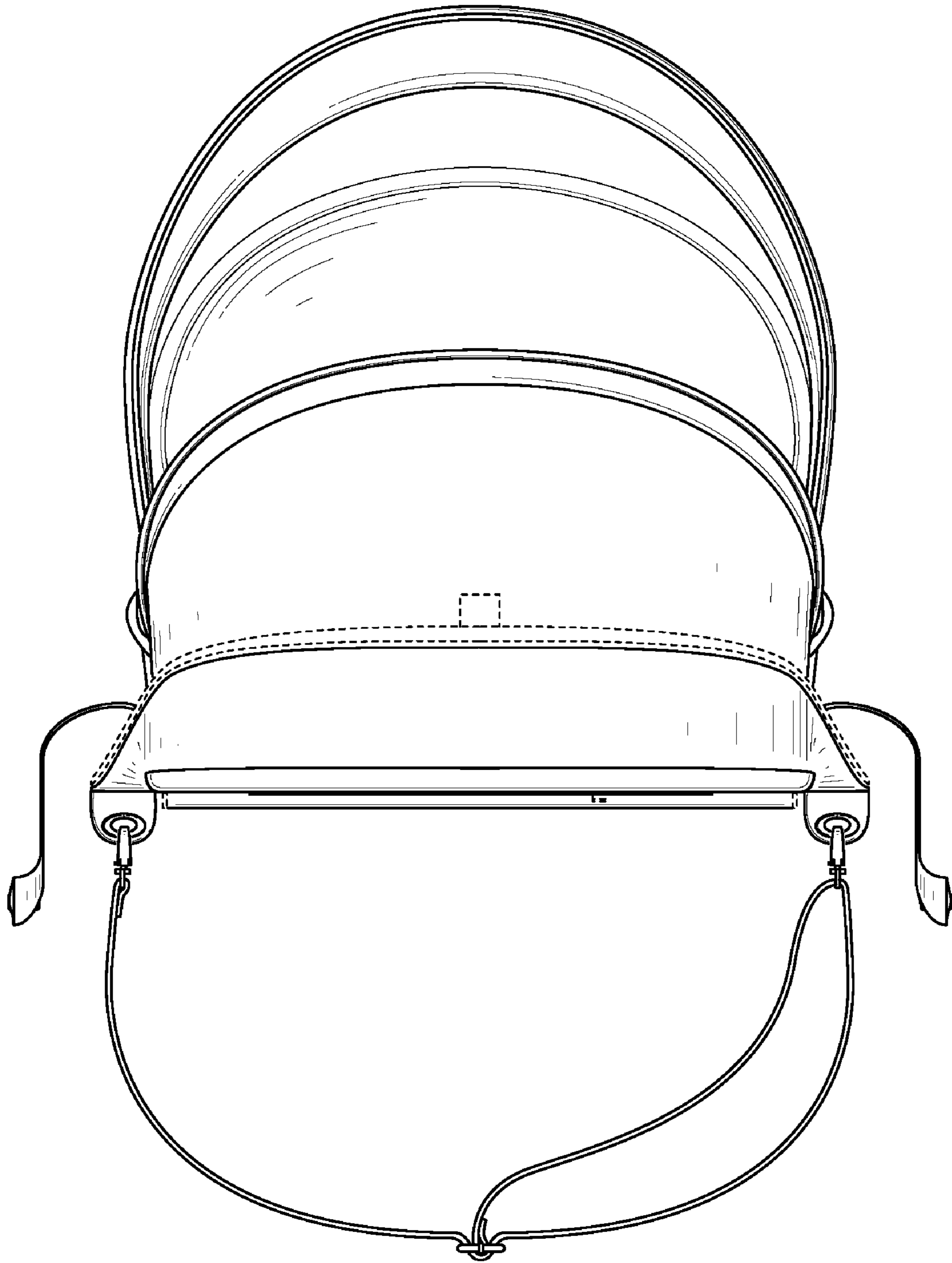


Figure 3

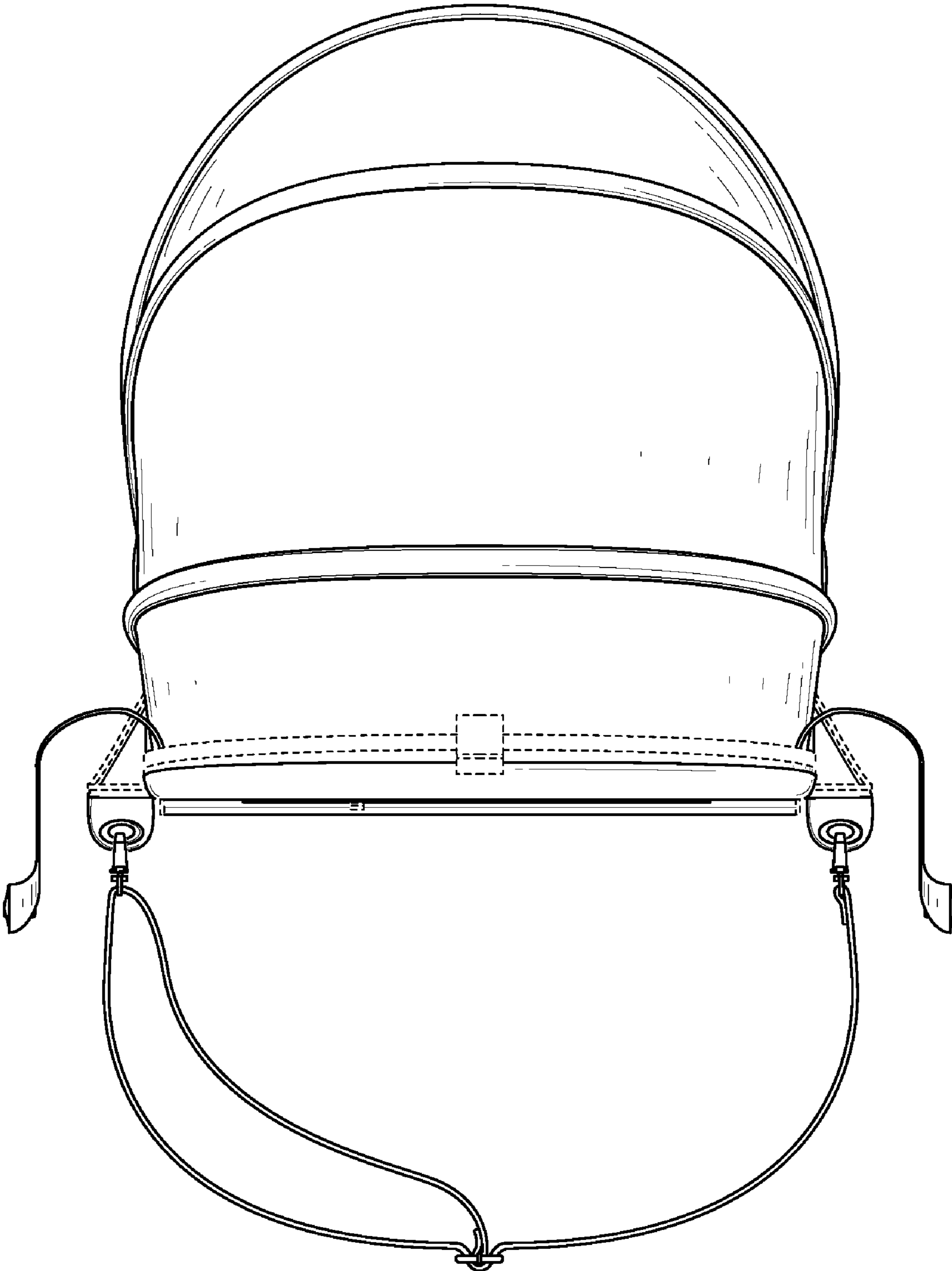


Figure 4

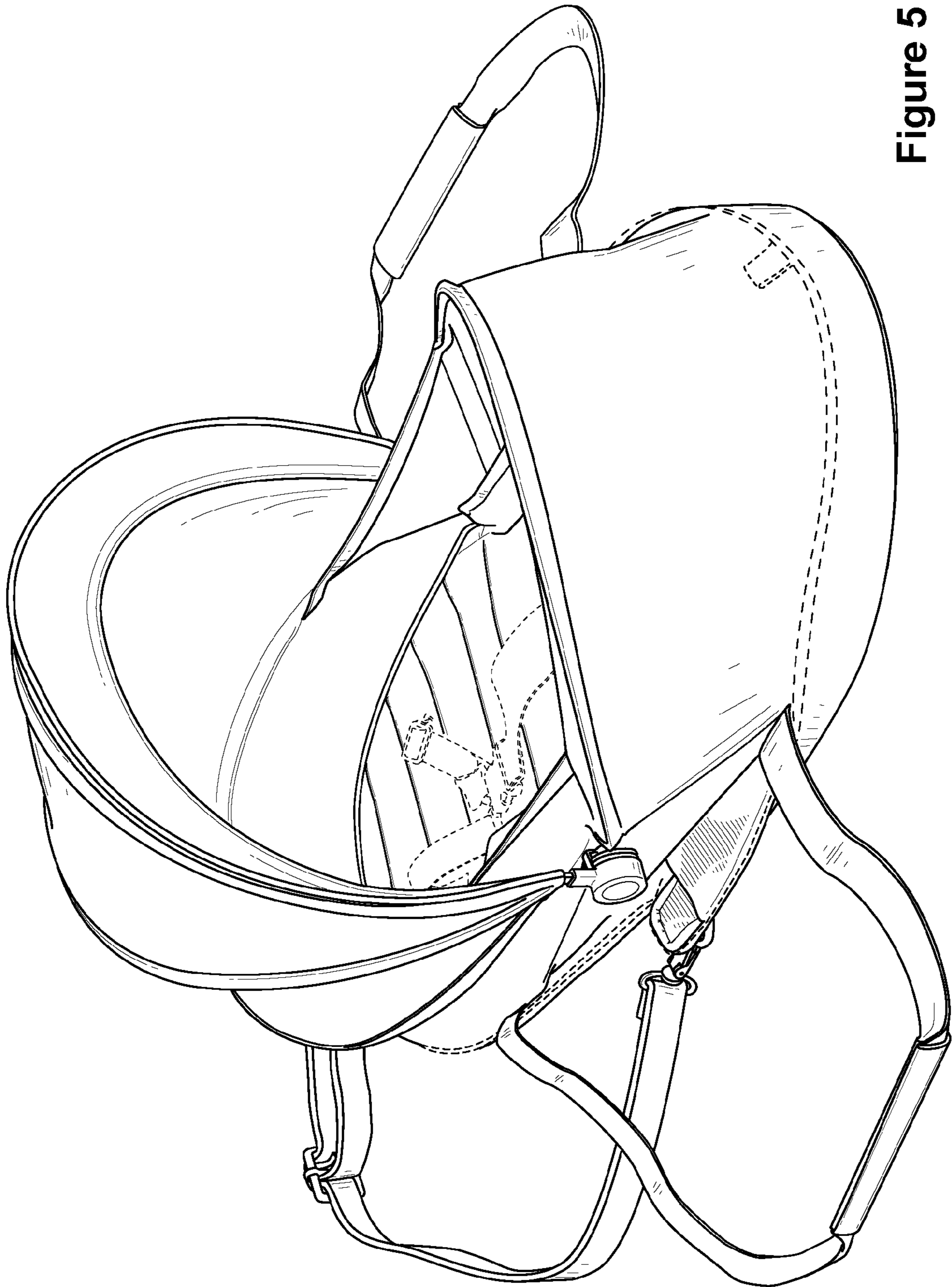


Figure 5