



US00D575531S

(12) **United States Design Patent**
Paterson

(10) **Patent No.:** **US D575,531 S**

(45) **Date of Patent:** **** Aug. 26, 2008**

(54) **WALL-MOUNTABLE STRUCTURE**

(57) **CLAIM**

(75) Inventor: **Nicholas W. Paterson**, Sheboygan Falls, WI (US)

The ornamental design for a wall-mountable structure, as shown and described.

(73) Assignee: **Kohler Co.**, Kohler, WI (US)

DESCRIPTION

(**) Term: **14 Years**

In a preferred embodiment, the nature of this product is a wall-mountable structure such as a portrait or landscape oriented framed mirror with inset display panel.

(21) Appl. No.: **29/279,409**

FIG. 1 is a right, top, front perspective view of a wall-mountable structure embodying my new design;

(22) Filed: **Apr. 30, 2007**

FIG. 2 is a front elevational view thereof;

(51) **LOC (8) Cl.** **06-07**

FIG. 3 is a top plan view thereof, the bottom plan view thereof being a mirror image of the top view shown;

(52) **U.S. Cl.** **D6/300**

(58) **Field of Classification Search** D6/300-314, D6/444, 432; 40/700, 735, 738, 744, 798, 40/777, 743, 750, 741, 725; D26/56; D19/52; 312/205

FIG. 4 is a right side elevational view thereof, the left side elevational view thereof being a mirror image of the right side shown;

See application file for complete search history.

FIG. 5 is a rear elevational view thereof;

(56) **References Cited**

U.S. PATENT DOCUMENTS

- D144,922 S * 6/1946 Heilbroner D6/300
- D170,690 S * 10/1953 Green D6/300
- 2,820,310 A * 1/1958 John 40/777
- D398,066 S * 9/1998 Noel D26/56
- D532,823 S * 11/2006 Pena Angarita D19/52
- D555,392 S * 11/2007 Grozinger D6/432
- 2003/0090177 A1 * 5/2003 Posvar 312/205

FIG. 6 is a right, top, front perspective view of a second embodiment of my new design, the top plan and right side and rear elevational views thereof being identical to respective FIGS. 3, 4, and 5 and the front elevational view thereof being similar to FIG. 2 albeit with a reflective surface shown;

FIG. 7 is a right, top, front perspective view of a third embodiment of my new design;

FIG. 8 is a front elevational view thereof;

FIG. 9 is a top plan view thereof, the bottom plan view thereof being a mirror image of the top view shown;

FIG. 10 is a right side elevational view thereof, the left side elevational view thereof being a mirror image of the right side shown;

FIG. 11 is a rear elevational view thereof; and,

FIG. 12 is a right, top, front perspective view of a fourth embodiment of my new design, the top plan and right side and rear elevational views thereof being identical to respective FIGS. 9, 10 and 11 and the front elevational view thereof being similar to FIG. 8 albeit with a reflective surface shown.

The broken line representations in the figures are for the purpose of illustration only, and form no part of the claimed design.

OTHER PUBLICATIONS

Electric Mirror. "Stanford Mirror TV" framed". Electricmirror.com online catalog. Copyright 2006 Electric Mirror.

Phillips Research Technologies. "Mirror TV". Phillips online website.

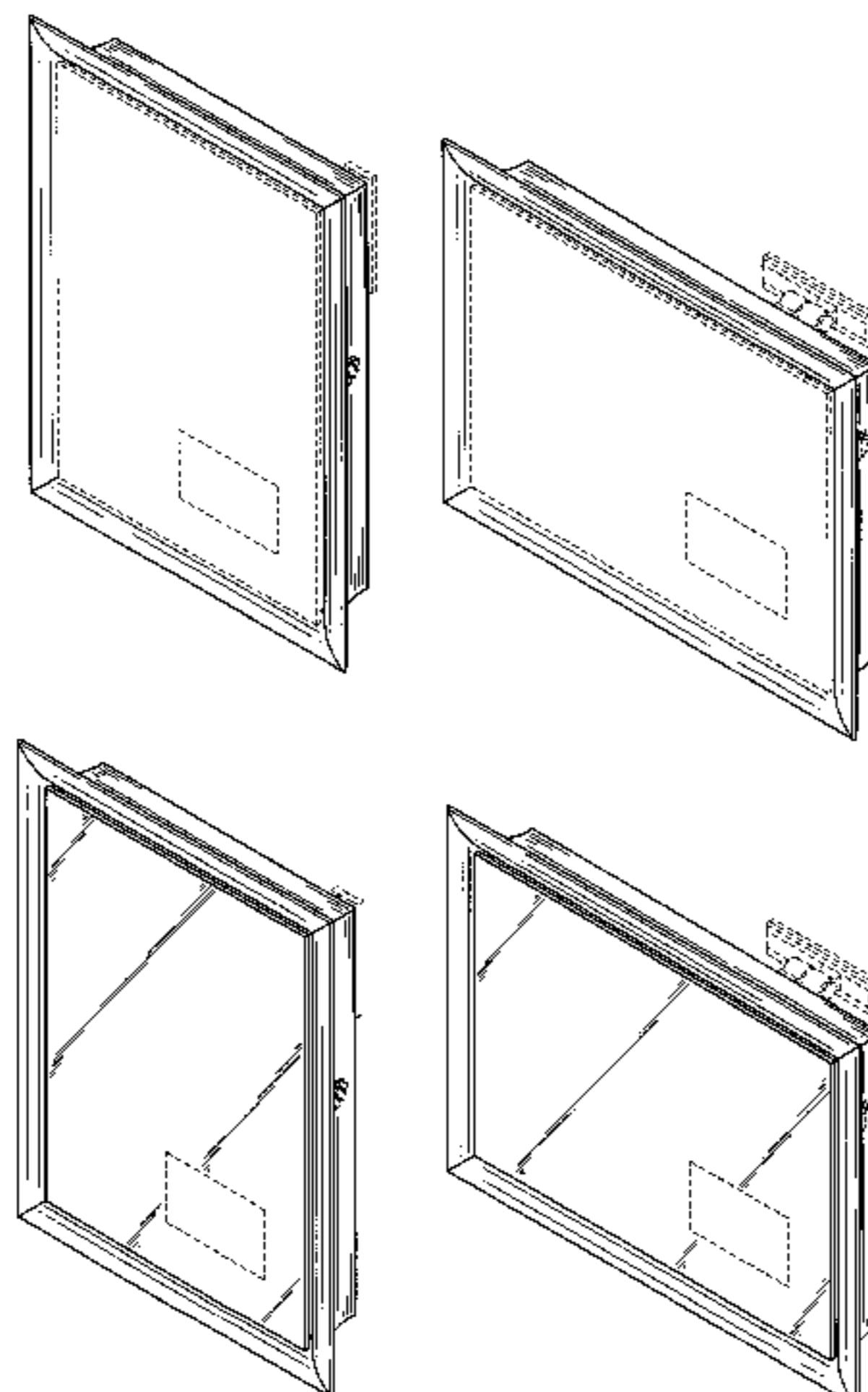
* cited by examiner

Primary Examiner—Caron D. Veynar

Assistant Examiner—Sydney R Buffalow

(74) *Attorney, Agent, or Firm*—Quarles & Brady LLP

1 Claim, 8 Drawing Sheets



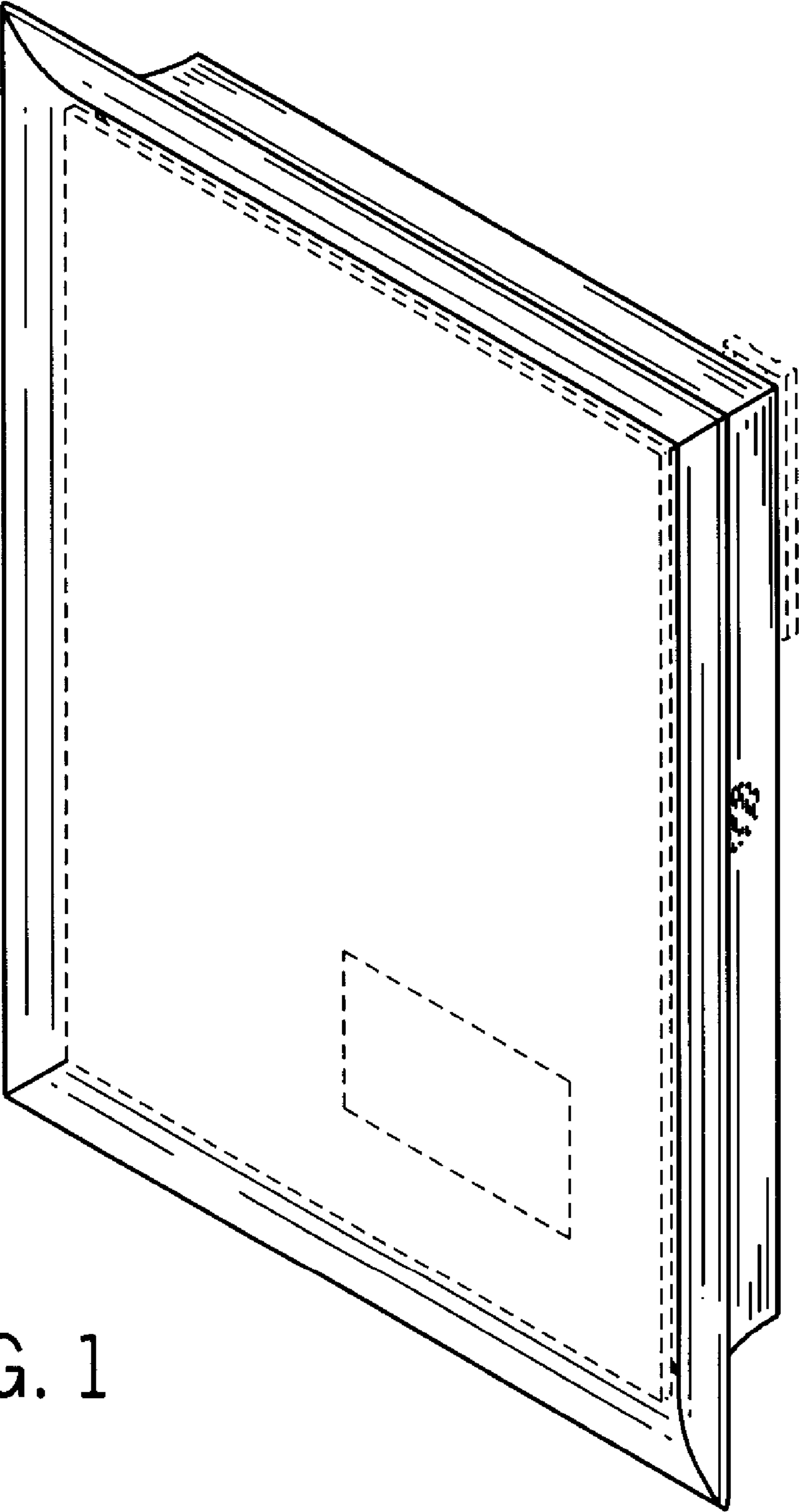


FIG. 1

FIG. 2

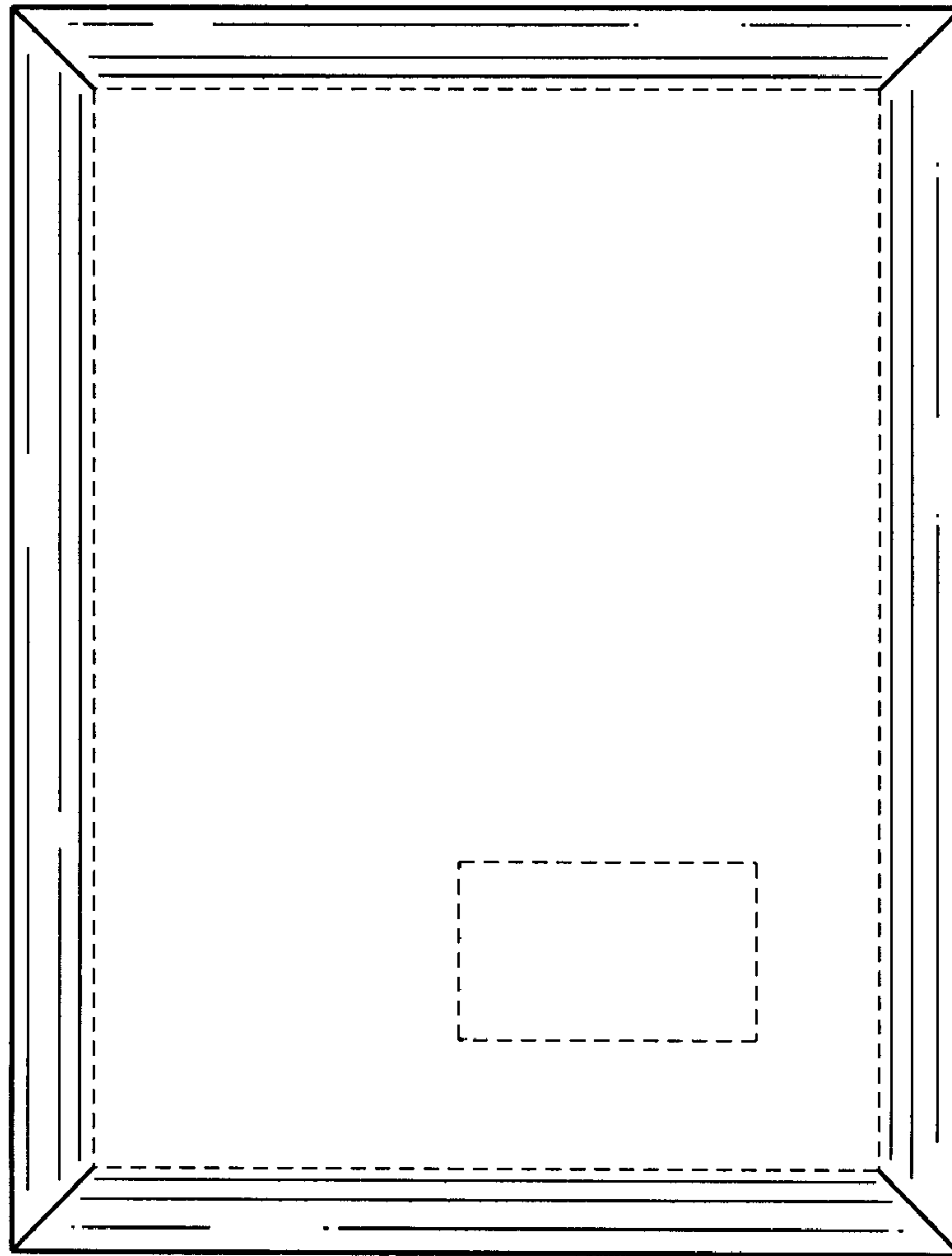
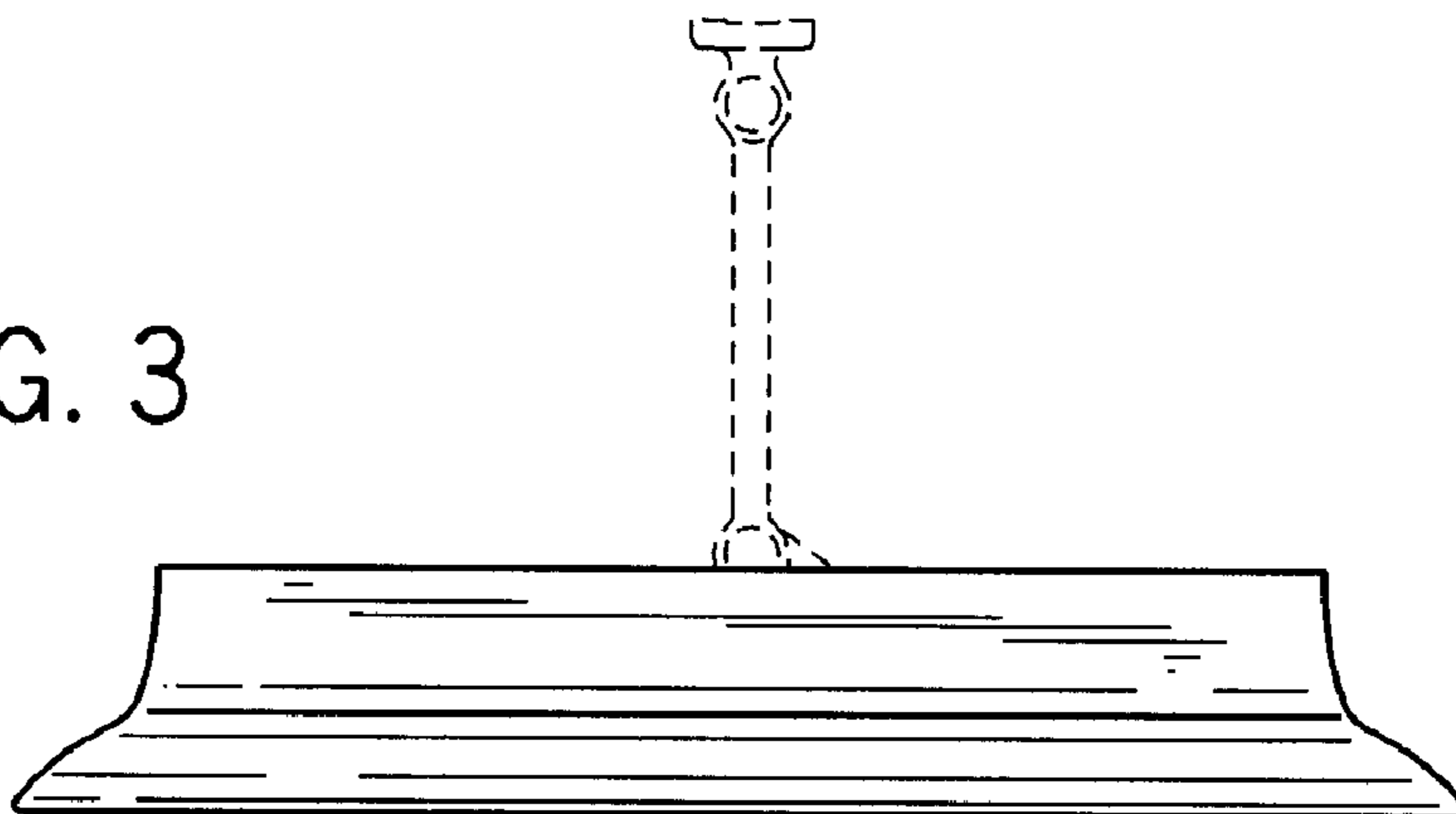


FIG. 3



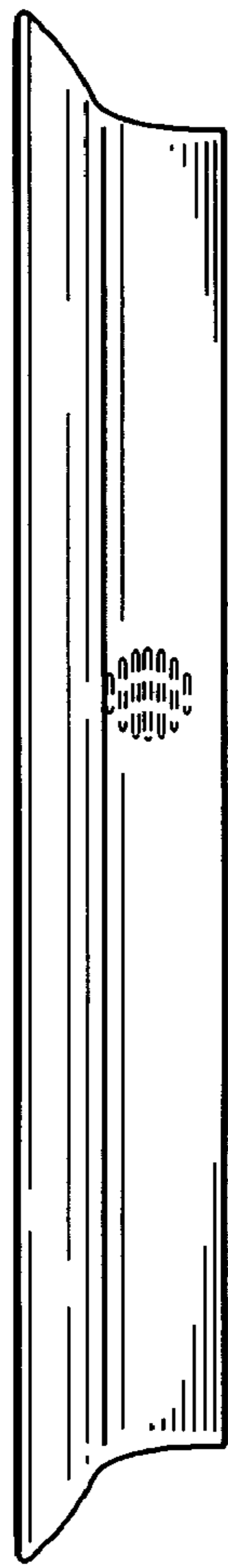
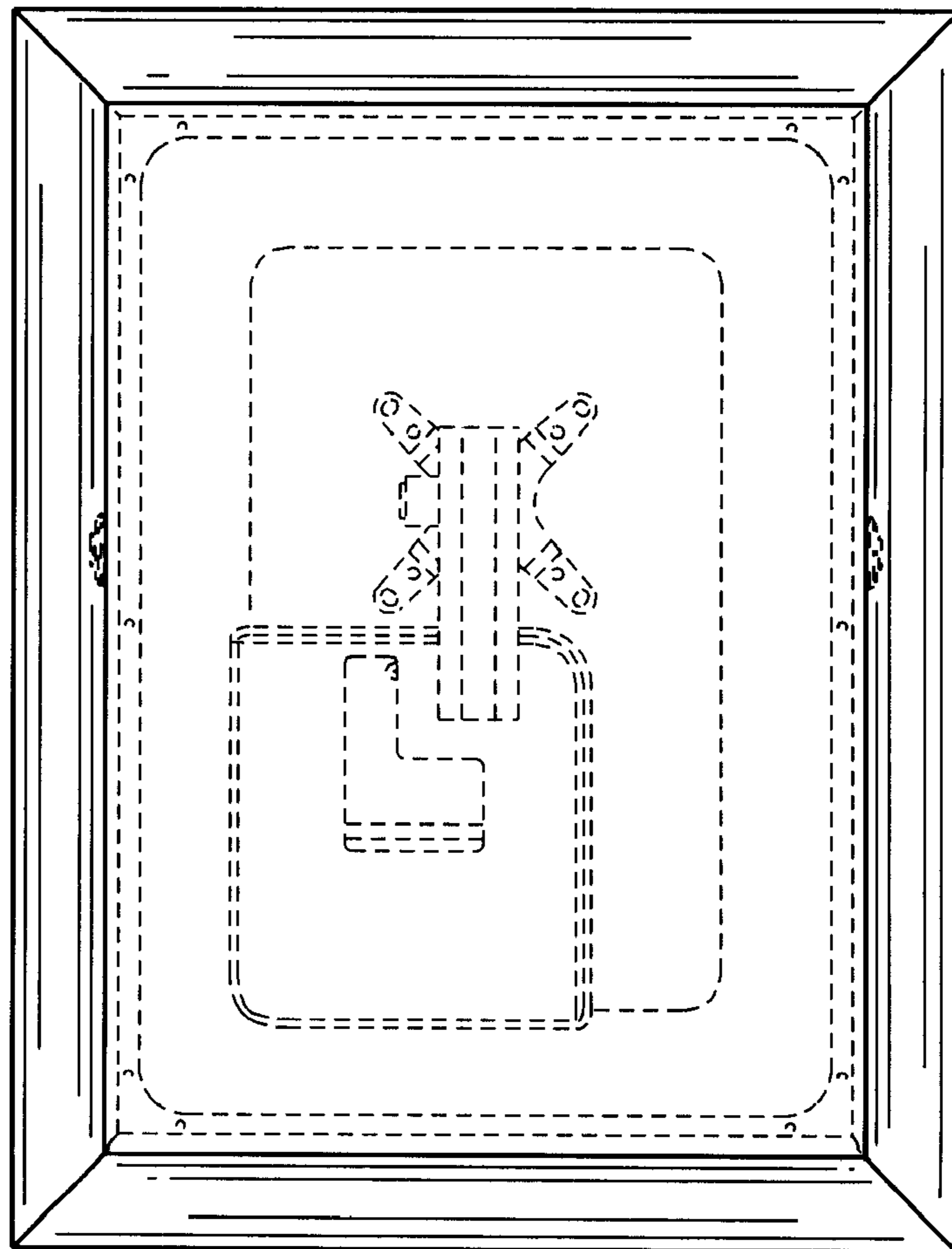


FIG. 4



FIG. 5



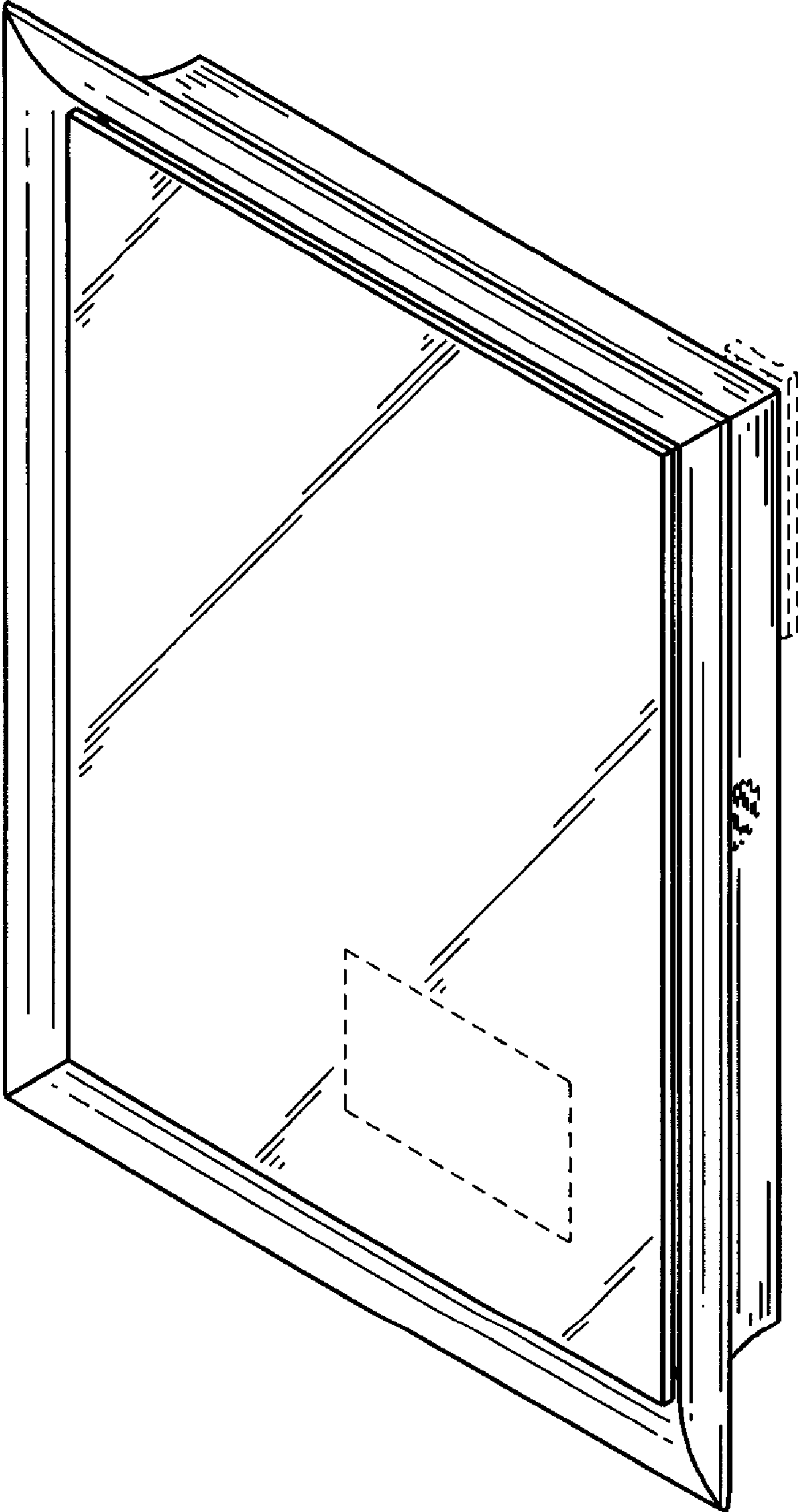


FIG. 6

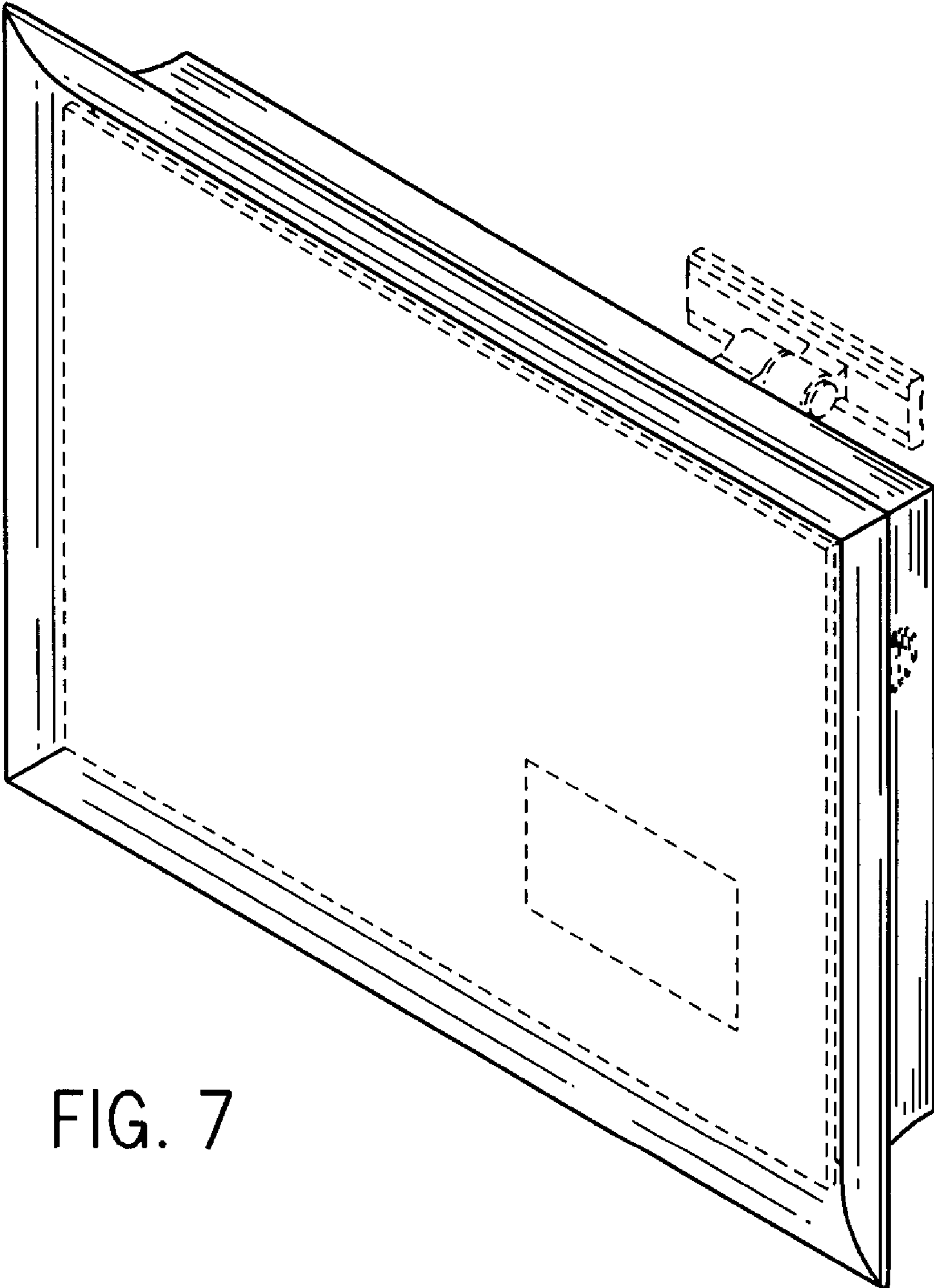


FIG. 7

FIG. 8

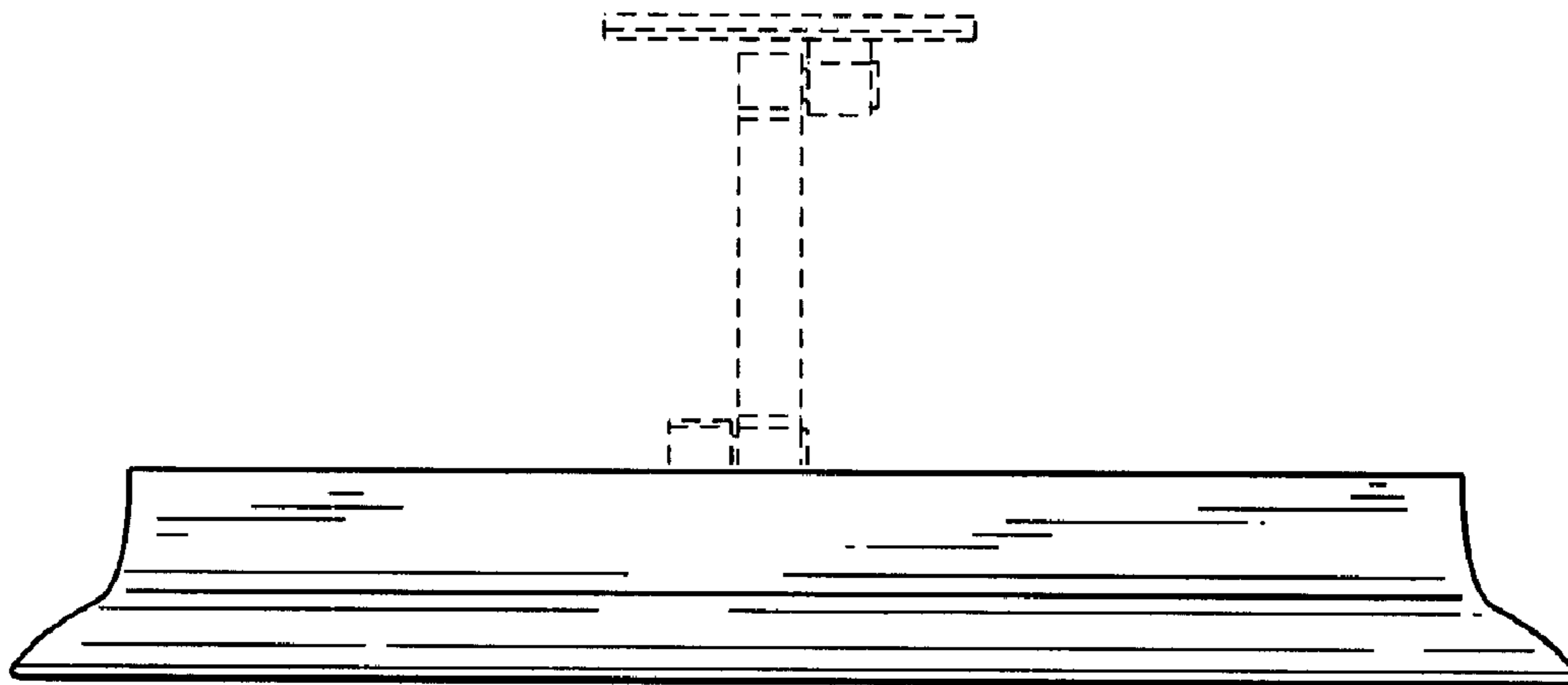
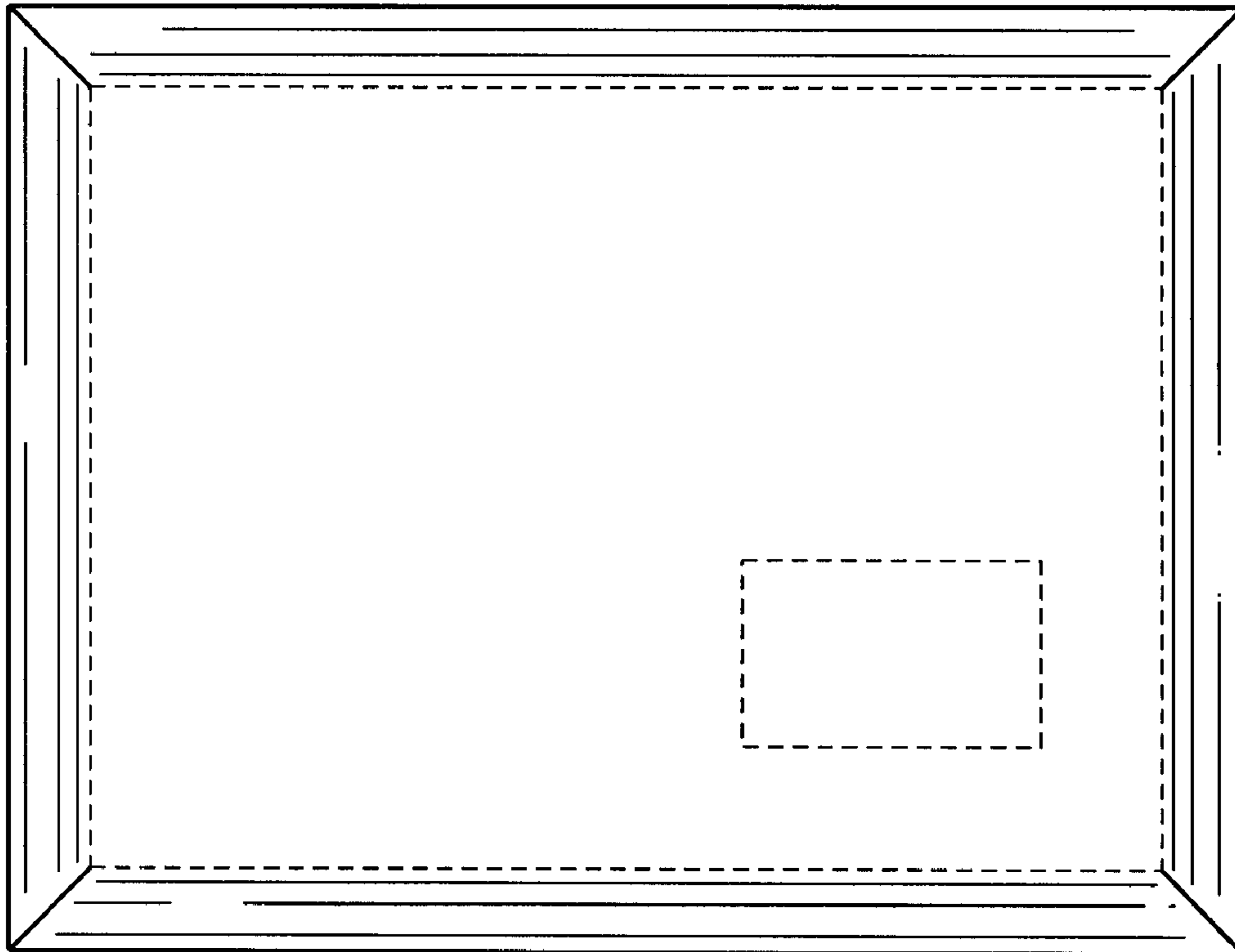


FIG. 9

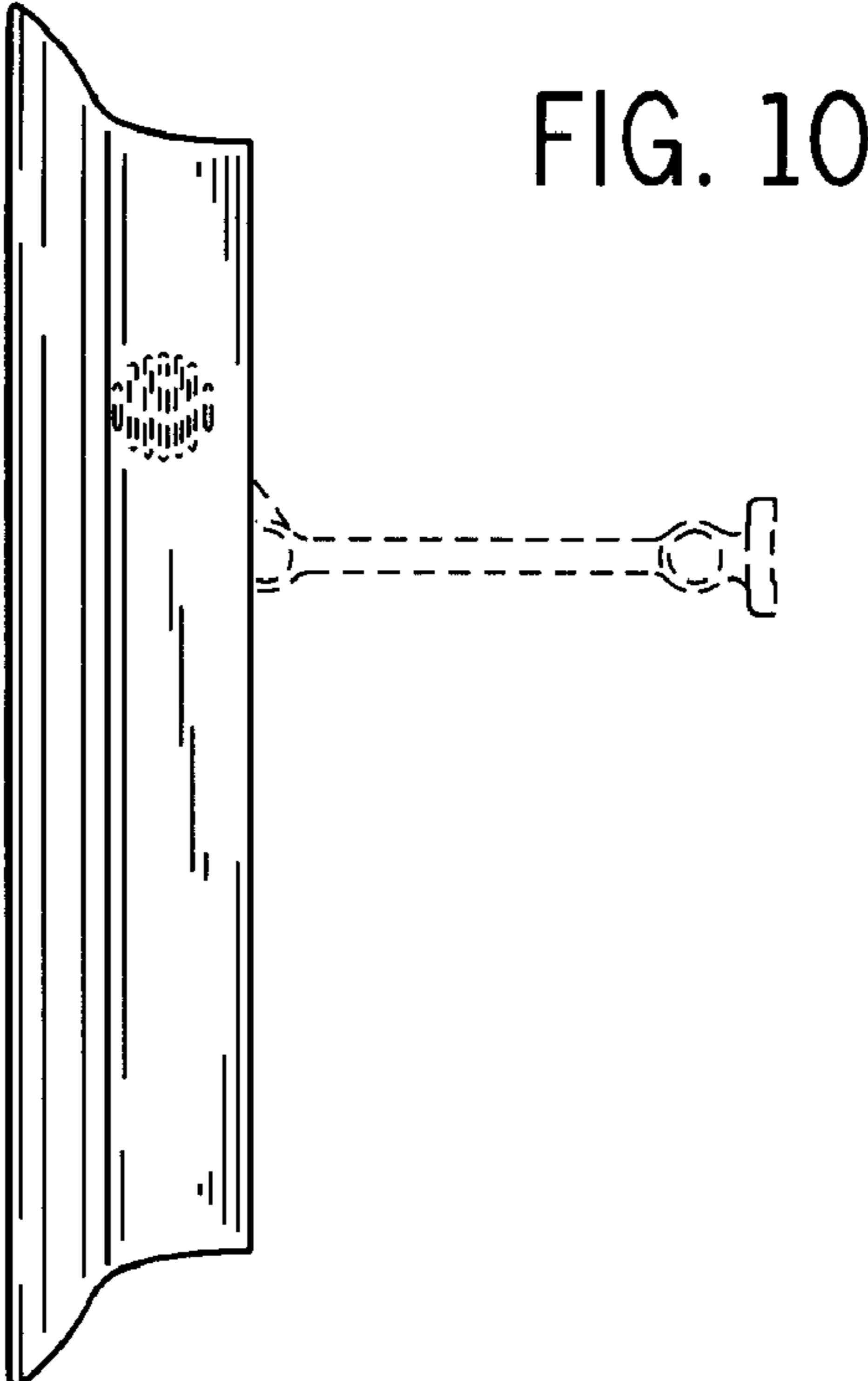
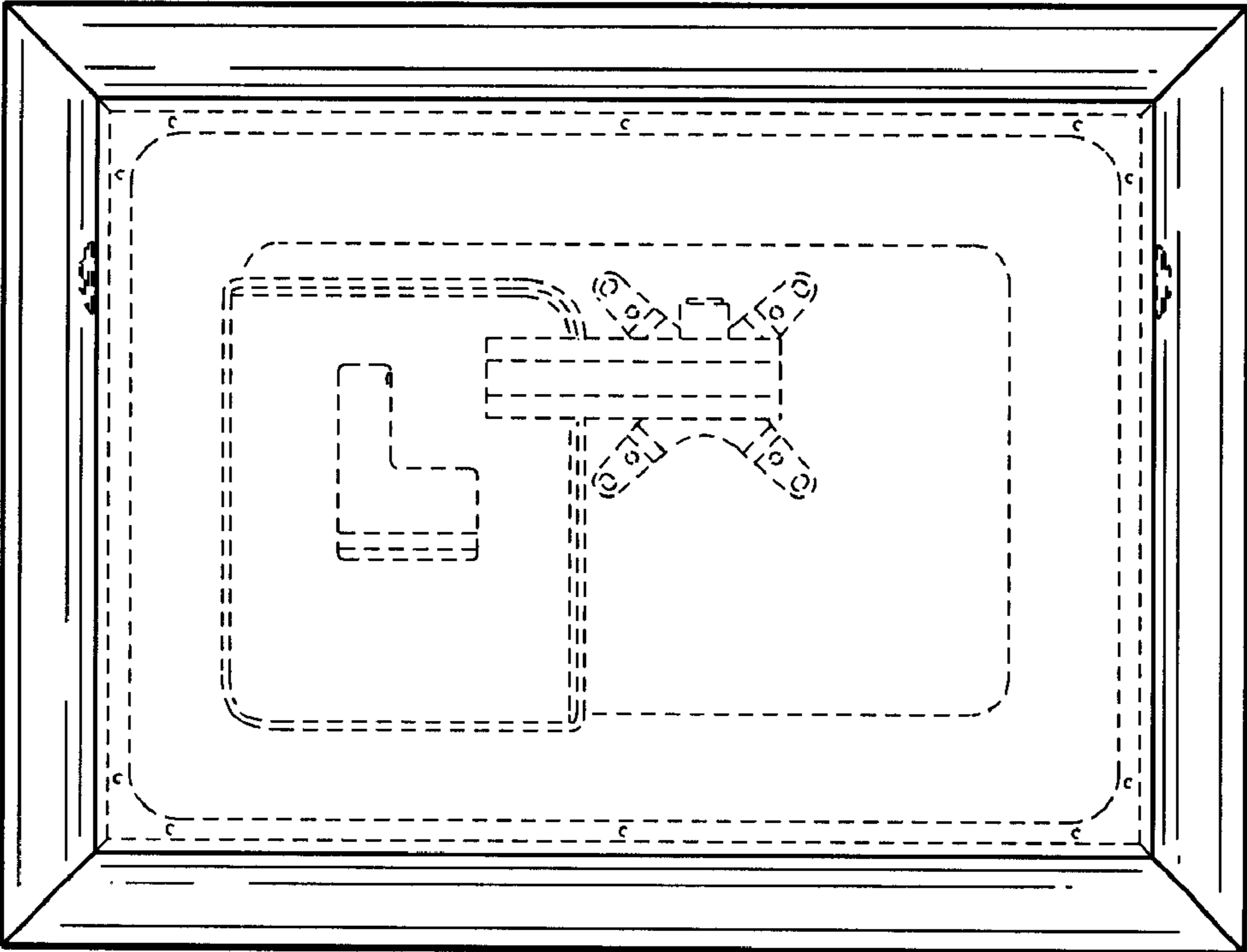


FIG. 11



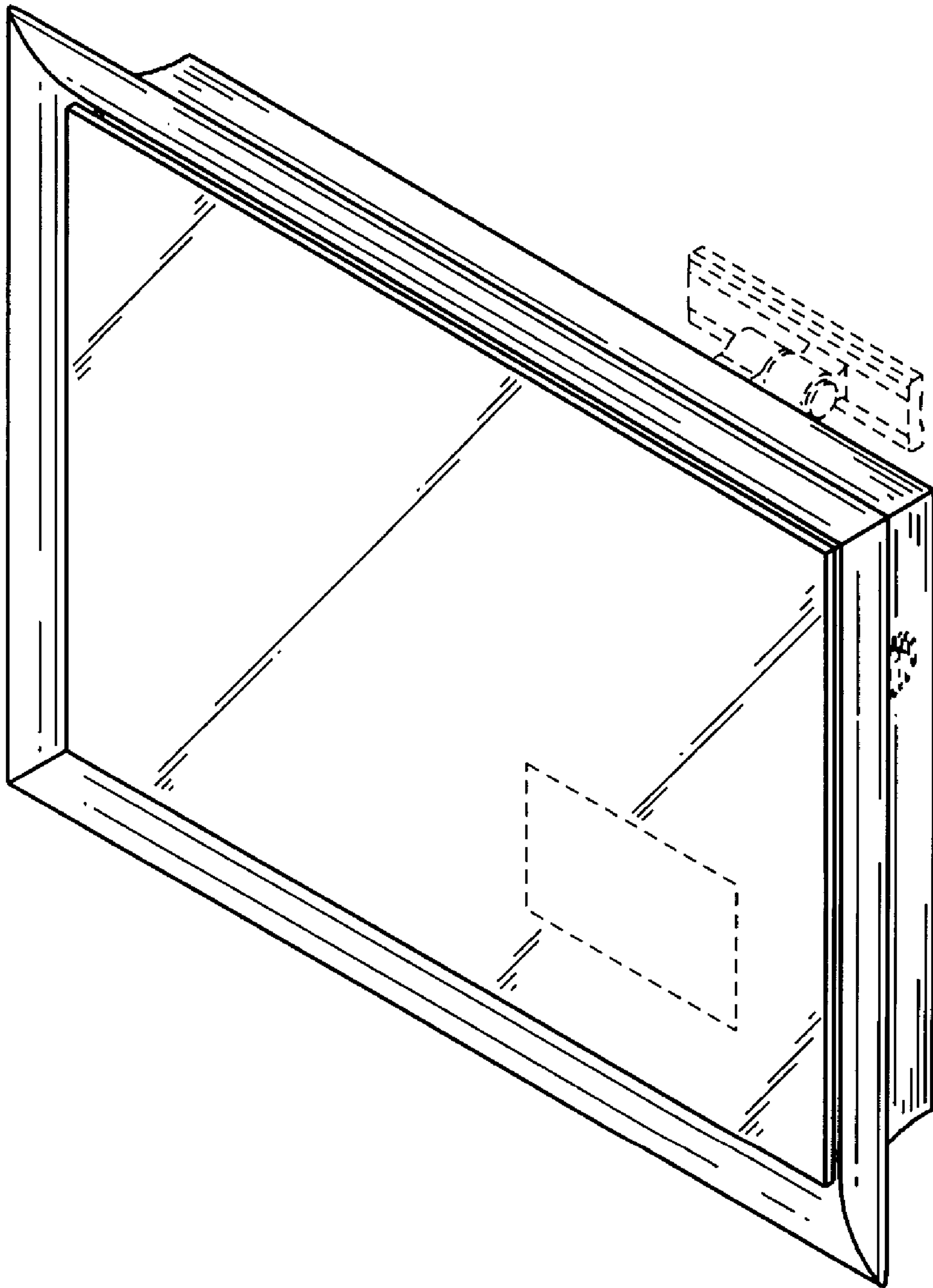


FIG. 12