



US00D575515S

(12) **United States Design Patent**  
**Arend**

(10) **Patent No.:** **US D575,515 S**  
(45) **Date of Patent:** **\*\* Aug. 26, 2008**

(54) **BROOM HEAD**

FOREIGN PATENT DOCUMENTS

(75) Inventor: **Jens Arend**, Offenbach (DE)

EP 1595473 A1 \* 11/2005

(73) Assignee: **Carl Freudenberg KG**, Weinheim (DE)

OTHER PUBLICATIONS

(\*\*) Term: **14 Years**

AU 311218 S Design No. 200613507, [online], [retrieved on Mar. 14, 2008] Retrieved from the Australian Government IP Australia using Internet ,URL:http://pericles.ipaustralia.gov.au/adds2/adds.adds\_details.paint\_details?p\_design\_id=311218>.\*

(21) Appl. No.: **29/239,805**

\* cited by examiner

(22) Filed: **Oct. 4, 2005**

*Primary Examiner*—Cathron Brooks

*Assistant Examiner*—Barbara Fox

(30) **Foreign Application Priority Data**

Apr. 6, 2005 (EM) ..... 000319884

(74) *Attorney, Agent, or Firm*—Leydig, Voit & Mayer, Ltd.

(51) **LOC (8) Cl.** ..... **04-01**

(57) **CLAIM**

(52) **U.S. Cl.** ..... **D4/118**

I claim the ornamental design for a broom head, as shown and described.

(58) **Field of Classification Search** ..... D4/132,  
D4/135, 119, 116, 199; D32/50, 51; 15/146,  
15/159, 160, 176.1, 176.2, 171, 175, 191.1–195,  
15/114, 117

**DESCRIPTION**

See application file for complete search history.

FIG. 1 is a front view of a broom head showing my new design;

(56) **References Cited**

U.S. PATENT DOCUMENTS

- 96,219 A \* 10/1869 Gibson ..... 15/117
- 713,549 A \* 11/1902 Young ..... 403/187
- D40,789 S \* 7/1910 Webster ..... D4/130
- 1,215,239 A \* 2/1917 Bayless ..... 15/117
- 1,730,677 A \* 10/1929 Nelson ..... 15/114
- D182,659 S \* 4/1958 Hall ..... D32/50
- 3,619,845 A \* 11/1971 Partridge ..... 15/117
- 4,779,302 A \* 10/1988 Kim ..... 15/117
- 5,966,771 A \* 10/1999 Stroud ..... 15/117
- 2006/0218738 A1 \* 10/2006 Brugora ..... 15/159.1

FIG. 2 is a rear view thereof;

FIG. 3 is a top view thereof;

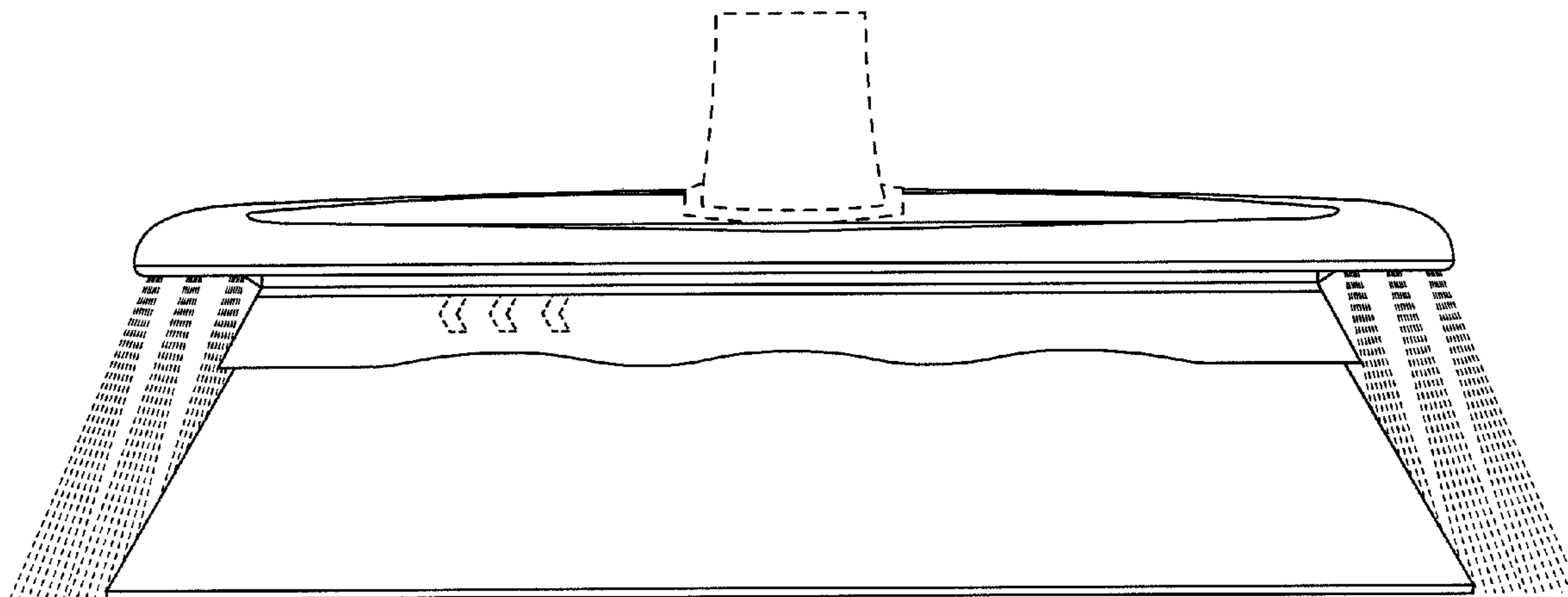
FIG. 4 is a bottom view thereof in which the broken lines shown representing the bristle perimeter are for illustration purposes only and form no part of the claimed design;

FIG. 5 is a side view thereof with the other side view thereof being a mirror image of the view of FIG. 5; and,

FIG. 6 is a perspective view thereof.

The broken lines in the Figures are shown for illustrative purposes only and do not form any part of the claimed design.

**1 Claim, 6 Drawing Sheets**



**FIG. 1**

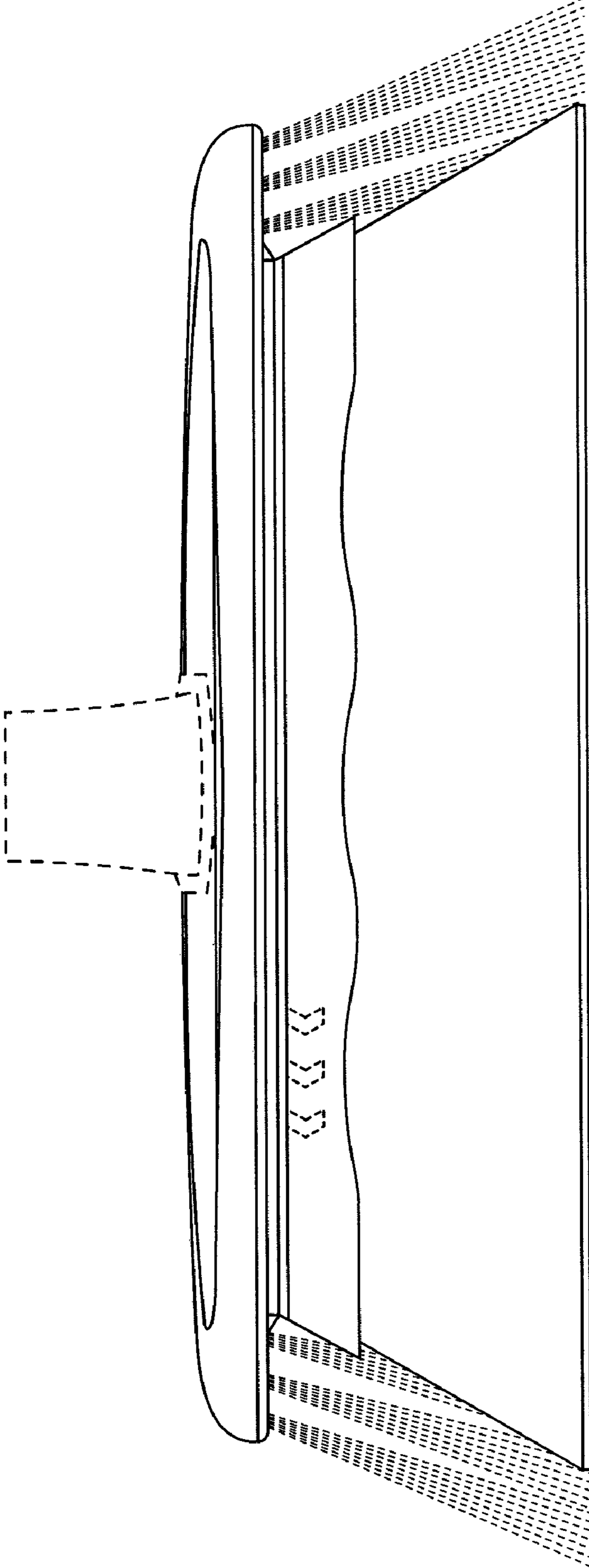
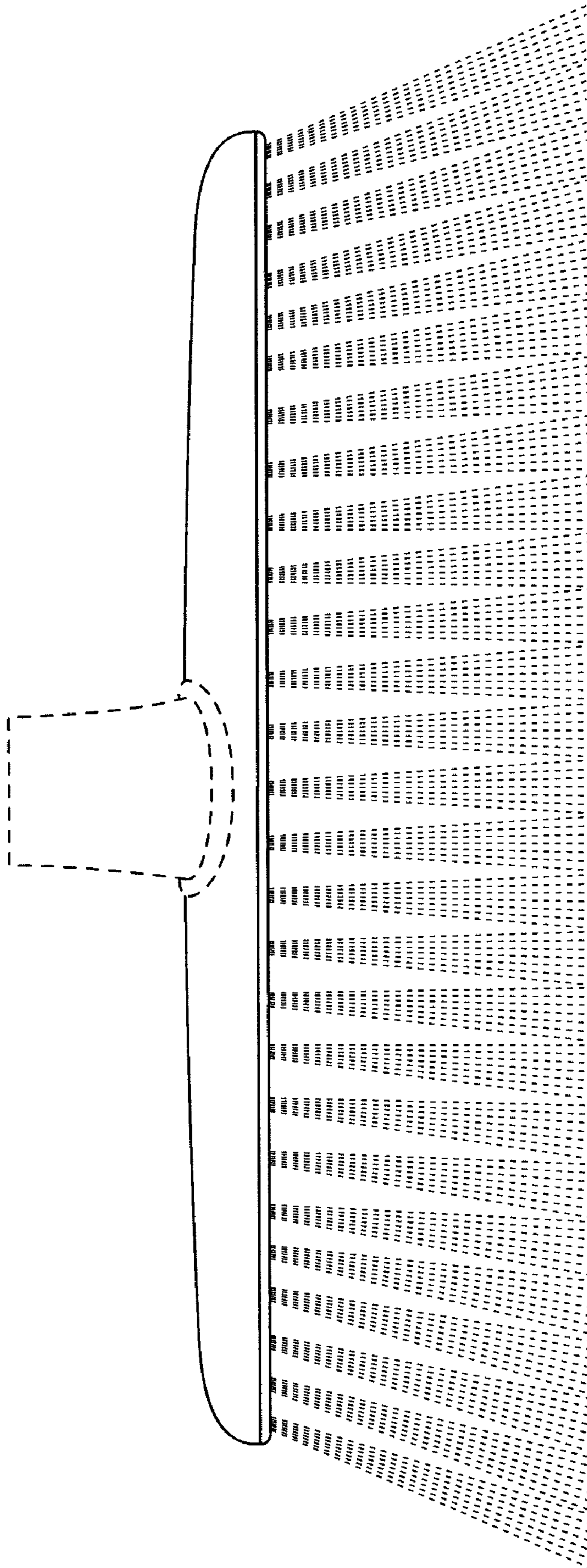
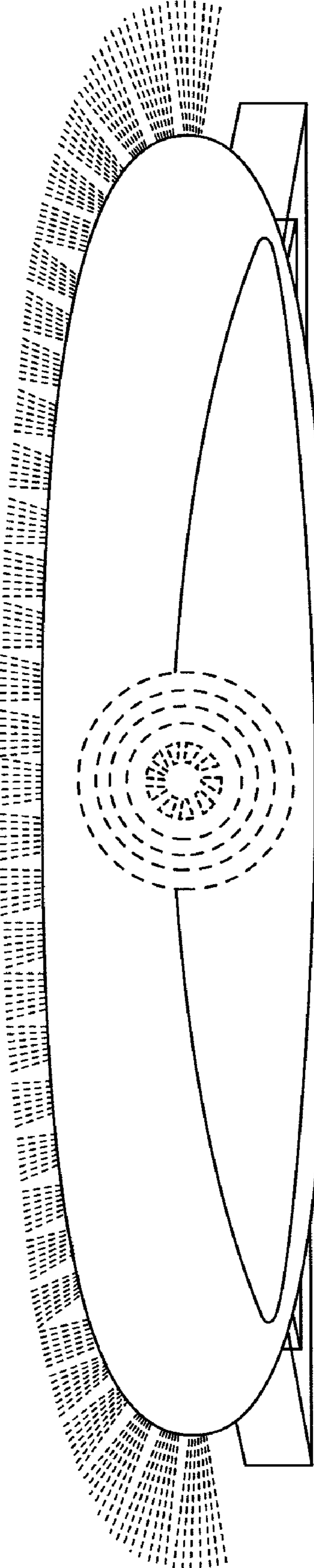


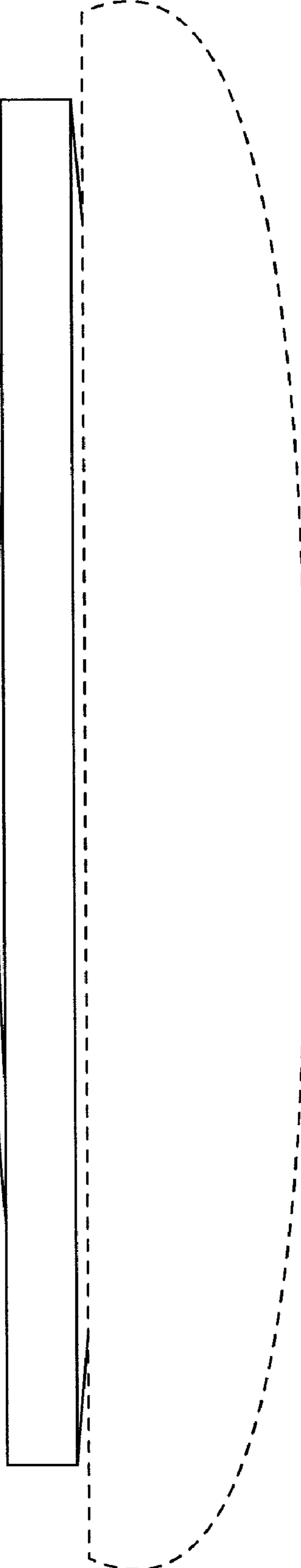
FIG. 2



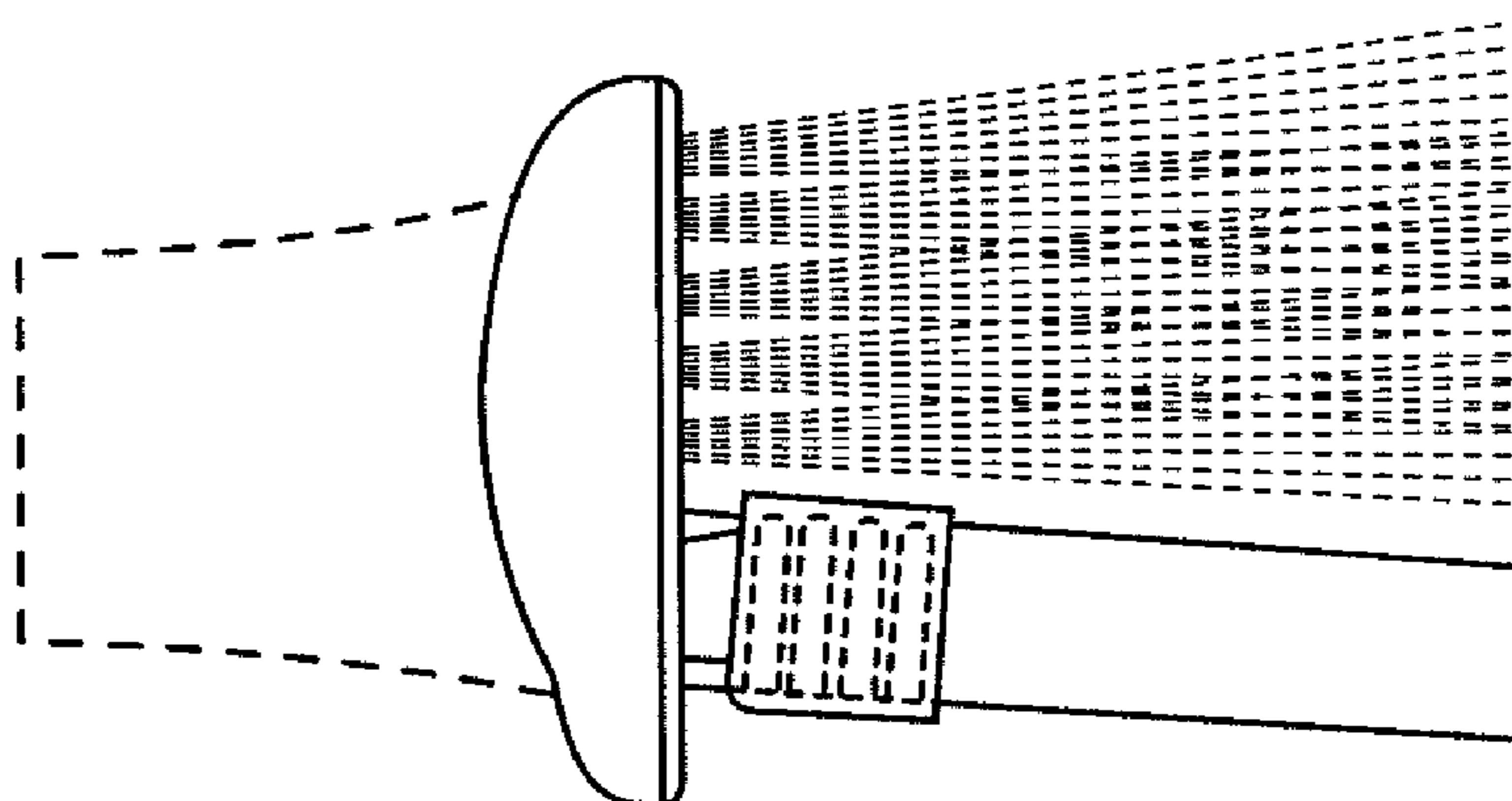
**FIG. 3**



**FIG. 4**



**FIG. 5**



**FIG. 6**

