



US00D575514S

(12) **United States Design Patent**
Moon

(10) **Patent No.:** **US D575,514 S**

(45) **Date of Patent:** **** Aug. 26, 2008**

(54) **LUGGAGE HANDLE**

(76) Inventor: **Jerry Moon**, P.O. Box 24-108, Taipei (TW)

(**) Term: **14 Years**

(21) Appl. No.: **29/286,374**

(22) Filed: **May 4, 2007**

(51) **LOC (8) Cl.** **03-01**

(52) **U.S. Cl.** **D3/318**

(58) **Field of Classification Search** D3/318,
D3/279, 282, 324, 328; D8/302, 306, 315-317,
D8/319-320; 190/18 A, 39, 102-103, 111,
190/115; 16/110.1, 113.1, 114.1
See application file for complete search history.

(56) **References Cited**

U.S. PATENT DOCUMENTS

D432,895 S * 10/2000 Lu D8/316
D485,988 S * 2/2004 Moon D3/318

D504,773 S * 5/2005 Lu D3/318
6,918,475 B2 * 7/2005 Lin et al. 190/115

* cited by examiner

Primary Examiner—Holly H Baynham

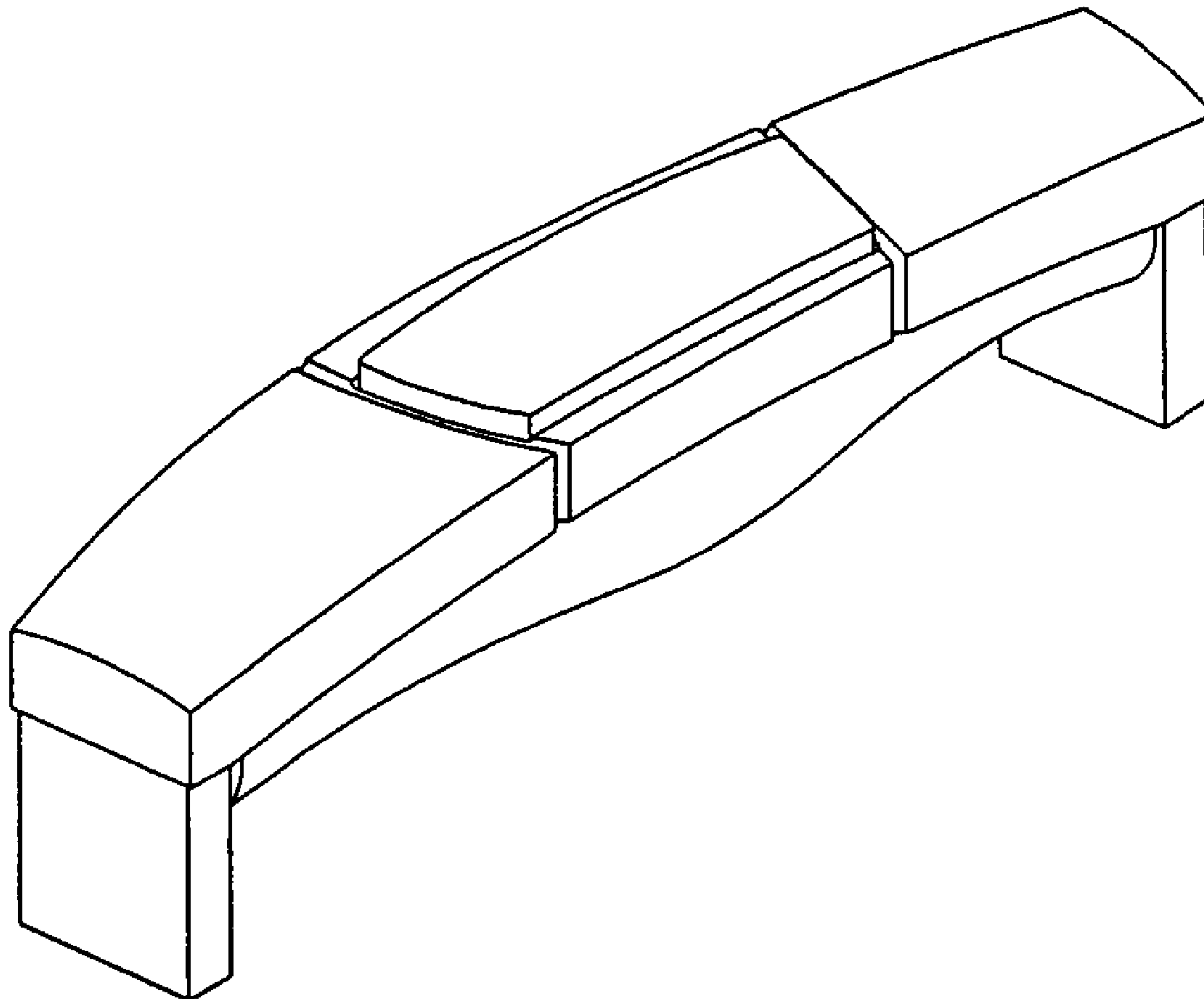
(57) **CLAIM**

I claim the ornamental design for a luggage handle, as shown and described.

DESCRIPTION

FIG. 1 is a perspective view of a luggage handle showing my new design;
FIG. 2 is a front view thereof;
FIG. 3 is a rear view thereof;
FIG. 4 is a left side view thereof;
FIG. 5 is a right side view thereof;
FIG. 6 is a top plan view thereof; and,
FIG. 7 is a bottom plan view thereof.

1 Claim, 3 Drawing Sheets



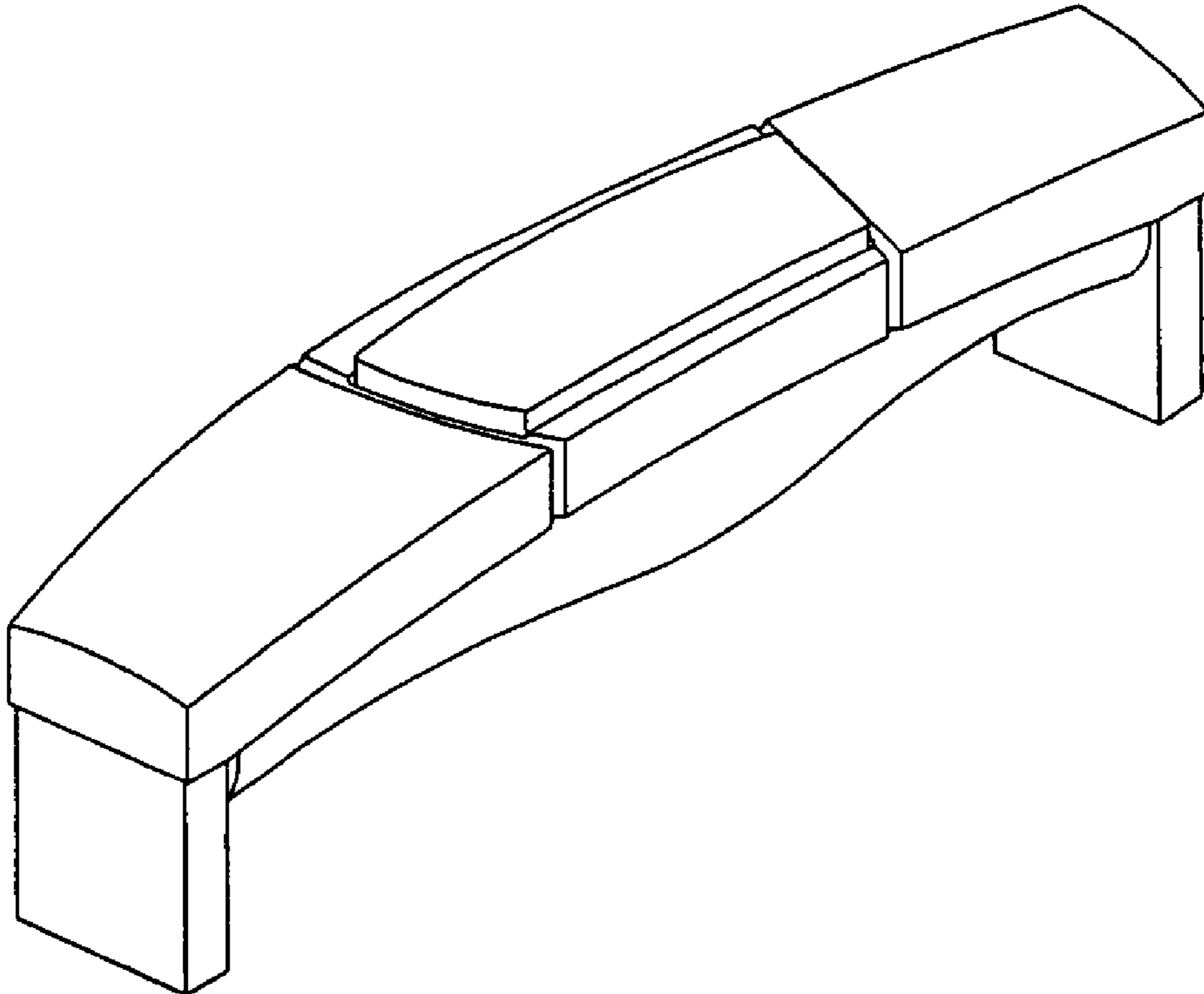


FIG. 1

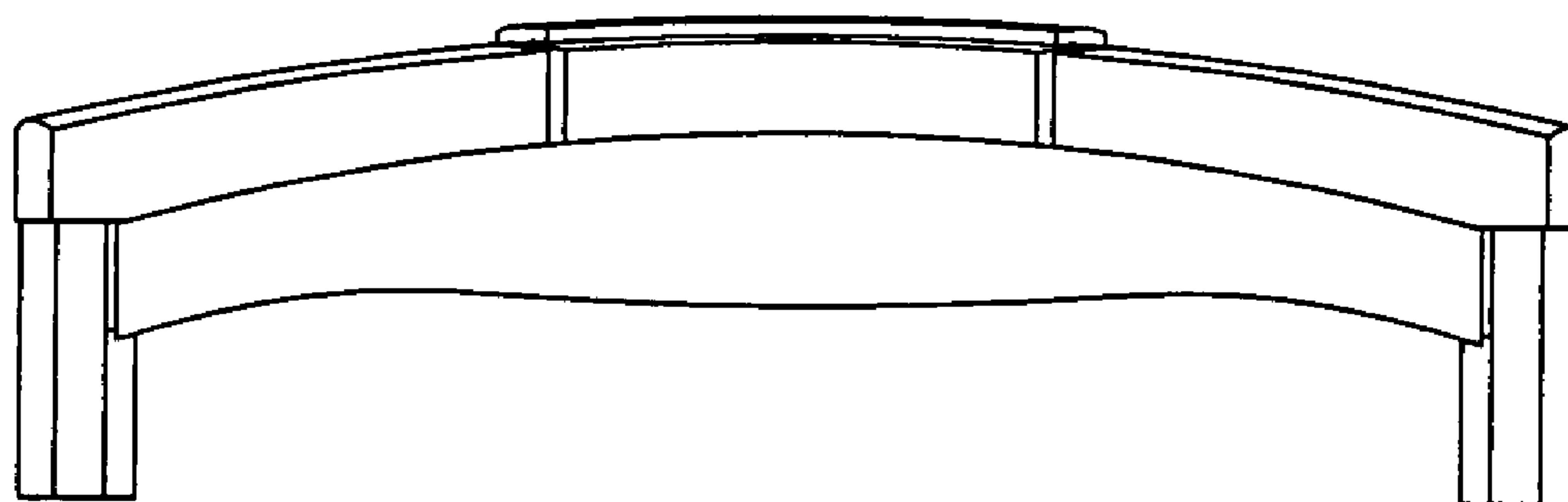


FIG. 2

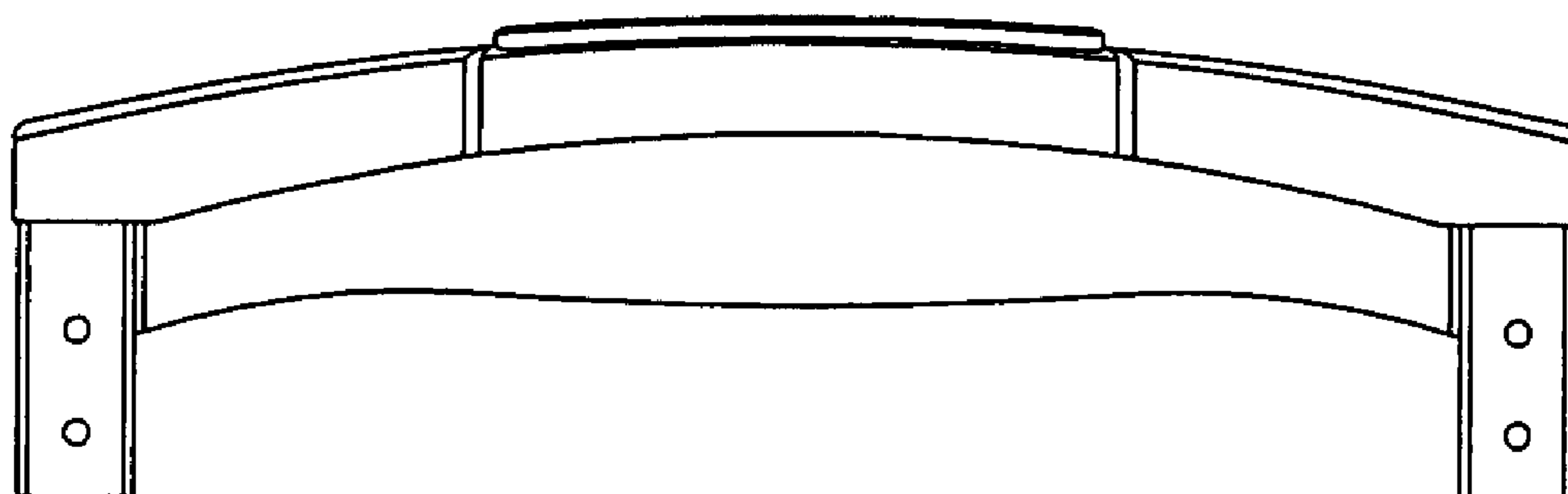


FIG. 3

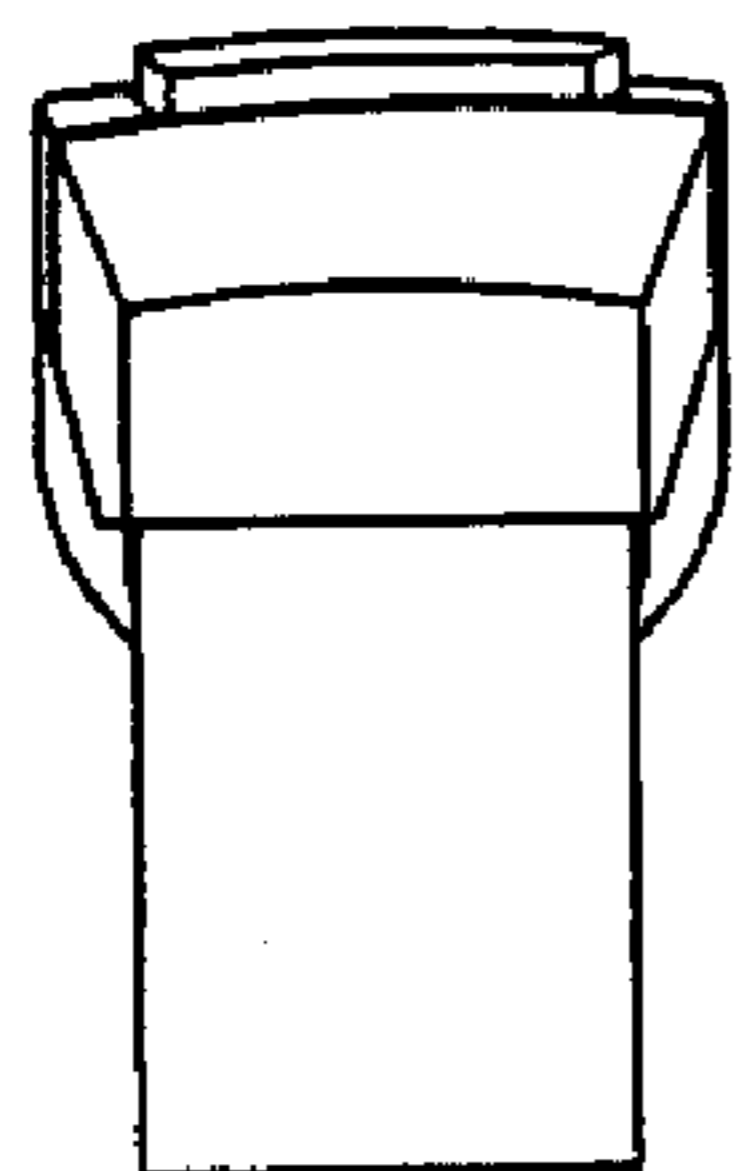


FIG. 4

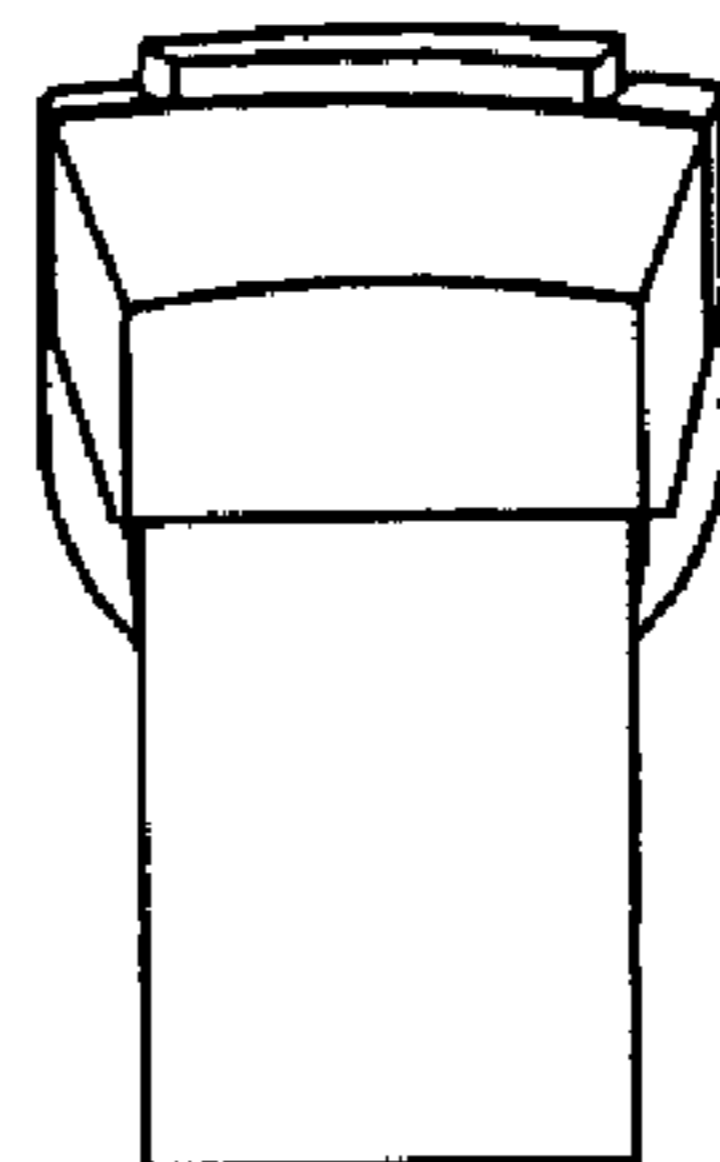


FIG. 5

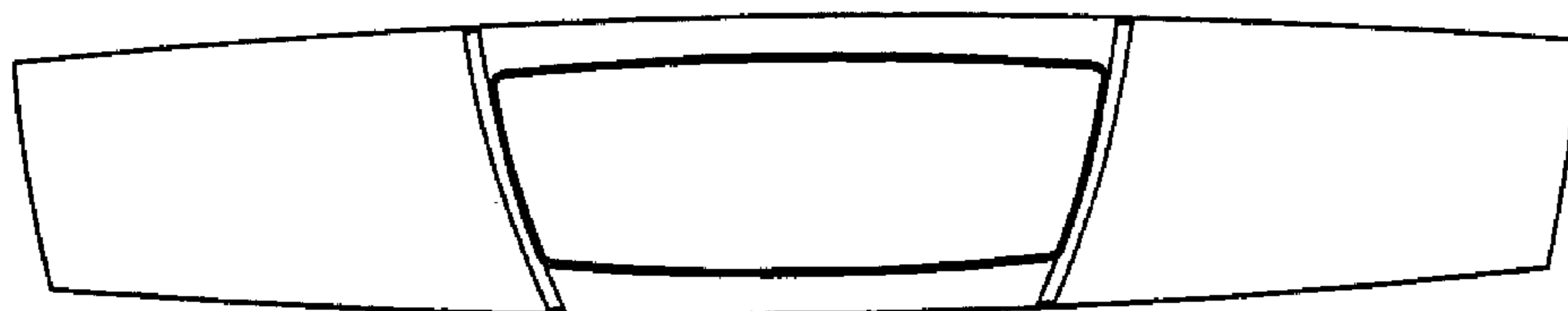


FIG. 6



FIG. 7