



US00D575510S

(12) **United States Design Patent**  
**Summers**

(10) **Patent No.:** **US D575,510 S**

(45) **Date of Patent:** **\*\* Aug. 26, 2008**

(54) **LIDDED CASE**

(75) Inventor: **Kim R. Summers**, Osceola, IN (US)

(73) Assignee: **Kspirit, LLC**, Osceola, IN (US)

(\*\*) Term: **14 Years**

(21) Appl. No.: **29/297,085**

(22) Filed: **Nov. 2, 2007**

(51) **LOC (8) Cl.** ..... **03-01**

(52) **U.S. Cl.** ..... **D3/295**

(58) **Field of Classification Search** ..... D3/272–273,  
D3/294–295, 302, 903; D6/432, 436, 440,  
D6/470; D9/418, 425, 432; 206/278.1, 457,  
206/776

See application file for complete search history.

(56) **References Cited**

**U.S. PATENT DOCUMENTS**

D75,782 S *	7/1928	Eberhart	.....	D3/272
D110,113 S *	6/1938	Marcell	.....	D3/294
D155,946 S *	11/1949	Ulvad	.....	D9/425
D178,896 S *	10/1956	Meyer	.....	D3/294
D203,887 S *	2/1966	Braun	.....	D3/295
D227,726 S *	7/1973	Sinclair	.....	D6/470
D275,916 S *	10/1984	Brandel	.....	D6/436
4,879,145 A *	11/1989	McLellan et al.	.....	428/14
D349,812 S *	8/1994	Rockery et al.	.....	D3/273

D380,108 S *	6/1997	Rodack	.....	D6/470
D407,237 S *	3/1999	Stangl	.....	D6/440
D422,786 S *	4/2000	Wu	.....	D3/271.6
D422,810 S *	4/2000	Rasp	.....	D6/480
D423,249 S *	4/2000	Hawang	.....	D6/440
D430,753 S *	9/2000	Stangl	.....	D6/440
D459,881 S *	7/2002	Kim	.....	D3/273
D488,298 S *	4/2004	Freeman	.....	D3/294

\* cited by examiner

*Primary Examiner*—T. Chase Nelson

*Assistant Examiner*—Roselynn Cody

(74) *Attorney, Agent, or Firm*—Botkin & Hall, LLP

(57) **CLAIM**

The ornamental design for a lidded case, as shown.

**DESCRIPTION**

FIG. 1 is a front perspective view of a case showing my new design;

FIG. 2 is a front elevational view thereof;

FIG. 3. is a top plan view thereof;

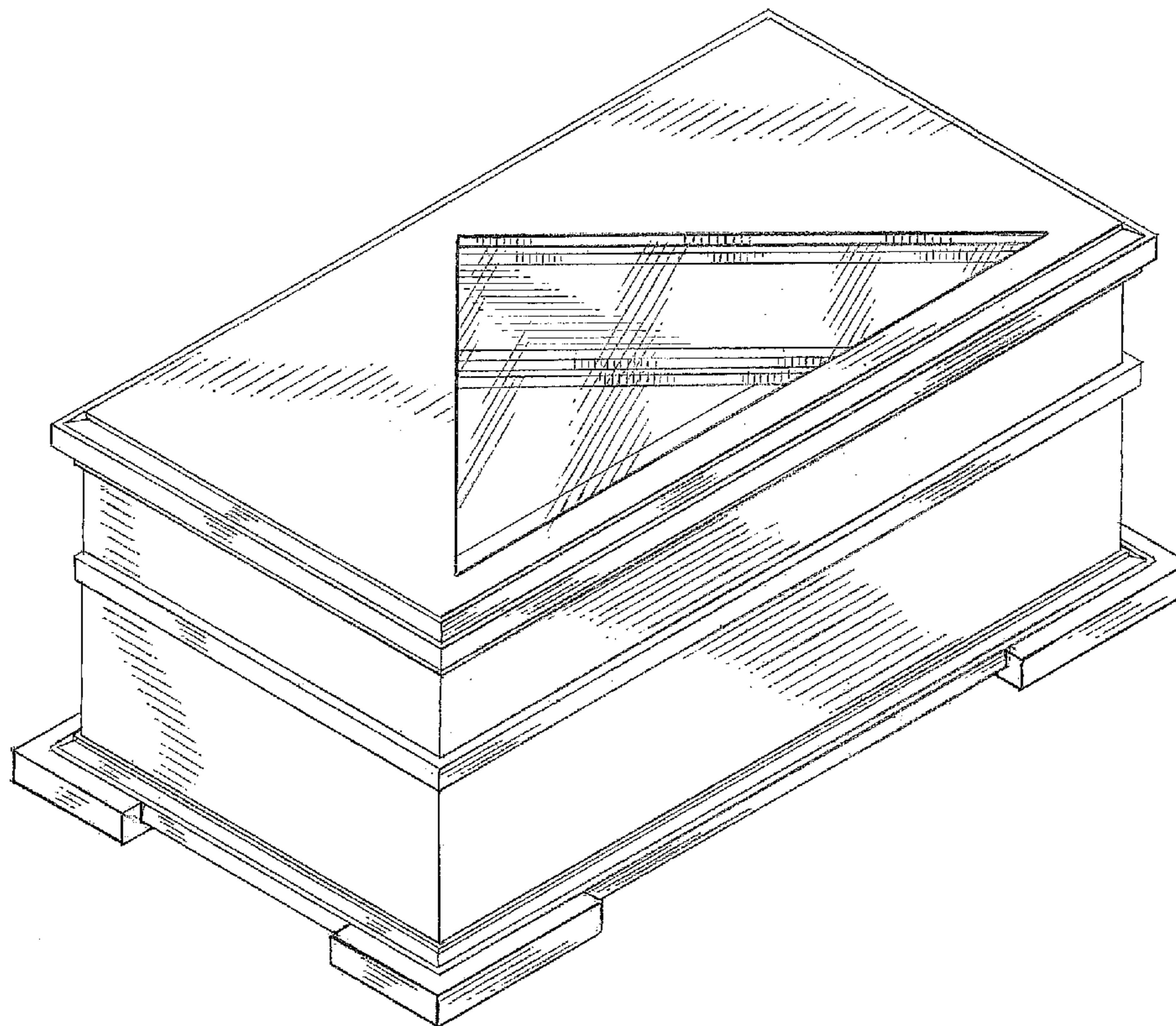
FIG. 4. is a right end view thereof;

FIG. 5. is a left end view thereof;

FIG. 6. is a rear elevational view thereof; and,

FIG. 7. is a bottom plan view thereof, which is substantially unornamented.

**1 Claim, 3 Drawing Sheets**



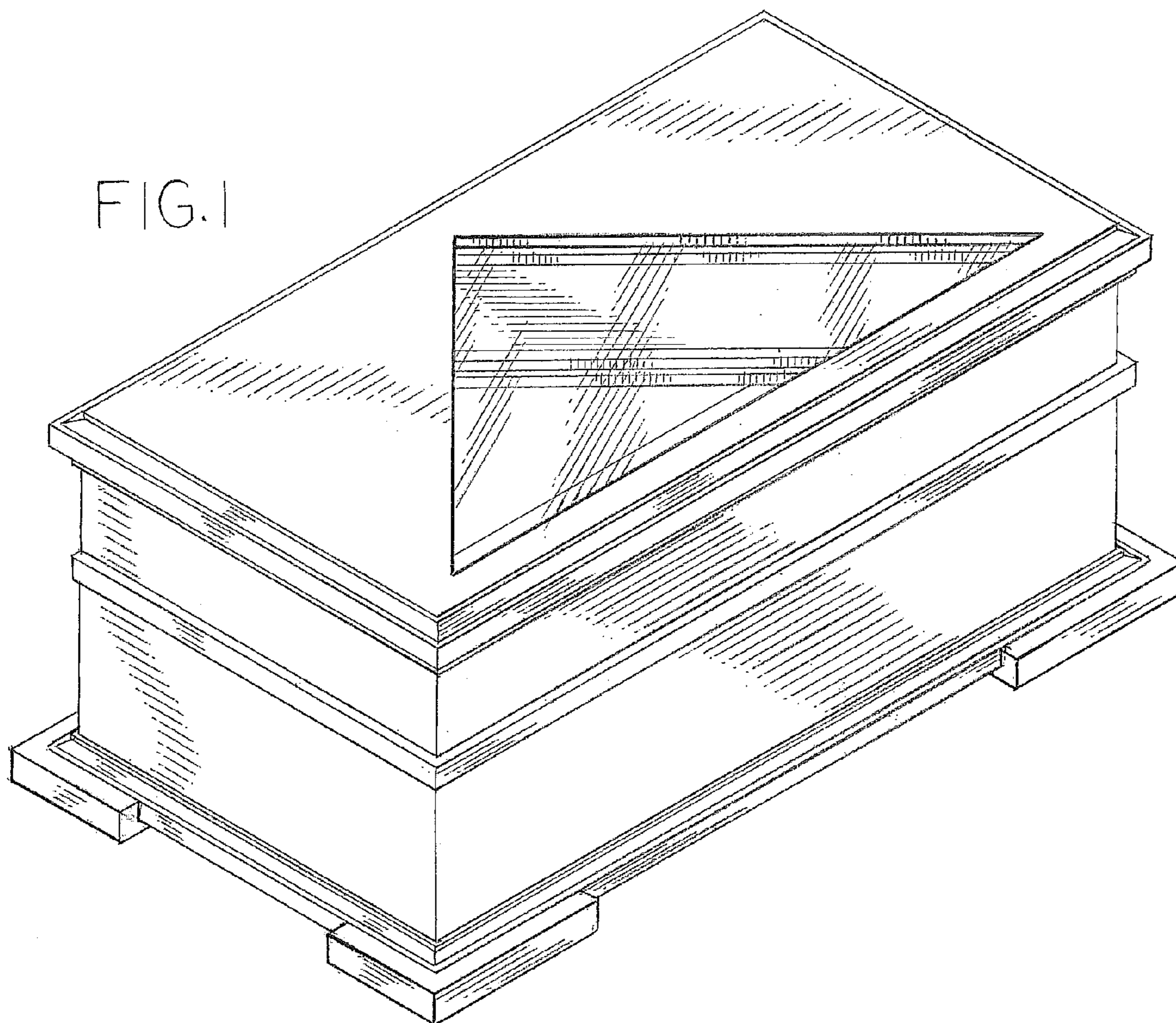


FIG. 2

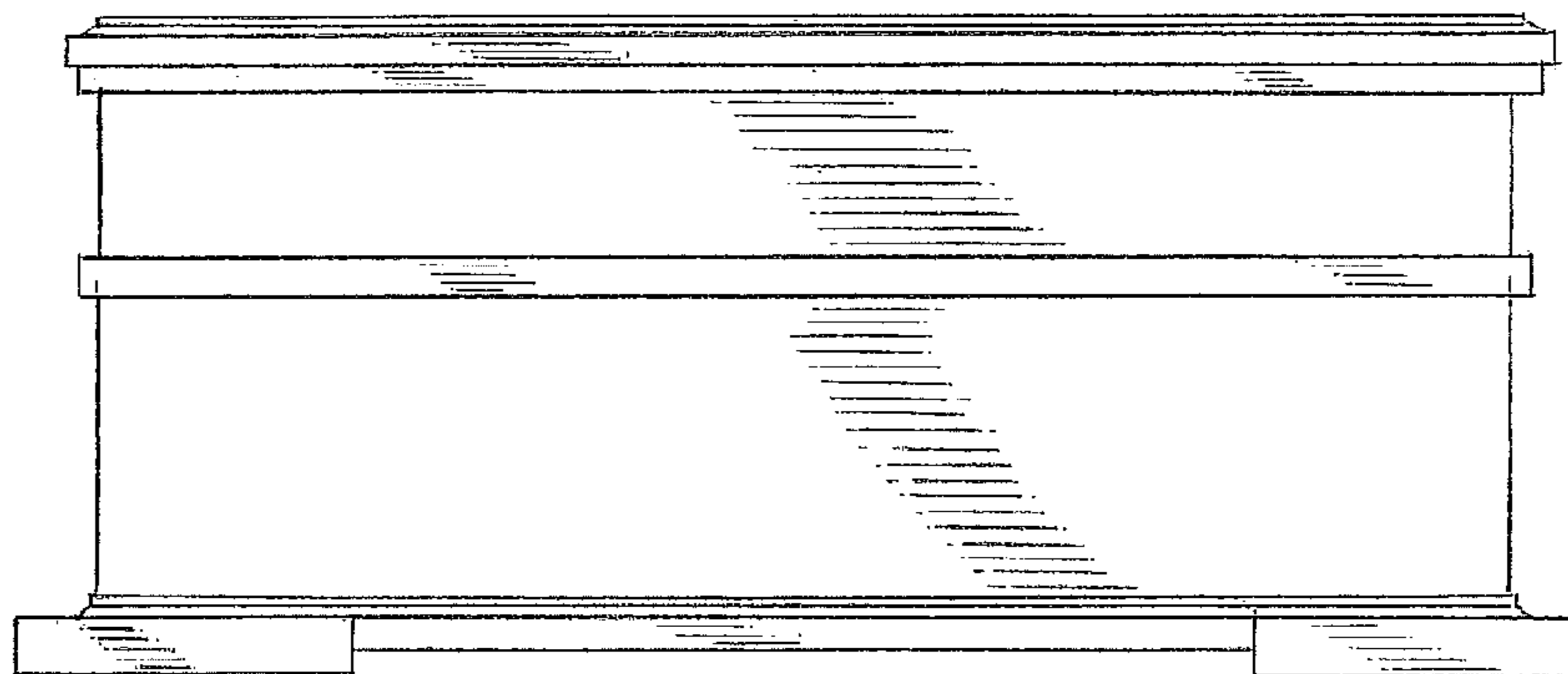


FIG.3

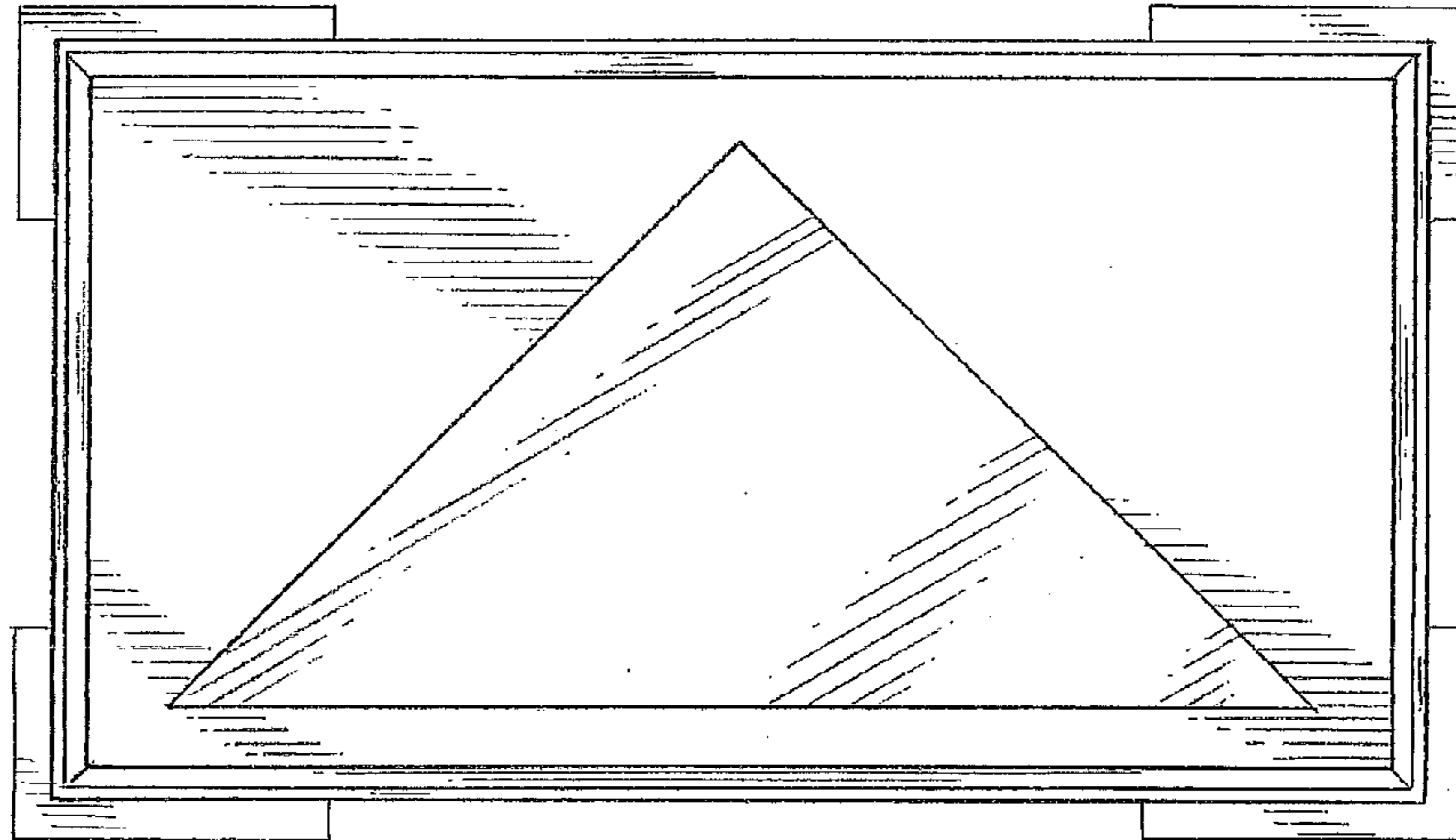


FIG.4

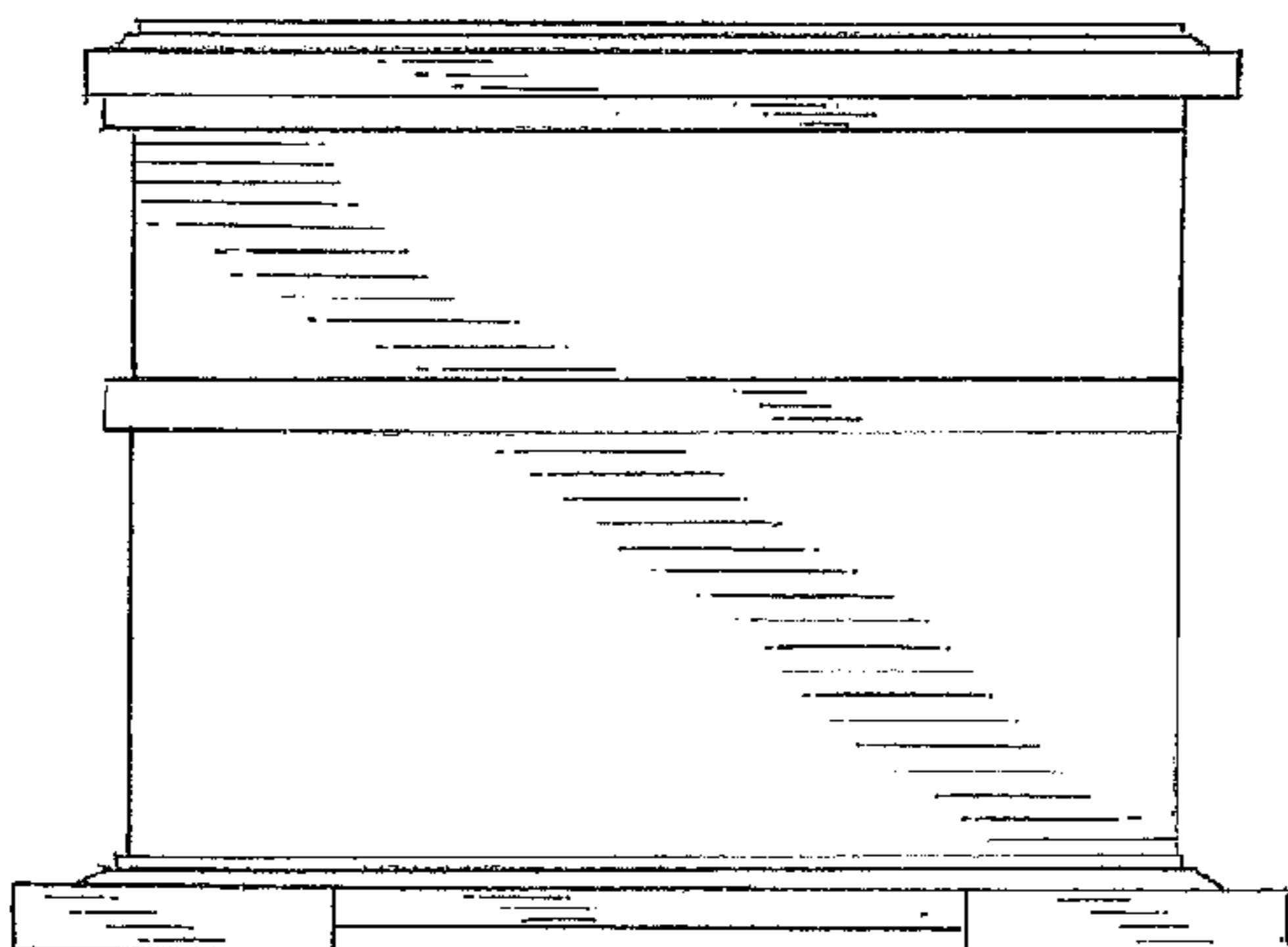


FIG.5

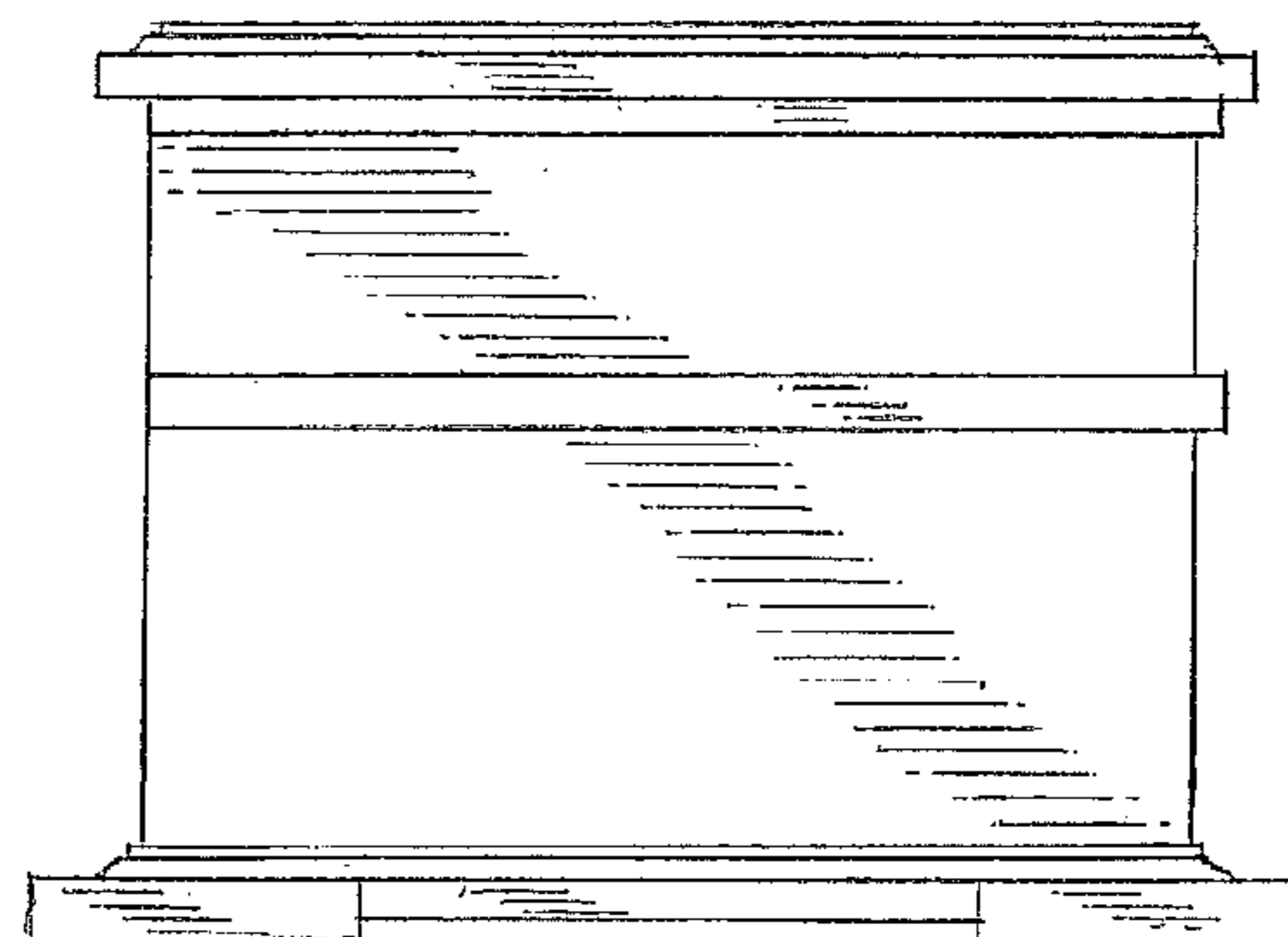


FIG.6

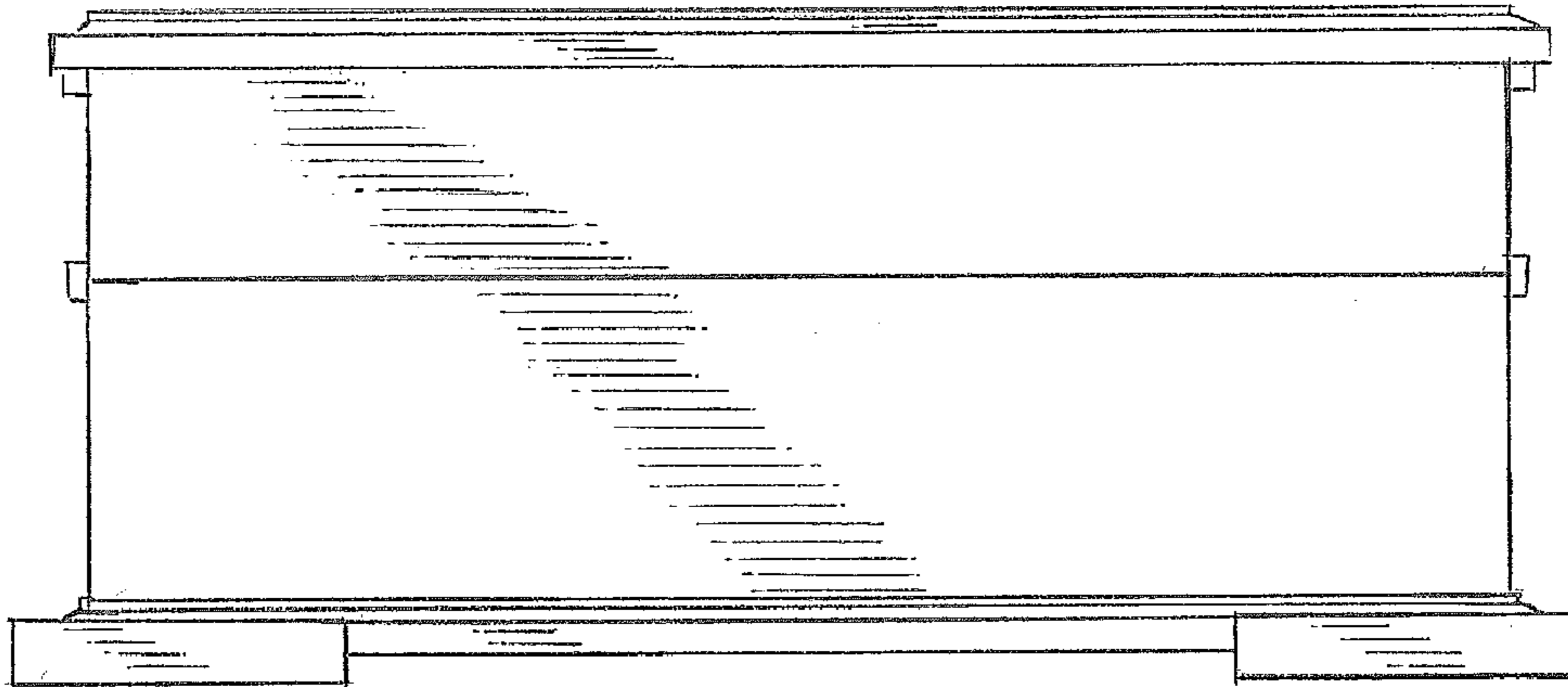


FIG.7

