



US00D575508S

(12) **United States Design Patent**  
**Shanahan**

(10) **Patent No.:** **US D575,508 S**

(45) **Date of Patent:** **\*\* Aug. 26, 2008**

(54) **CONTAINER**

(76) Inventor: **John M. Shanahan**, c/o Cheryl A. Skigin, Esq., 8502 E. Chapman, Suite 616, Orange, CA (US) 92869

(\*\*) Term: **14 Years**

(21) Appl. No.: **29/268,455**

(22) Filed: **Nov. 7, 2006**

(51) **LOC (8) Cl.** ..... **03-01**

(52) **U.S. Cl.** ..... **D3/271.1; D3/302; D3/211**

(58) **Field of Classification Search** ..... D3/201, D3/205, 207-208, 211, 270, 271.1, 273, 302, D3/904; D9/600, 667, 669; D11/70, 79, D11/81, 96, 108, 125; D19/97; 206/19, 206/457; 220/23.87

See application file for complete search history.

(56) **References Cited**

**U.S. PATENT DOCUMENTS**

- D10,970 S \* 12/1878 Weller et al. .... D9/669
- D340,837 S \* 11/1993 Fox ..... D9/669
- D462,898 S \* 9/2002 Weinstock ..... D9/669

\* cited by examiner

*Primary Examiner*—Philip Hyder  
*Assistant Examiner*—Roselyne Cody

(74) *Attorney, Agent, or Firm*—Rader, Fishman & Grauer PLLC

(57) **CLAIM**

The ornamental design for a container, as shown and described.

**DESCRIPTION**

FIG. 1 is a perspective view of a container.

FIG. 2 is a perspective view of an open container.

FIG. 3 is a front view of a container.

FIG. 4 is a front view of an open container.

FIG. 5 is a top view of a container.

FIG. 6 is a bottom view of the top portion of an open container and a top view of a bottom portion of an open container.

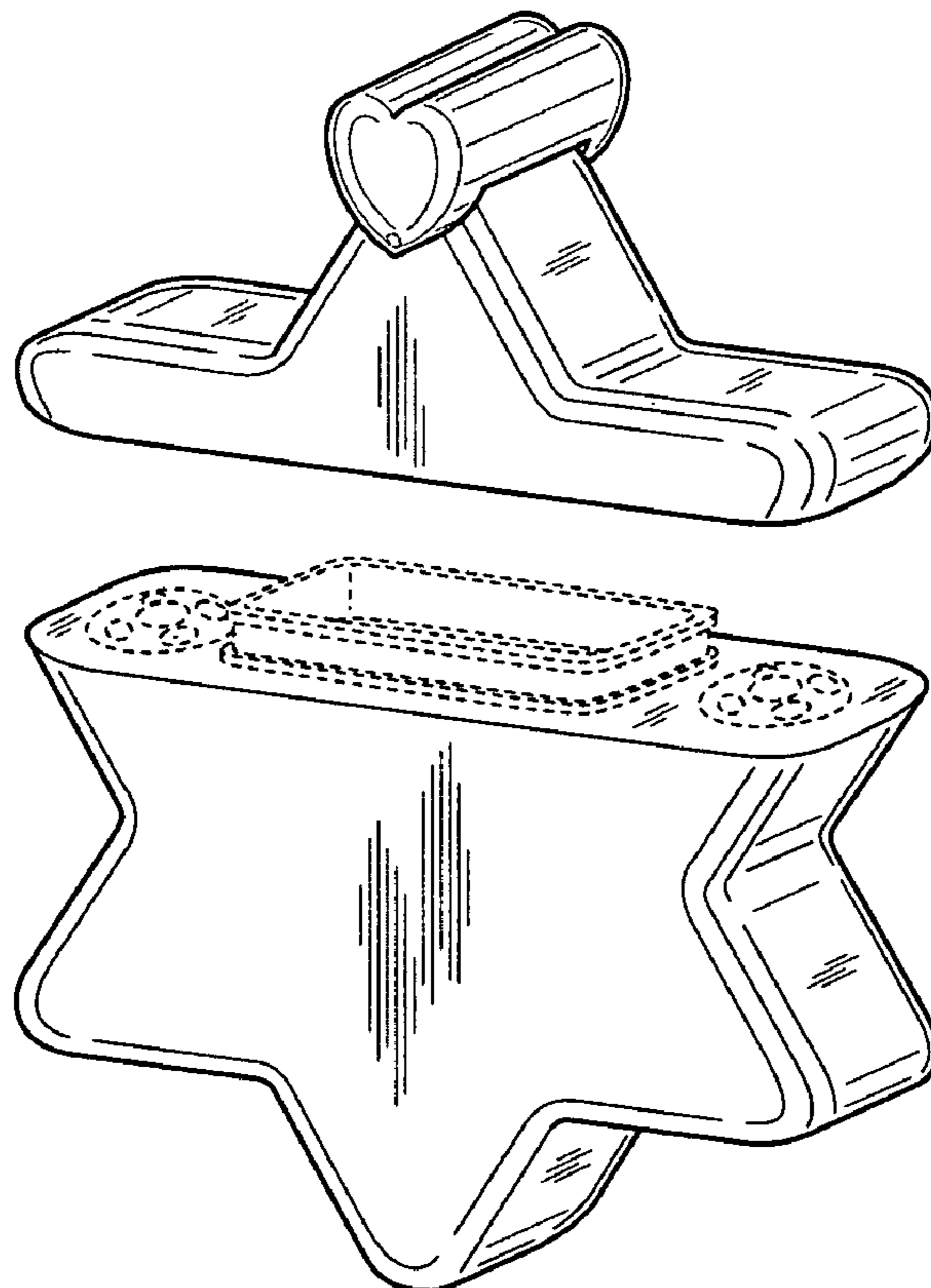
FIG. 7 is a bottom view of a container.

FIG. 8 is a side view of a container; and,

FIG. 9 is a side view of an open container.

The broken lines shown in FIGS. 2, 4, 6, and 9 are illustrative of environment and form no part of the claimed design.

**1 Claim, 4 Drawing Sheets**



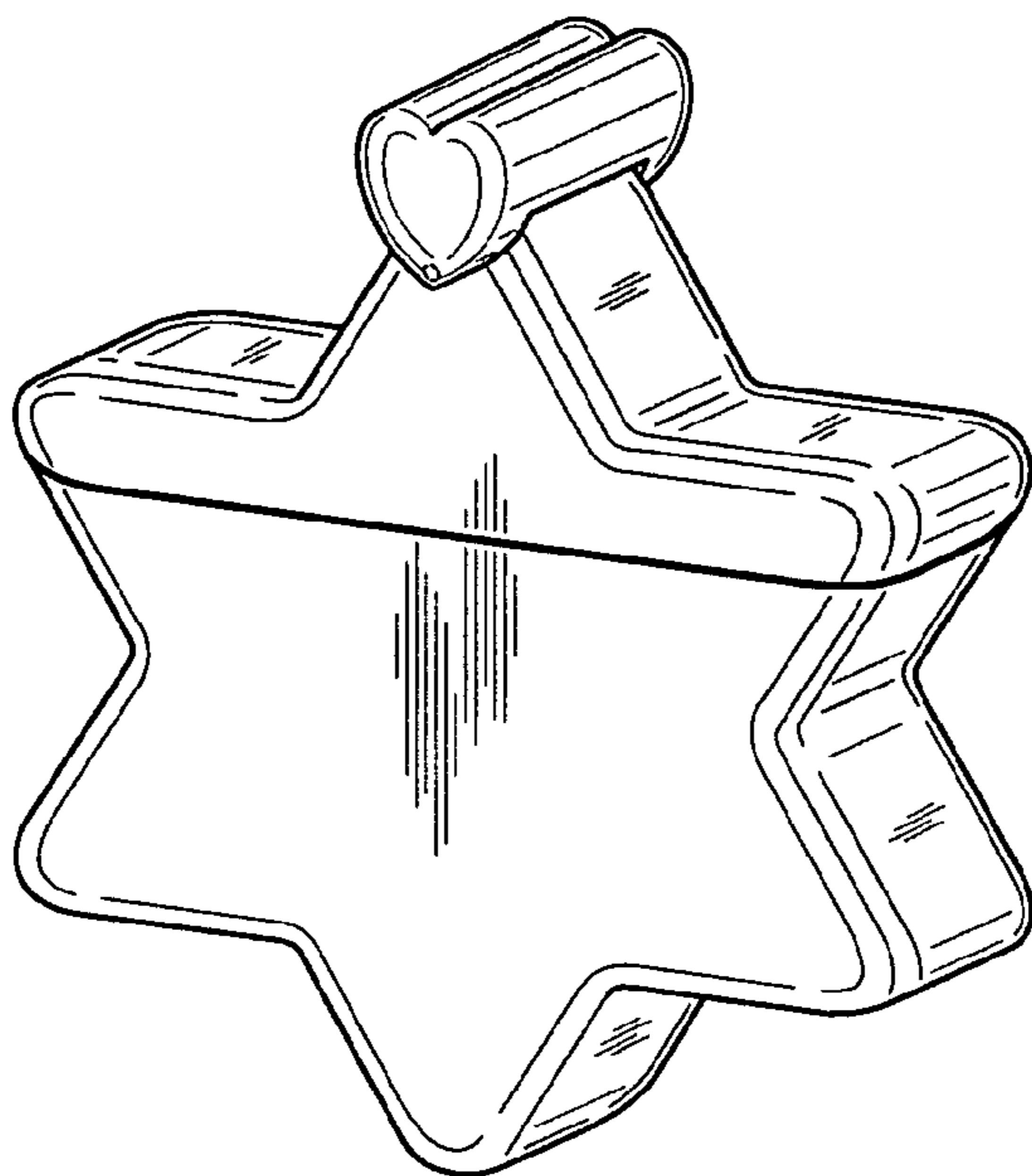


FIG. 1

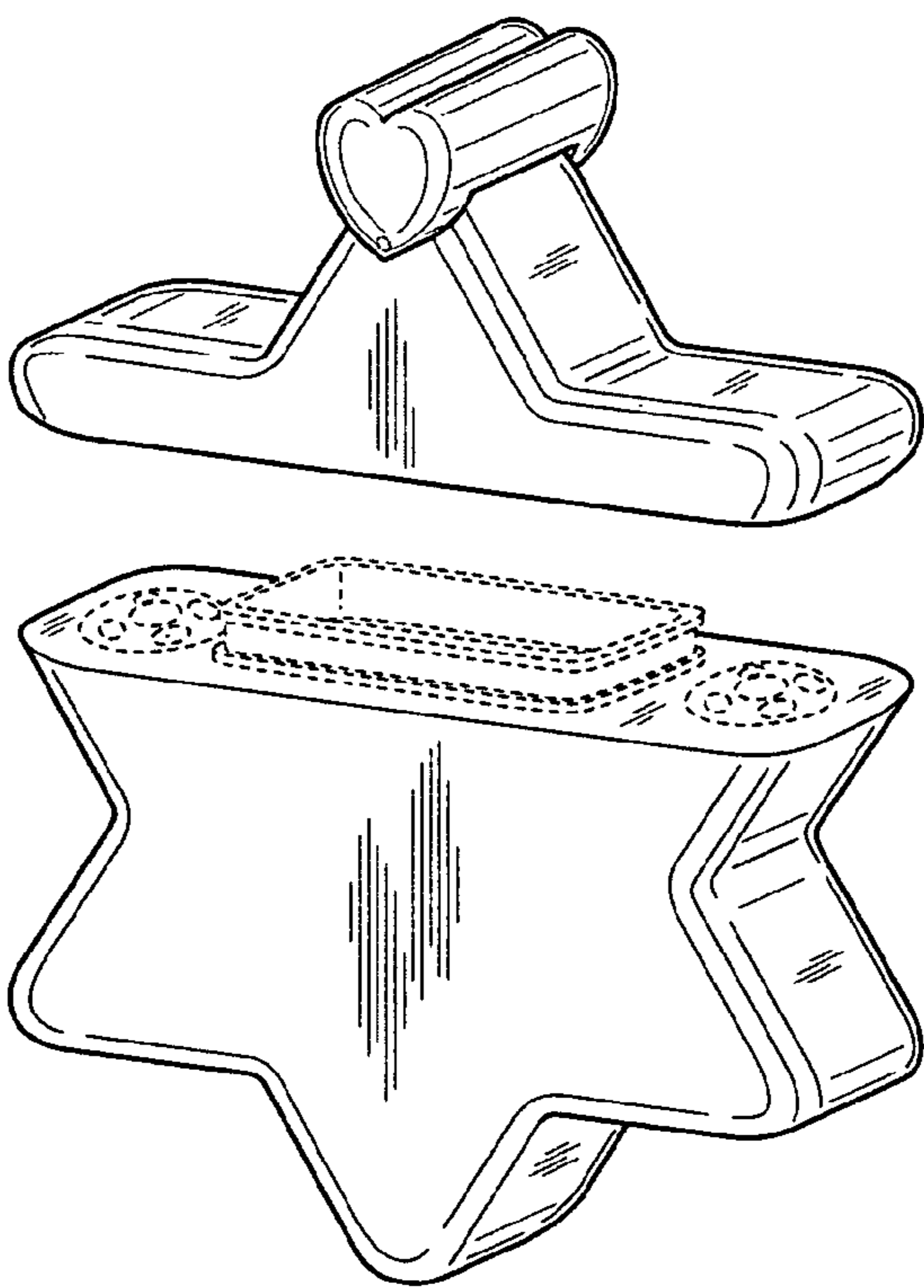


FIG. 2

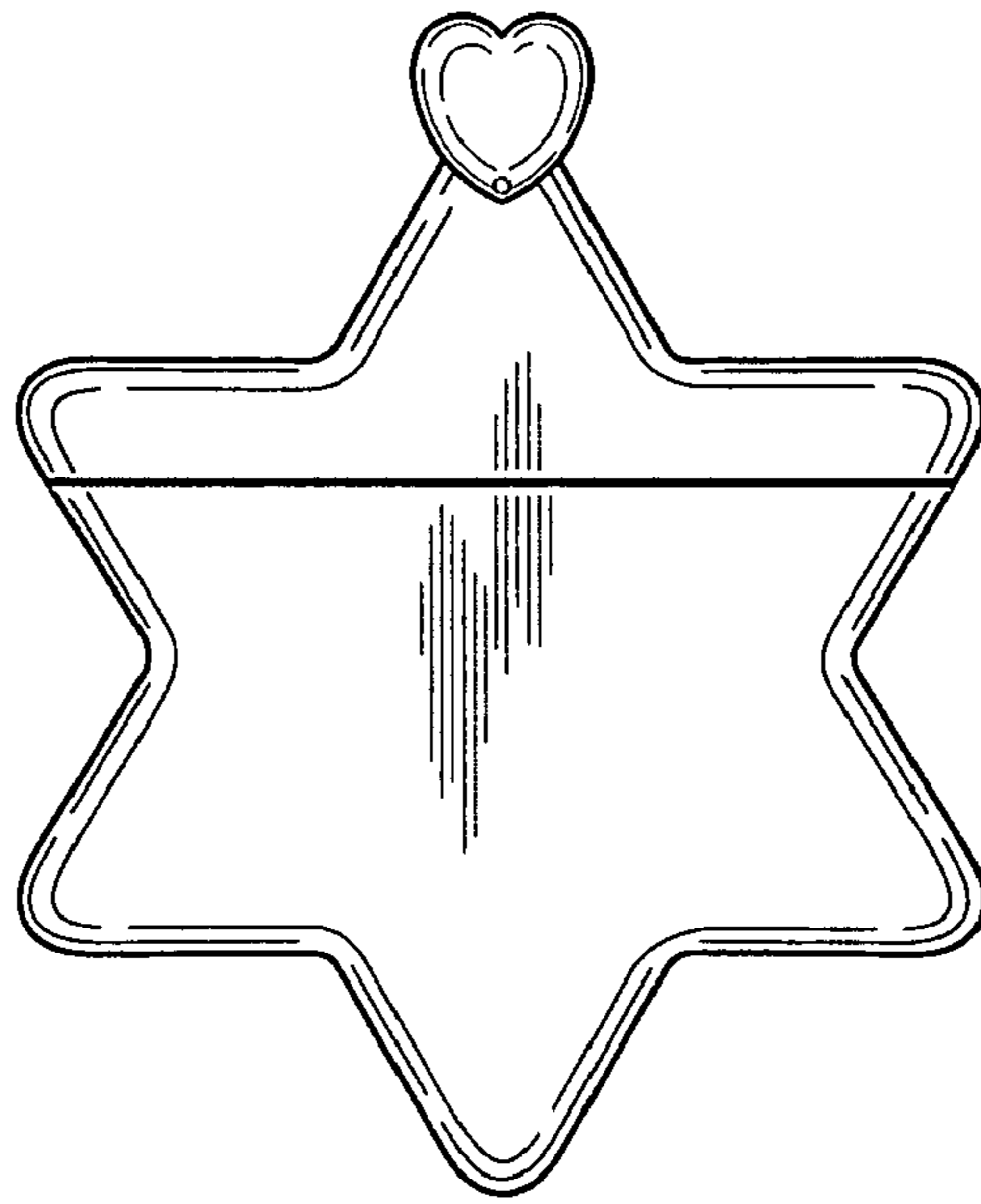


FIG. 3

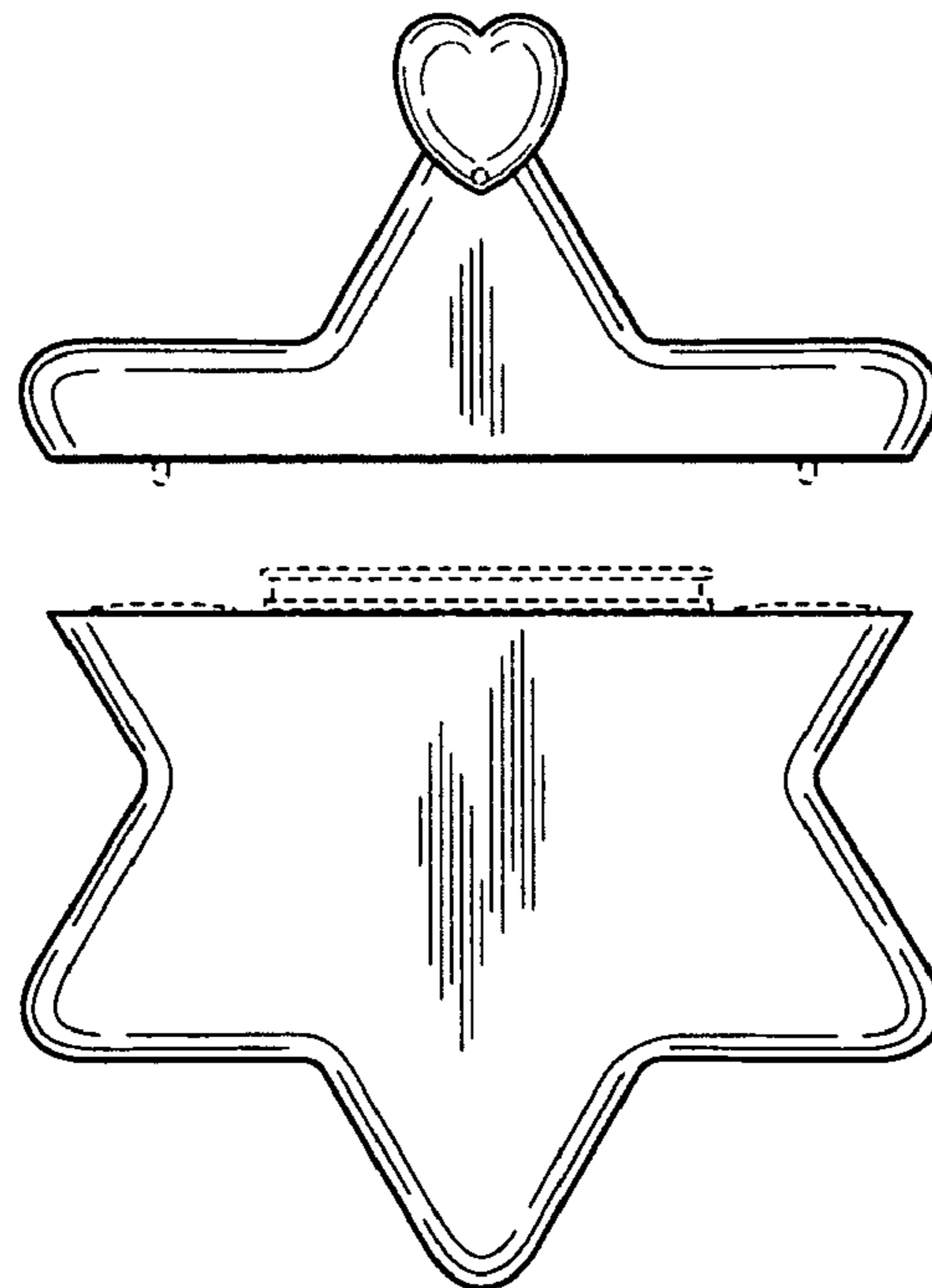


FIG. 4

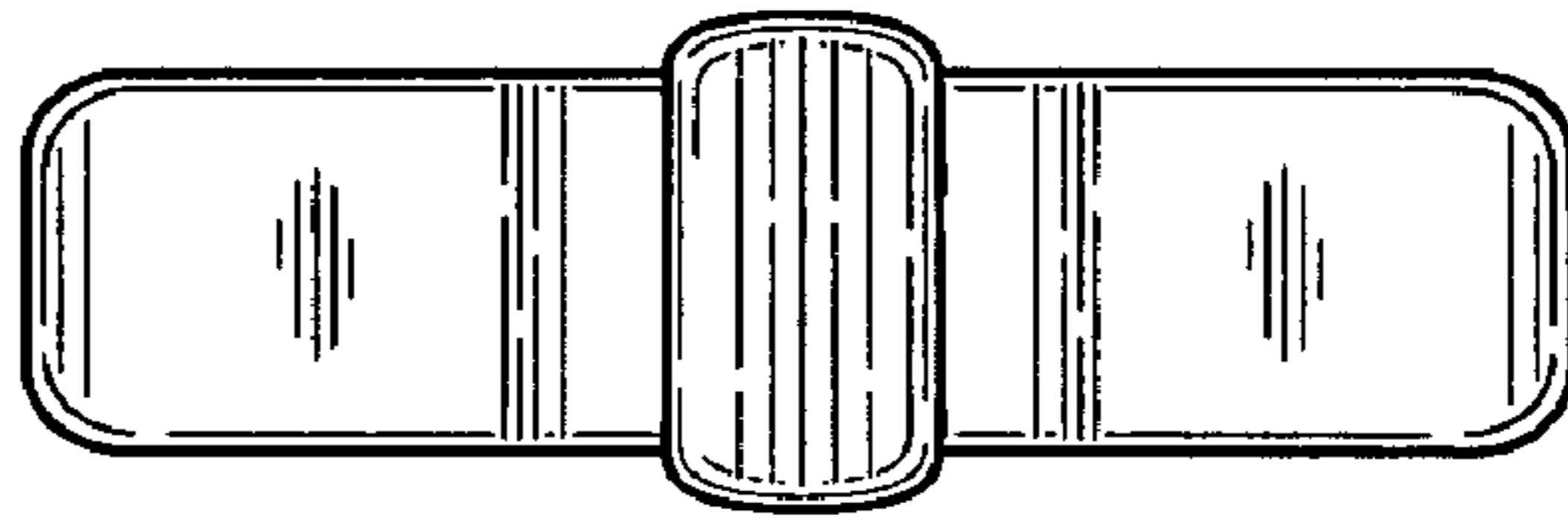


FIG. 5

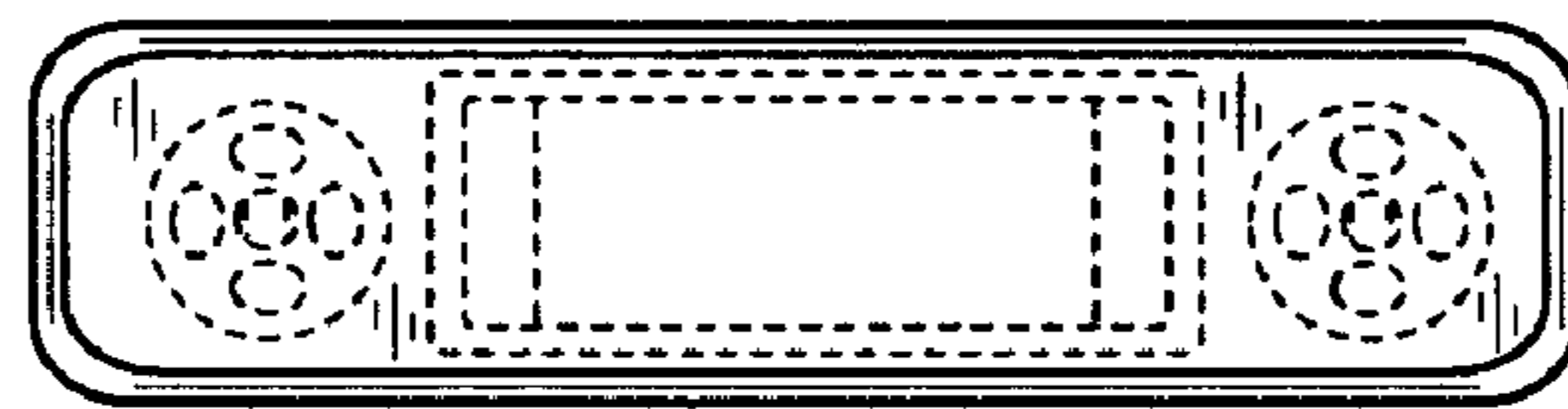
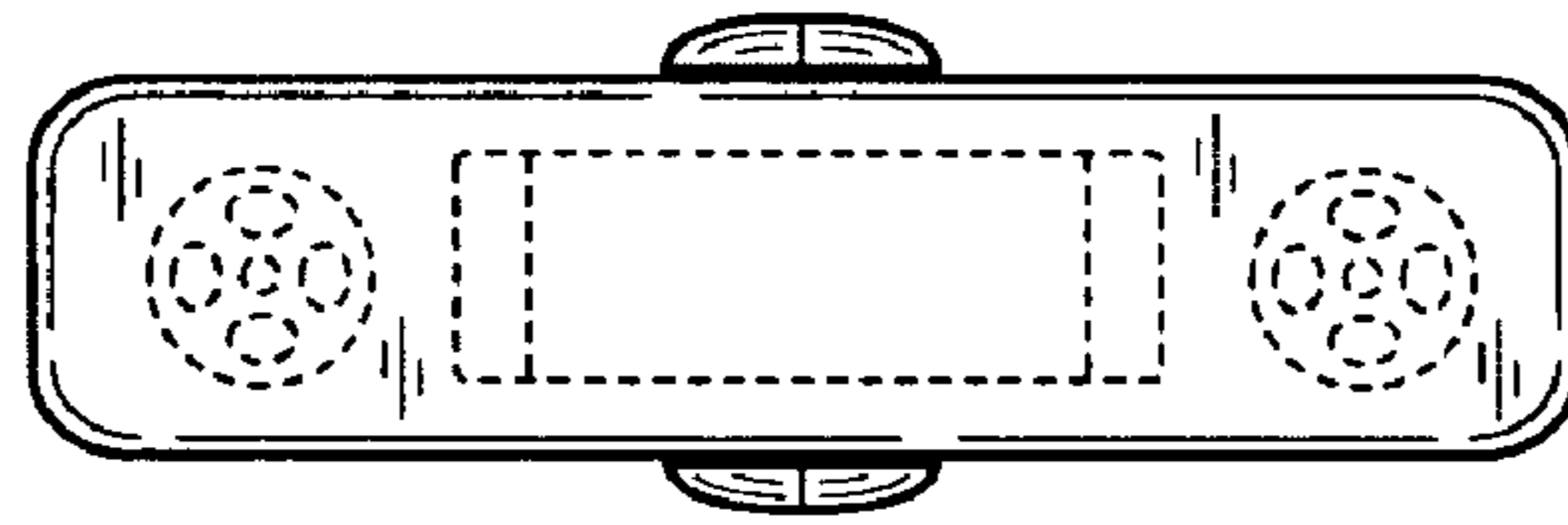


FIG. 6

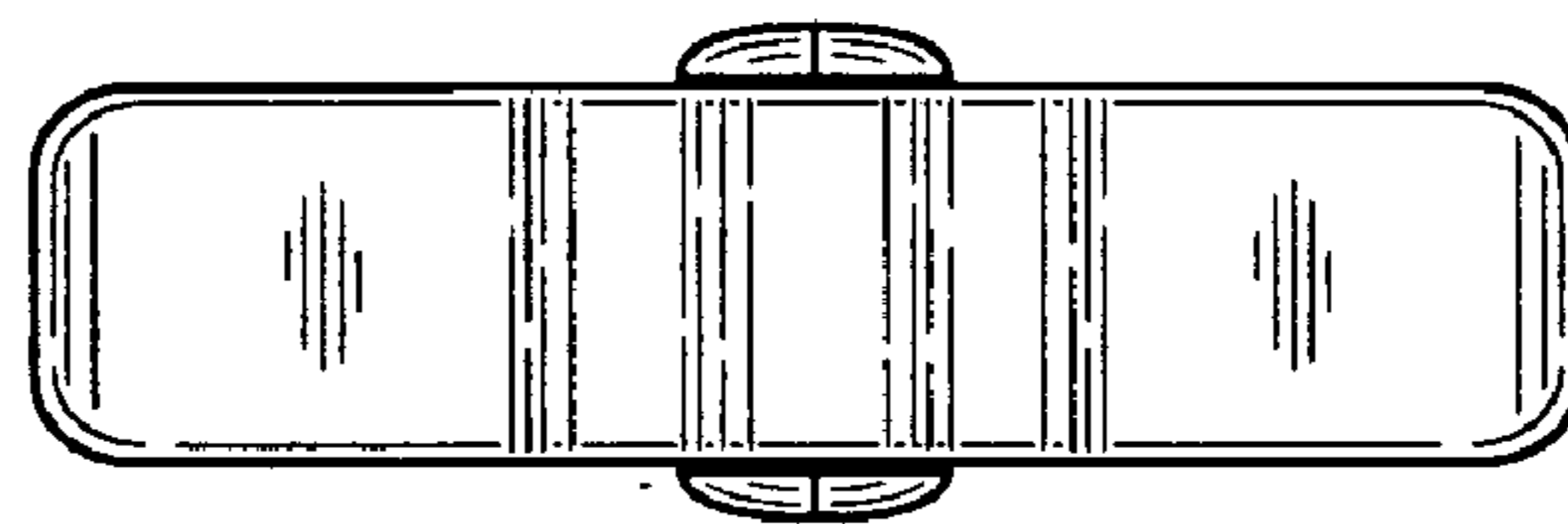


FIG. 7

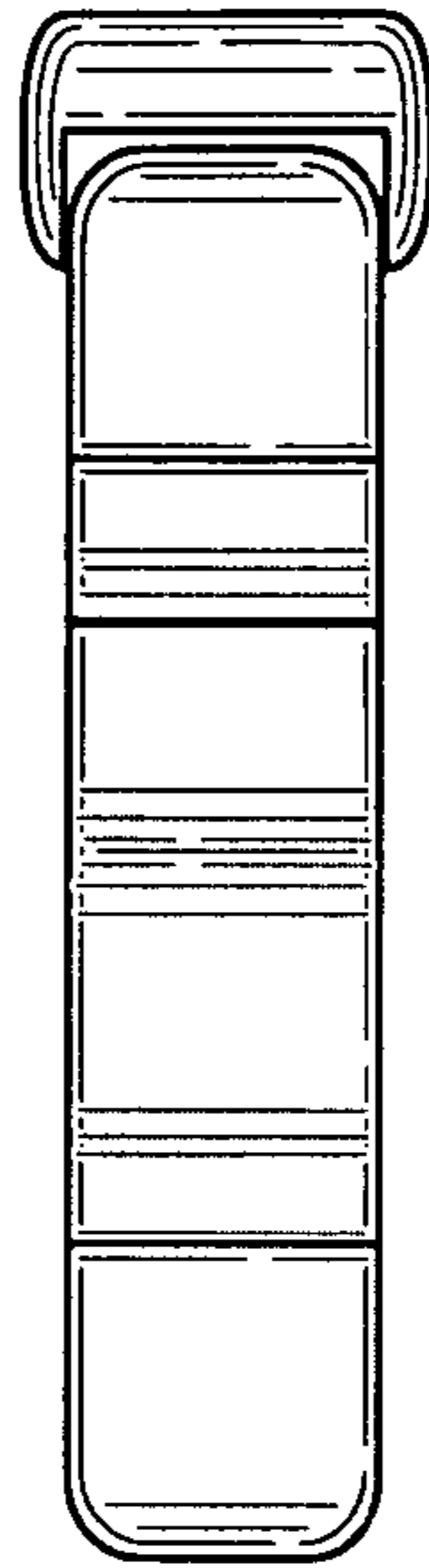


FIG. 8

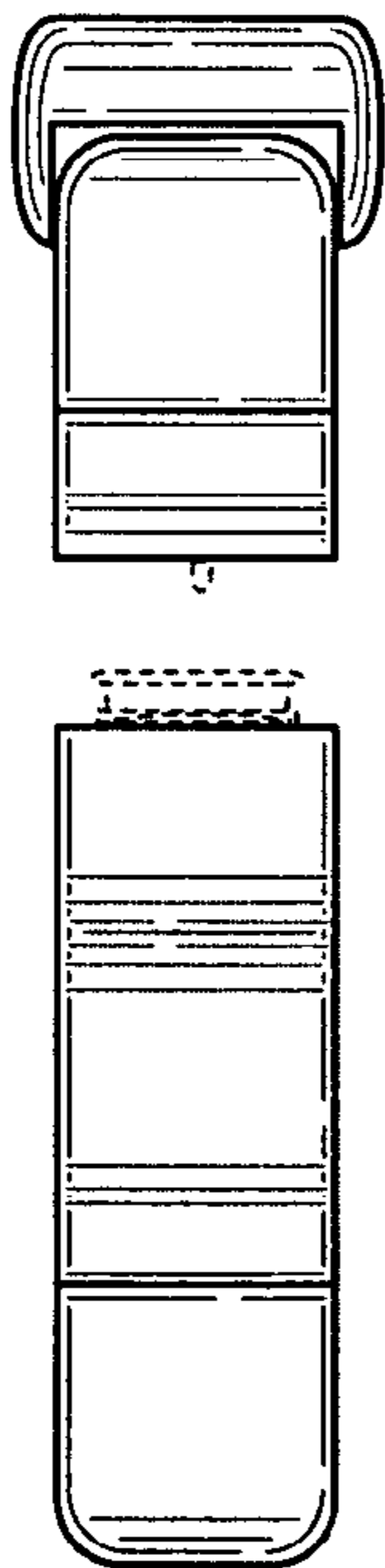


FIG. 9