

US00D575506S

(12) **United States Design Patent**
Huang

(10) **Patent No.:** **US D575,506 S**

(45) **Date of Patent:** **** Aug. 26, 2008**

(54) **CARD HOLDER**

(76) Inventor: **Te-Ming Huang**, P.O. Box No. 6-57,
Junghe, Taipei 235 (TW)

(**) Term: **14 Years**

(21) Appl. No.: **29/274,903**

(22) Filed: **Jun. 6, 2007**

(51) **LOC (8) Cl.** **03-01**

(52) **U.S. Cl.** **D3/247**

(58) **Field of Classification Search** D3/247,
D3/248, 249, 250, 251, 253; 150/131, 132,
150/133, 134, 135, 136, 137, 138, 139, 140,
150/141, 142, 143, 144, 145, 146, 147, 148,
150/149; D19/9, 10, 75; 206/37, 38, 39,
206/39.4, 449, 815; 224/269, 666, 669, 670;
383/38

See application file for complete search history.

(56) **References Cited**

U.S. PATENT DOCUMENTS

D314,865 S *	2/1991	Tuisku	D3/247
D386,302 S *	11/1997	Taylor	D3/247
5,895,903 A *	4/1999	Abe et al.	235/380
D431,719 S *	10/2000	Mucarquer	D3/247
6,155,410 A *	12/2000	Davis	206/39

2002/0117243 A1* 8/2002 Koren 150/147

* cited by examiner

Primary Examiner—Louis S Zarfaz

Assistant Examiner—Monica A Weingart

(74) *Attorney, Agent, or Firm*—Troxell Law Office, PLLC

(57) **CLAIM**

The ornamental design for a card holder, as shown and described.

DESCRIPTION

FIG. 1 is a top perspective view of a card holder showing my new design;

FIG. 2 is front elevational view thereof;

FIG. 3 is a rear elevational view thereof;

FIG. 4 is left side elevational view thereof;

FIG. 5 is a right side elevational view thereof;

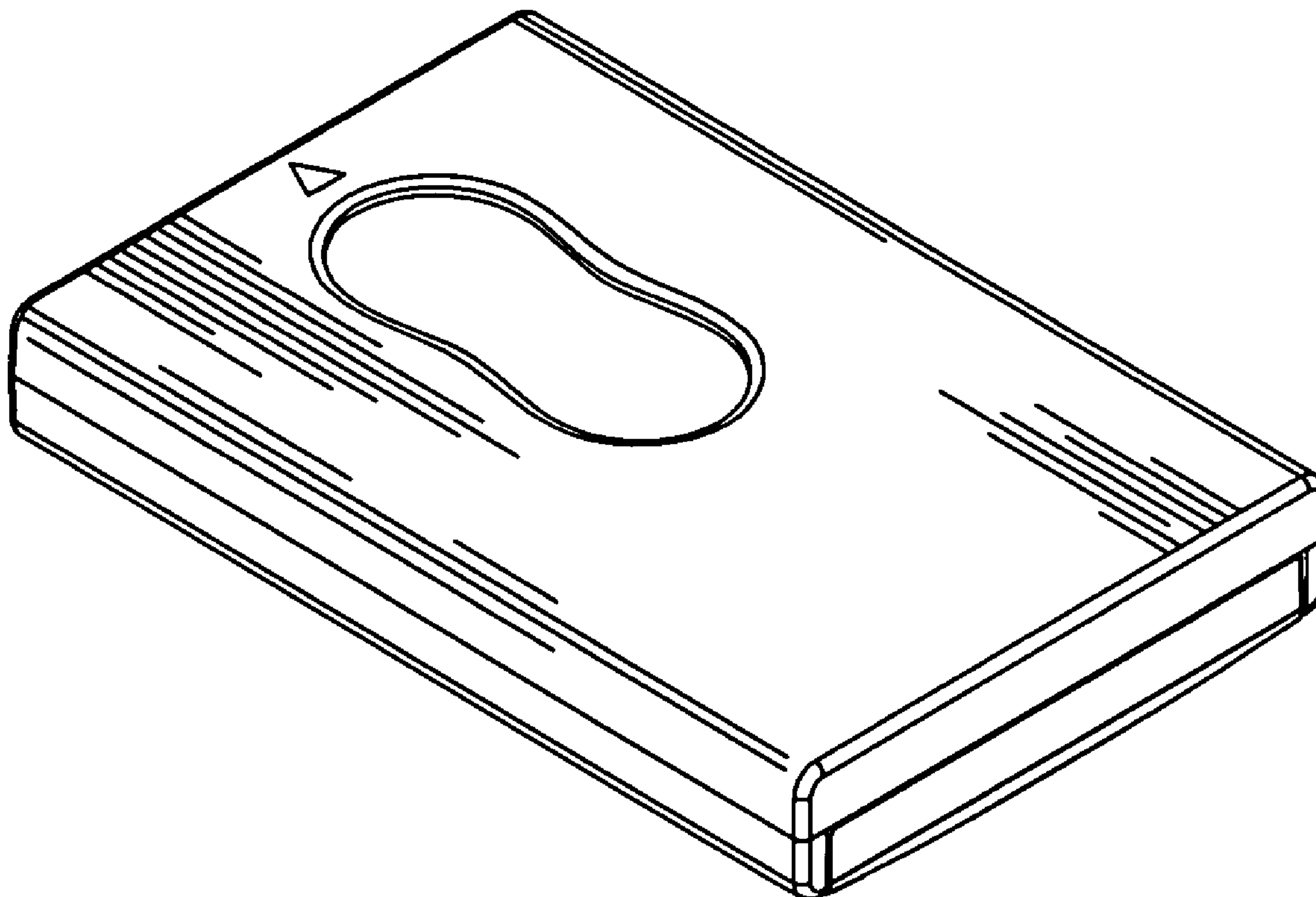
FIG. 6 is a top plan view thereof;

FIG. 7 is a bottom plan view thereof; and,

FIG. 8 is an alternate top perspective view thereof.

The broken line showing, in FIG. 8, is included for the purpose of illustrating environment and forms no part of the claimed design.

1 Claim, 5 Drawing Sheets



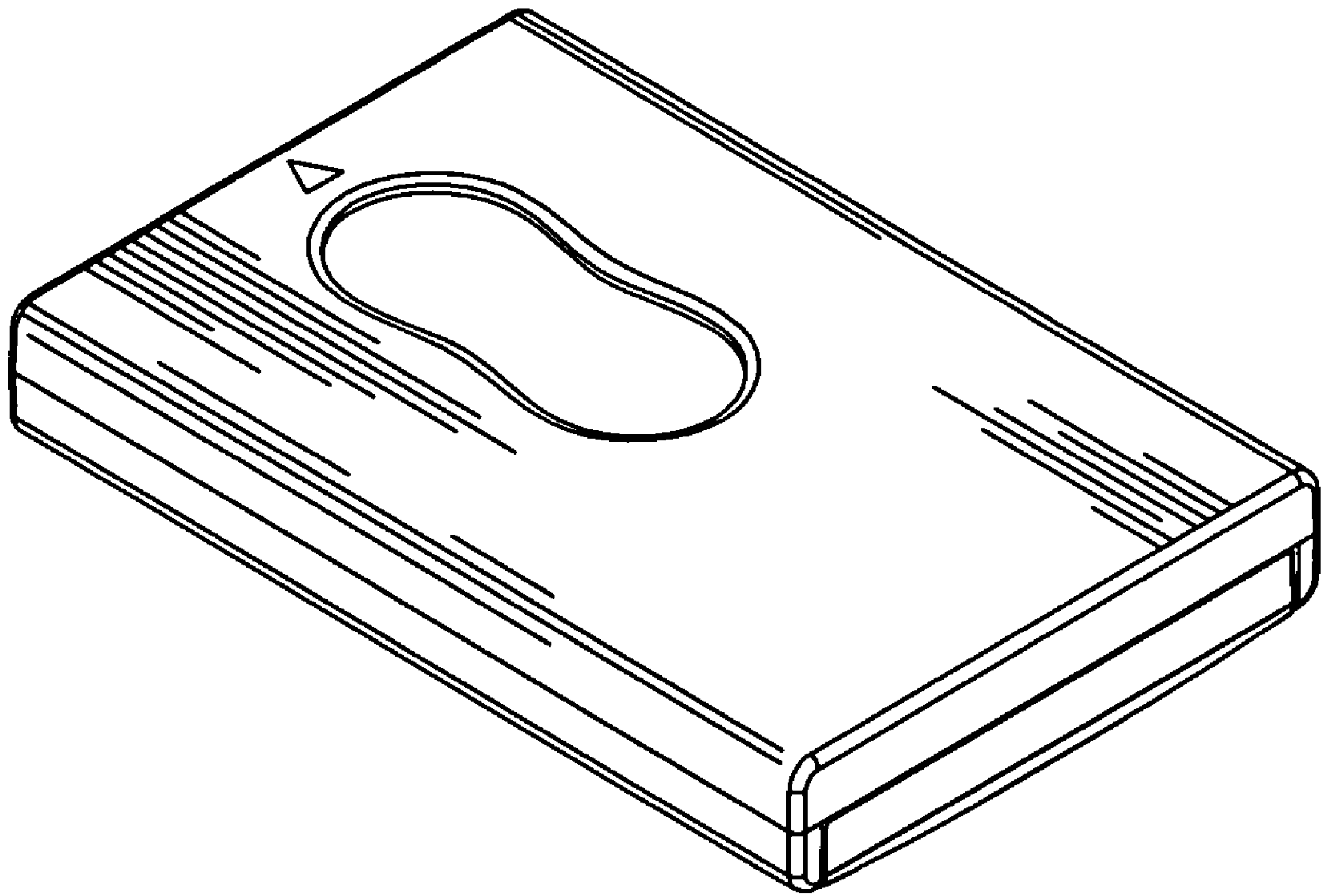


FIG.1

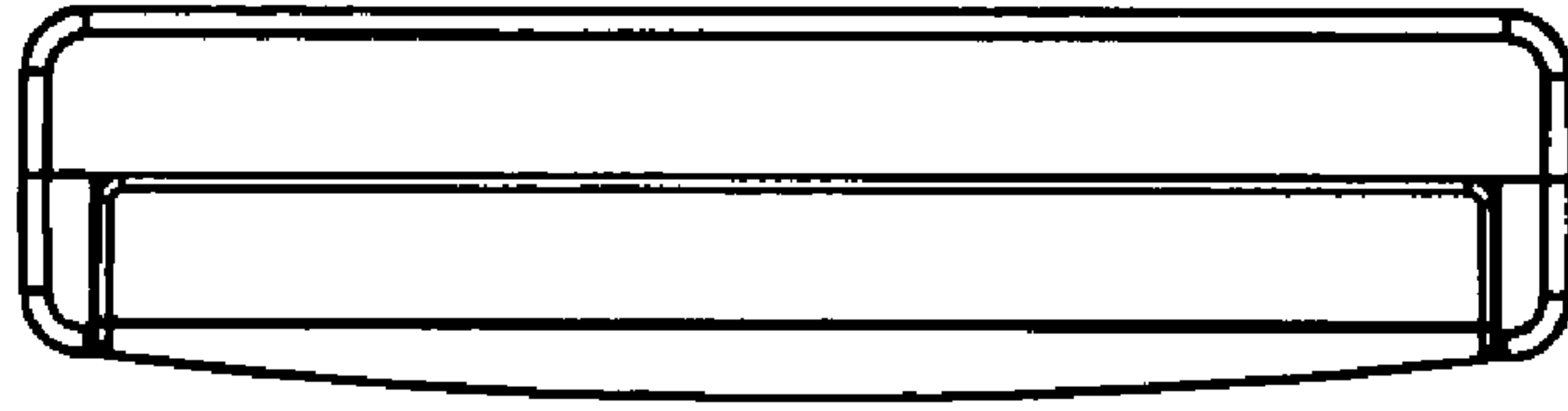


FIG. 2

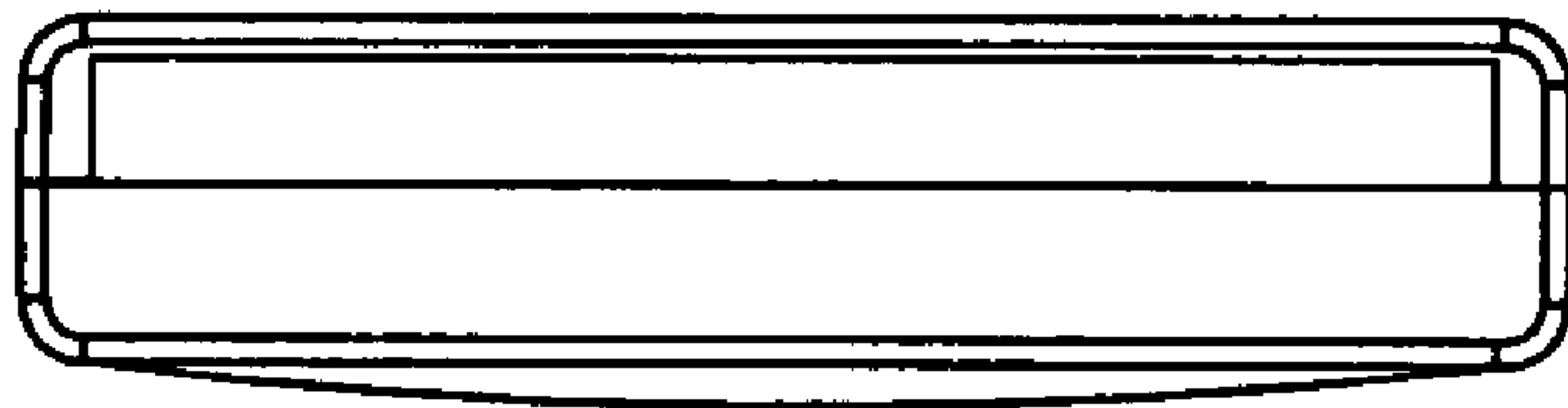


FIG. 3

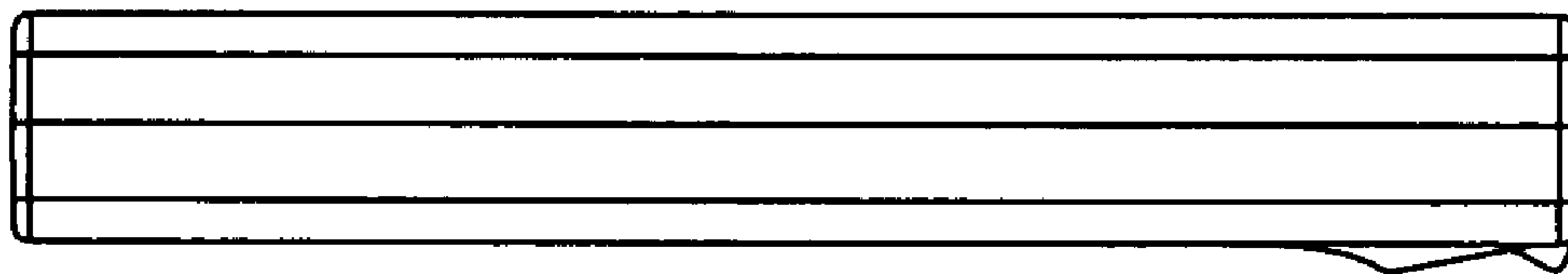


FIG.4

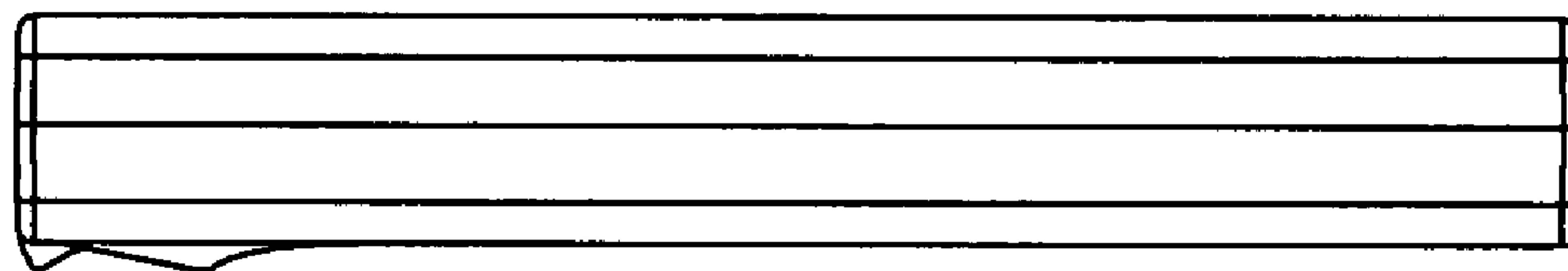


FIG.5

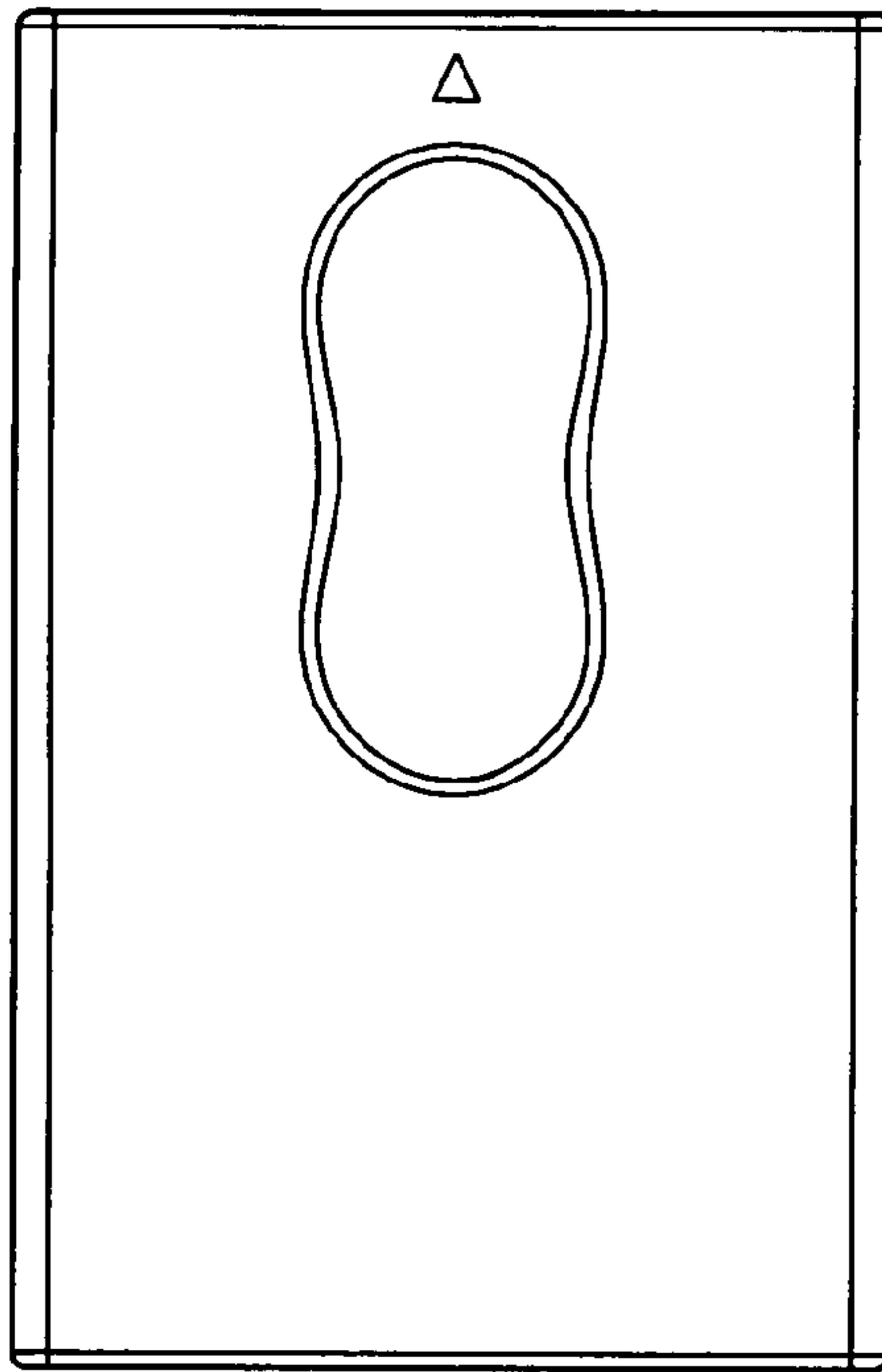


FIG. 6

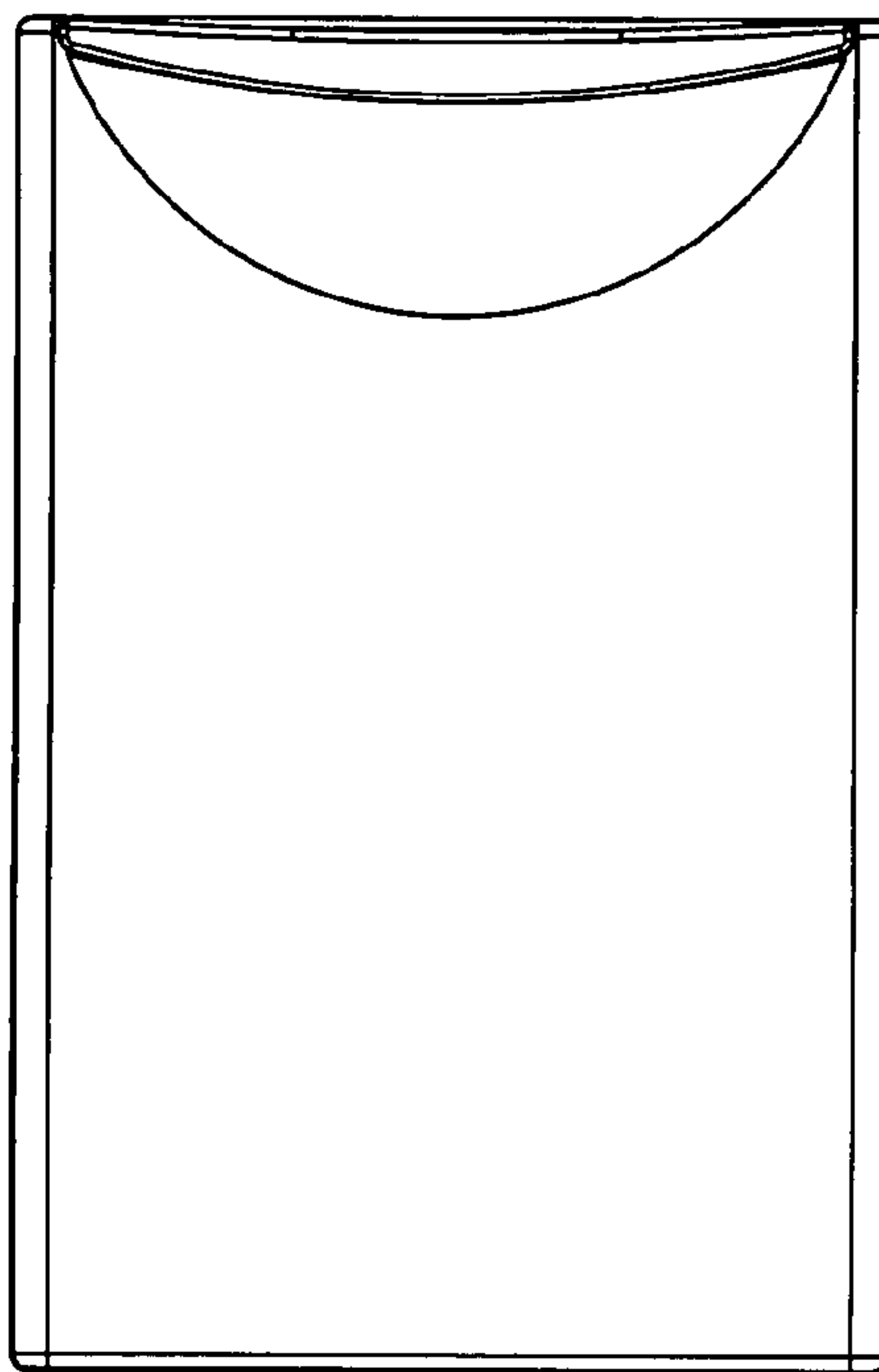


FIG. 7

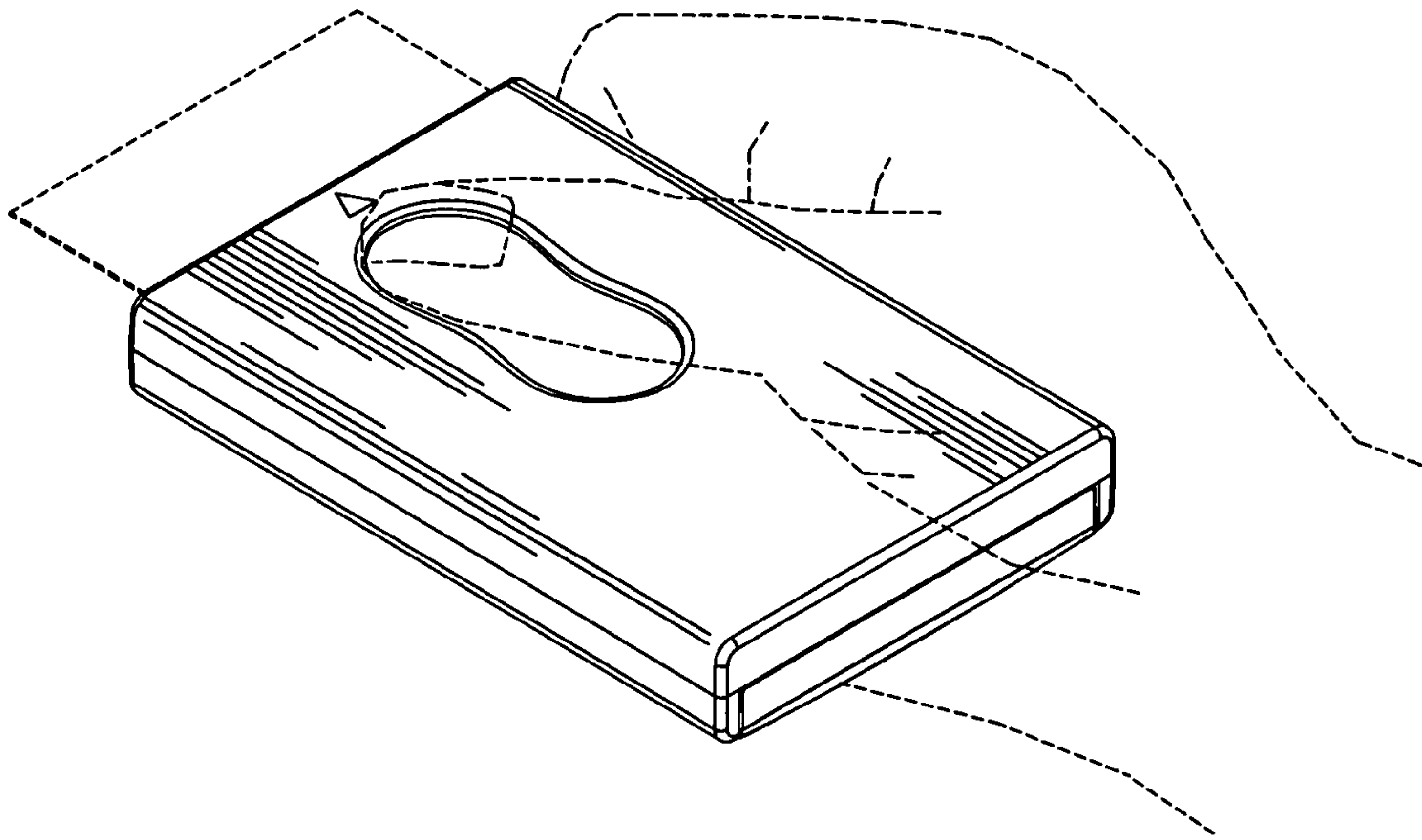


FIG.8