



US00D575488S

(12) **United States Design Patent**
Covatch

(10) **Patent No.:** **US D575,488 S**

(45) **Date of Patent:** **** Aug. 26, 2008**

(54) **HEEL FOR A SHOE**
(75) Inventor: **Charles E. Covatch**, Martinsburg, PA
(US)

(73) Assignee: **Columbia Insurance Company**,
Omaha, NE (US)

(**) Term: **14 Years**

(21) Appl. No.: **29/277,413**

(22) Filed: **Feb. 26, 2007**

(51) **LOC (8) Cl.** **02-04**

(52) **U.S. Cl.** **D2/964; D2/946**

(58) **Field of Classification Search** D2/896,
D2/908, 914, 946, 947, 948, 949, 950, 951,
D2/952, 953, 954, 955, 956, 957, 958, 959,
D2/960, 961, 965, 966, 967, 968, 969, 970,
D2/971, 964; 36/88, 89, 91, 92, 15, 12, 43,
36/69, 76 C

See application file for complete search history.

(56) **References Cited**

U.S. PATENT DOCUMENTS

D56,034 S *	8/1920	Snyder	D2/915
D60,315 S *	2/1922	Caterini	D2/967
1,974,543 A	9/1934	Reymond	12/142
2,046,217 A	6/1936	Strauss	36/72
2,079,237 A	5/1937	Allard	36/2
2,160,768 A	5/1939	Wasser	36/72
2,344,069 A	3/1944	Wasser	36/72
D137,895 S *	5/1944	Strobel	D2/968
D174,494 S *	4/1955	Ecoff	D2/964
D192,784 S *	5/1962	Bradely	D2/915

3,091,871 A	6/1963	Tronche	36/72
3,175,310 A	3/1965	MacQuaid	36/72
3,175,311 A	3/1965	MacQuaid	36/72
3,191,321 A	6/1965	Brutting	36/2.5
3,213,551 A	10/1965	Krauss	36/2.5
3,407,518 A	10/1968	MacQuaid et al.	36/72
3,525,165 A	8/1970	Randall, Jr.	36/2.5
3,561,142 A	2/1971	Streit, Sr. et al.	36/72
D223,558 S *	5/1972	Dickerson	D2/965

(Continued)

Primary Examiner—Stella M. Reid

Assistant Examiner—Elizabeth J Oswecki

(74) *Attorney, Agent, or Firm*—St. Onge Steward Johnston & Reens LLC

(57) **CLAIM**

The ornamental design for a heel for a shoe, as shown and described in the drawings.

DESCRIPTION

FIG. 1 is a back perspective view of a heel for a shoe showing my new design;

FIG. 2 is a back elevation view thereof;

FIG. 3 is a left side elevation view thereof;

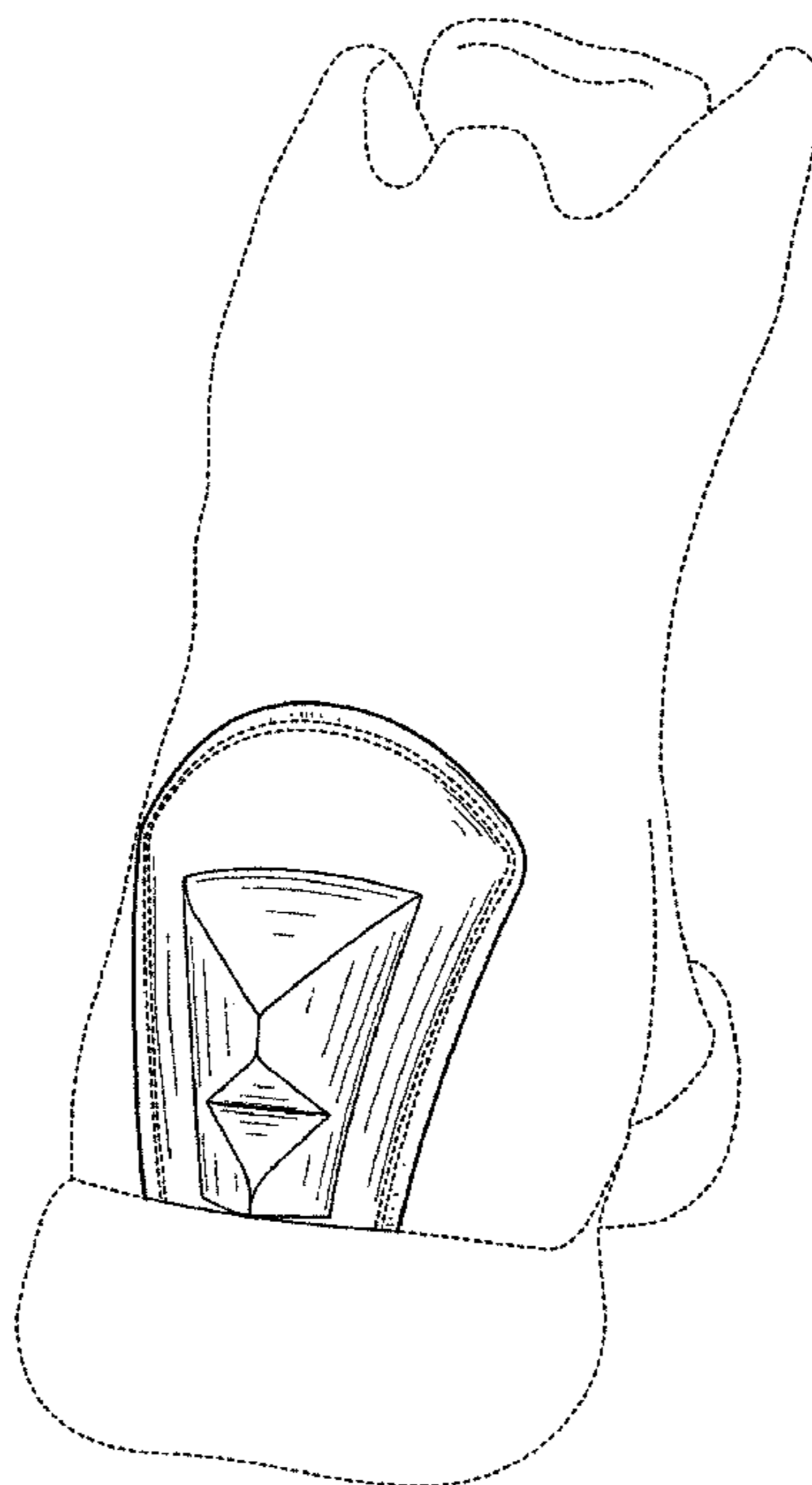
FIG. 4 is a right side elevation view thereof;

FIG. 5 is a top plan view thereof; and,

FIG. 6 is a bottom plan view thereof.

The broken line showing of a heel for a shoe is included for the purpose of illustrating only and forms no part of the claimed design.

1 Claim, 5 Drawing Sheets



U.S. PATENT DOCUMENTS

D256,518 S	8/1980	Moesle	D2/320	D384,798 S	10/1997	Gray	D2/964
4,231,170 A	11/1980	Griswold	36/72	D384,803 S *	10/1997	Avar	D2/972
4,366,629 A	1/1983	Scherz	36/4	D391,390 S *	3/1998	Pallister	D2/961
D282,122 S *	1/1986	Beck	D2/915	5,738,937 A	4/1998	Baychar	428/316.6
4,562,652 A	1/1986	Hensler	36/102	D402,449 S	12/1998	Robinson et al.	D2/951
4,908,963 A	3/1990	Krajcir et al.	36/77	D404,896 S *	2/1999	Cooper	D2/947
4,995,174 A	2/1991	Hong et al.	36/72	D430,968 S	9/2000	Carroll	D2/962
D318,563 S *	7/1991	Lucas	D2/972	6,161,315 A	12/2000	Dalton	36/134
5,048,203 A	9/1991	Kling	36/32	D441,181 S *	5/2001	Morgan	D2/972
D329,126 S *	9/1992	Hatfield	D2/972	D466,276 S *	12/2002	Tomczak	D2/964
5,185,944 A	2/1993	Okajima	36/45	D468,083 S	1/2003	Morais	D2/960
D335,953 S	6/1993	Tyng	D2/320	D483,555 S	12/2003	Robinson, Jr. et al.	D2/954
D345,453 S	3/1994	Carpenter	D2/955	D490,233 S *	5/2004	Cooper	D2/972
D358,932 S *	6/1995	Barton et al.	D3/226	D501,707 S	2/2005	Nakano	D2/959
5,499,459 A	3/1996	Tomaro	36/10	D516,282 S *	3/2006	Ozio	D2/964
D369,233 S *	4/1996	Haber et al.	D2/946	D516,783 S *	3/2006	Chu	D2/964
5,526,584 A	6/1996	Bleimhofer et al.	36/10	D533,339 S *	12/2006	Edwards	D2/972
D381,494 S	7/1997	Anderson	D2/959	D554,842 S *	11/2007	Gaenssler et al.	D2/964
D383,300 S *	9/1997	Teague	D2/972	D556,991 S *	12/2007	Gaenssler et al.	D2/964

* cited by examiner

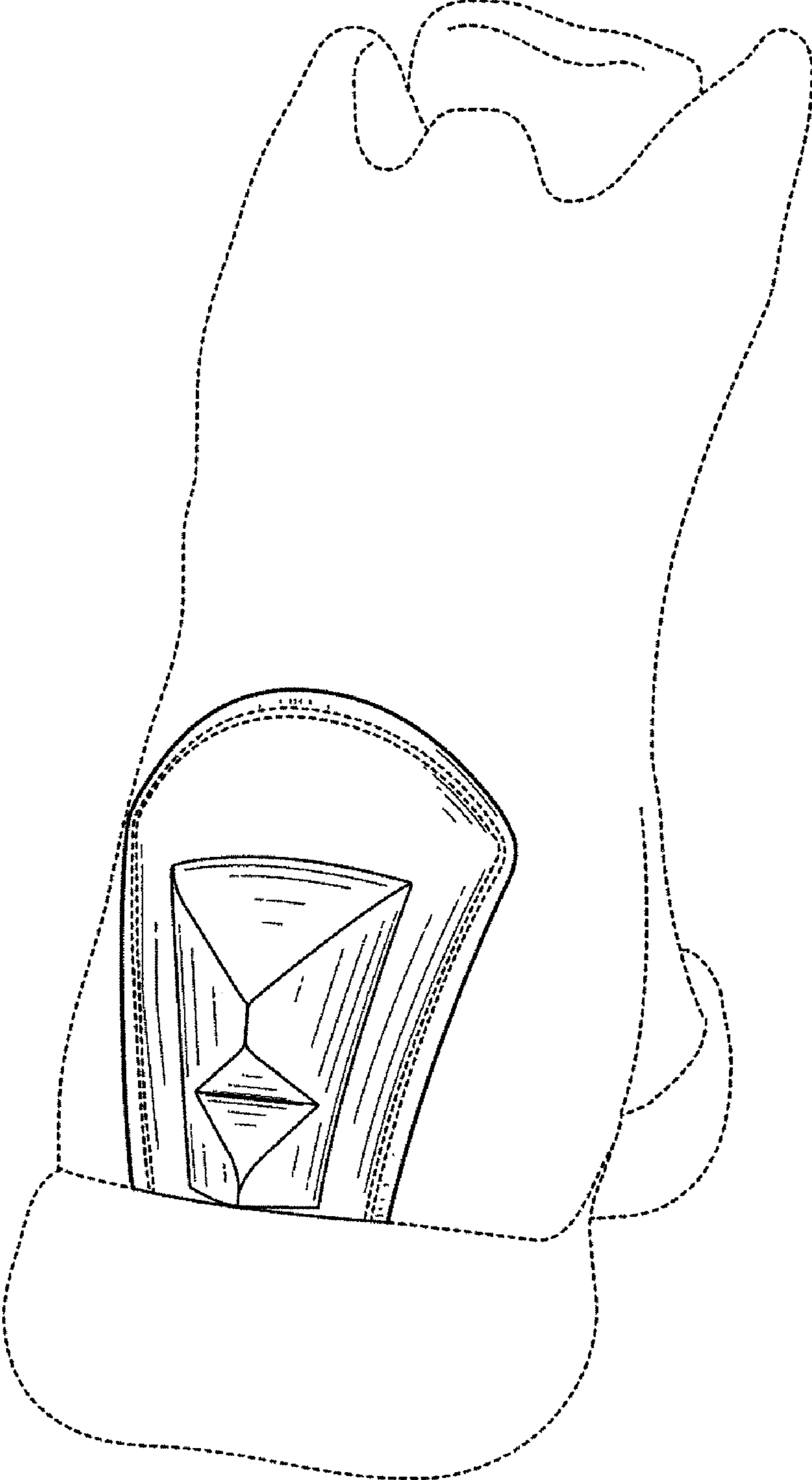


FIG. 1

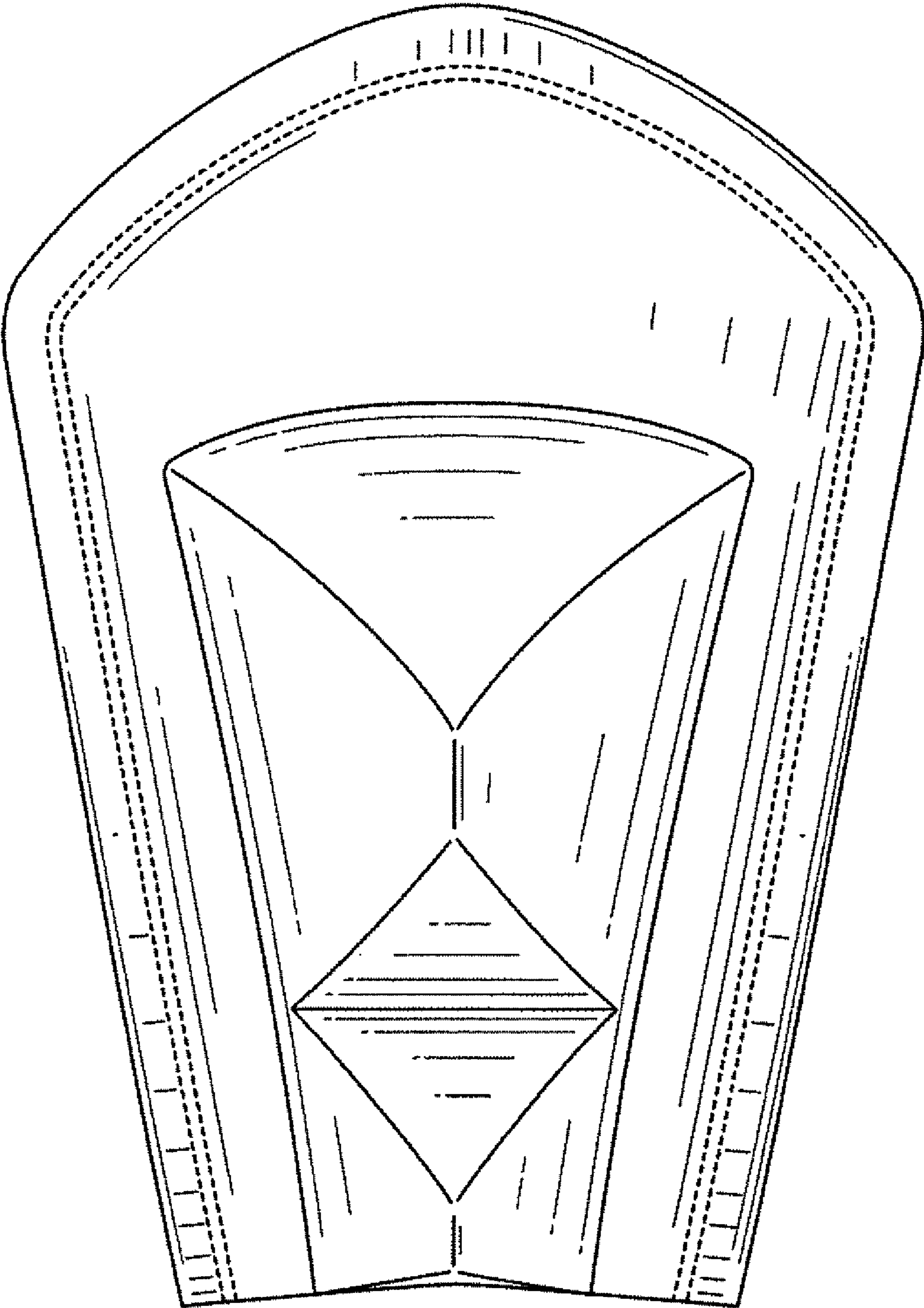


FIG. 2

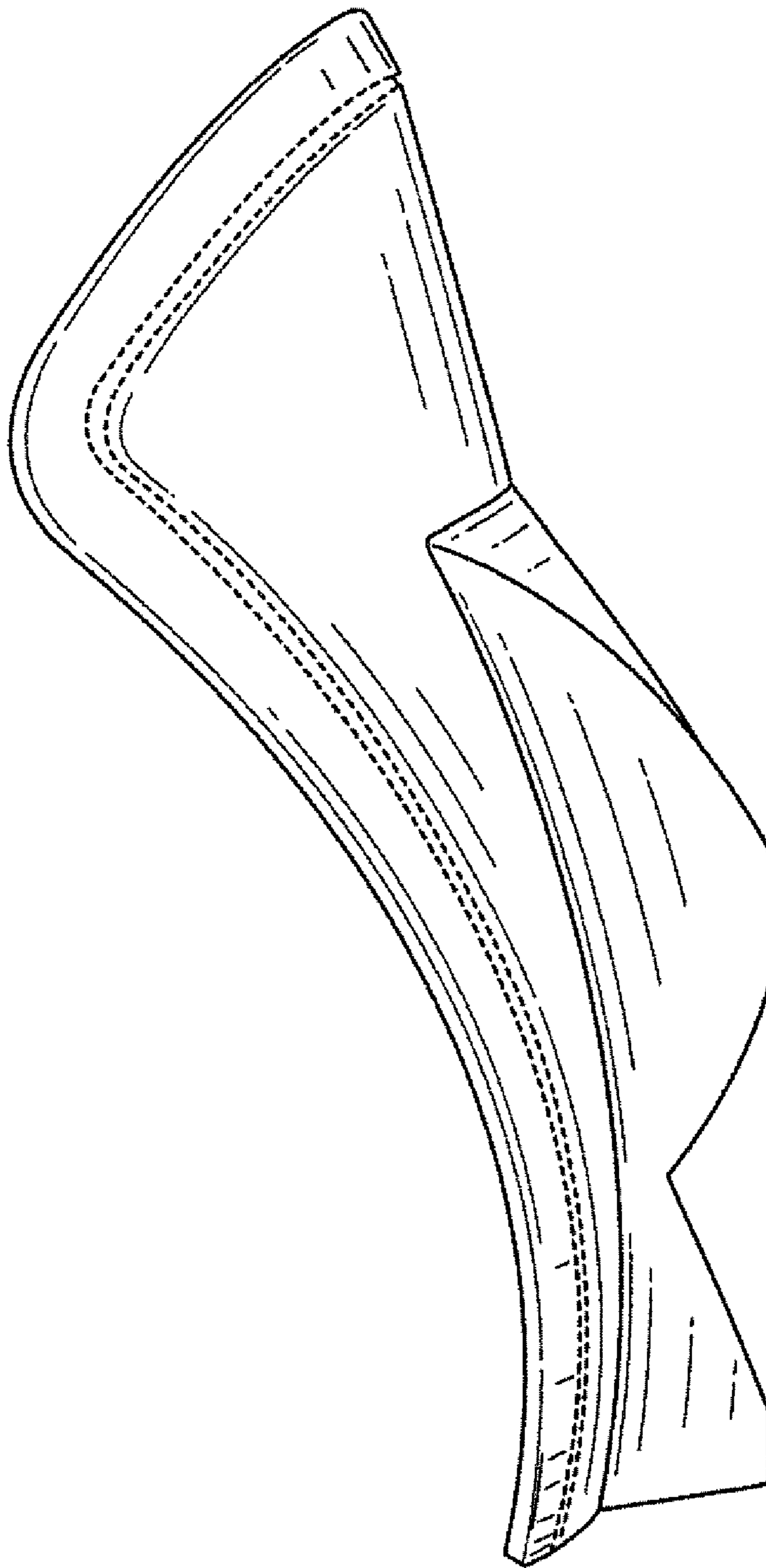


FIG. 3

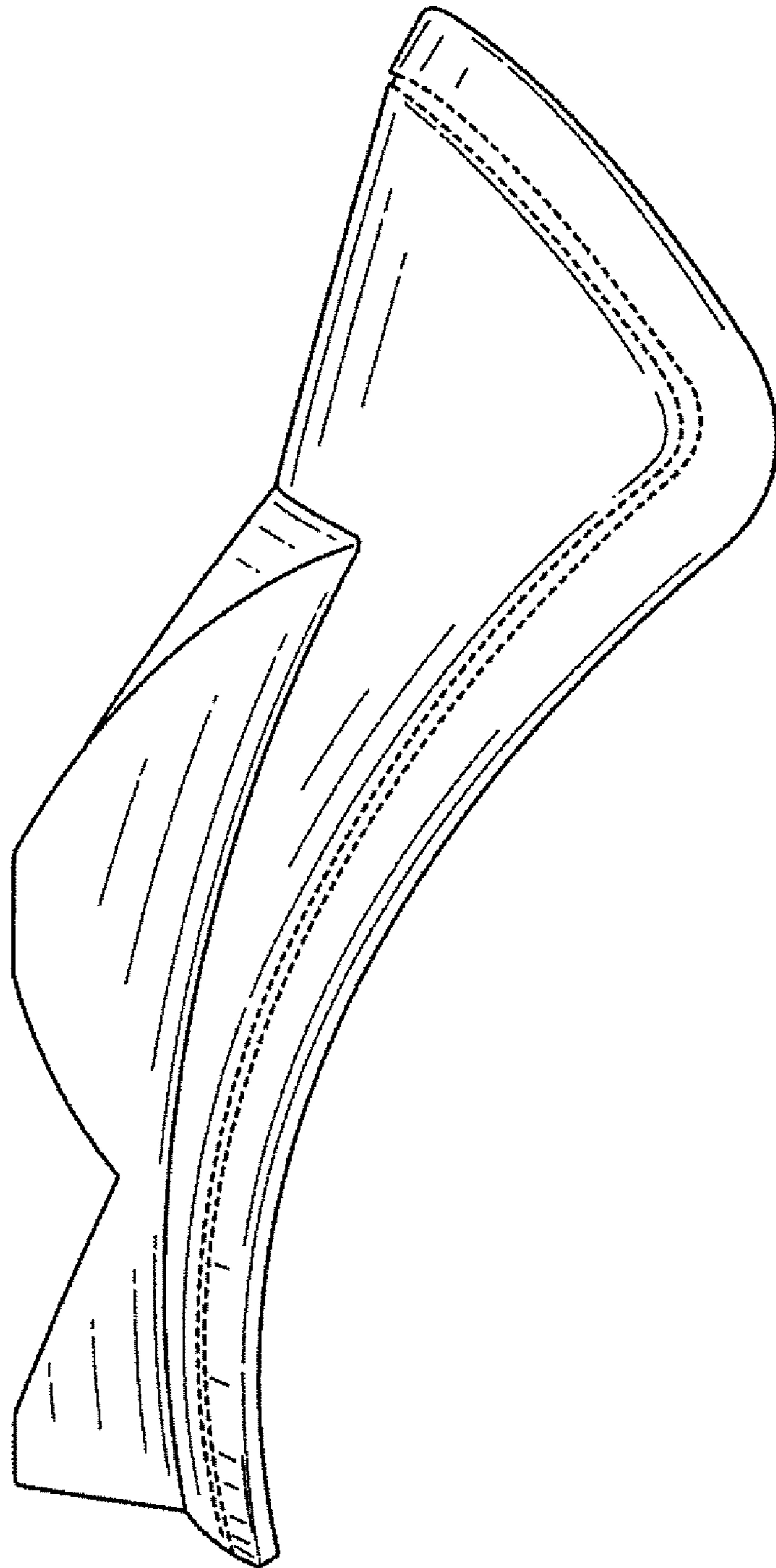


FIG. 4

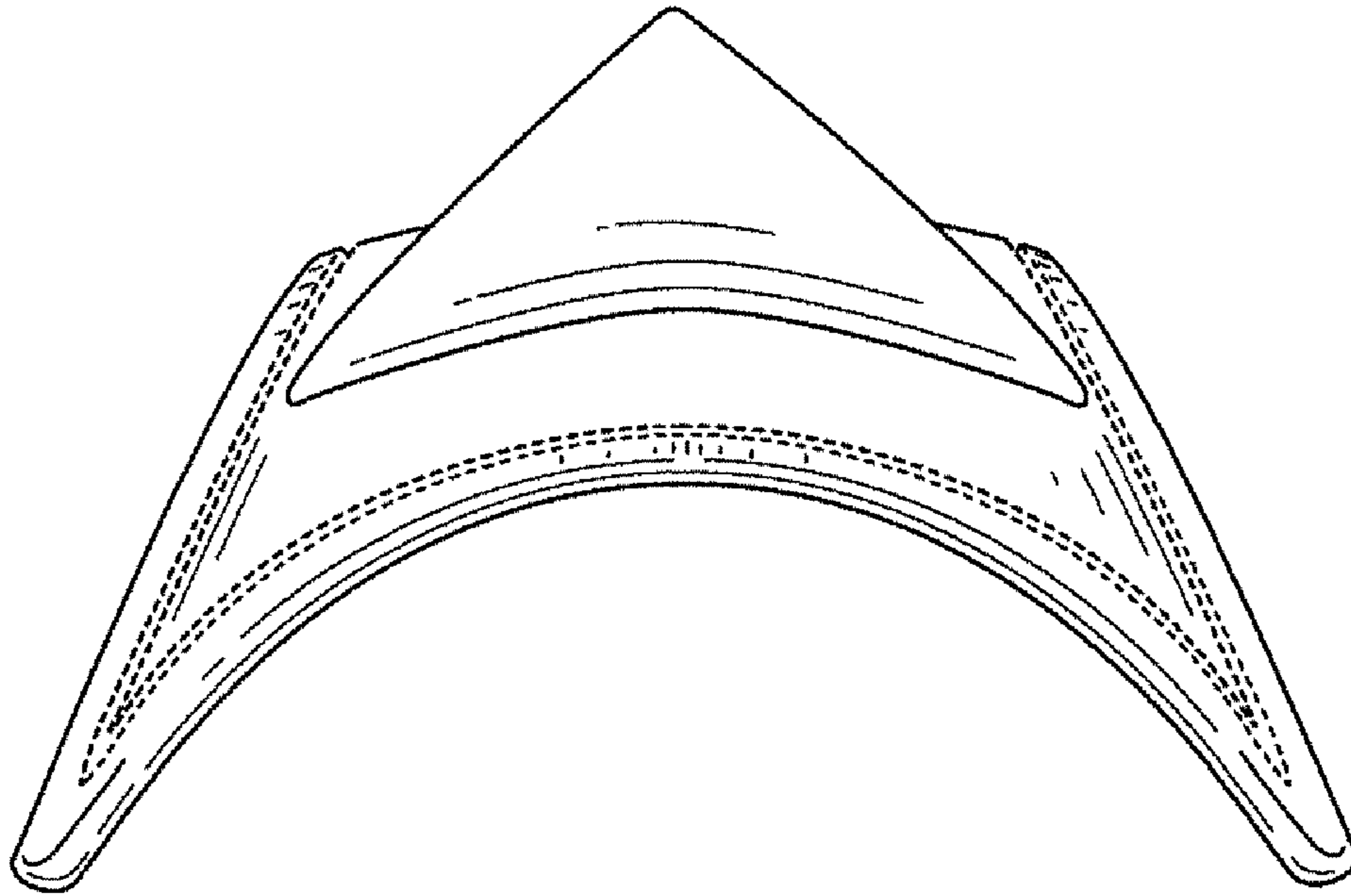


FIG. 5

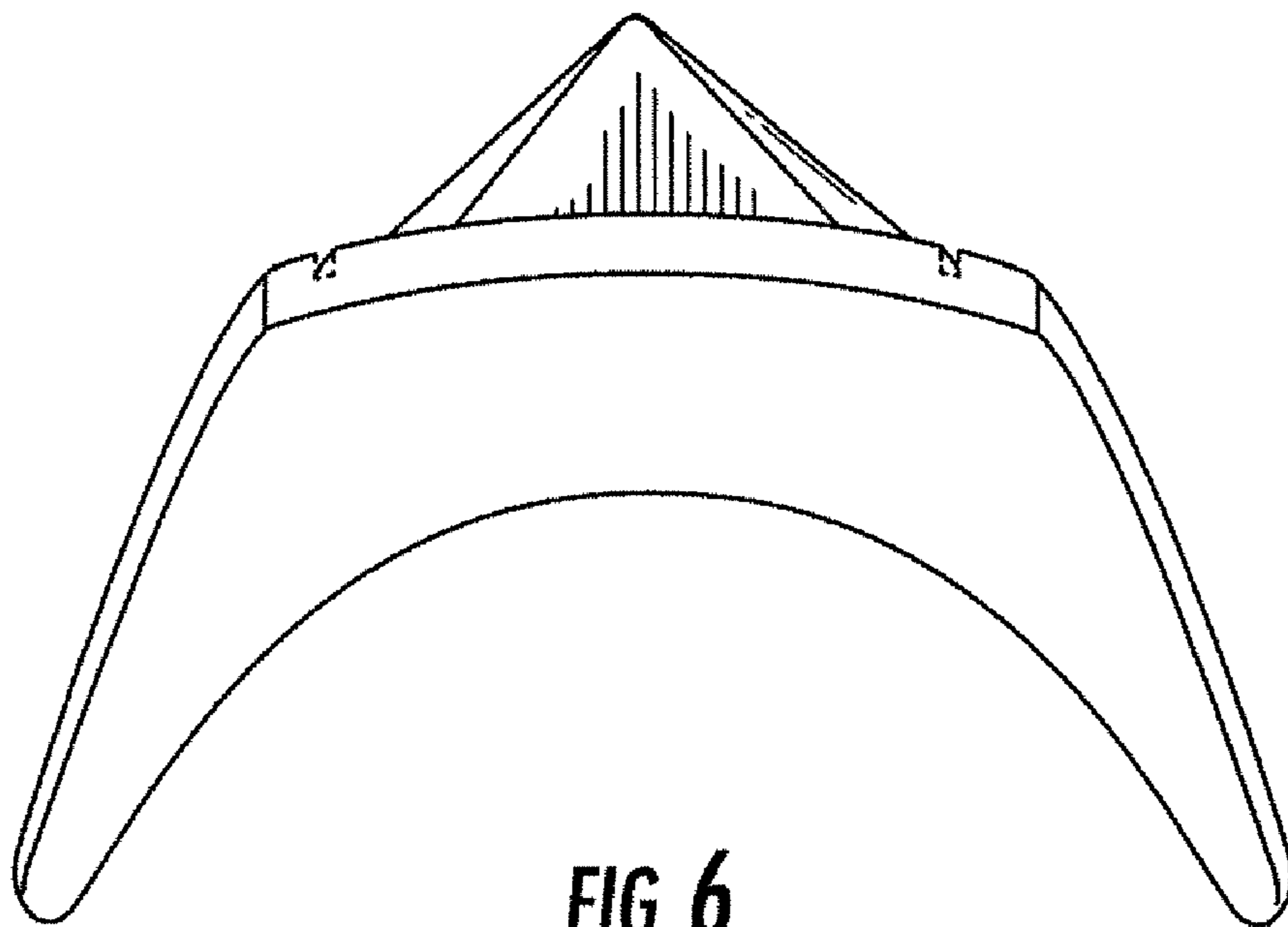


FIG. 6