



US00D575475S

(12) **United States Design Patent**
Gregory

(10) **Patent No.:** **US D575,475 S**

(45) **Date of Patent:** **** Aug. 19, 2008**

(54) **SHOT SHELL MAILBOX**

(76) **Inventor:** **Roger A. Gregory**, 20268 Huron Dr.,
Clinton Township, MI (US) 48098

(**) **Term:** **14 Years**

(21) **Appl. No.:** **29/283,134**

(22) **Filed:** **Aug. 7, 2007**

(51) **LOC (8) Cl.** **99-00**

(52) **U.S. Cl.** **D99/30**

(58) **Field of Classification Search** D99/28-33,
D99/997; 232/17, 21, 28, 33-35, 38-42,
232/43.1-43.3, 45; 70/150, 160; D8/305-307,
D8/313-320; D3/270, 272, 294; D6/510;
220/501, 830, 930

See application file for complete search history.

(56) **References Cited**

U.S. PATENT DOCUMENTS

674,147	A *	5/1901	Wirt	232/17
697,450	A *	4/1902	Corbin	232/17
851,745	A *	4/1907	Haentze	232/17
882,381	A *	3/1908	Haentze	232/17
1,122,855	A *	12/1914	Chadwick	232/35
1,690,967	A *	11/1928	Cobb	232/17
1,713,702	A *	5/1929	Konefes	232/28
RE19,340	E *	10/1934	Mooney	D99/32
2,142,901	A *	1/1939	Kellam	232/17
2,496,962	A *	2/1950	Shaw	232/34

2,781,964	A *	2/1957	Ledgerwood	232/17
D181,405	S *	11/1957	Buffington	D99/29
D362,022	S *	9/1995	Larson	D19/89
6,283,037	B1 *	9/2001	Sclafani	102/502
7,228,801	B2 *	6/2007	Dunnam et al.	102/458
D548,925	S *	8/2007	Haberman	D99/30

* cited by examiner

Primary Examiner—Robert M. Spear

Assistant Examiner—Susan E Krakower

(74) *Attorney, Agent, or Firm*—Gifford, Krass, Sprinkle,
Anderson & Citkowski, P.C.

(57) **CLAIM**

The ornamental design for shot shell mailbox, as shown and described.

DESCRIPTION

FIG. 1 is a side perspective view from the front and left;

FIG. 2 is a front view;

FIG. 3 is a rear view

FIG. 4 is a top view;

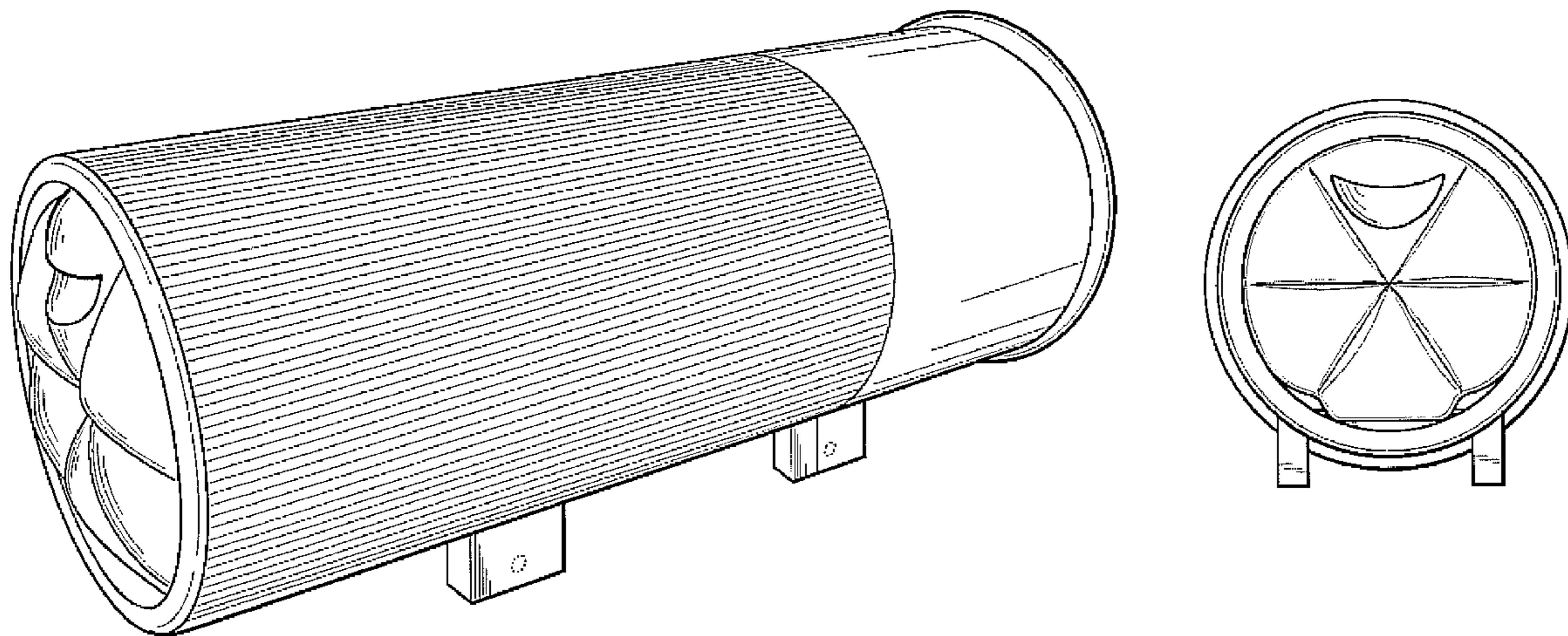
FIG. 5 is a bottom view;

FIG. 6 is a left side view; and,

FIG. 7 is a right side view.

The broken lines in the drawings depict unclaimed environmental subject matter.

1 Claim, 3 Drawing Sheets



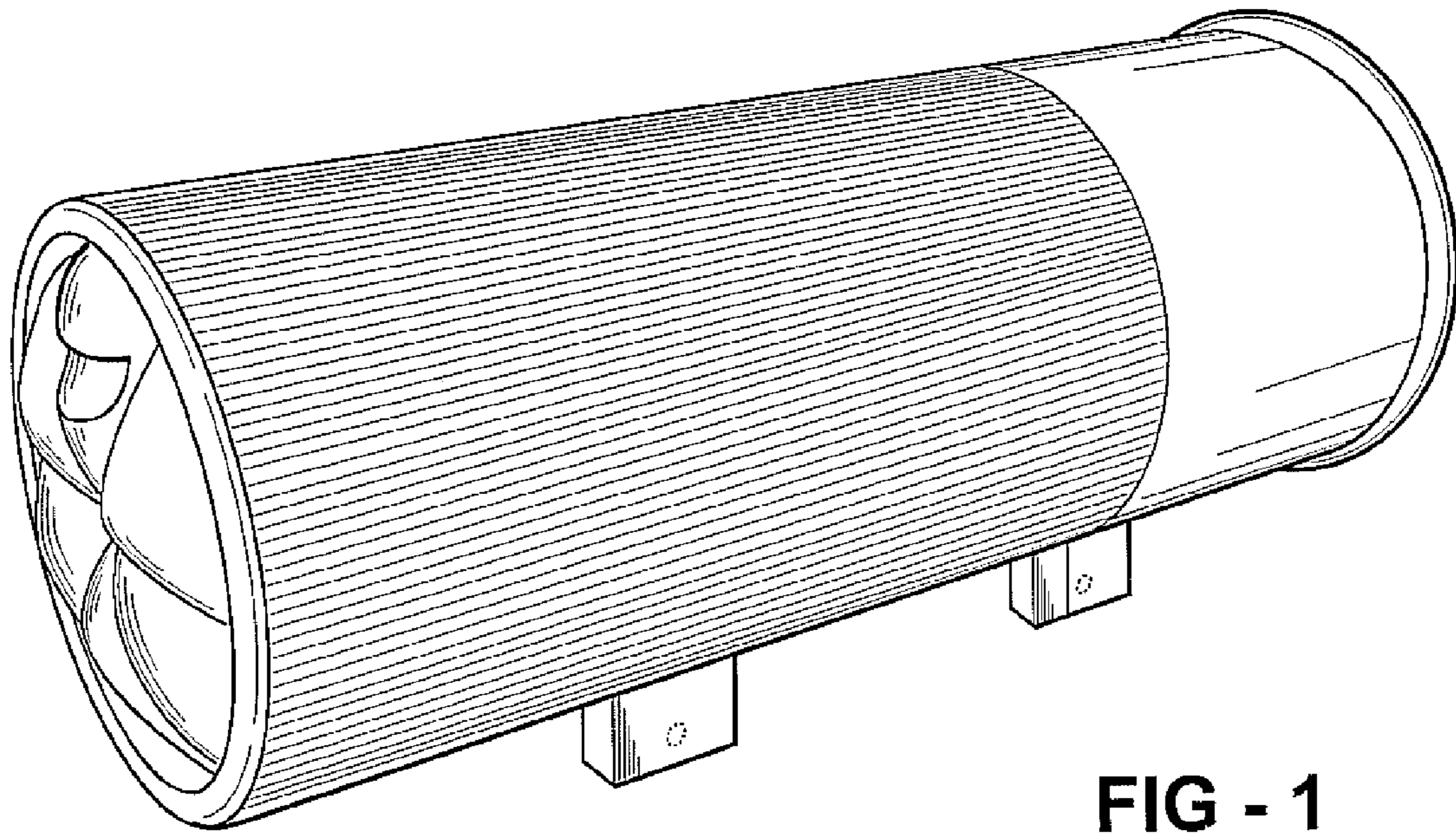


FIG - 1

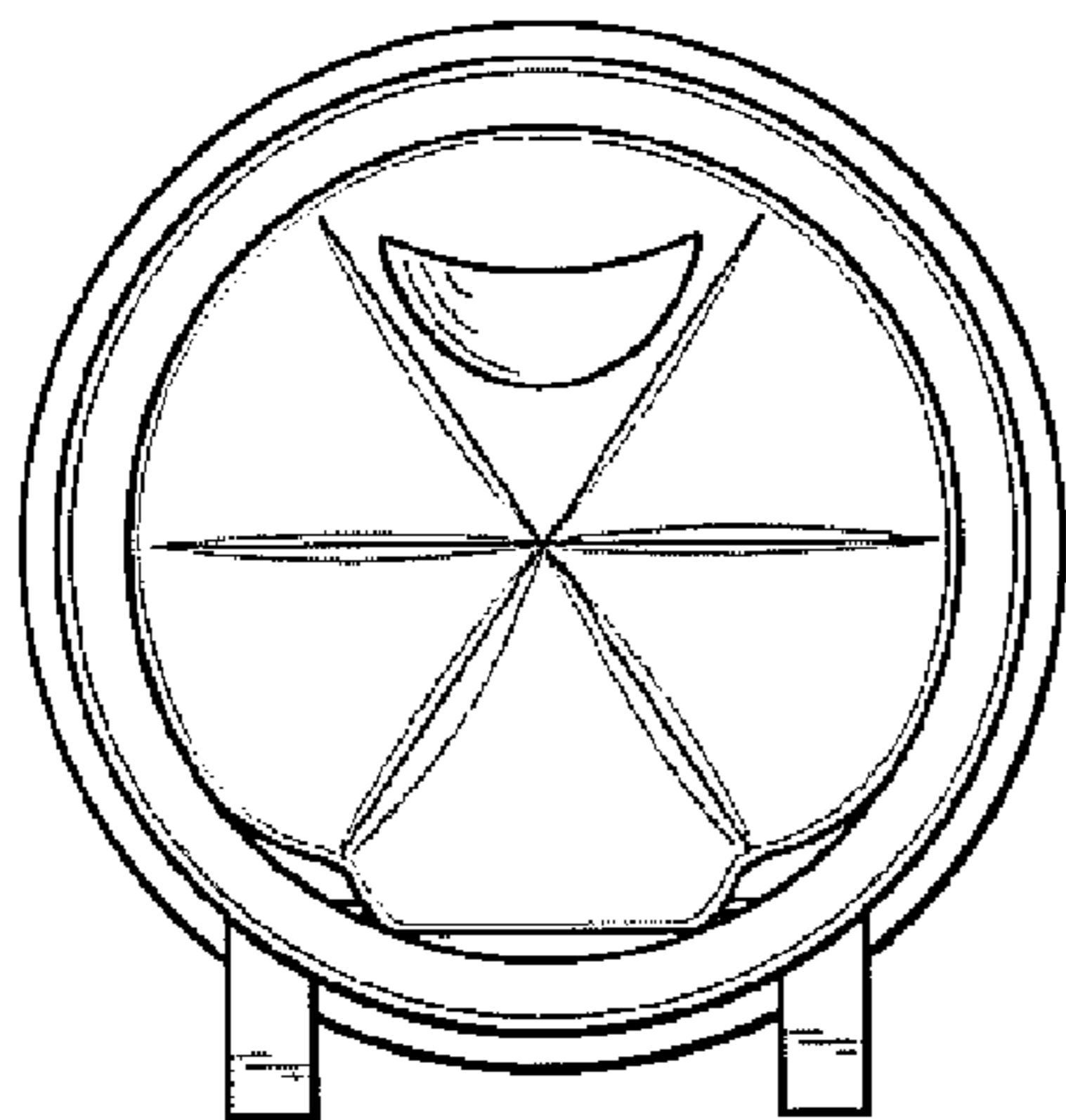


FIG - 2

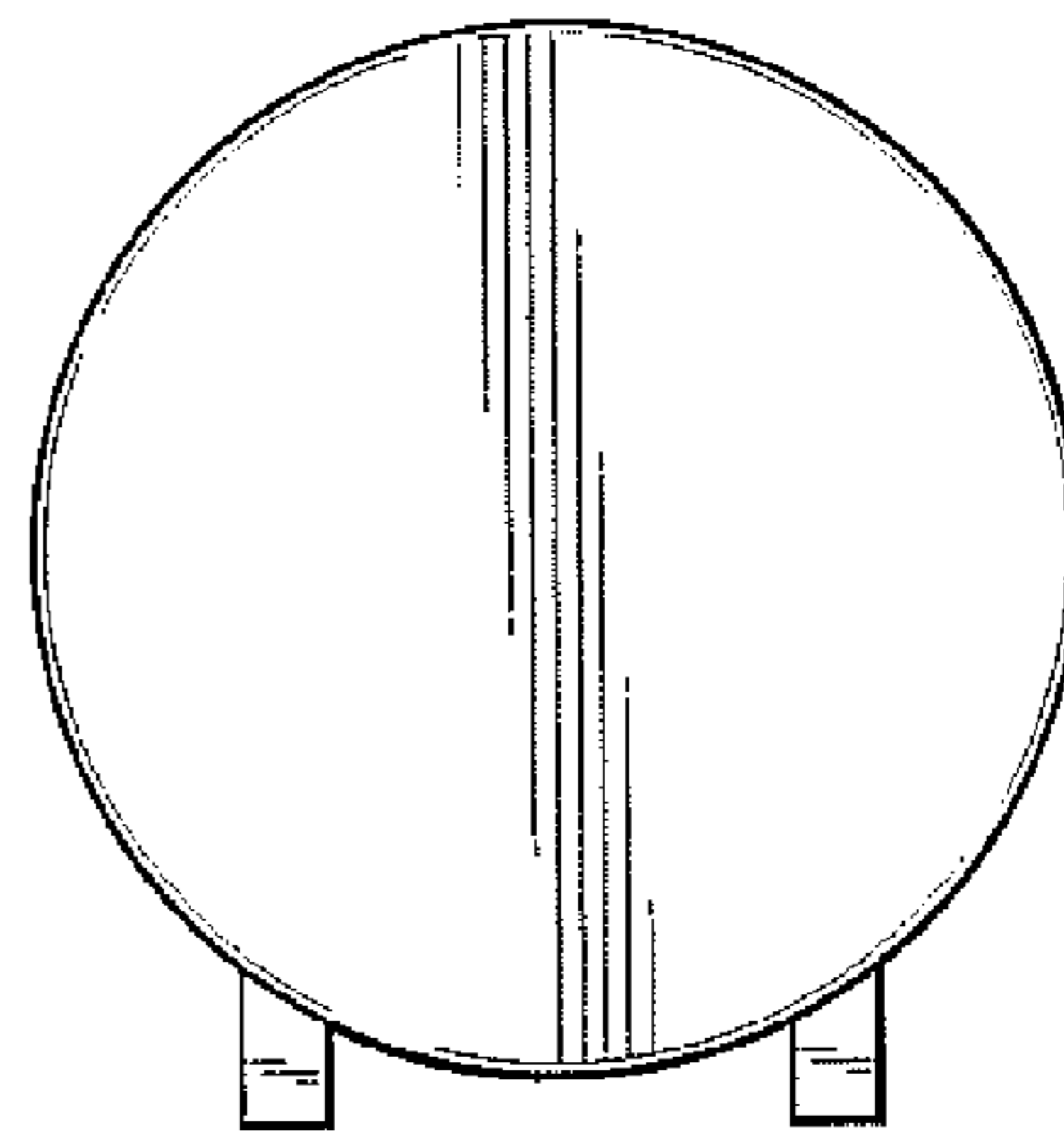


FIG - 3

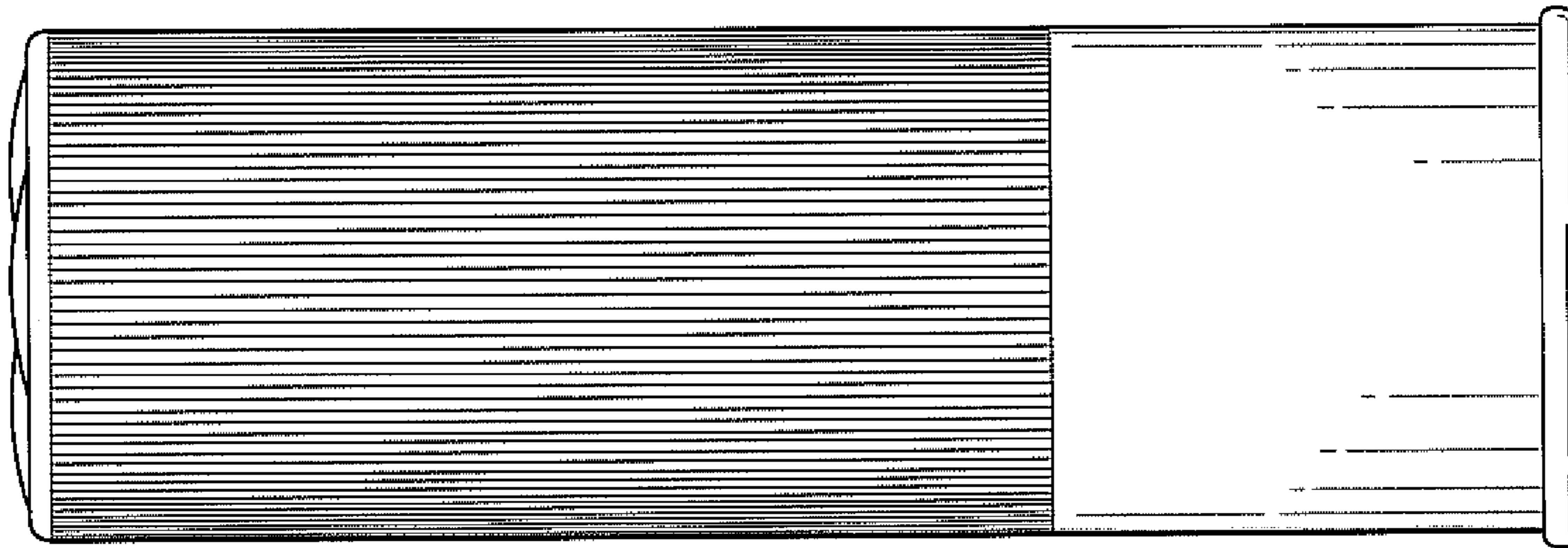


FIG - 4

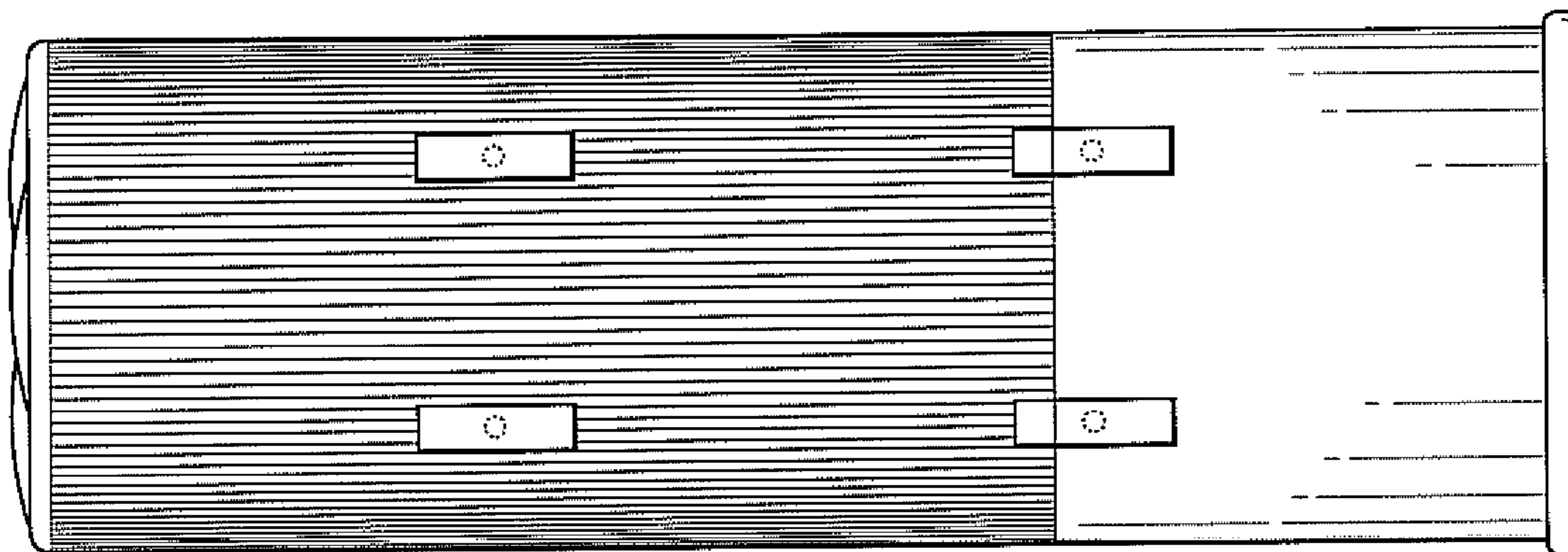


FIG - 5

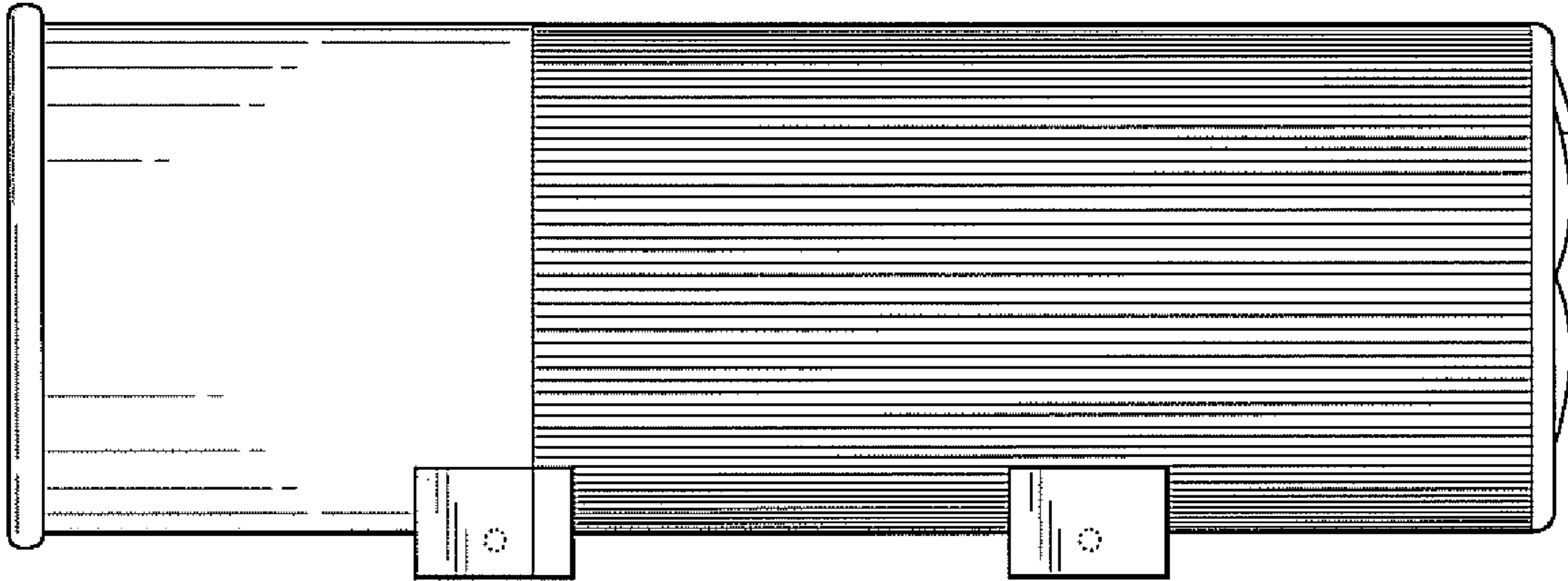


FIG - 6

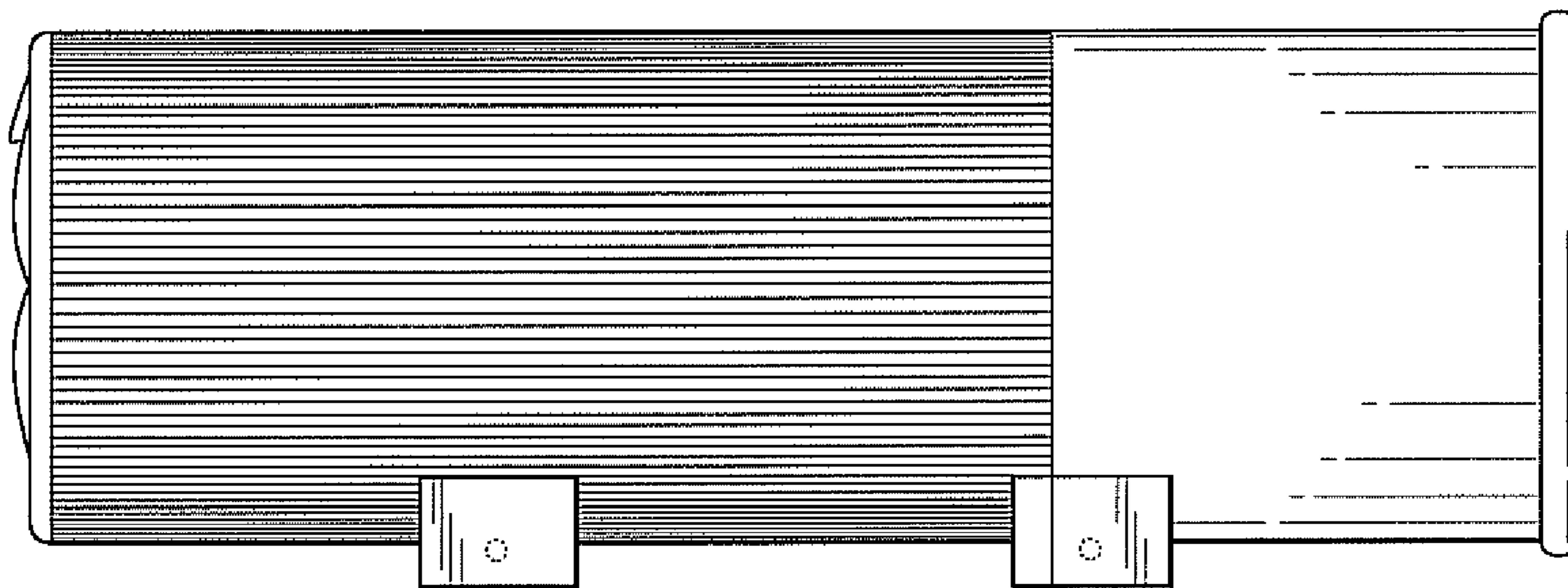


FIG - 7