



US00D575473S

(12) **United States Design Patent**
Presnell

(10) **Patent No.:** **US D575,473 S**

(45) **Date of Patent:** **** Aug. 19, 2008**

(54) **CART**

(75) **Inventor:** **Donald C. Presnell**, Stephens City, VA (US)

(73) **Assignee:** **Rubbermaid Commercial Products LLC**, Winchester, VA (US)

(**) **Term:** **14 Years**

(21) **Appl. No.:** **29/282,926**

(22) **Filed:** **Aug. 1, 2007**

(51) **LOC (8) Cl.** **12-02**

(52) **U.S. Cl.** **D34/27; D34/17**

(58) **Field of Classification Search** D34/12-27;
280/47.34, 47.35, 79.2, 79.3, 47.26, 79.5;
D6/477, 479; 220/676

See application file for complete search history.

(56) **References Cited**

U.S. PATENT DOCUMENTS

D273,242 S *	3/1984	Maza et al.	D34/21
4,743,040 A *	5/1988	Breveglieri et al.	280/47.35
D302,064 S *	7/1989	Delmerico	D34/20
D426,691 S *	6/2000	Johnson et al.	D34/21
D485,037 S *	1/2004	Presnell et al.	D34/21

D555,870 S *	11/2007	Zorzo	D34/14
D556,417 S *	11/2007	Zorzo	D34/21
2003/0122331 A1 *	7/2003	DiGiacomo et al.	280/47.35

* cited by examiner

Primary Examiner—Cynthia E Ramirez

(74) *Attorney, Agent, or Firm*—Foley & Lardner LLP

(57) **CLAIM**

The ornamental design for a cart, as shown and described.

DESCRIPTION

FIG. 1 is a top frontal perspective view of a cart according to my new design;

FIG. 2 is a front view of the cart shown in FIG. 1;

FIG. 3 is a left side view of the cart shown in FIG. 1;

FIG. 4 is a right side view of the cart shown in FIG. 1;

FIG. 5 is a top view of the cart shown in FIG. 1; and,

FIG. 6 is a bottom view of the cart shown in FIG. 1.

The ornamental design which is claimed is shown in solid lines in the drawings. The broken lines in the drawings are for illustrative purposes only and form no part of the claimed design.

1 Claim, 6 Drawing Sheets

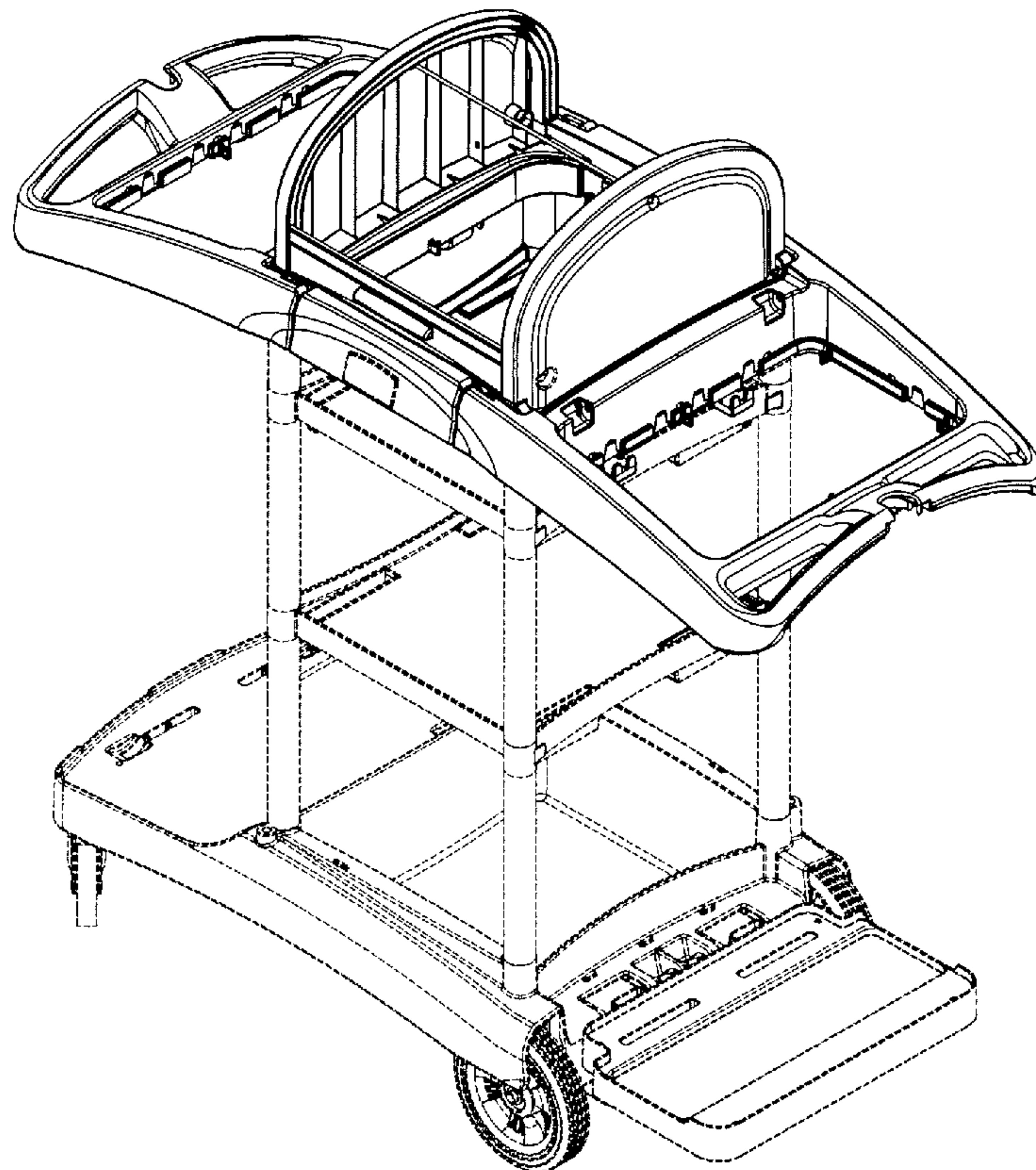


Fig. 1

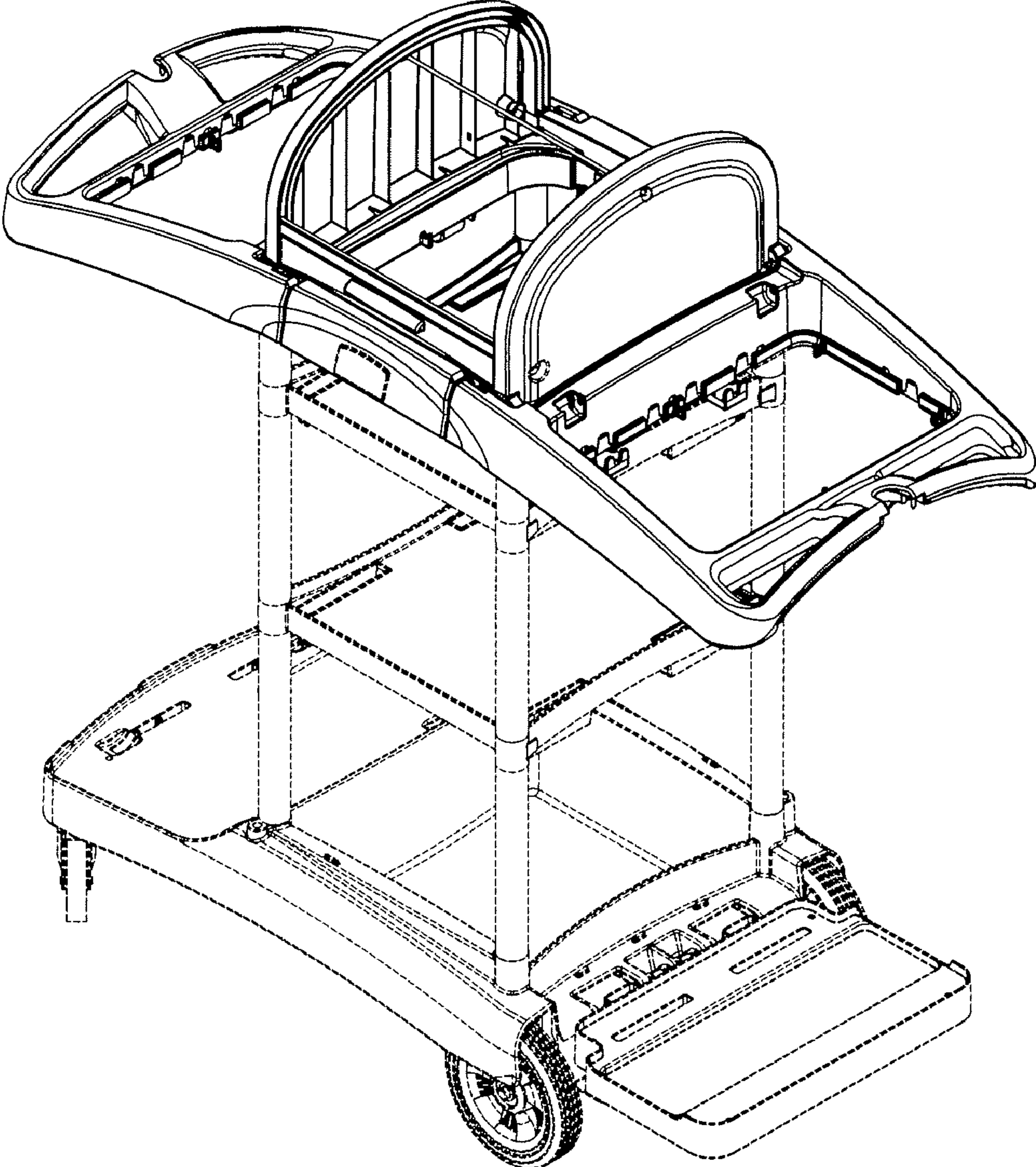


Fig. 2

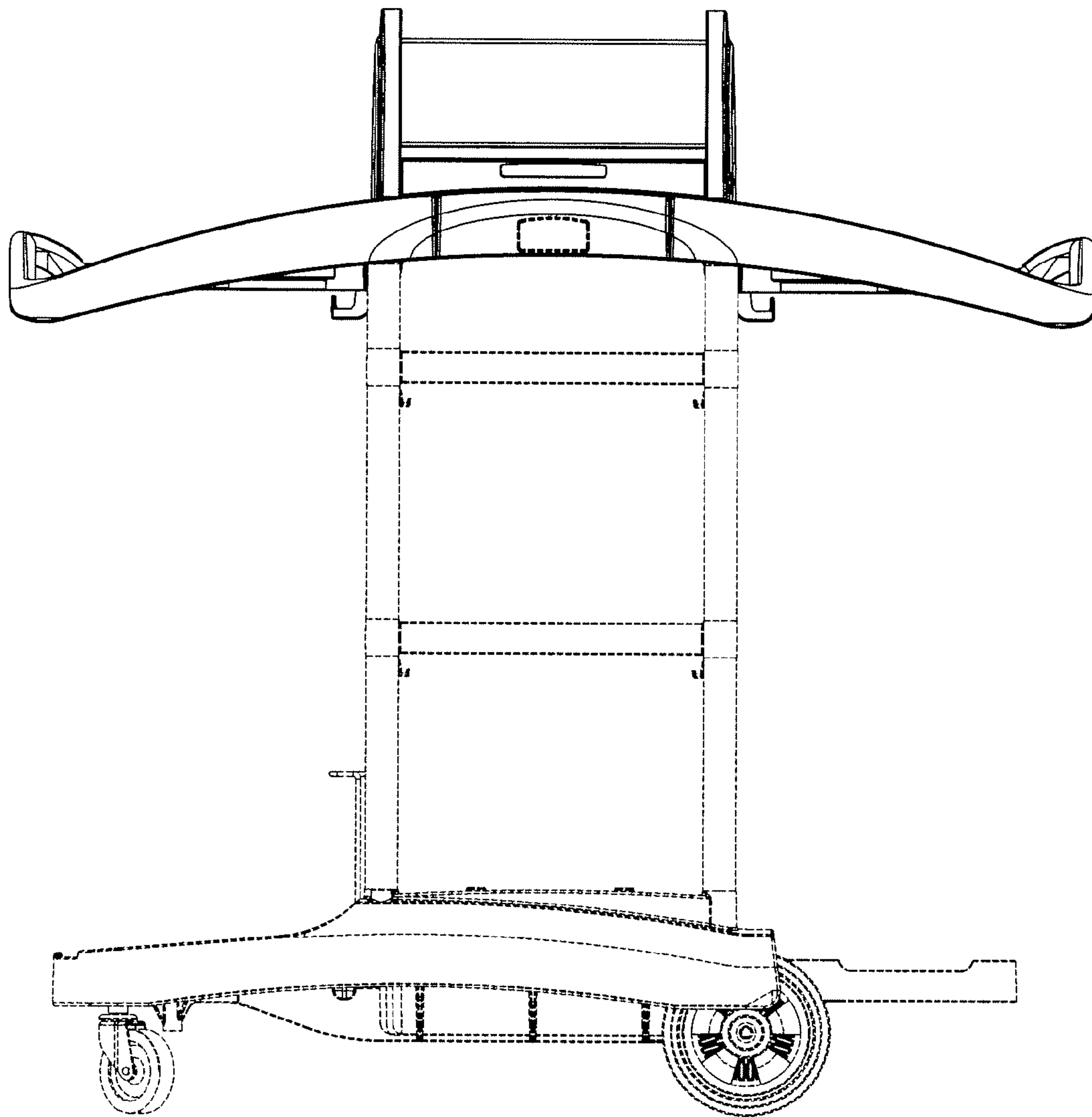


Fig. 3

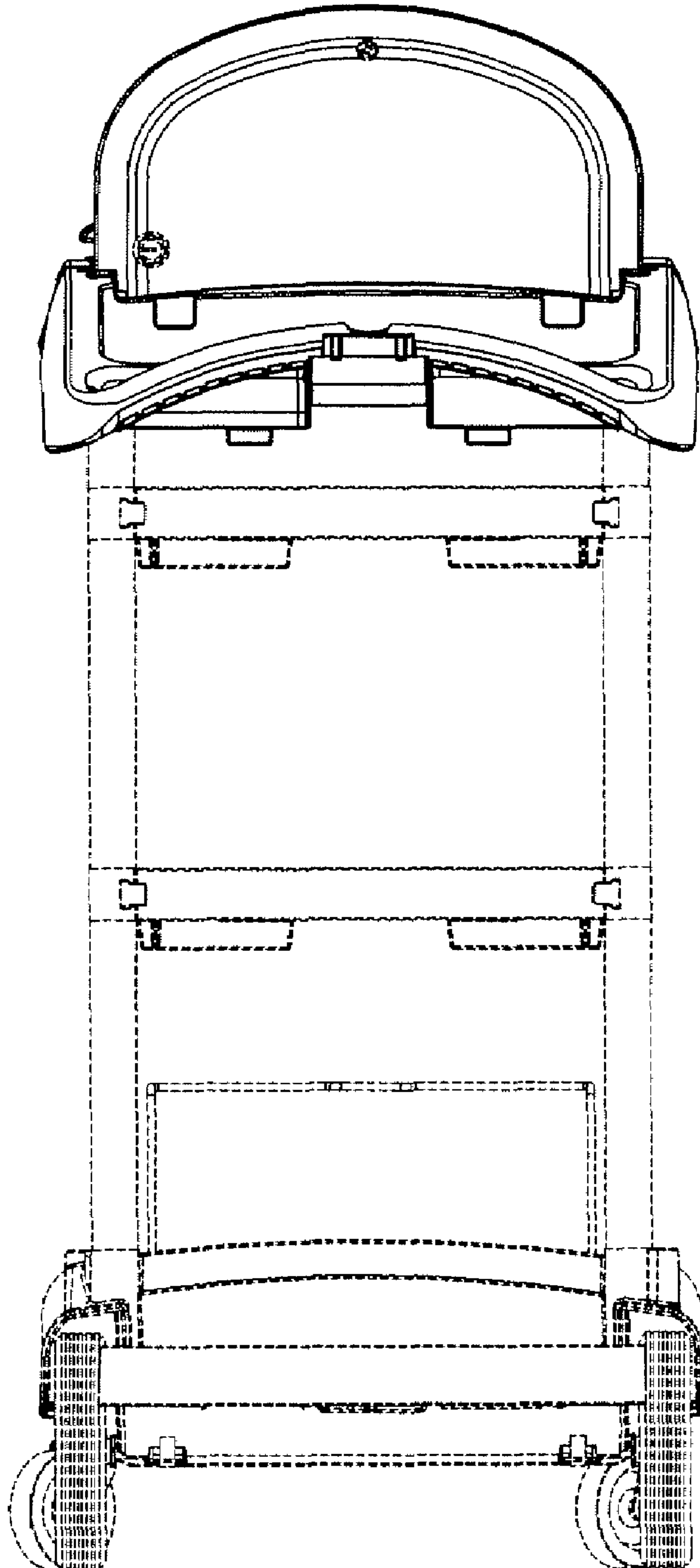


Fig. 4

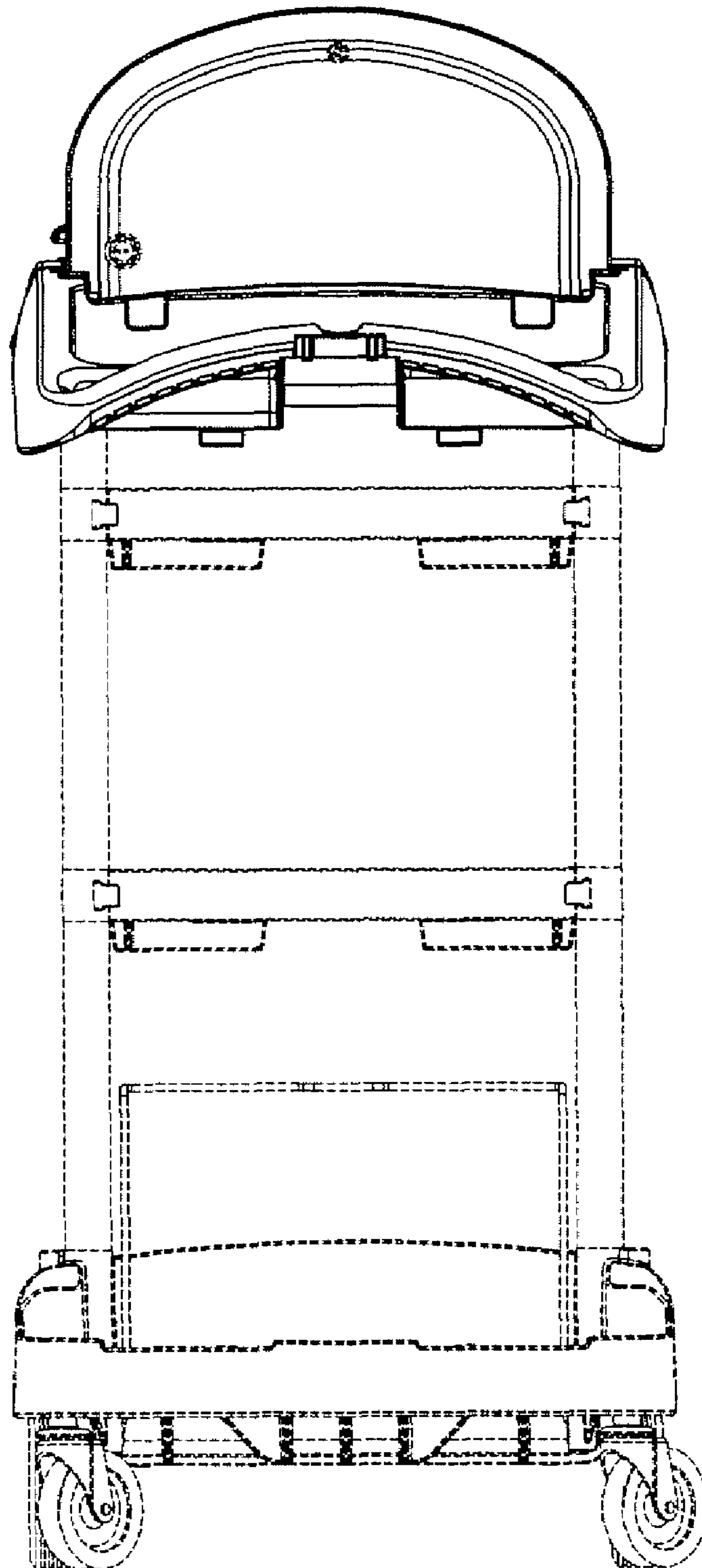


Fig. 5

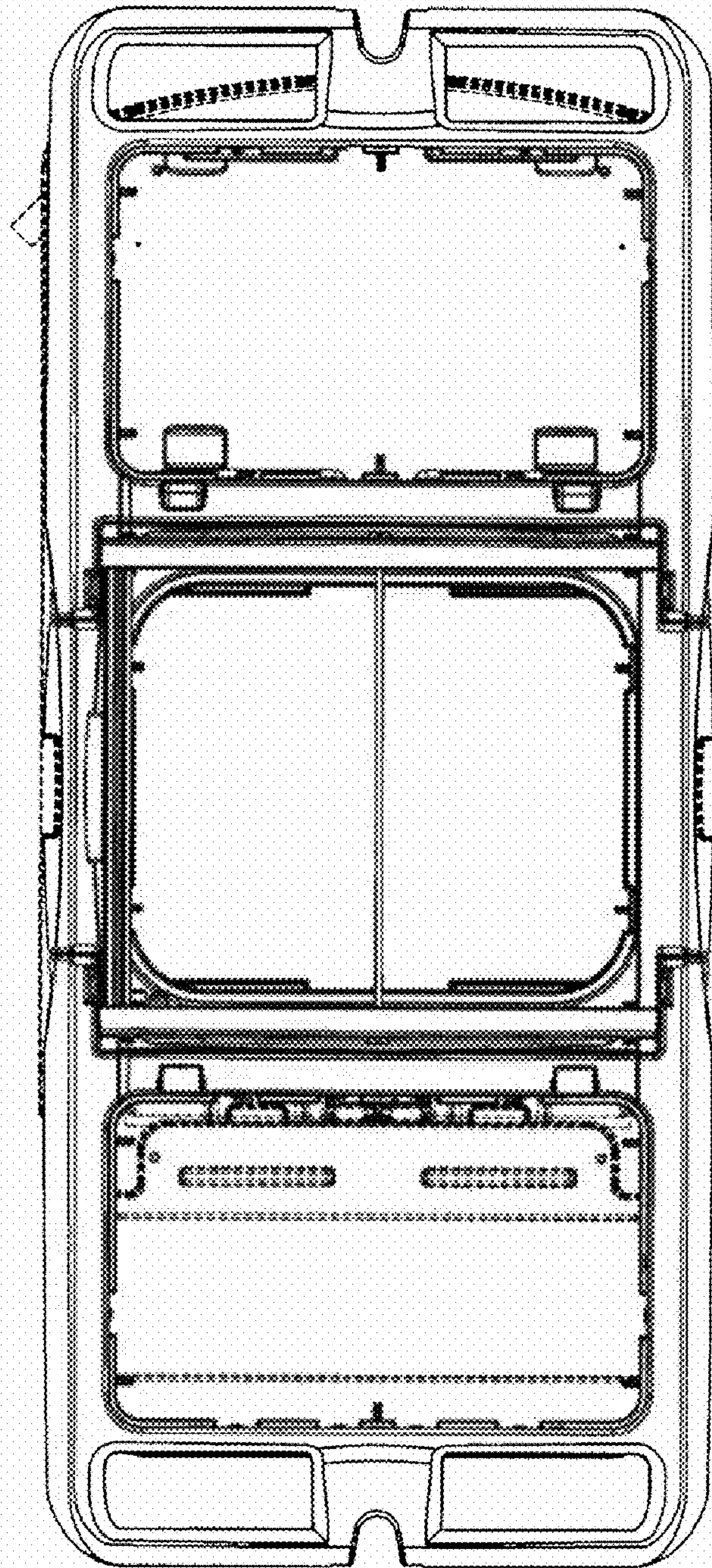


Fig. 6

