



US00D575472S

(12) **United States Design Patent**
Splain et al.

(10) **Patent No.:** **US D575,472 S**
(45) **Date of Patent:** **** Aug. 19, 2008**

(54) **SHOPPING CART**

(75) Inventors: **William D. Splain**, Brooklyn Park, MN (US); **Robert D. Peota**, Minneapolis, MN (US); **Alexandre Hennen**, Cambridge, MA (US); **Allan Cameron**, Natick, MA (US); **Mark T. Ryan**, Haskell, OK (US); **David L. Pruitt, Jr.**, Brookland, AR (US)

(73) Assignee: **Target Brands, Inc.**, Minneapolis, MN (US)

(**) Term: **14 Years**

(21) Appl. No.: **29/280,573**

(22) Filed: **May 31, 2007**

Related U.S. Application Data

(63) Continuation of application No. 29/271,229, filed on Jan. 12, 2007, now Pat. No. Des. 546,021, which is a continuation of application No. 29/267,189, filed on Oct. 6, 2006, now Pat. No. Des. 540,998, which is a continuation of application No. 29/238,739, filed on Sep. 19, 2005, now Pat. No. Des. 530,478.

(51) **LOC (8) Cl.** **12-02**
(52) **U.S. Cl.** **D34/27**
(58) **Field of Classification Search** D34/17,
D34/21, 27

See application file for complete search history.

(56) **References Cited**

U.S. PATENT DOCUMENTS

2,479,530 A 8/1949 Watson
D155,971 S 11/1949 Concklin
D156,701 S 1/1950 Concklin
D156,702 S 1/1950 Concklin

(Continued)

FOREIGN PATENT DOCUMENTS

EP 0 161 108 3/1985

(Continued)

OTHER PUBLICATIONS

Plastic shopping cart web page, IPT, Inc., available at http://www.inplastech.com/Products_EX11575WM_LG.asp; printed out Jan. 24, 2006. (2 pages).

(Continued)

Primary Examiner—Freda S. Nunn

Assistant Examiner—Kevin K Rudzinski

(74) *Attorney, Agent, or Firm*—Faegre & Benson LLP

(57) **CLAIM**

The ornamental design for a shopping cart, as shown and described.

DESCRIPTION

FIG. 1 is an isometric view of a shopping cart, with elements in dashed lines forming no part of the claimed design.

FIG. 2 is a front view of a shopping cart, with elements in dashed lines forming no part of the claimed design and a dashed box identifying a portion of the shopping cart illustrated in FIG. 3.

FIG. 3 is an enlarged front view of a portion of the shopping cart shown in the dashed box of FIG. 2, with elements in dashed lines forming no part of the claimed design.

FIG. 4 is a rear view of a shopping cart, with elements in dashed lines forming no part of the claimed design.

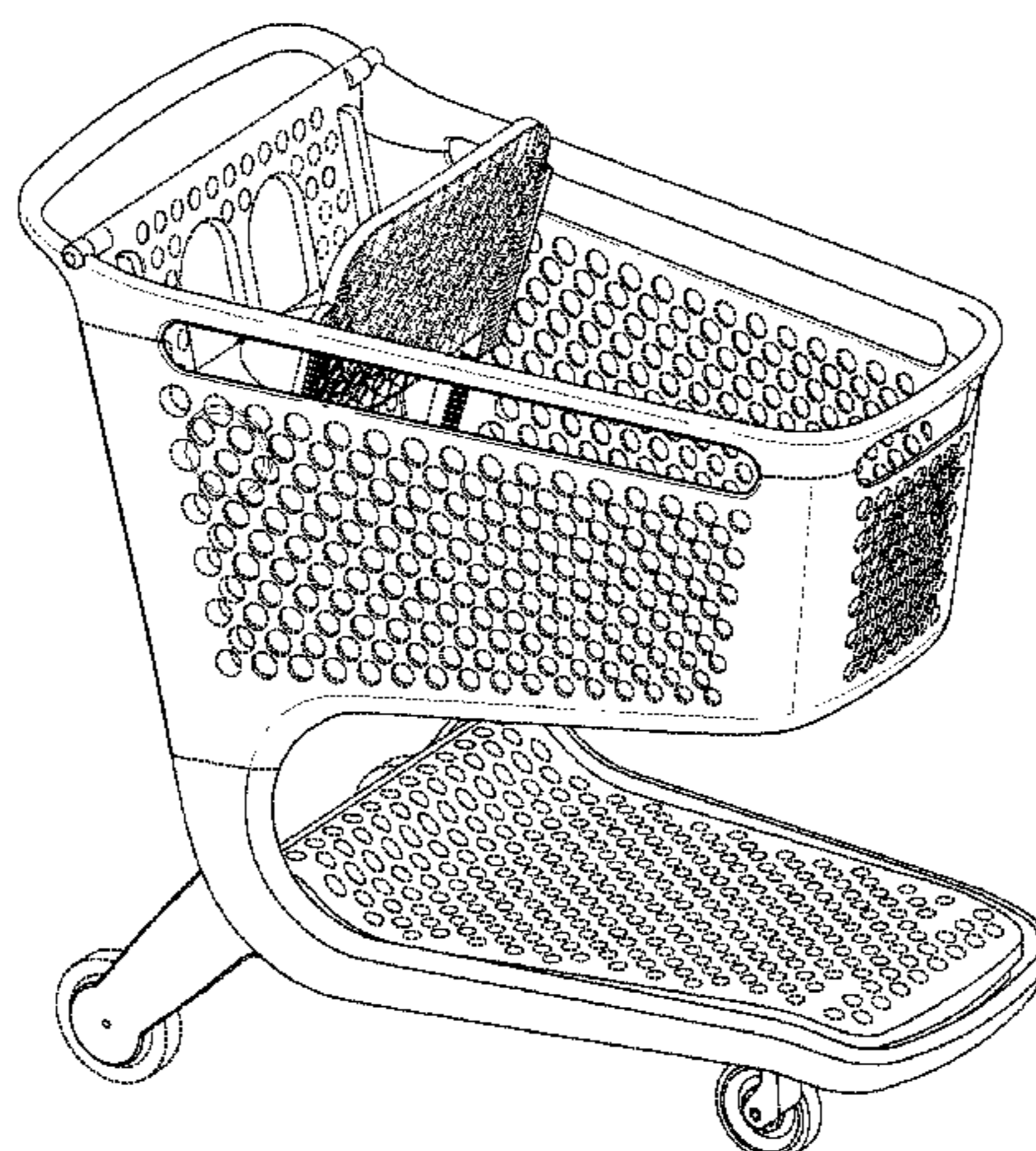
FIG. 5 is a right side view of a shopping cart, with elements in dashed lines forming no part of the claimed design.

FIG. 6 is a top view of a shopping cart, with elements in dashed lines forming no part of the claimed design.

FIG. 7 is a bottom view of a shopping cart, with elements in dashed lines forming no part of the claimed design; and,

FIG. 8 is a left side view of a shopping cart, with elements in dashed lines forming no part of the claimed design.

1 Claim, 8 Drawing Sheets



U.S. PATENT DOCUMENTS

D157,589 S 3/1950 Hartenbach
 2,527,953 A 10/1950 Muffley
 2,860,886 A 11/1958 Schweitzer
 2,891,801 A 6/1959 Sides
 2,906,542 A 9/1959 Hoedinghaus et al.
 D188,841 S 9/1960 Umanoff
 2,958,536 A 11/1960 Young
 2,997,311 A 8/1961 Umanoff
 3,048,420 A 8/1962 Umanoff
 3,112,934 A 12/1963 Buczak
 D198,448 S 6/1964 Moran
 3,195,912 A 7/1965 Howard et al.
 3,245,717 A 4/1966 Levy
 3,346,271 A 10/1967 Parsons
 3,419,182 A * 12/1968 Gildart 220/643
 3,614,133 A 10/1971 Ganci et al.
 3,622,037 A * 11/1971 Gildart 220/643
 3,645,554 A 2/1972 Von Stein et al.
 3,717,358 A 2/1973 Mills
 D231,336 S 4/1974 Wahl
 3,829,114 A 8/1974 Cohen et al.
 3,931,984 A 1/1976 Young
 3,999,774 A 12/1976 Rehrig
 4,034,539 A 7/1977 Economy
 4,046,394 A 9/1977 Thompson et al.
 D247,953 S 5/1978 Rehrig
 4,123,077 A 10/1978 Joseph
 4,139,098 A 2/1979 Mollon
 4,268,049 A 5/1981 Salvador
 4,273,346 A 6/1981 Rehrig
 4,286,795 A 9/1981 Rehrig
 4,376,502 A 3/1983 Cohen
 4,478,344 A 10/1984 Rehrig
 D277,532 S 2/1985 Duhamel
 4,537,413 A 8/1985 Rehrig
 4,555,123 A 11/1985 Rehrig
 D283,264 S 4/1986 Levy-Joseph
 4,632,411 A 12/1986 Badger
 4,650,199 A 3/1987 Rehrig
 D294,419 S 2/1988 Rehrig
 4,746,134 A 5/1988 Rehrig
 D296,259 S 6/1988 Rehrig
 4,865,338 A 9/1989 Rehrig
 4,922,639 A 5/1990 Rehrig
 4,930,795 A 6/1990 Tannehill et al.
 D311,081 S * 10/1990 Evenson et al. D34/23
 D311,983 S 11/1990 Rehrig
 D314,269 S 1/1991 Trubiano
 5,004,252 A 4/1991 Kraper
 D317,219 S 5/1991 Rehrig
 D326,550 S 5/1992 Waterman
 5,111,604 A 5/1992 Rehrig
 5,203,578 A 4/1993 Davidson et al.
 5,210,968 A 5/1993 Rehrig
 5,238,256 A 8/1993 Ondrasik
 5,255,930 A 10/1993 Jones et al.
 D343,711 S 1/1994 Craft et al.
 5,277,473 A 1/1994 Kelly et al.
 5,289,936 A 3/1994 Jones et al.
 D346,473 S * 4/1994 Hubble D34/19
 5,331,756 A 7/1994 Rehrig
 5,368,318 A 11/1994 Rehrig et al.
 D359,828 S 6/1995 Lindberg
 5,441,288 A 8/1995 Rehrig
 5,458,347 A 10/1995 Chiv
 D364,961 S 12/1995 Rehrig
 5,494,308 A 2/1996 Southerland
 5,553,877 A 9/1996 Huang
 D377,255 S 1/1997 Rehrig
 5,595,394 A 1/1997 Adamson
 5,613,696 A 3/1997 de Luna

D379,834 S 6/1997 Huang
 D382,999 S 9/1997 Rehrig
 D384,815 S 10/1997 Rehrig
 D400,679 S 11/1998 Kern et al.
 5,836,596 A * 11/1998 Wanzl 280/33.991
 5,865,448 A 2/1999 Kern et al.
 5,871,286 A 2/1999 Kern et al.
 D408,953 S * 4/1999 Golichowski et al. D34/21
 D411,264 S 6/1999 Huang
 5,915,704 A 6/1999 Segura de Luna
 D412,046 S 7/1999 Rehrig et al.
 5,947,313 A 9/1999 Kern et al.
 5,961,133 A 10/1999 Perry
 6,029,380 A 2/2000 Goddard
 D426,365 S 6/2000 Rehrig et al.
 6,155,580 A 12/2000 Symons
 6,186,382 B1 2/2001 Bergin et al.
 D443,968 S 6/2001 Porter
 D444,281 S 6/2001 Gaze et al.
 D445,230 S 7/2001 Deal et al.
 D445,231 S 7/2001 Porter
 6,270,093 B1 8/2001 Johnson et al.
 D463,647 S 9/2002 Deal et al.
 D466,301 S 12/2002 Sofy
 D468,880 S 1/2003 Porter
 D470,292 S 2/2003 Johnson et al.
 6,540,240 B2 4/2003 Nadeau et al.
 6,572,122 B2 6/2003 Johnson et al.
 6,589,458 B2 7/2003 DeCost
 6,669,212 B2 12/2003 Porter
 6,705,623 B2 3/2004 Nadeau et al.
 6,736,415 B1 5/2004 Lenihan
 6,749,204 B2 6/2004 Werner
 6,761,364 B2 7/2004 Murar et al.
 6,805,365 B2 10/2004 Lantz
 6,926,291 B1 8/2005 Ondrasik
 6,966,566 B2 11/2005 Duchene et al.
 6,981,708 B1 1/2006 Tucker et al.
 6,983,944 B2 1/2006 Bergia
 D530,478 S 10/2006 Splain et al.
 D536,874 S 2/2007 Splain et al.
 D538,501 S 3/2007 Walter
 D540,998 S 4/2007 Splain et al.
 D546,021 S 7/2007 Splain et al.
 7,237,782 B2 7/2007 Tucker et al.
 D556,413 S 11/2007 Splain et al.
 2002/0135144 A1 9/2002 Murar et al.
 2003/0116933 A1 6/2003 Nadeau et al.
 2003/0151217 A1 8/2003 Trubiano
 2004/0046341 A1 3/2004 Wilkinson
 2004/0104549 A1 6/2004 Bergia
 2006/0049591 A1 3/2006 Pennell

FOREIGN PATENT DOCUMENTS

EP 0 161 890 3/1985
 WO WO 93/02903 2/1993
 WO WO 93/11018 6/1993
 WO WO 95/03201 2/1995
 WO WO 96/04161 2/1996
 WO WO 97/30880 8/1997

OTHER PUBLICATIONS

The Supercart Hyper Trolley web page, Supercart, available at <http://www.supercart.com/supercart/page.asp?Section ID=2&Page ID=3>; printed out May 13, 2005. (1 page).
 The Supercart Mid Size Supercart Trolley web page, Supercart, available at <http://www.supercart.com/supercart/page.asp?SectionID=2&PageID=4>; printed out May 13, 2005. (1 page).
 The Supercart Grocer Trolley web page, Supercart, available at <http://www.supercart.com/supercart/page.asp?SectionID=2&PageID=5>; printed out May 13, 2005 (1 page).

The Full Size all-plastic Supercart trolley web page, Supercart, available at <http://www.supercart.com/supercart/page.asp?SectionID=2&PageID=6>; printed out May 13, 2005 (2 pages).

Photo of Cart Icon from Greeley, Colorado, icon on public display 2nd Quarter 2004.

Photos (pp. 2) of SuperCart Shopping Trolley at Euroshop Tradeshow in Dusseldorf, Germany in Feb. 19-23, 2005.

ARRK Prototype Brochure (pp. 2) documenting Supercart Trolley display in Feb. 19-23, 2005.

Photo A of Handbasket on display at Euroshop Tradeshow in Dusseldorf, Germany in Feb. 19-23, 2005.

Photo B of Handbasket on display at Euroshop Tradeshow in Dusseldorf, Germany in Feb. 19-23, 2005.

Pending U.S. Appl. No. 11/231,283, inventor Peota et al., filed Sep. 19, 2005.

Pending U.S. Appl. No. 11/231,307, inventor Splain et al., filed Sep. 19, 2005.

Pending U.S. Appl. No. 11/231,313, inventor Splain et al., filed Sep. 19, 2005.

Pending U.S. Appl. No. 11/231,343, inventor Splain et al., filed Sep. 19, 2005.

Pending U.S. Appl. No. 11/231,344, inventor Splain et al., filed Sep. 19, 2005.

Pending U.S. Appl. No. 11/231,364, inventor Splain et al., filed Sep. 19, 2005.

Pending U.S. Appl. No. 29/280,442, inventor Splain et al., filed May 29, 2007.

Pending U.S. Appl. No. 29/269,260, inventor Splain et al., filed Nov. 27, 2006.

Pending U.S. Appl. No. 29/264,725, inventor Splain et al., filed Aug. 16, 2006.

U.S. Appl. No. 11/595,037, filed Nov. 9, 2006, and entitled "Seat Assembly for a Shopping Cart".

U.S. Appl. No. 29/296,975, filed Oct. 31, 2007, and entitled "Shopping Cart".

US 5,201,134, 04/1993, Rehrig et al. (withdrawn)

* cited by examiner

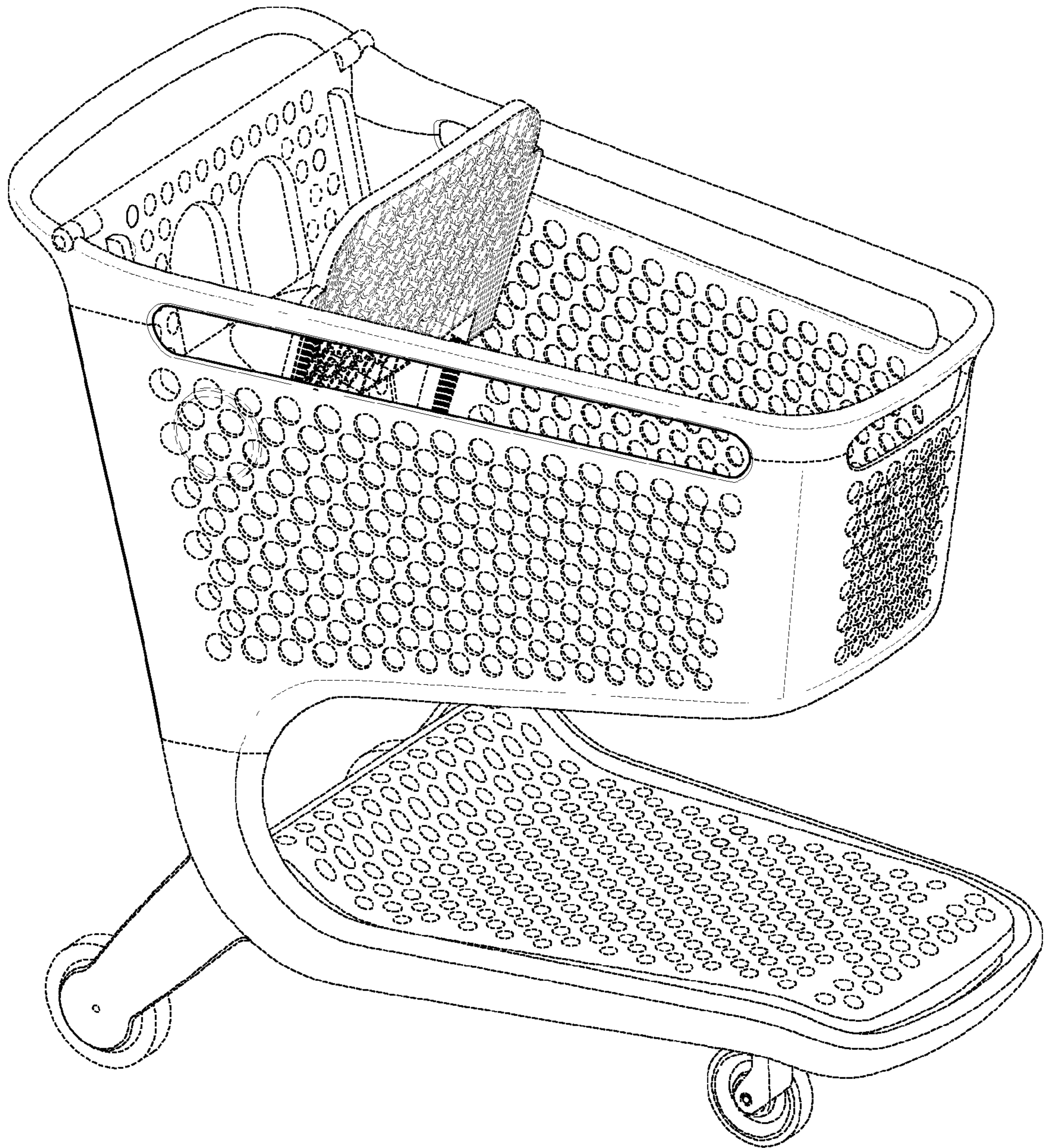


Fig. 1

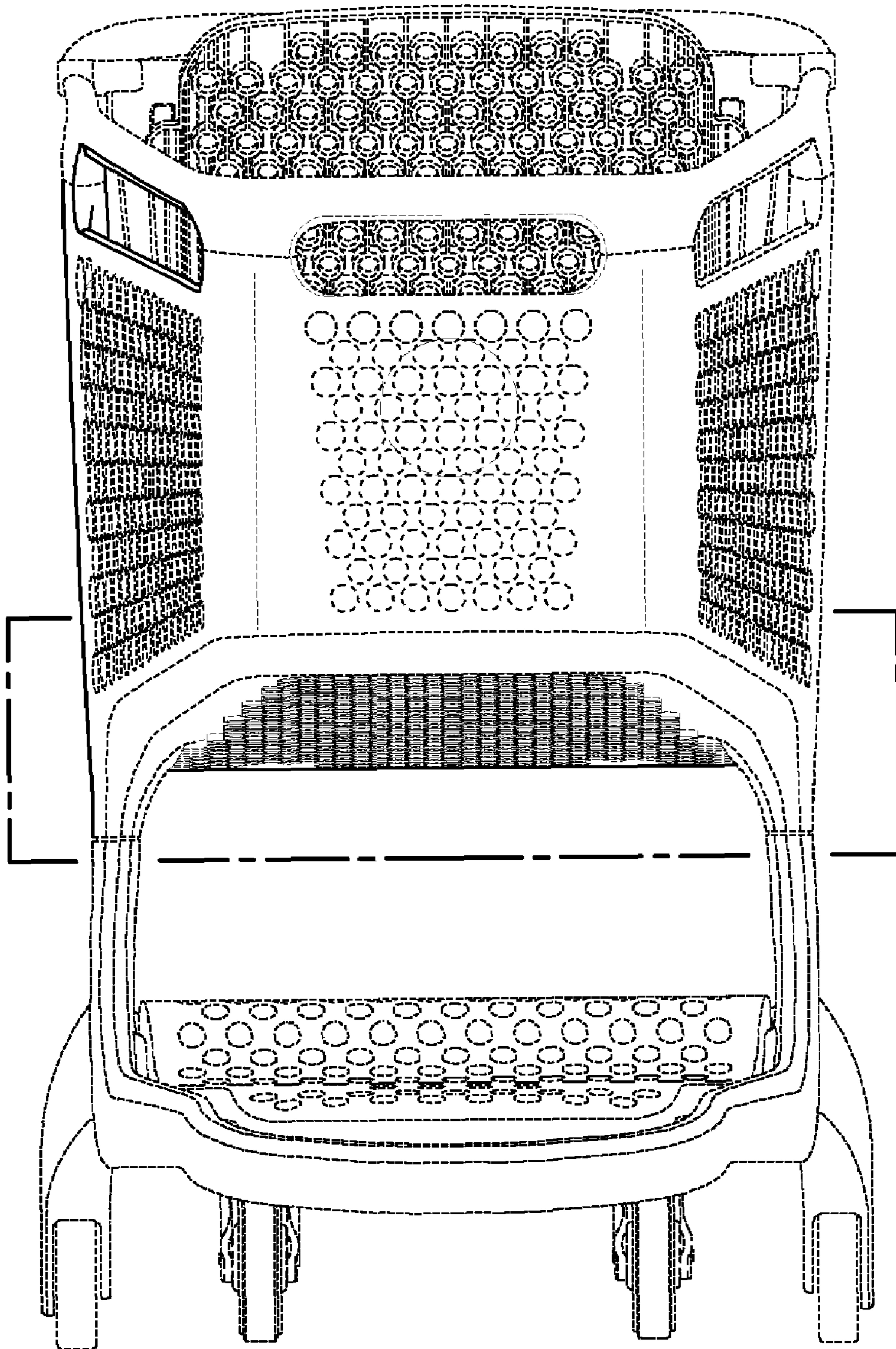


Fig. 2

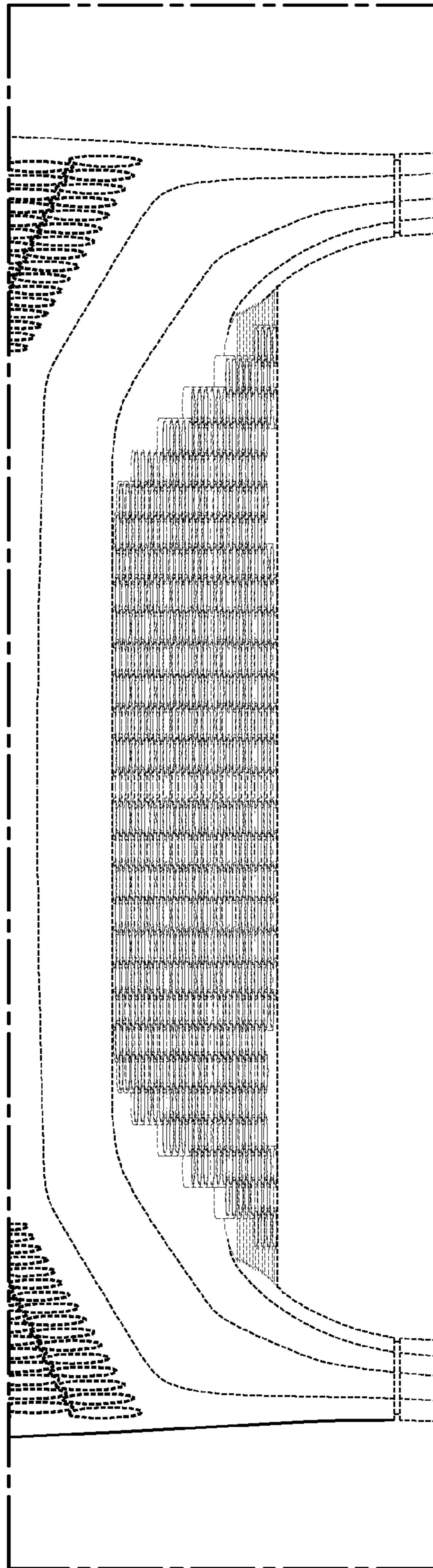


Fig. 3

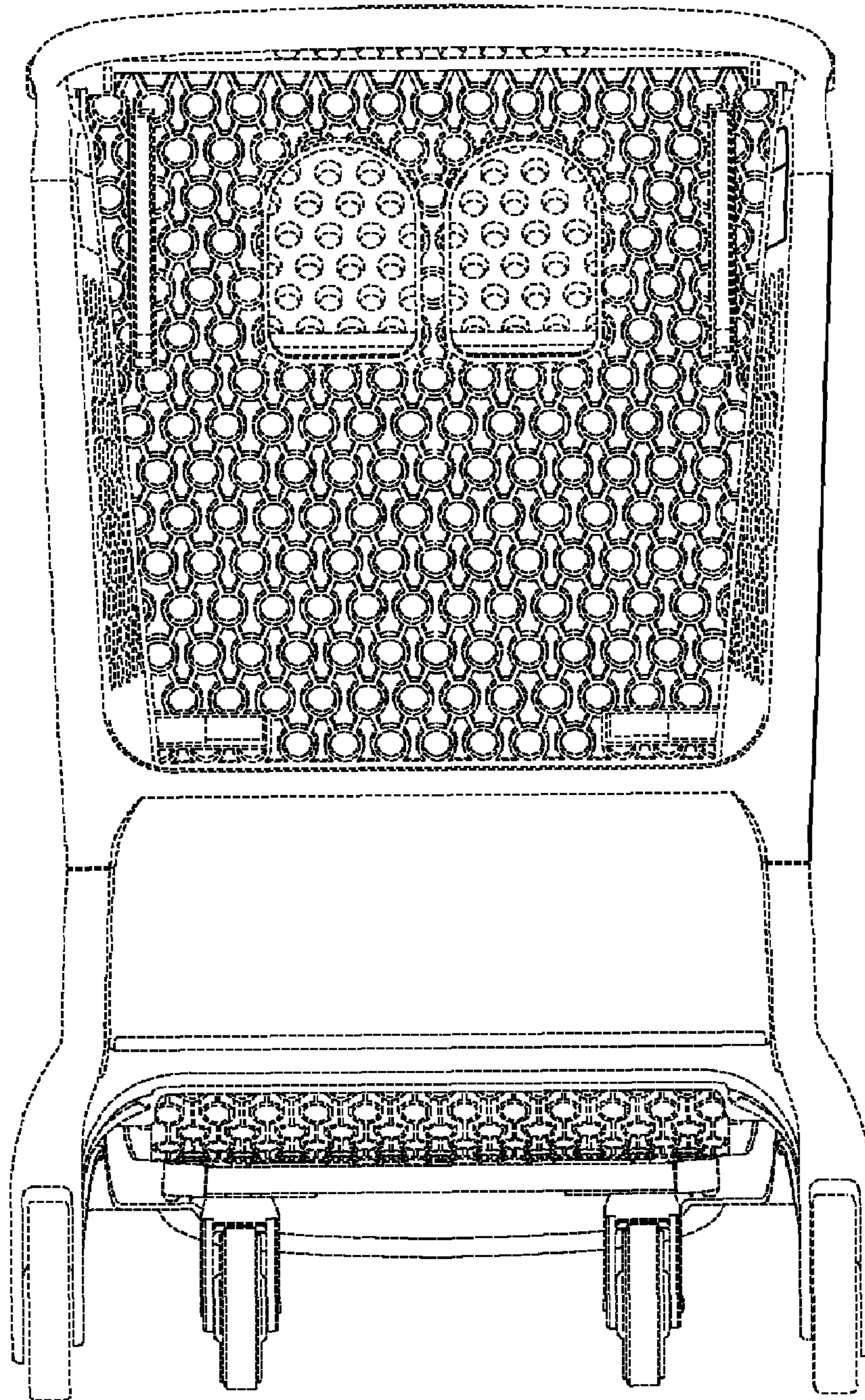


Fig. 4

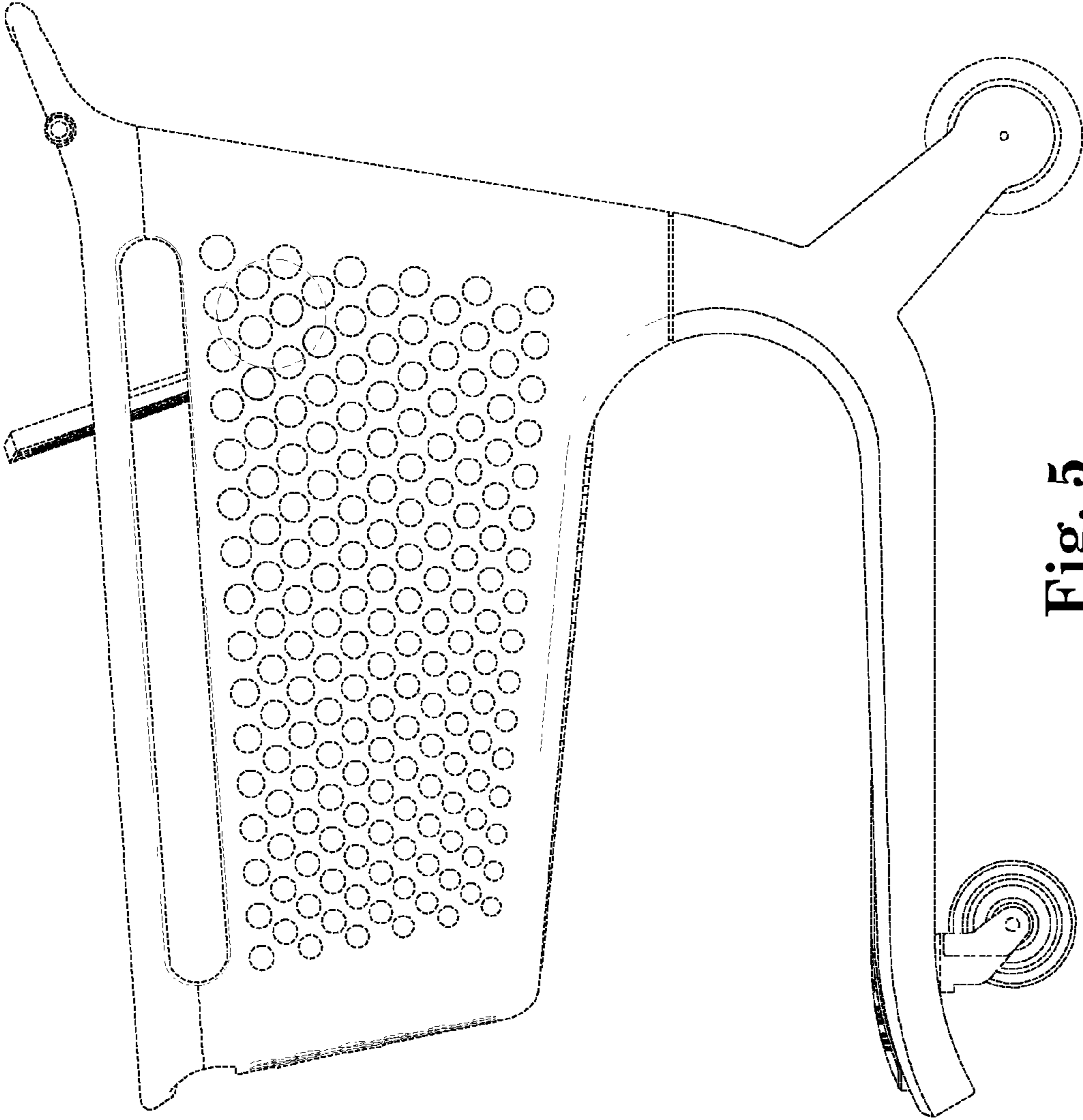


Fig. 5

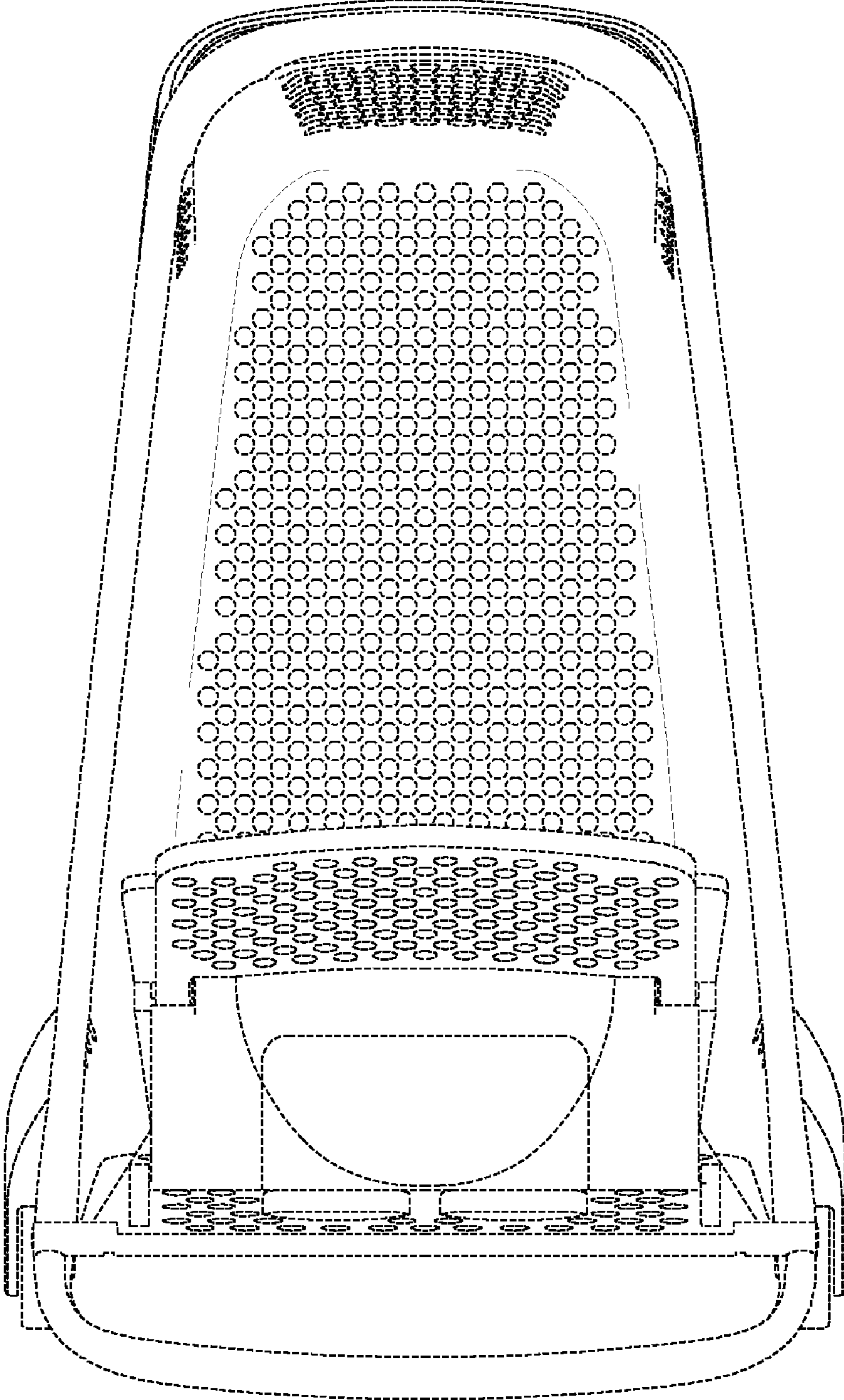


Fig. 6

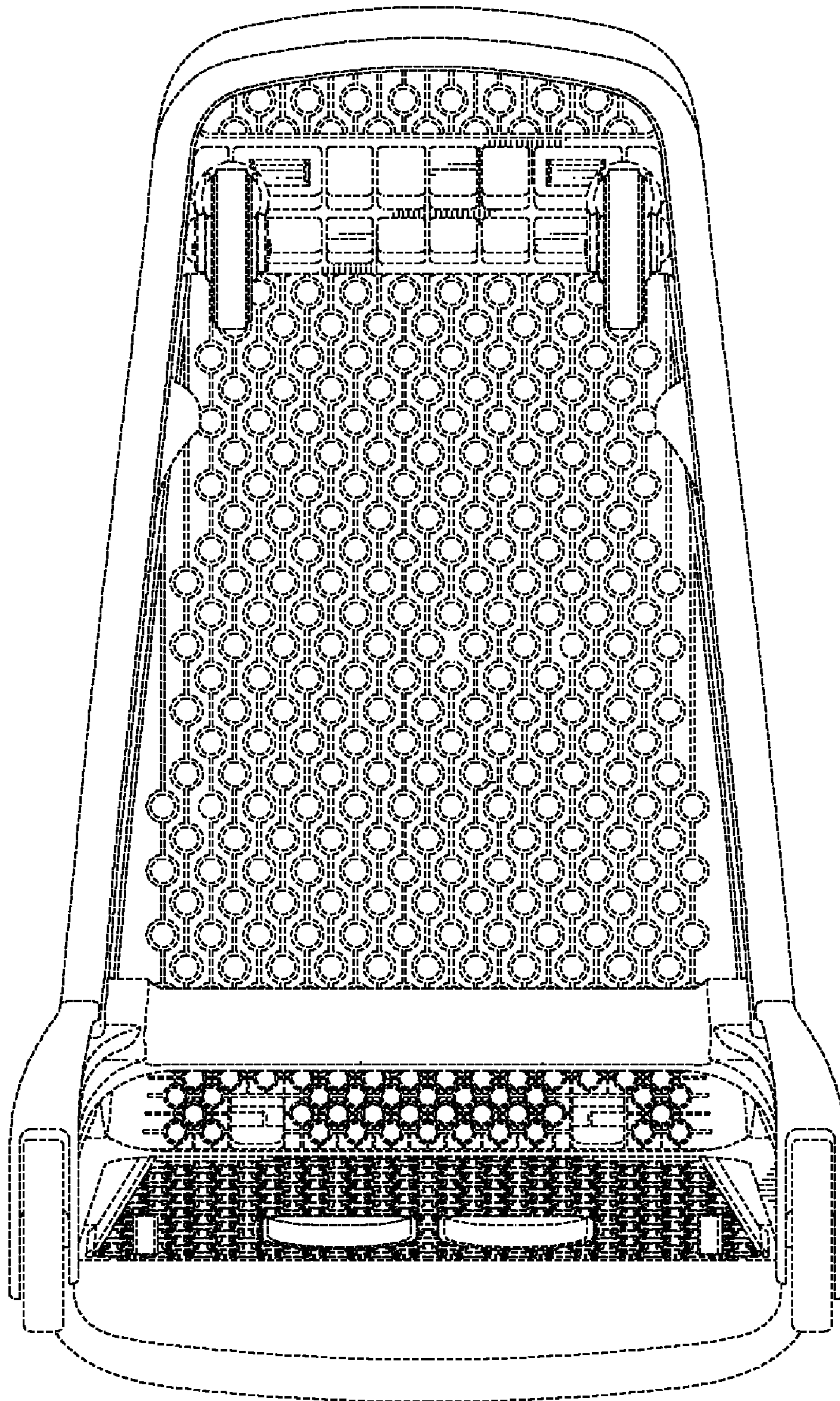


Fig. 7

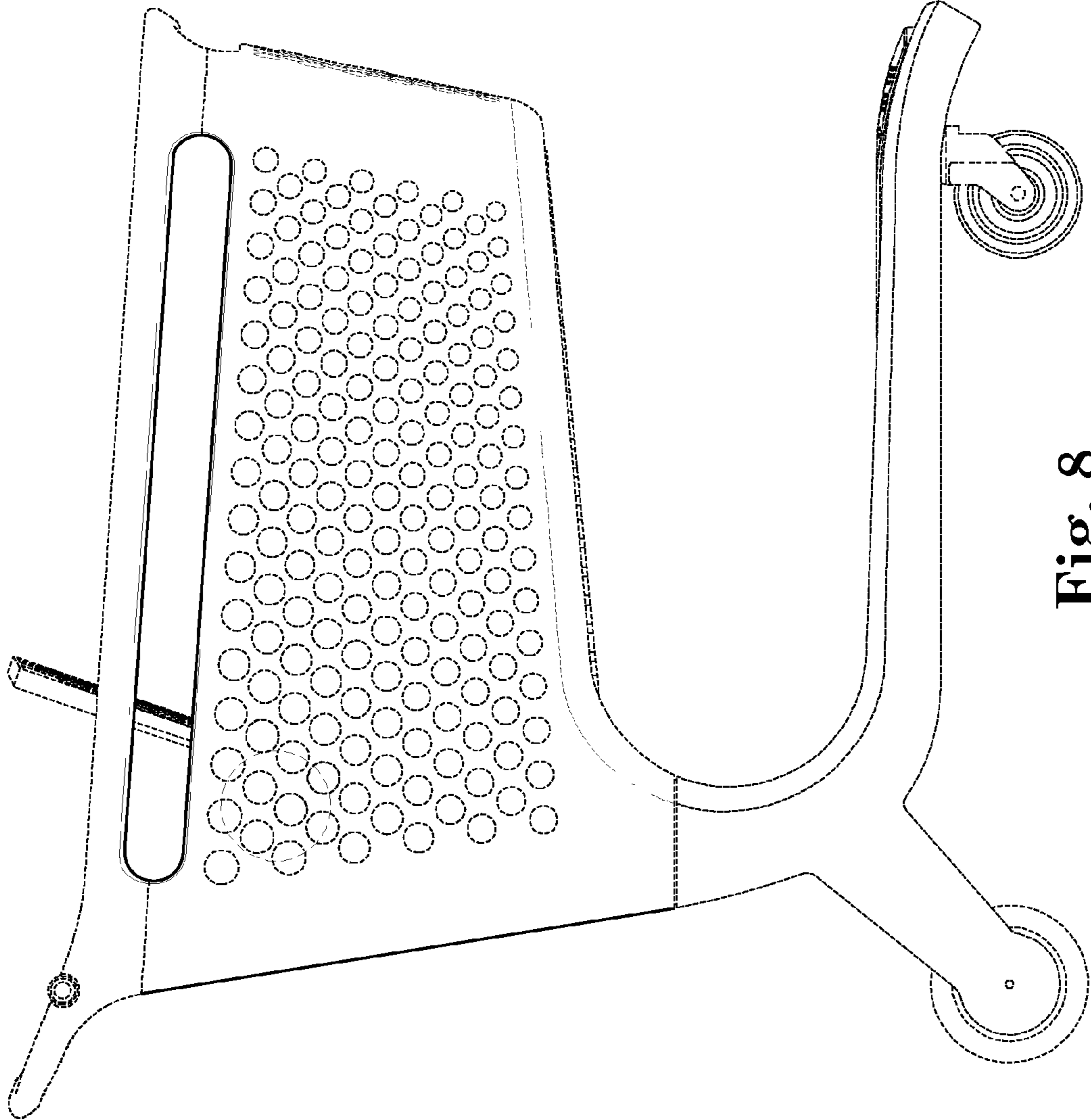


Fig. 8