



US00D575469S

(12) **United States Design Patent**
Rekart

(10) **Patent No.:** **US D575,469 S**
(45) **Date of Patent:** **** Aug. 19, 2008**

(54) **CLIP FOR A PAINT CAN OR BUCKET FOR USE WITH A PAINT BRUSH FOR CORNER APPLICATIONS**

(76) Inventor: **Phillip Rekart**, 5704 W. 89th Pl., Oak Lawn, IL (US) 60453

(**) Term: **14 Years**

(21) Appl. No.: **29/204,343**

(22) Filed: **Apr. 28, 2004**

(51) **LOC (8) Cl.** **07-07**

(52) **U.S. Cl.** **D32/54**

(58) **Field of Classification Search** D32/53,
D32/53.1, 54; D9/435; D8/363, 380, 394-395,
D8/366, 371; 15/210.1, 235.7, 260, 263-264,
15/144.2, 145; 24/67.9, 259 R; 220/23.87,
220/697, 699-701, 761-762, 735-736; 248/213.2
See application file for complete search history.

(56) **References Cited**

U.S. PATENT DOCUMENTS

3,260,401 A *	7/1966	Cortina	15/257.05
3,464,079 A	9/1969	Palmer		
3,503,089 A	3/1970	Coneway		
3,728,755 A	4/1973	Whalen		
3,761,990 A	10/1973	Lynn		
4,360,940 A	11/1982	Smith		
4,674,144 A	6/1987	Palmeri		
D300,970 S *	5/1989	Walker	D32/54
5,267,369 A	12/1993	O'Neil et al.		
5,293,662 A	3/1994	Newman, Sr. et al.		
D350,632 S *	9/1994	Cummins	D32/53
5,432,972 A	7/1995	Polzin et al.		

5,544,384 A	8/1996	Forselius et al.		
D396,914 S *	8/1998	Pepper et al.	D32/53
D428,706 S	8/2000	Thunderchild		
D438,680 S *	3/2001	Cogdill	D32/53
D457,700 S *	5/2002	Acord	D32/54
6,616,110 B1 *	9/2003	McIntee	248/213.2
D498,339 S *	11/2004	Doelling	D32/54
6,929,225 B1 *	8/2005	Kent	248/213.2
D521,705 S *	5/2006	Kent	D32/54

* cited by examiner

Primary Examiner—Pamela J. Burgess

(74) *Attorney, Agent, or Firm*—McDermott Will & Emery LLP

(57) **CLAIM**

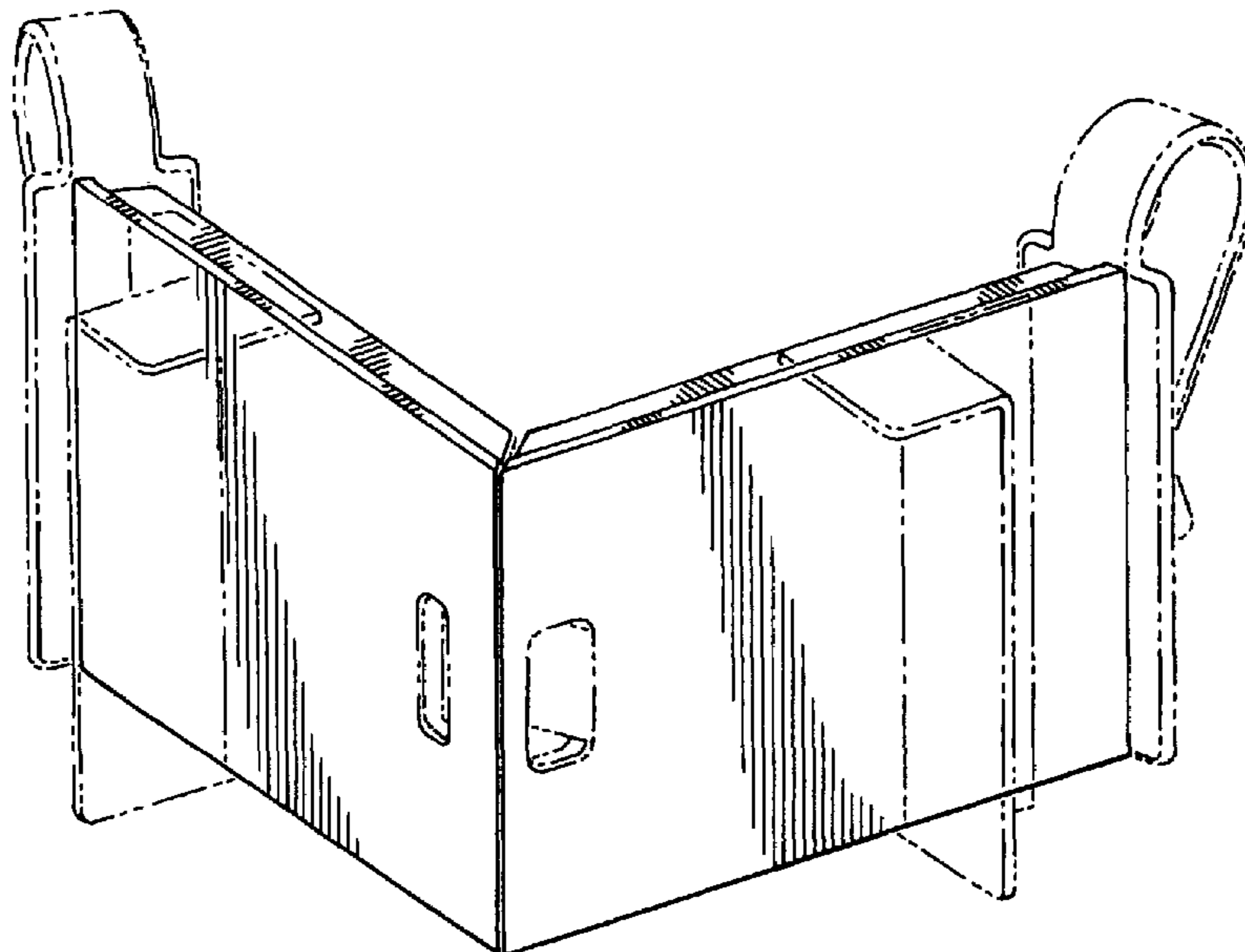
We claim the ornamental design for a clip for a paint can or bucket for use with a paint brush for corner applications, as shown and described.

DESCRIPTION

FIG. 1 is a perspective view of a another preferred embodiment of a clip according to the present invention;
FIG. 2 is a front view of the clip shown in FIG. 9;
FIG. 3 is a rear view of the clip shown in FIG. 9;
FIG. 4 is a right side view of the clip shown in FIG. 9;
FIG. 5 is a left side view of the clip shown in FIG. 9;
FIG. 6 is a top view of the clip shown in FIG. 9; and,
FIG. 7 is a bottom view of the clip shown in FIG. 9.

The broken lines shown in the drawings are for illustrative purposes only and form no part of the claimed design.

1 Claim, 2 Drawing Sheets



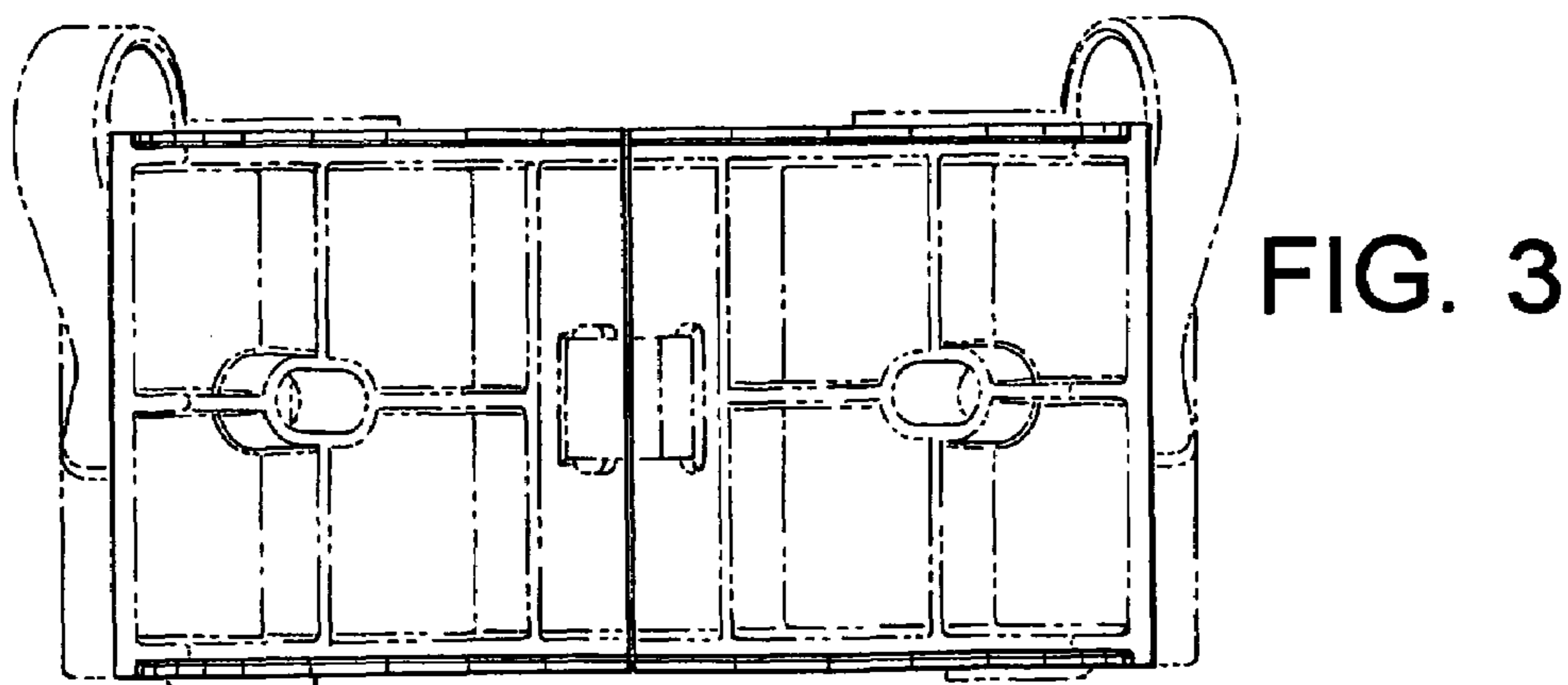
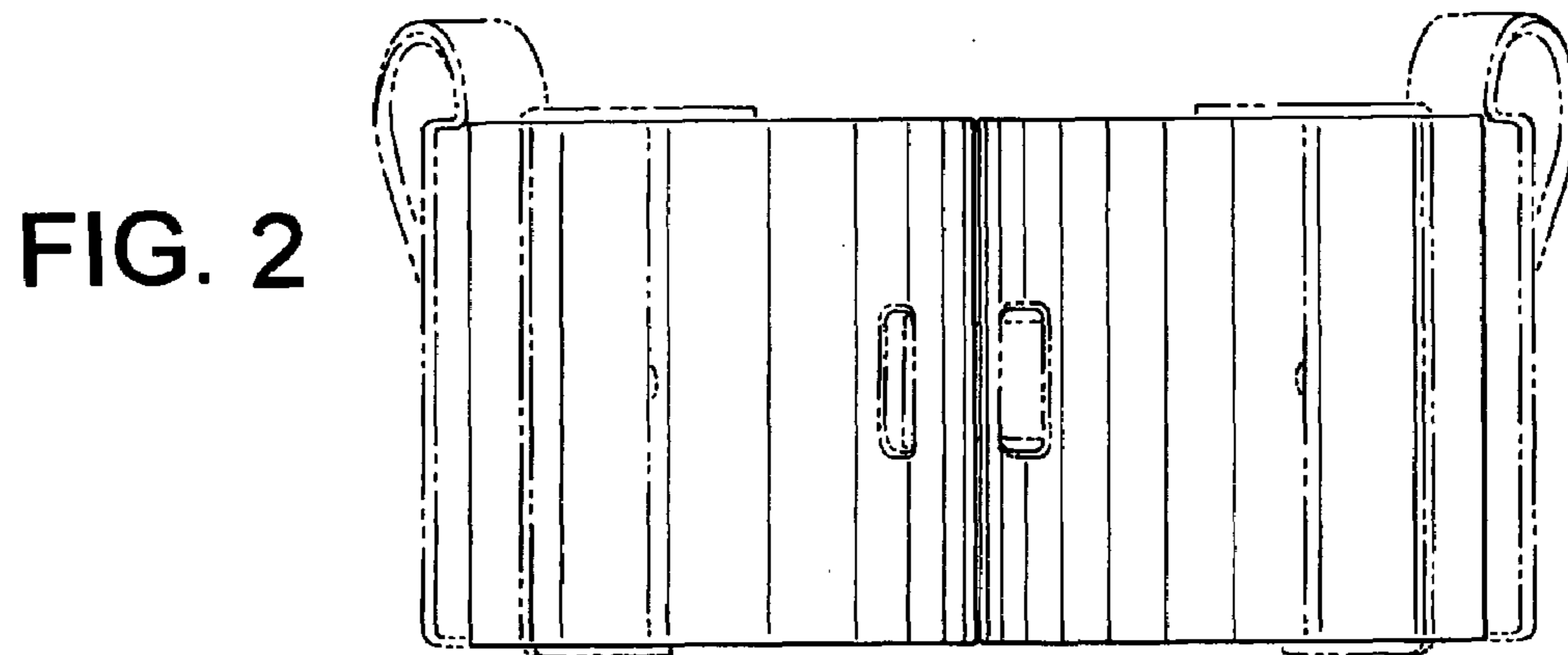
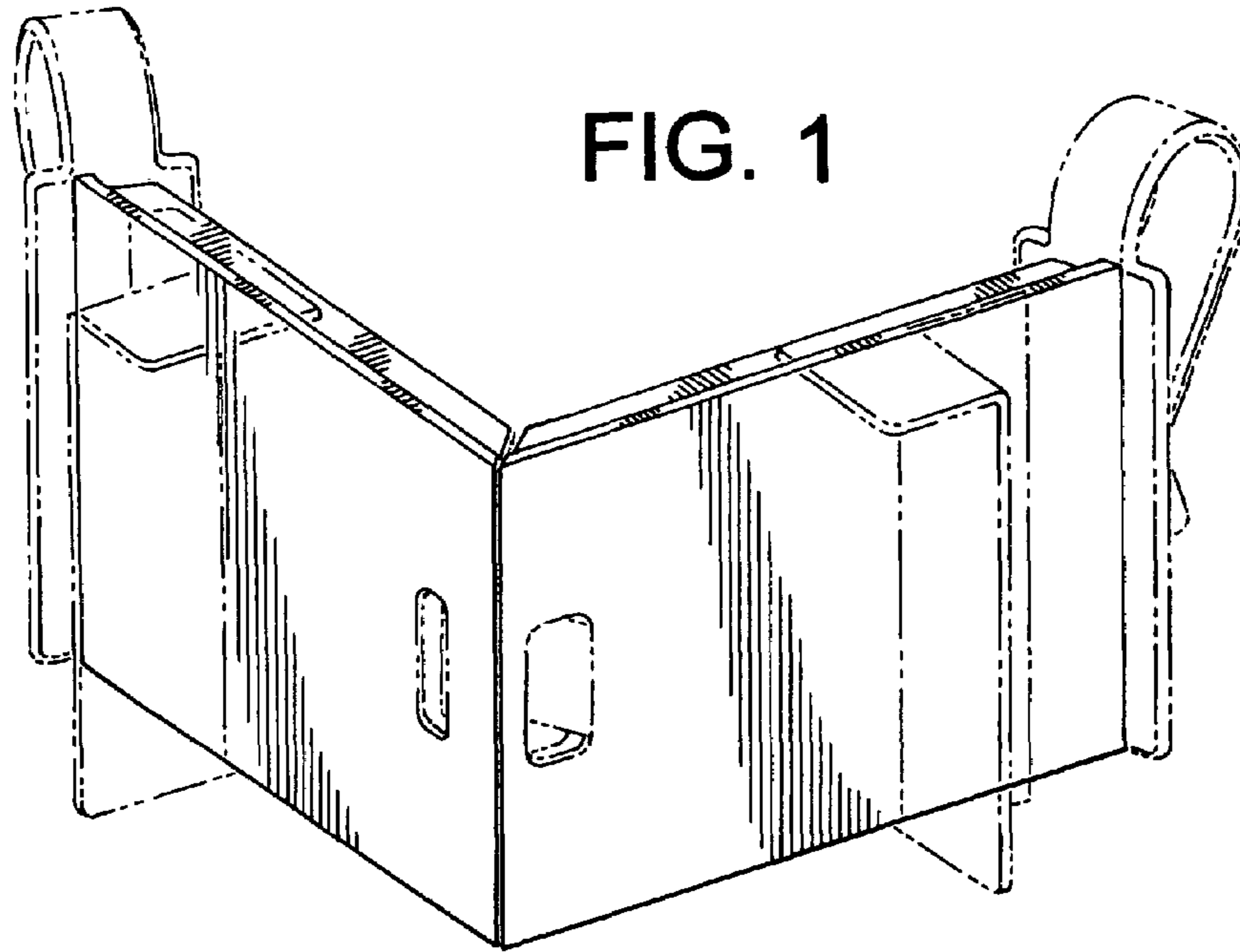


FIG. 4

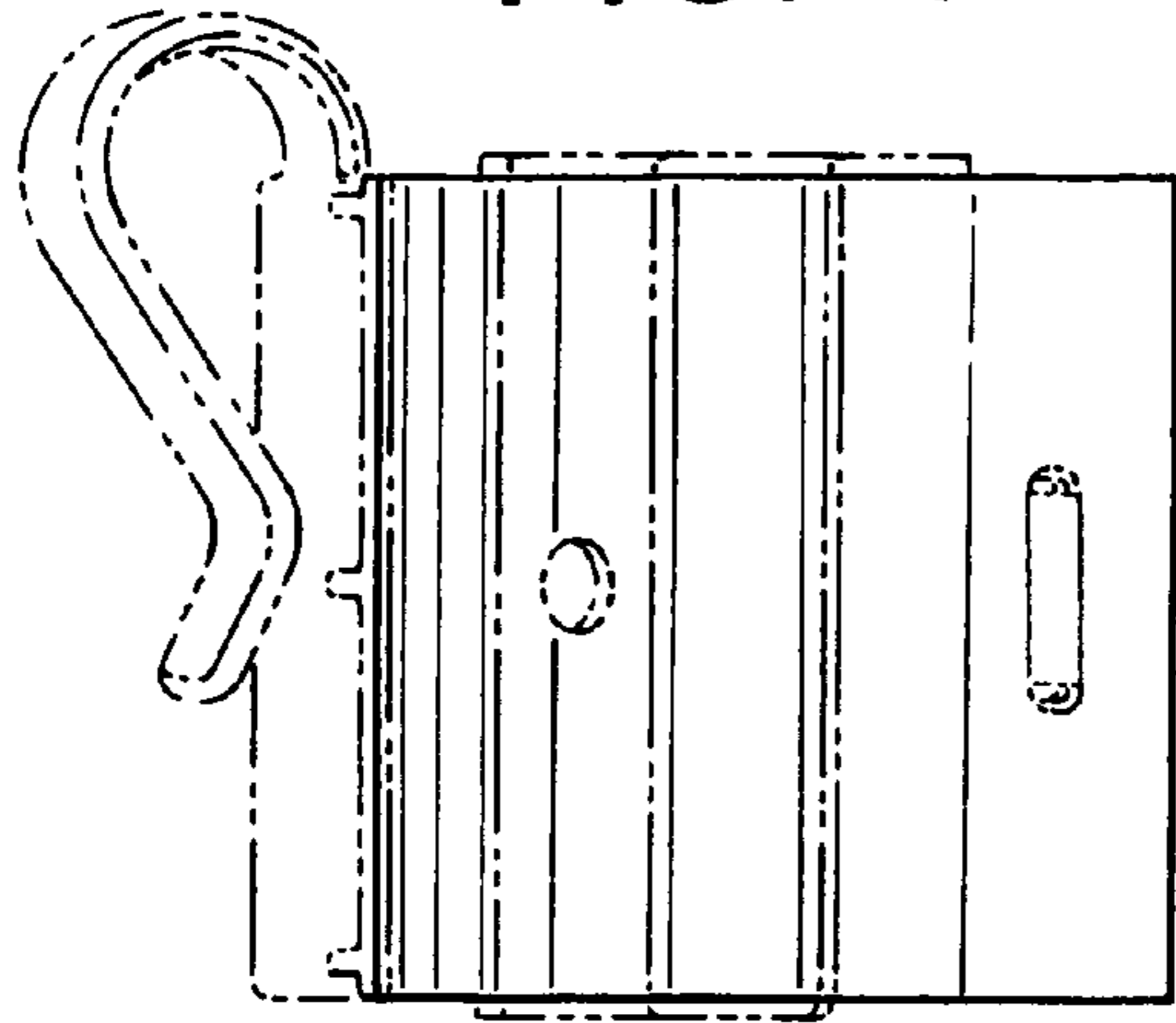


FIG. 5

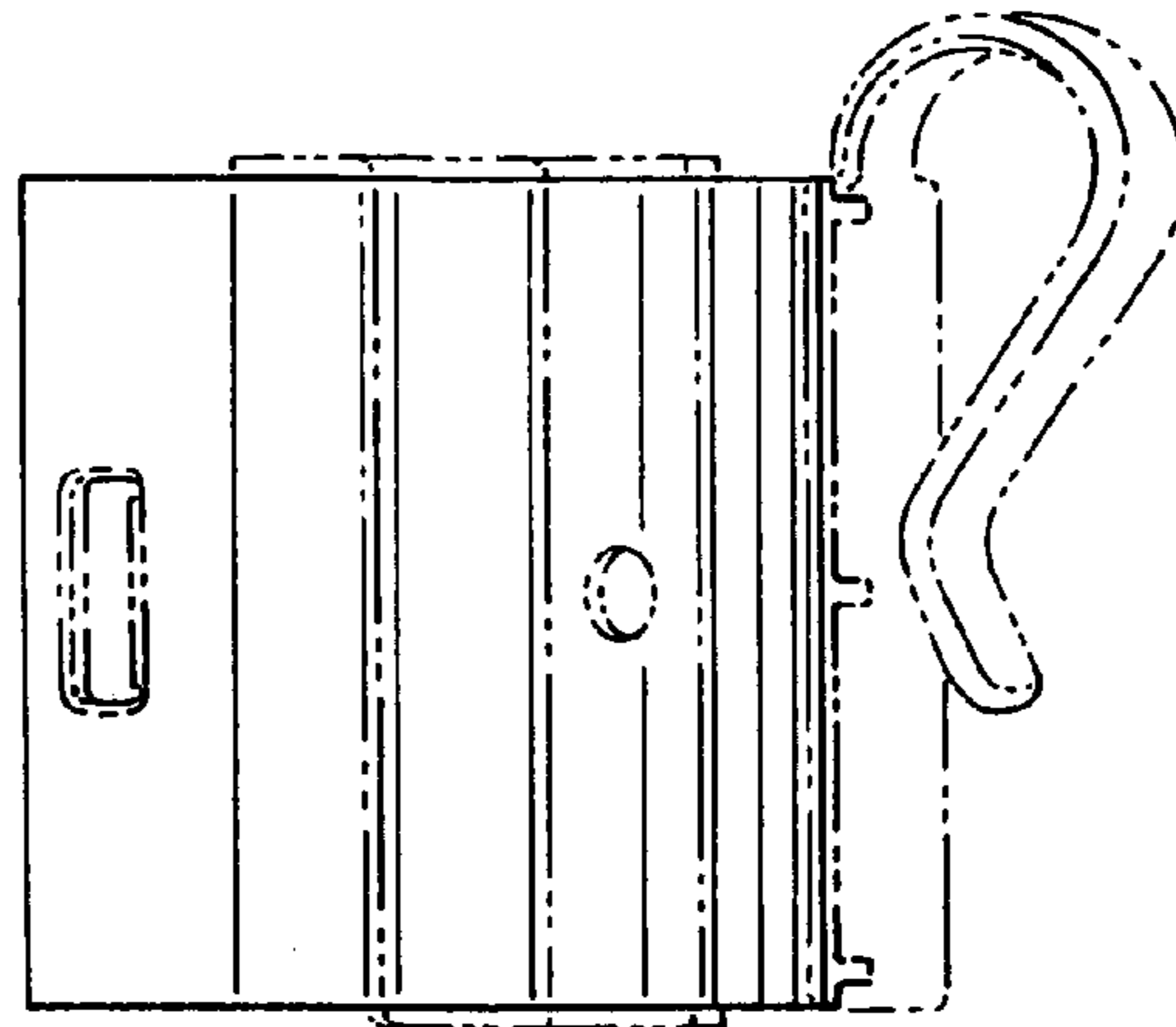


FIG. 6

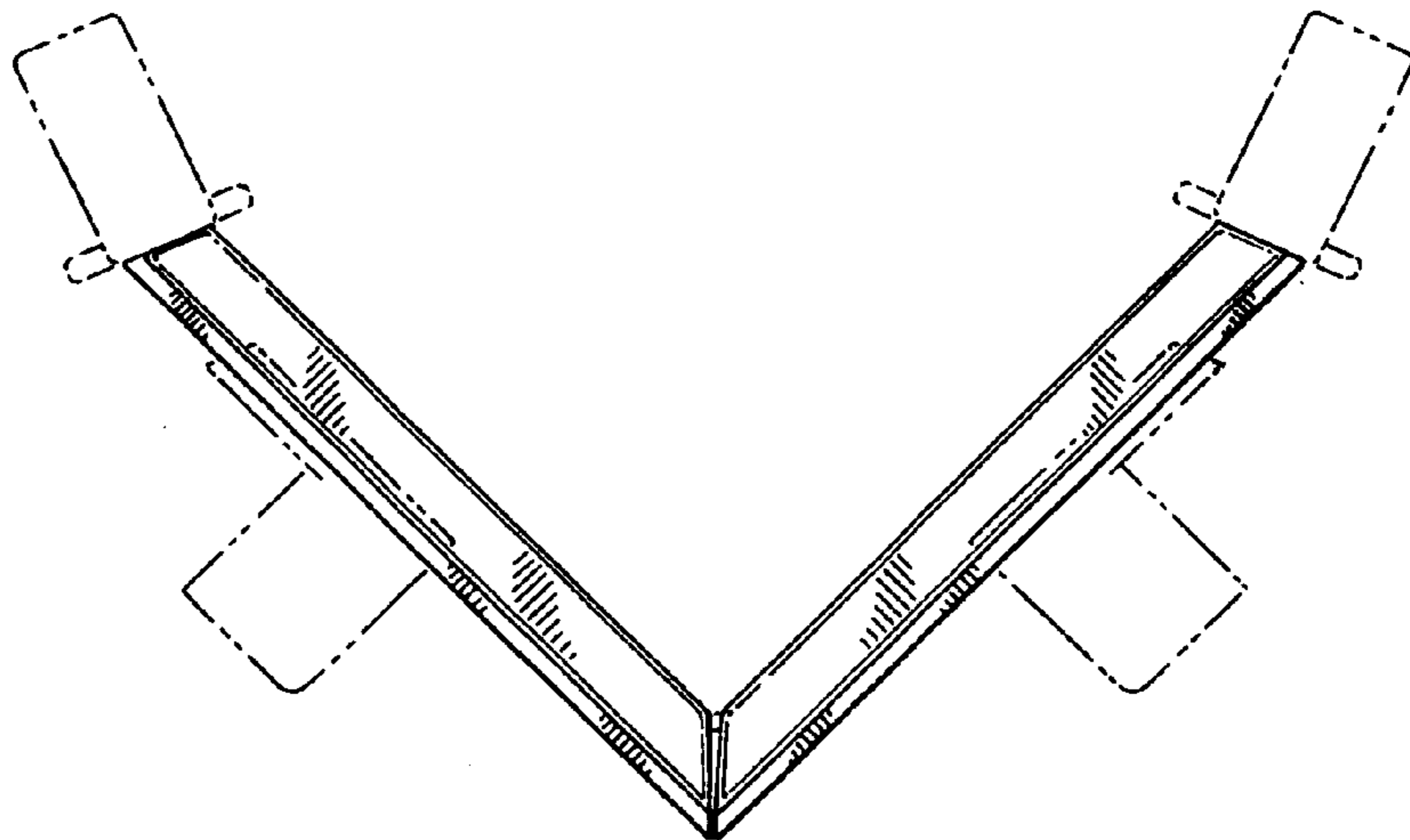


FIG. 7

