



US00D575467S

(12) **United States Design Patent**
Paredes et al.

(10) **Patent No.:** **US D575,467 S**

(45) **Date of Patent:** **** Aug. 19, 2008**

(54) **VACUUM CLEANER POWERHEAD**

(75) Inventors: **Apollo Paul Paredes**, Boston, MA (US);
Randall Sandlin, Bloomington, IL (US);
Vincent Bobrosky, Normal, IL (US)

(73) Assignee: **Electrolux Home Care Products, Inc.**,
Cleveland, OH (US)

(**) Term: **14 Years**

(21) Appl. No.: **29/277,523**

(22) Filed: **Feb. 28, 2007**

(51) **LOC (8) Cl.** **15-05**

(52) **U.S. Cl.** **D32/32**

(58) **Field of Classification Search** 15/321-322,
15/329, 340.3, 89, 340.4, 90, 344, 361, 350-351,
15/362, 412, 246.2, 250; D32/21-23, 31-34,
D32/38-39

See application file for complete search history.

(56) **References Cited**

U.S. PATENT DOCUMENTS

D487,602 S *	3/2004	Roberts et al.	D32/32
D501,283 S *	1/2005	Carr et al.	D32/38
D537,587 S *	2/2007	Scheifele et al.	D32/32
D546,510 S *	7/2007	Parr et al.	D32/32
D549,906 S *	8/2007	Rosenzweig	D32/38

* cited by examiner

Primary Examiner—Sandra Snapp

(74) *Attorney, Agent, or Firm*—Hunton & Williams

(57) **CLAIM**

The ornamental design for a vacuum cleaner powerhead, as shown and described.

DESCRIPTION

FIG. 1 is a front isometric view of a vacuum cleaner powerhead showing the claimed design.

FIG. 2 is a rear isometric view of the vacuum cleaner powerhead.

FIG. 3 is a top plan view of the vacuum cleaner powerhead.

FIG. 4 is a bottom plan view of the vacuum cleaner powerhead.

FIG. 5 is a front elevational view of the vacuum cleaner powerhead.

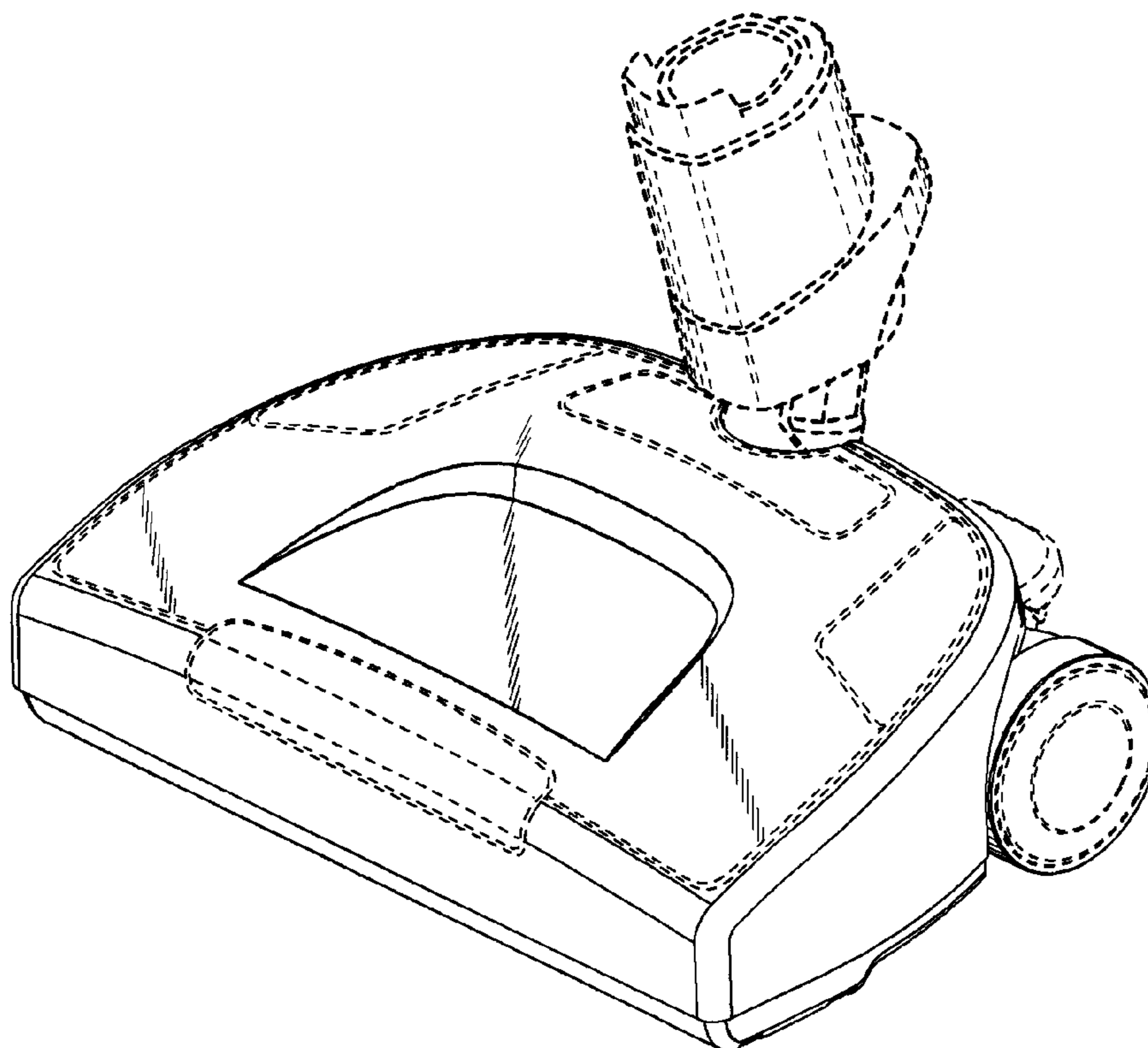
FIG. 6 is a rear elevational view of the vacuum cleaner powerhead.

FIG. 7 is a left elevational view of the vacuum cleaner powerhead; and,

FIG. 8 is a right elevational view of the vacuum cleaner powerhead.

The broken lines shown in the drawings are for illustrative purposes only and form no part of the claimed design.

1 Claim, 8 Drawing Sheets



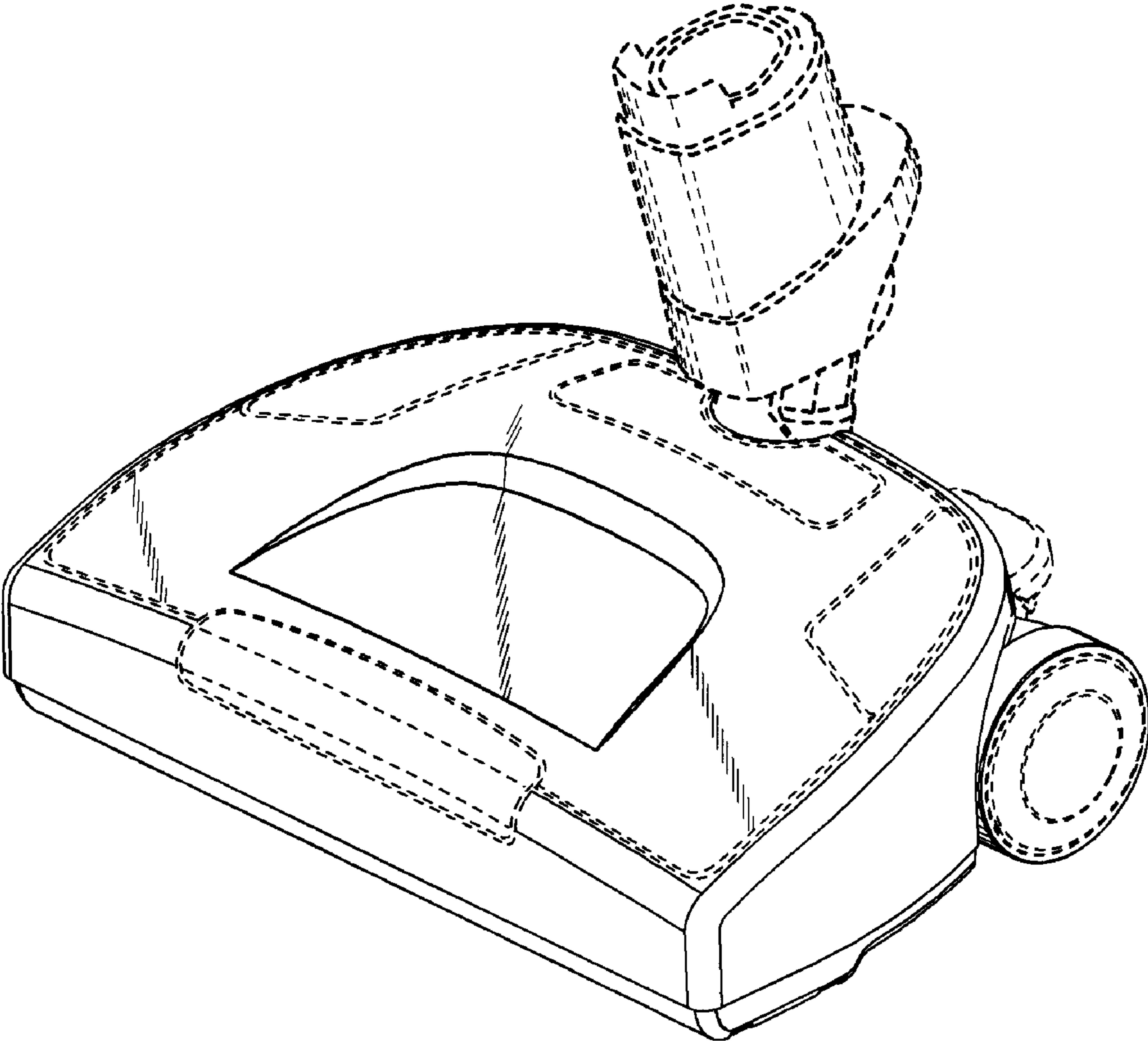


Fig. 1

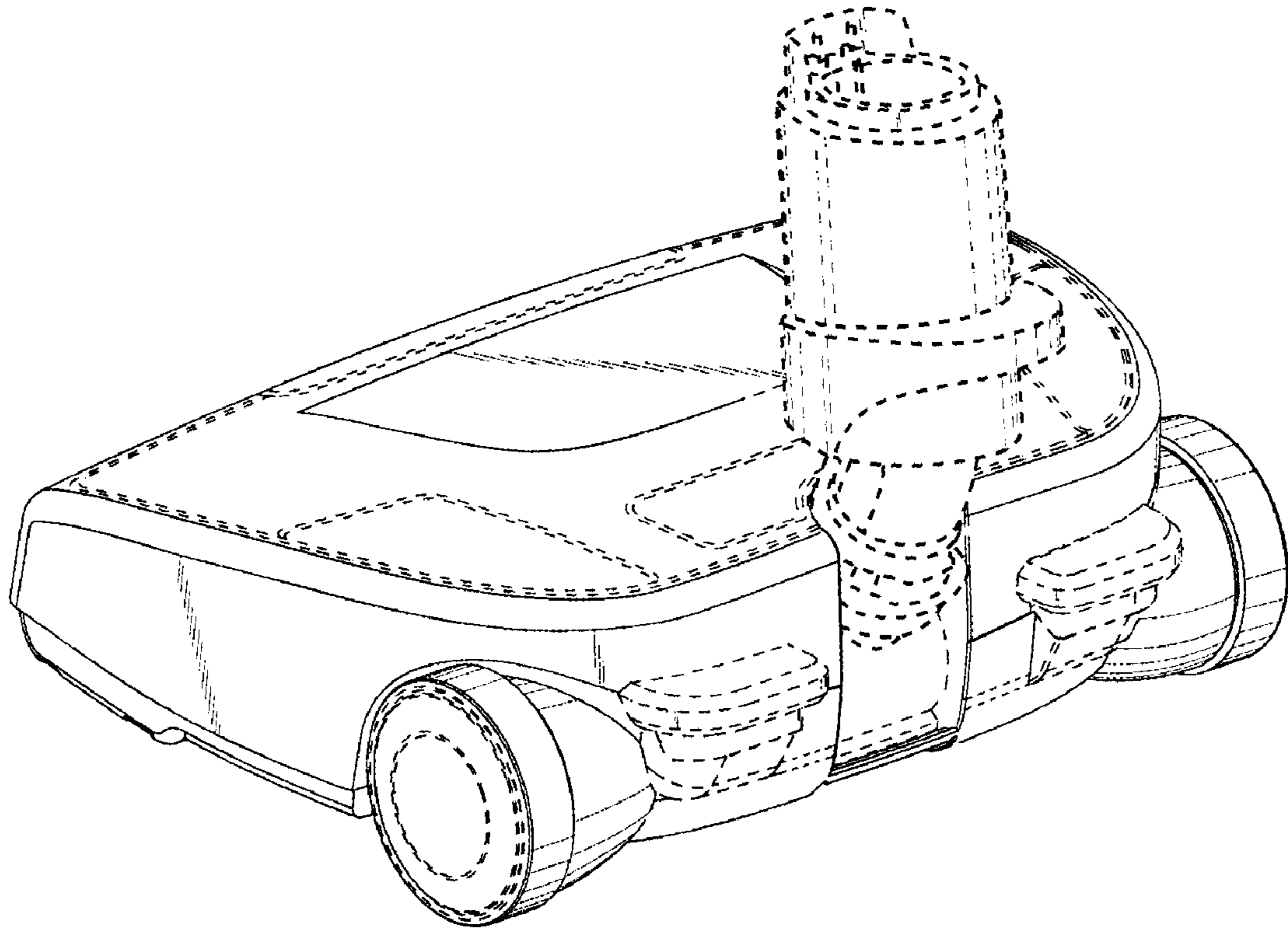


Fig. 2

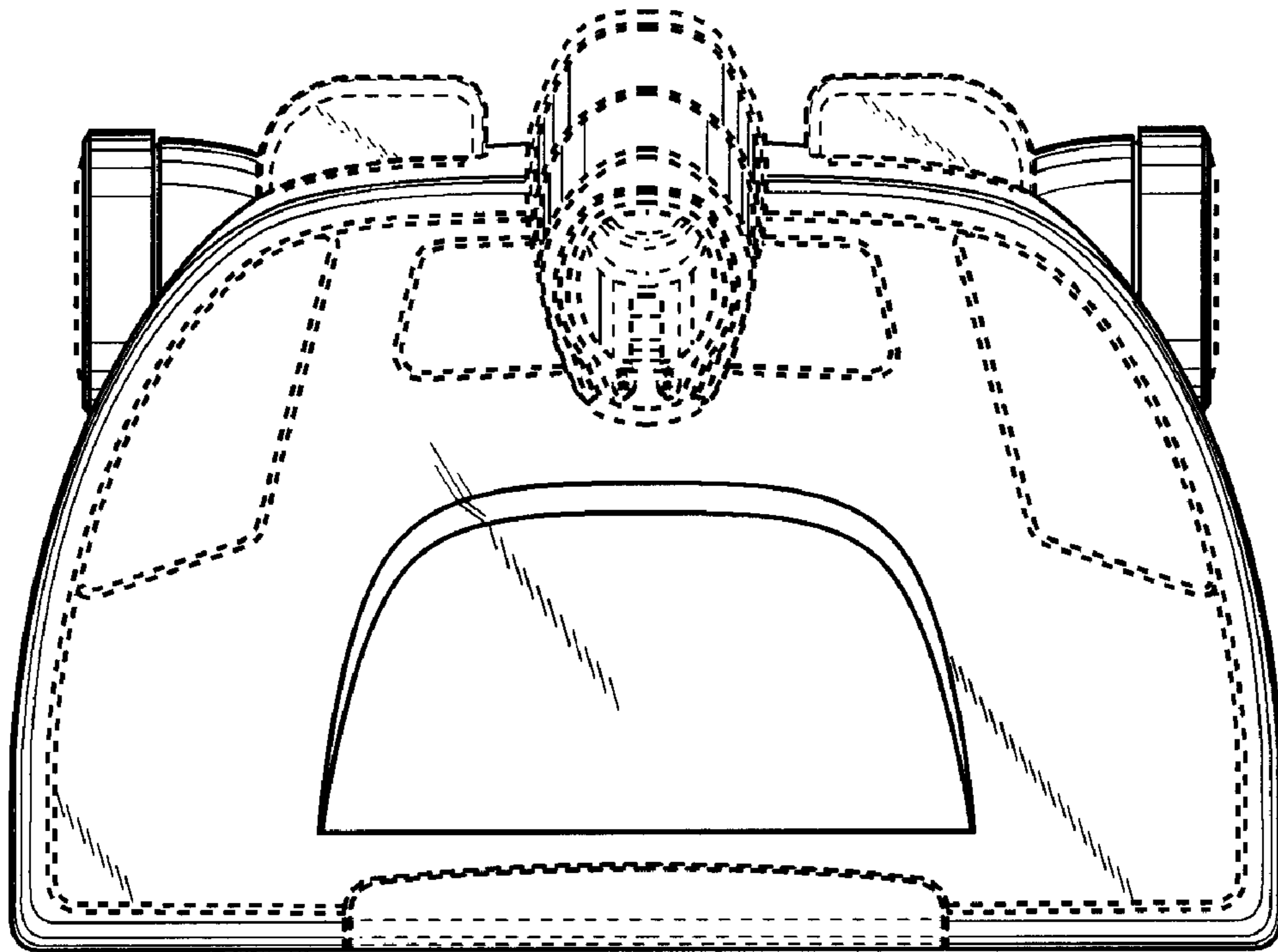


Fig. 3

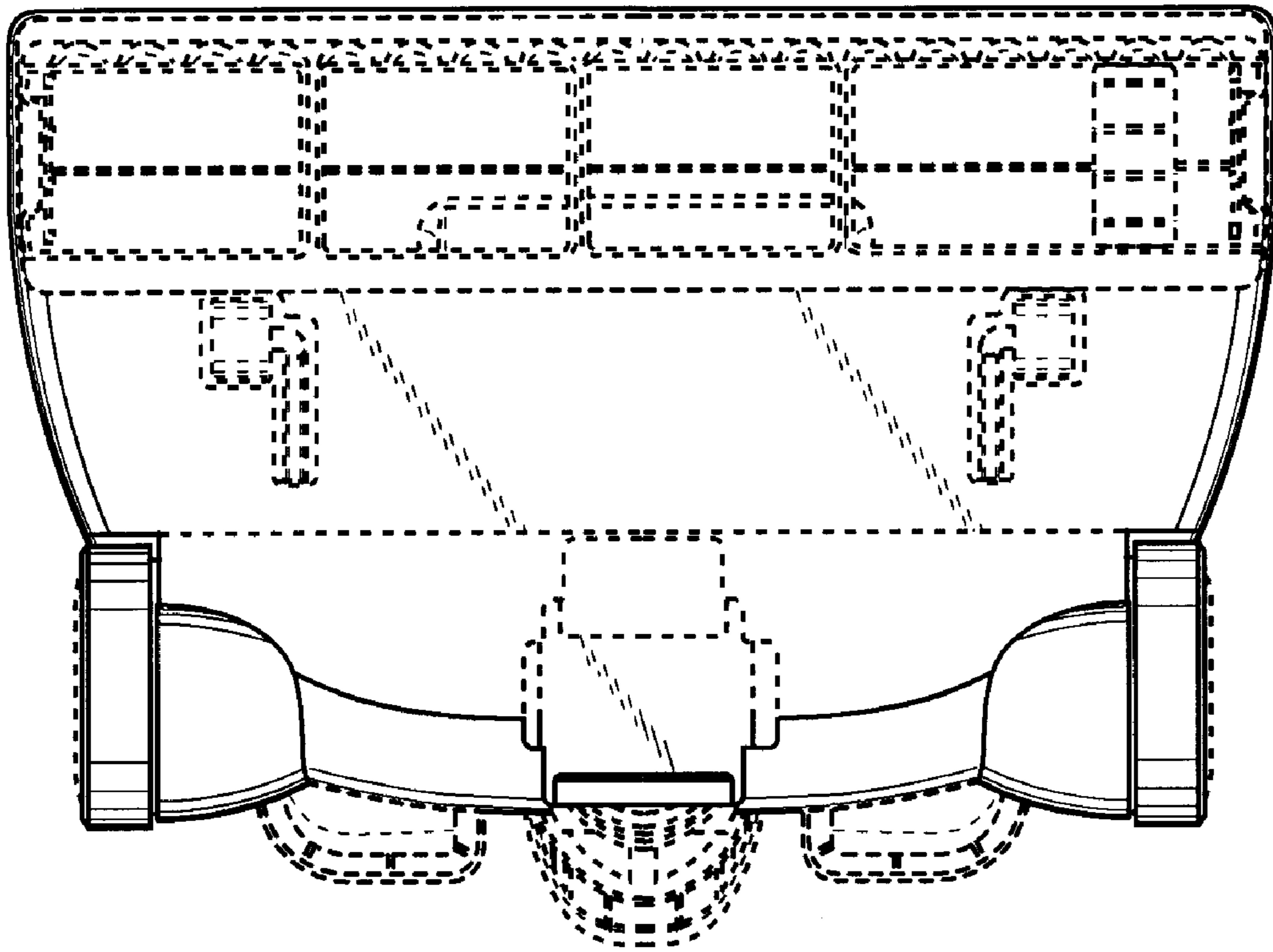


Fig. 4

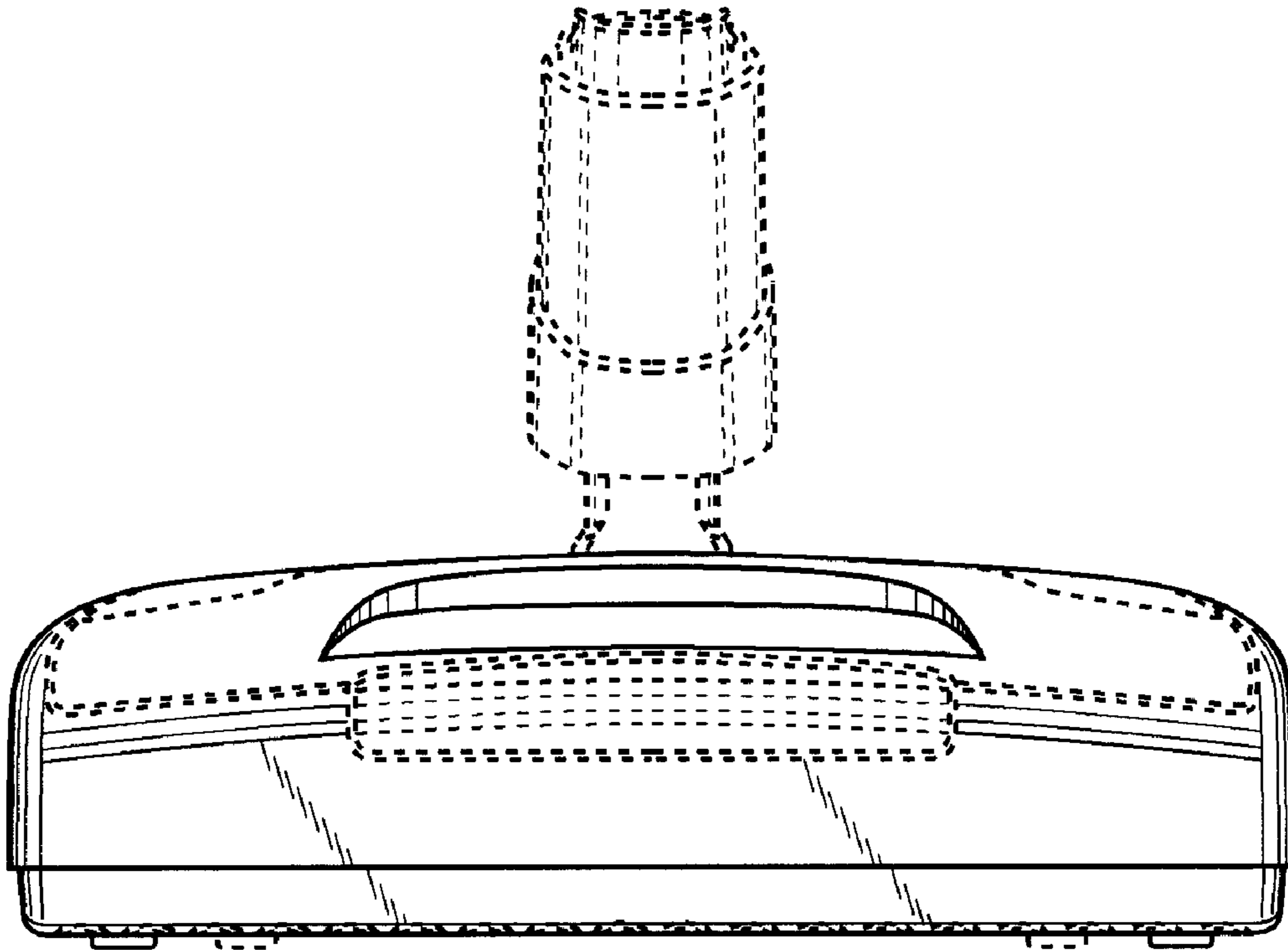


Fig. 5

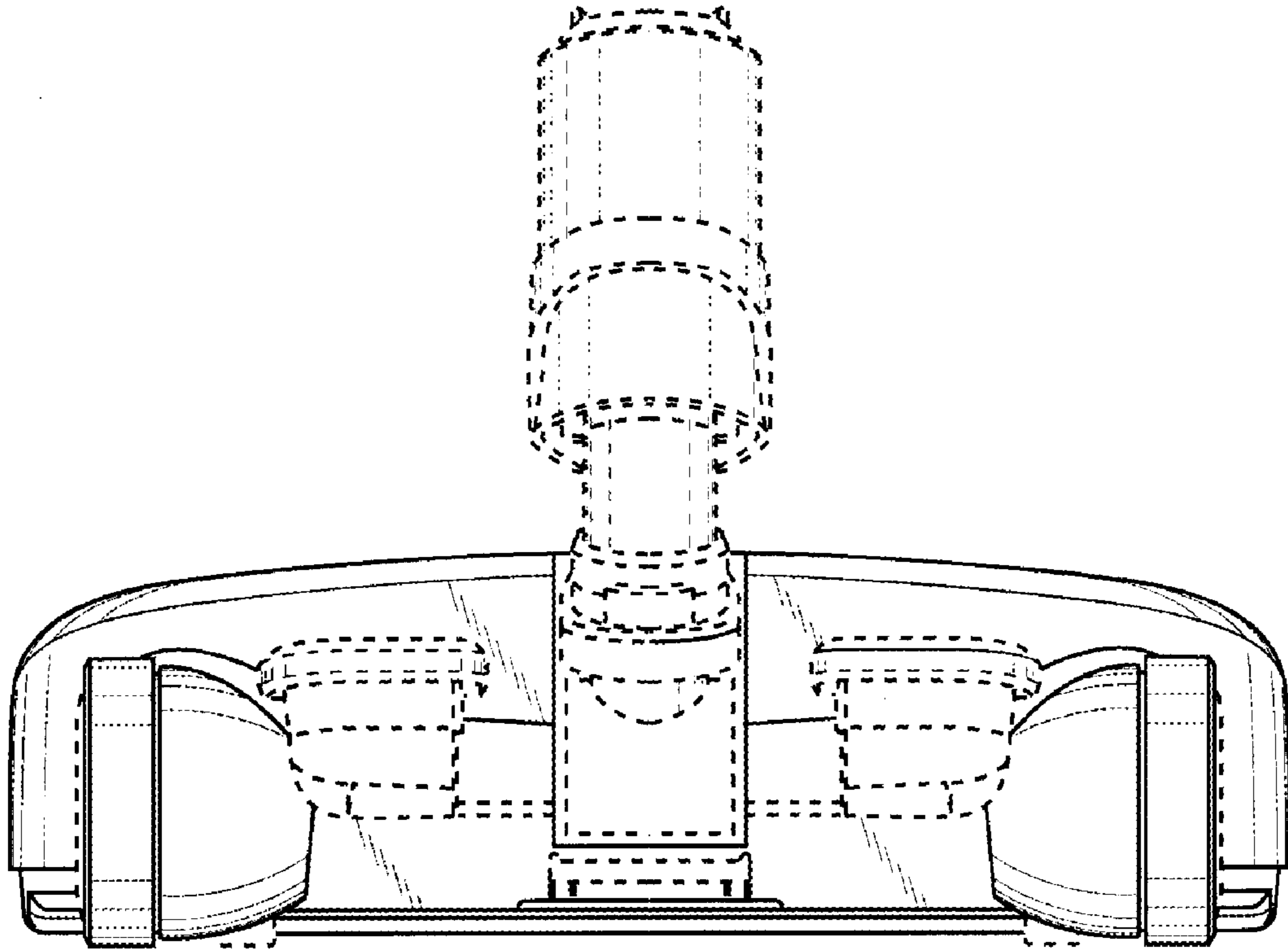


Fig. 6

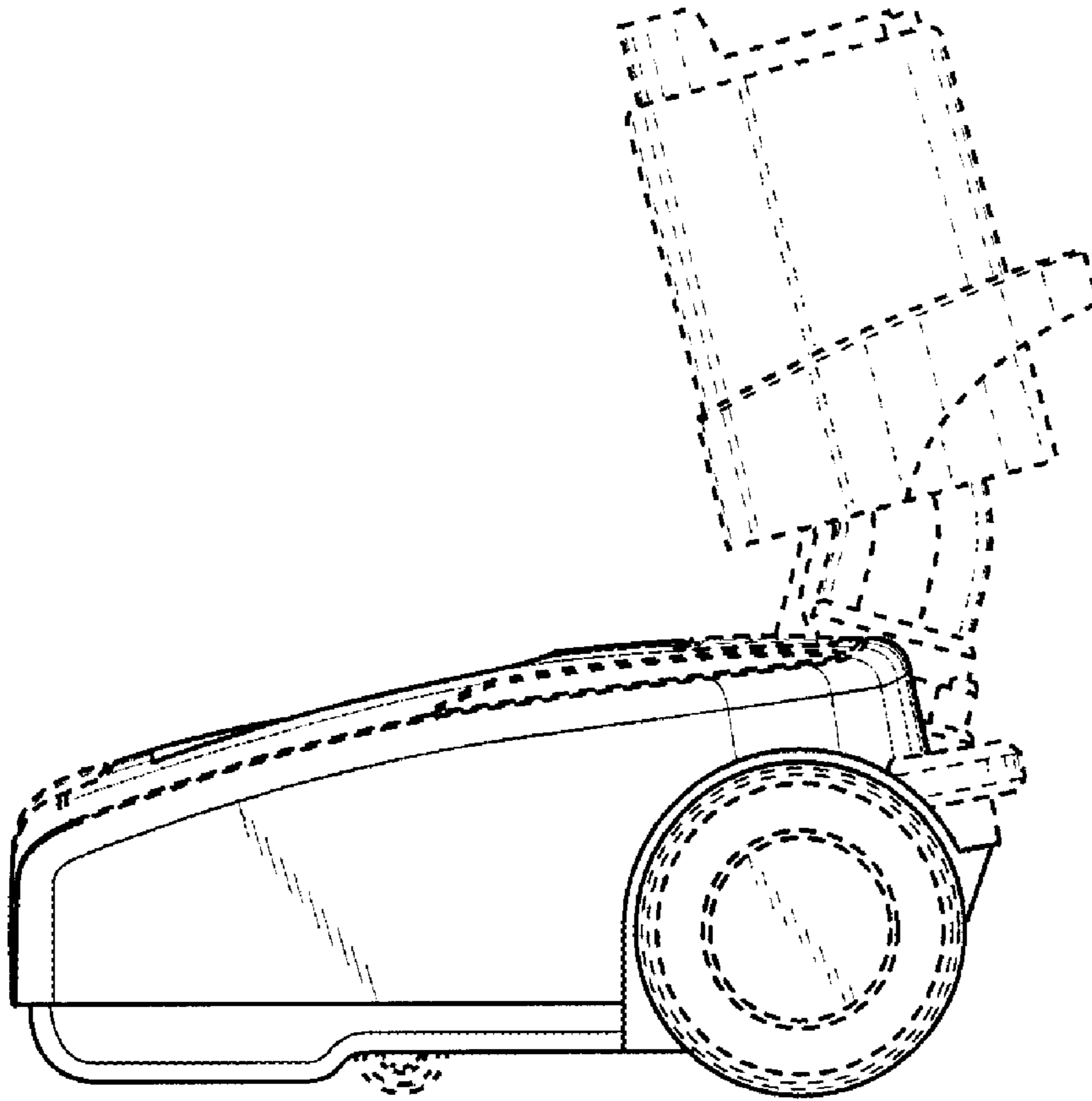


Fig. 7

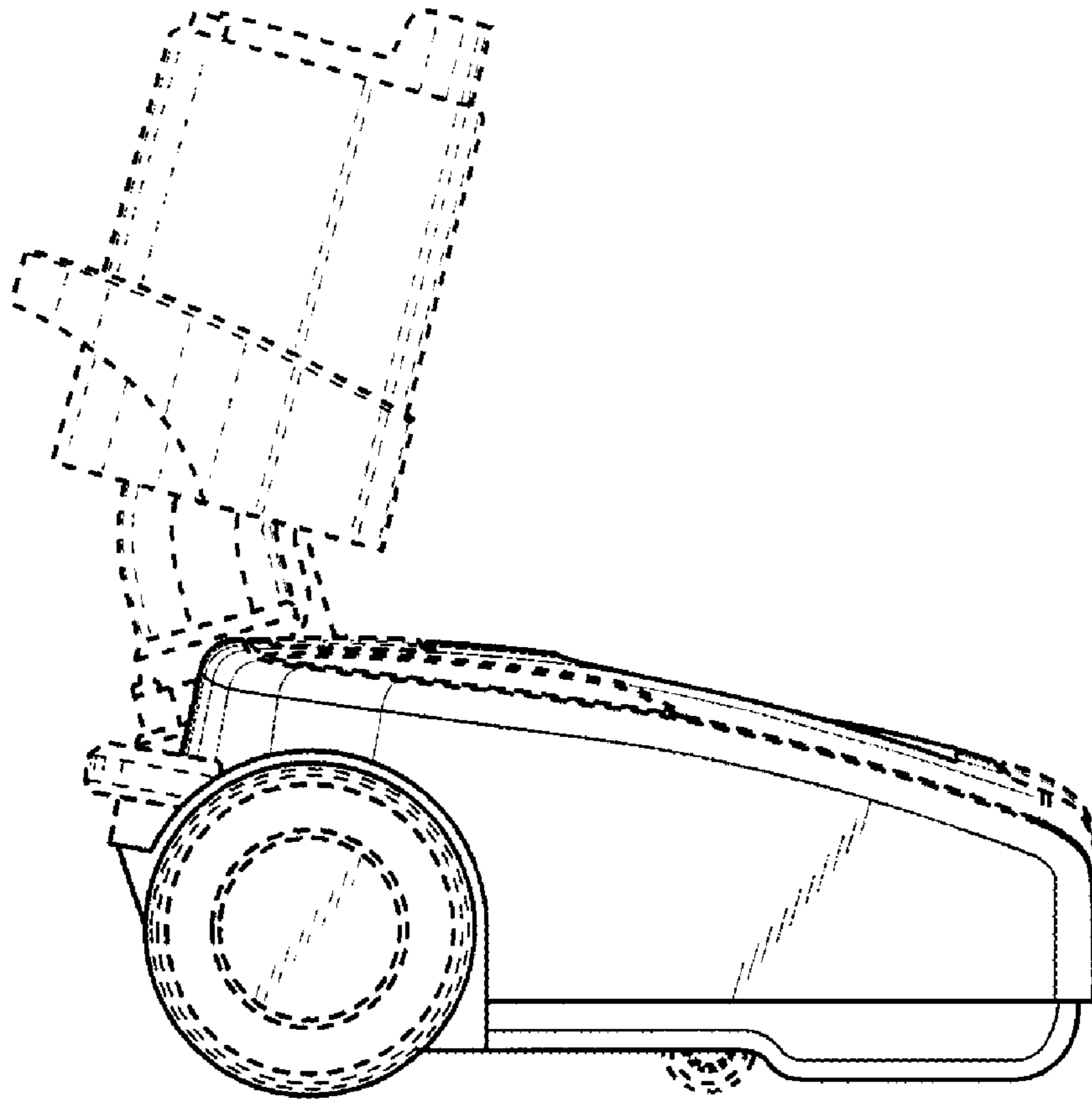


Fig. 8