



US00D575465S

(12) **United States Design Patent**
van der Meijden et al.

(10) **Patent No.:** **US D575,465 S**
(45) **Date of Patent:** **** Aug. 19, 2008**

(54) **POOL CLEANER COMPONENT**

(75) Inventors: **Hendrikus Johannes van der Meijden**,
Glen Austin (ZA); **Michael Edward**
Moore, Johannesburg (ZA)

(73) Assignee: **Zodiac Pool Care, Inc.**, Moorpark, CA
(US)

(**) Term: **14 Years**

(21) Appl. No.: **29/295,273**

(22) Filed: **Sep. 25, 2007**

(51) **LOC (8) Cl.** **15-05**

(52) **U.S. Cl.** **D32/25**

(58) **Field of Classification Search** D32/1,
D32/15, 21, 25, 35; D23/200, 207, 210,
D23/213, 219, 226, 259, 262, 286-287; D4/199;
4/496, 507; 15/1.7, 246, 404, 420; 210/169,
210/416.2; 137/494; 180/116, 119-120;
55/373

See application file for complete search history.

(56) **References Cited**

U.S. PATENT DOCUMENTS

4,558,889 A * 12/1985 Gans 285/7
D402,012 S * 12/1998 Clivio D23/262
6,382,593 B1 * 5/2002 deCler et al. 251/340
D497,414 S * 10/2004 Matsumoto D23/262

D507,115 S * 7/2005 Hay D4/199
D524,427 S * 7/2006 Wilk et al. D23/262
7,108,293 B2 * 9/2006 Van Der Meijden et al. 285/275
D533,623 S * 12/2006 Carrothers D23/209
D550,333 S * 9/2007 Bamberger et al. D23/259
2006/0032539 A1 * 2/2006 Meijden et al. 137/624.11
2006/0054229 A1 * 3/2006 van der Meijden et al. .. 137/849

* cited by examiner

Primary Examiner—Louis S Zarfaz

Assistant Examiner—Kathleen M Sims

(74) *Attorney, Agent, or Firm*—Michael A. Bertelson; Dean
W. Russell; Kilpatrick Stockton LLP

(57) **CLAIM**

The ornamental design for a pool cleaner component, as
shown and described.

DESCRIPTION

FIG. 1 is a perspective view of a pool cleaner component,
showing our new design;

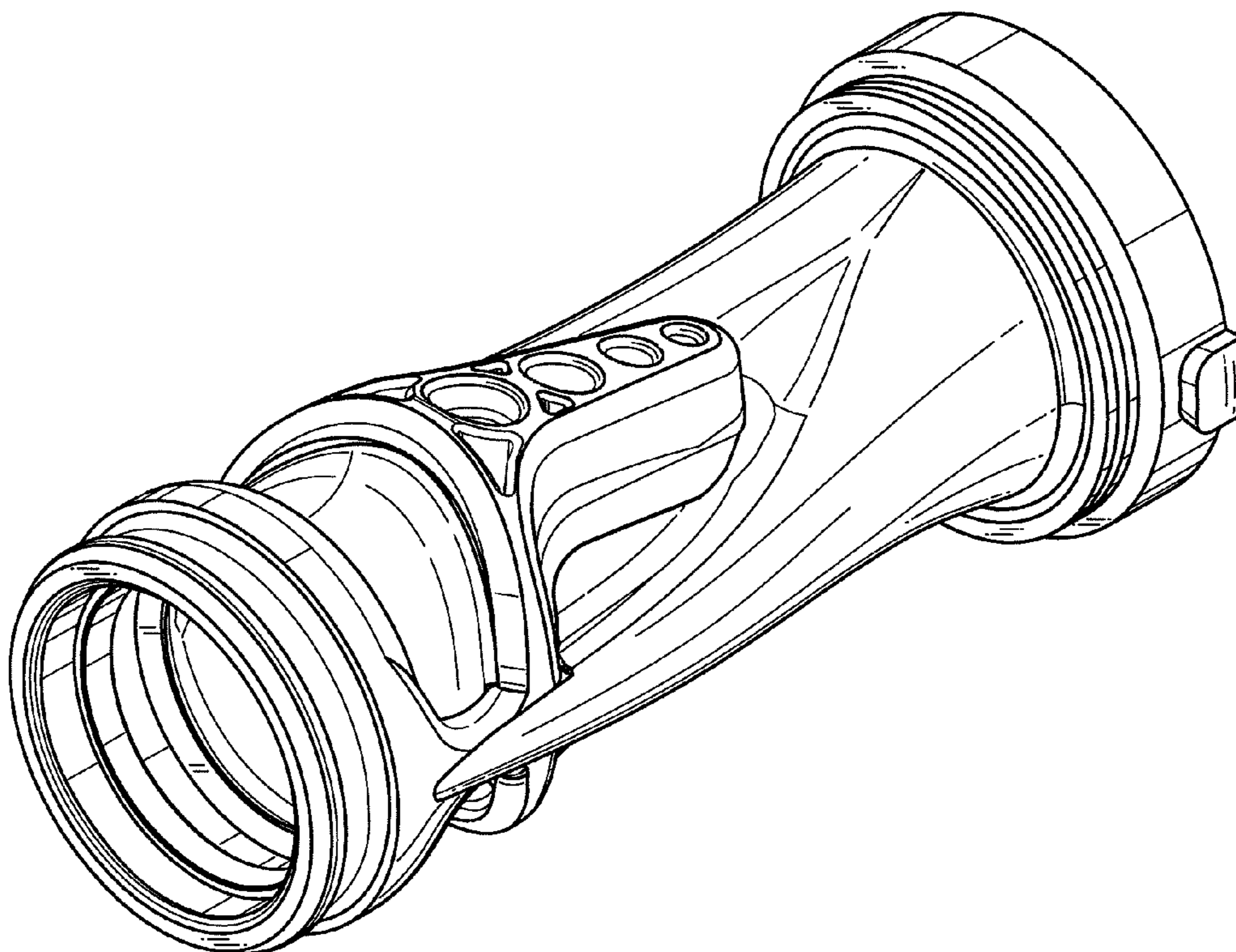
FIG. 2 is a second perspective view thereof;

FIG. 3 is a right side elevation view, the left side view being a
mirror image thereof; and,

FIG. 4 is a top view, the bottom view being a mirror image
thereof.

Portions or features of the pool cleaner component not shown
in the drawings form no part of the claimed design.

1 Claim, 4 Drawing Sheets



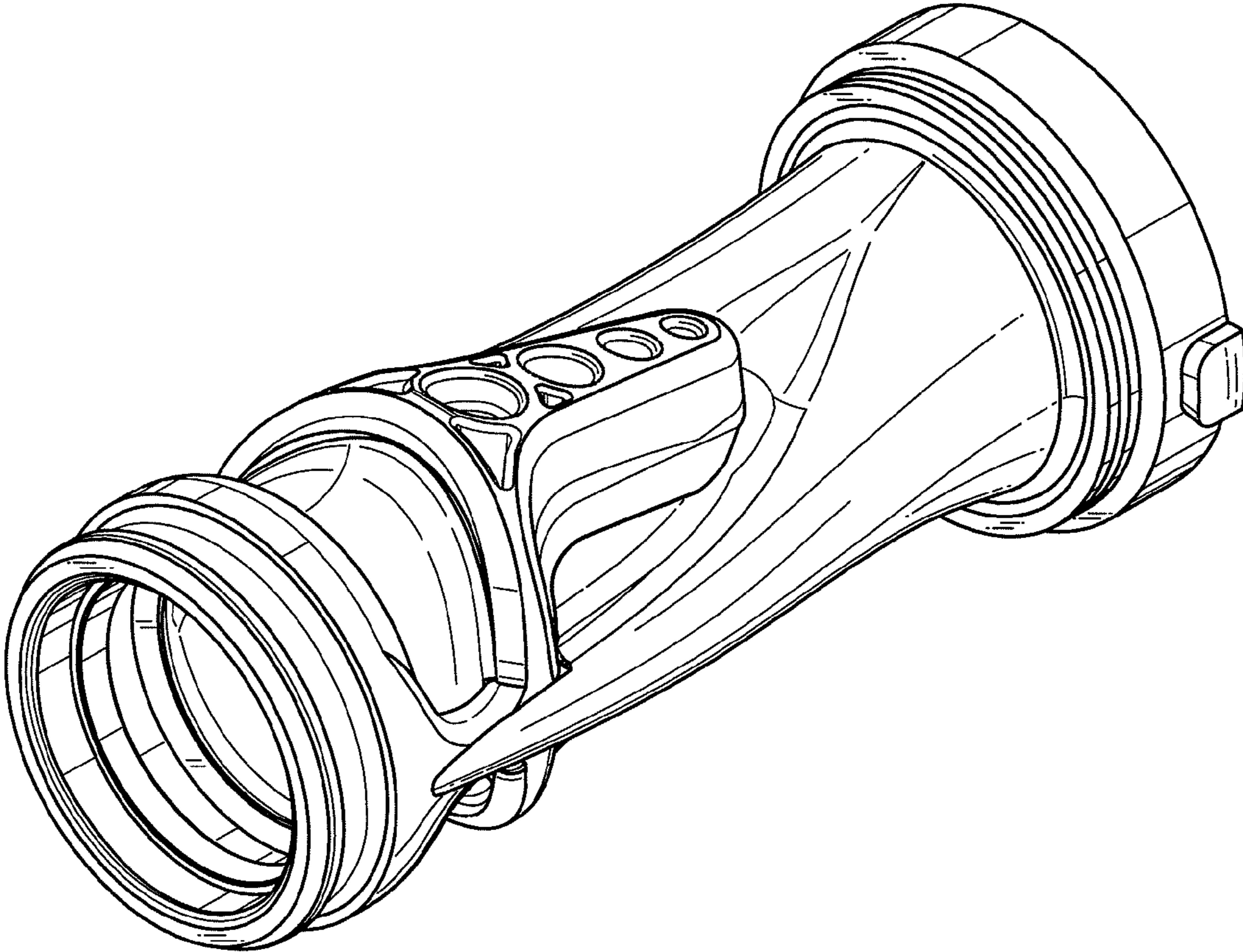


FIG. 1

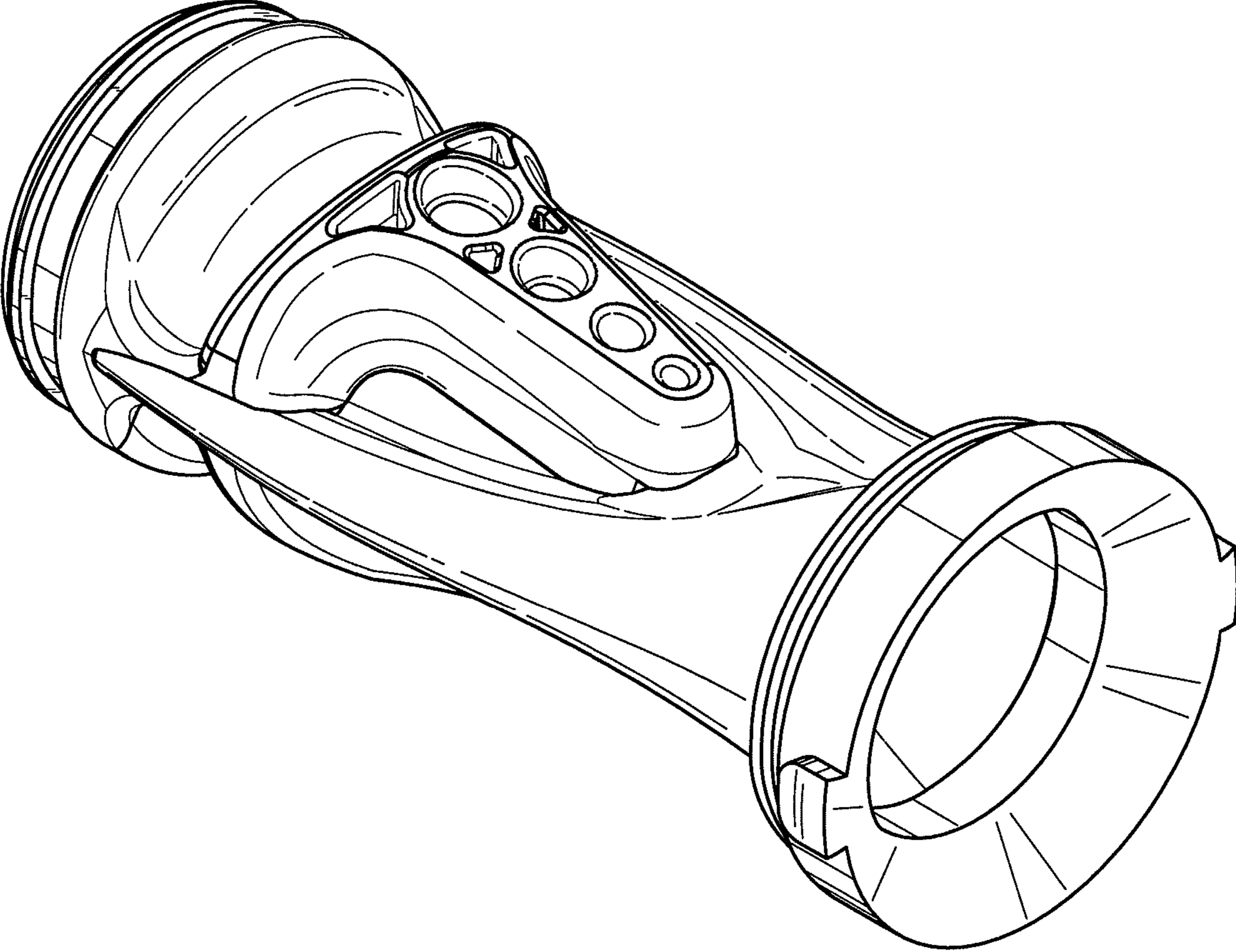


FIG. 2

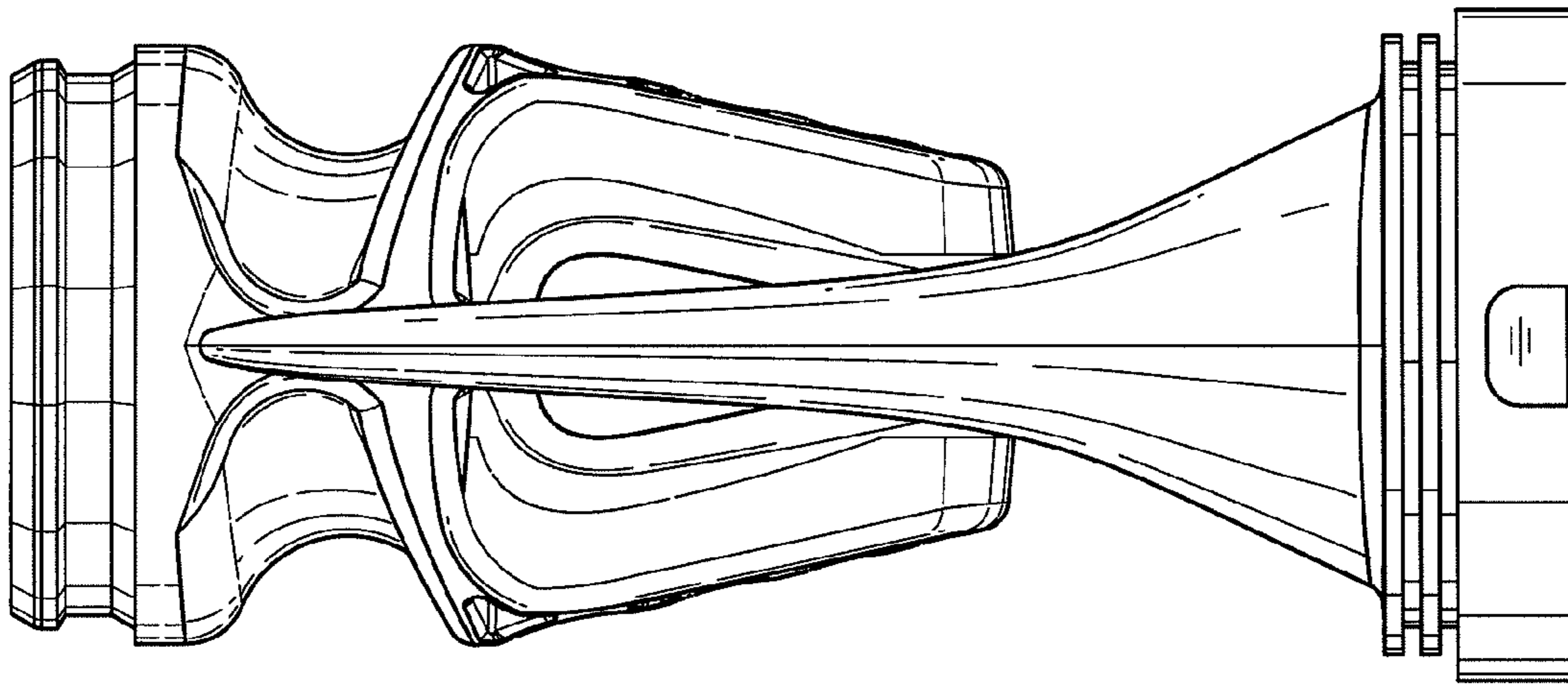


FIG. 3

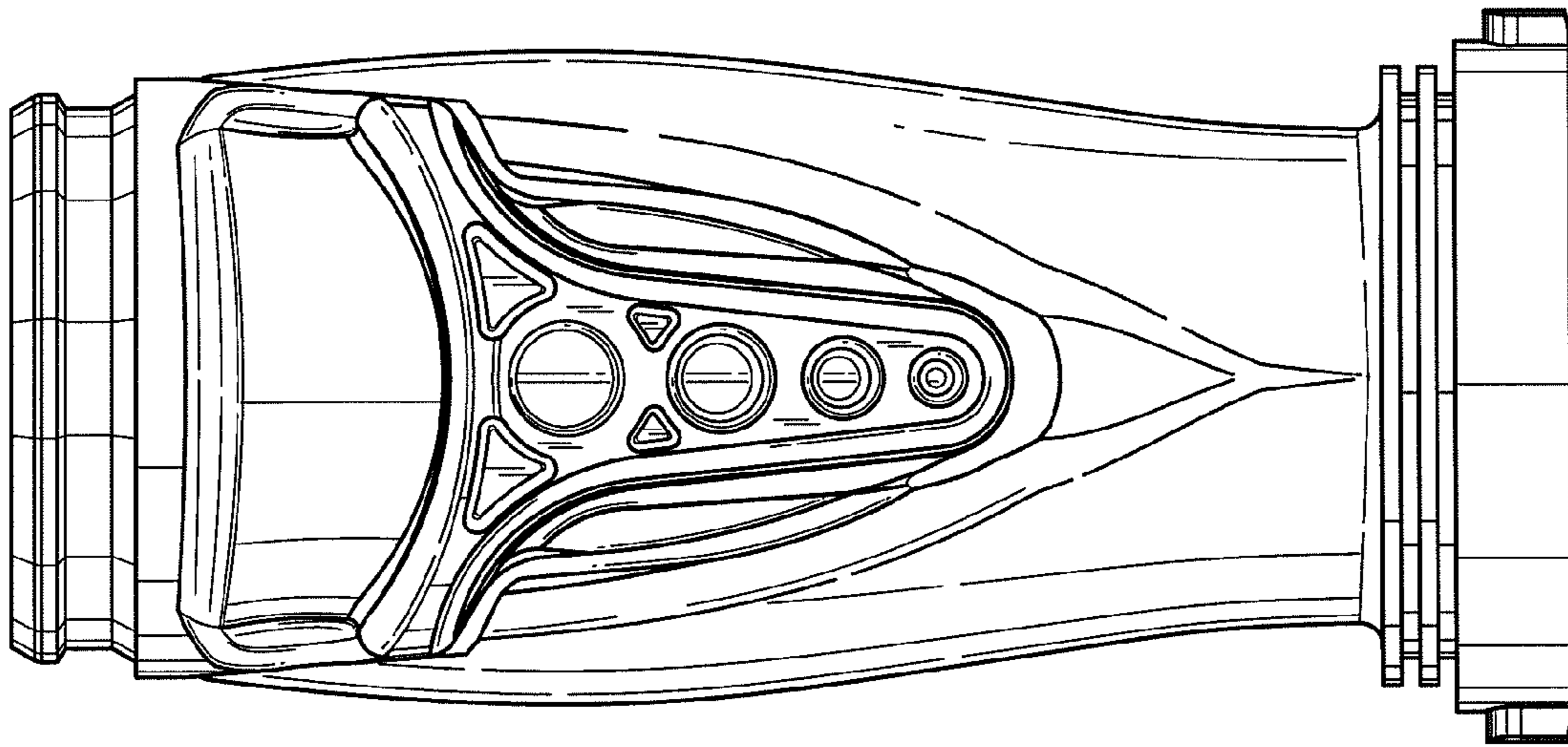


FIG. 4