



US00D575461S

(12) **United States Design Patent**
Cannon et al.

(10) **Patent No.:** **US D575,461 S**
(45) **Date of Patent:** **** Aug. 19, 2008**

(54) **PET CARRIER**

(75) Inventors: **Rachel E. Cannon**, Miami, OK (US);
Tibor Siklosi, Joplin, MO (US)

(73) Assignee: **Bergan LLC**, Monkey Island, OK (US)

(**) Term: **14 Years**

(21) Appl. No.: **29/277,830**

(22) Filed: **Mar. 9, 2007**

(51) **LOC (8) Cl.** **30-02**

(52) **U.S. Cl.** **D30/109; D3/273**

(58) **Field of Classification Search** D30/108-111,
D30/112-18, 161; 119/161, 163-169, 452-456,
119/459, 461, 472, 474-475, 482, 484-485,
119/489, 496, 473, 497-498, 500-501; D3/213-217,
D3/273, 276, 289, 301, 303

See application file for complete search history.

(56) **References Cited**

U.S. PATENT DOCUMENTS

D398,082 S *	9/1998	Martz	D30/109
D398,083 S *	9/1998	Martz	D30/109
D423,147 S *	4/2000	Farrugia	D30/109
D424,248 S *	5/2000	Sommers	D30/109
6,076,485 A *	6/2000	Peeples et al.	119/497
D442,748 S *	5/2001	Farrugia	D30/109
D444,271 S *	6/2001	Farrugia	D30/109

D447,667 S *	9/2001	Schneider et al.	D3/289
6,286,461 B1 *	9/2001	Martz	119/497
D481,539 S *	11/2003	Martz	D3/109
D523,995 S *	6/2006	Knittle	D30/109
7,210,426 B2 *	5/2007	Yeung	119/497
2002/0139314 A1 *	10/2002	Burns et al.	119/497
2003/0127060 A1 *	7/2003	Yeung	119/497

* cited by examiner

Primary Examiner—Cathy Anne MacCormac

(74) *Attorney, Agent, or Firm*—Martin & Associates, LLP

(57) **CLAIM**

The ornamental design for a pet carrier, as shown and described.

DESCRIPTION

FIG. 1 is a perspective view of a pet carrier showing our new design;

FIG. 2 is a front view thereof, the person's arm and hand shown in broken lines form no part of the claimed design;

FIG. 3 is a rear view thereof;

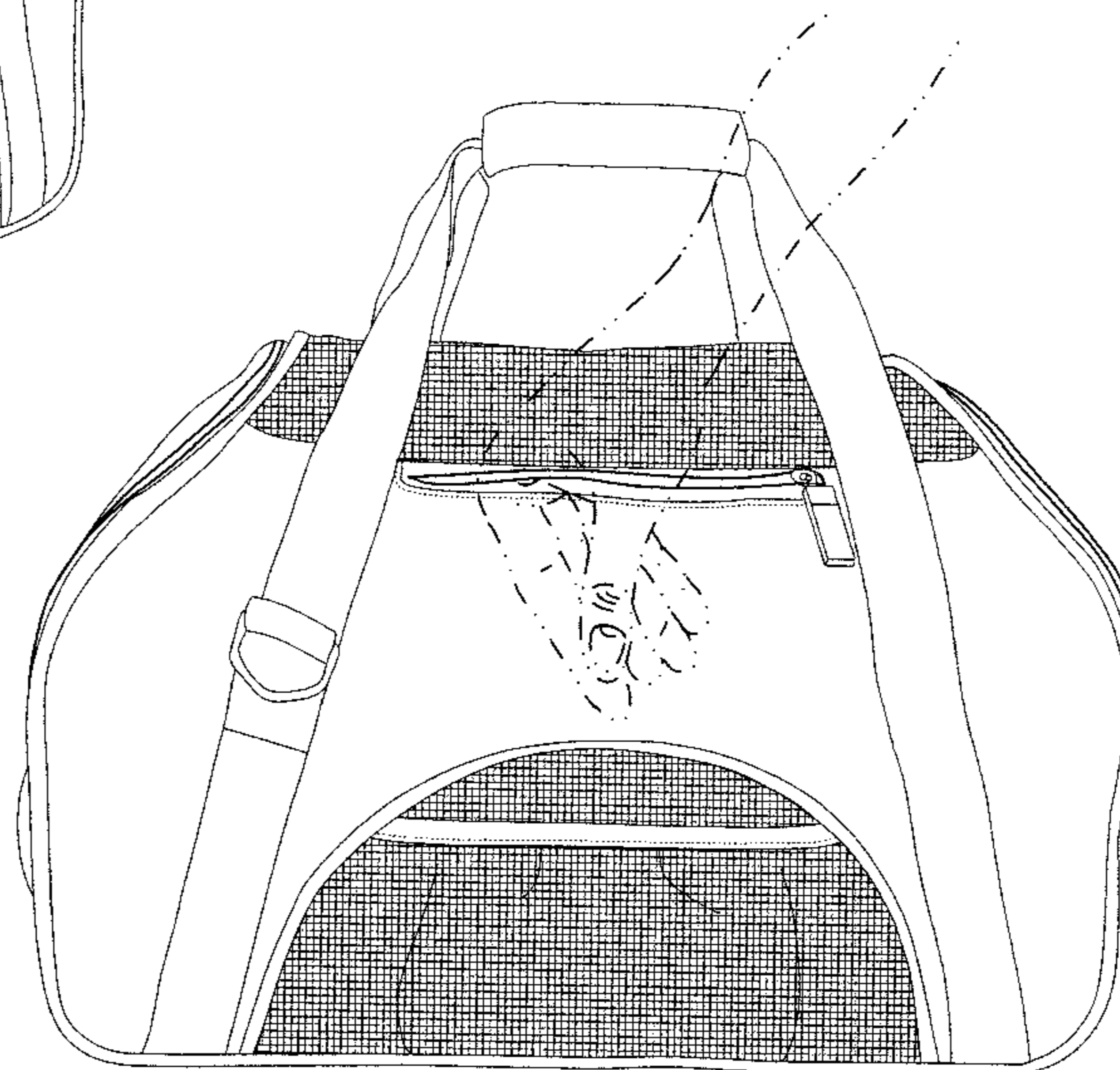
FIG. 4 is a left side view thereof;

FIG. 5 is a right side view thereof;

FIG. 6 is a top view thereof; and,

FIG. 7 is a bottom view thereof.

1 Claim, 7 Drawing Sheets



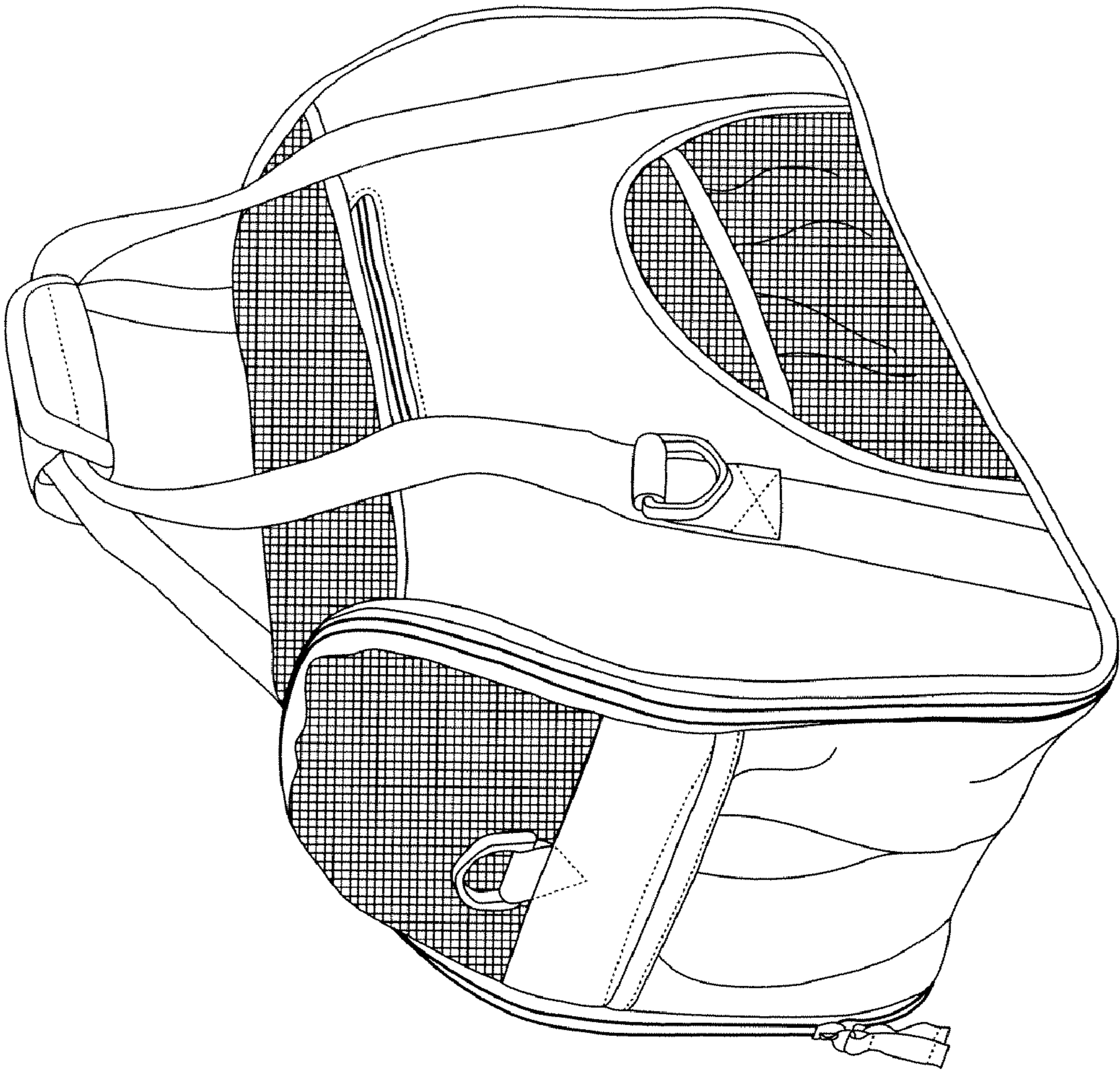


FIG. 1

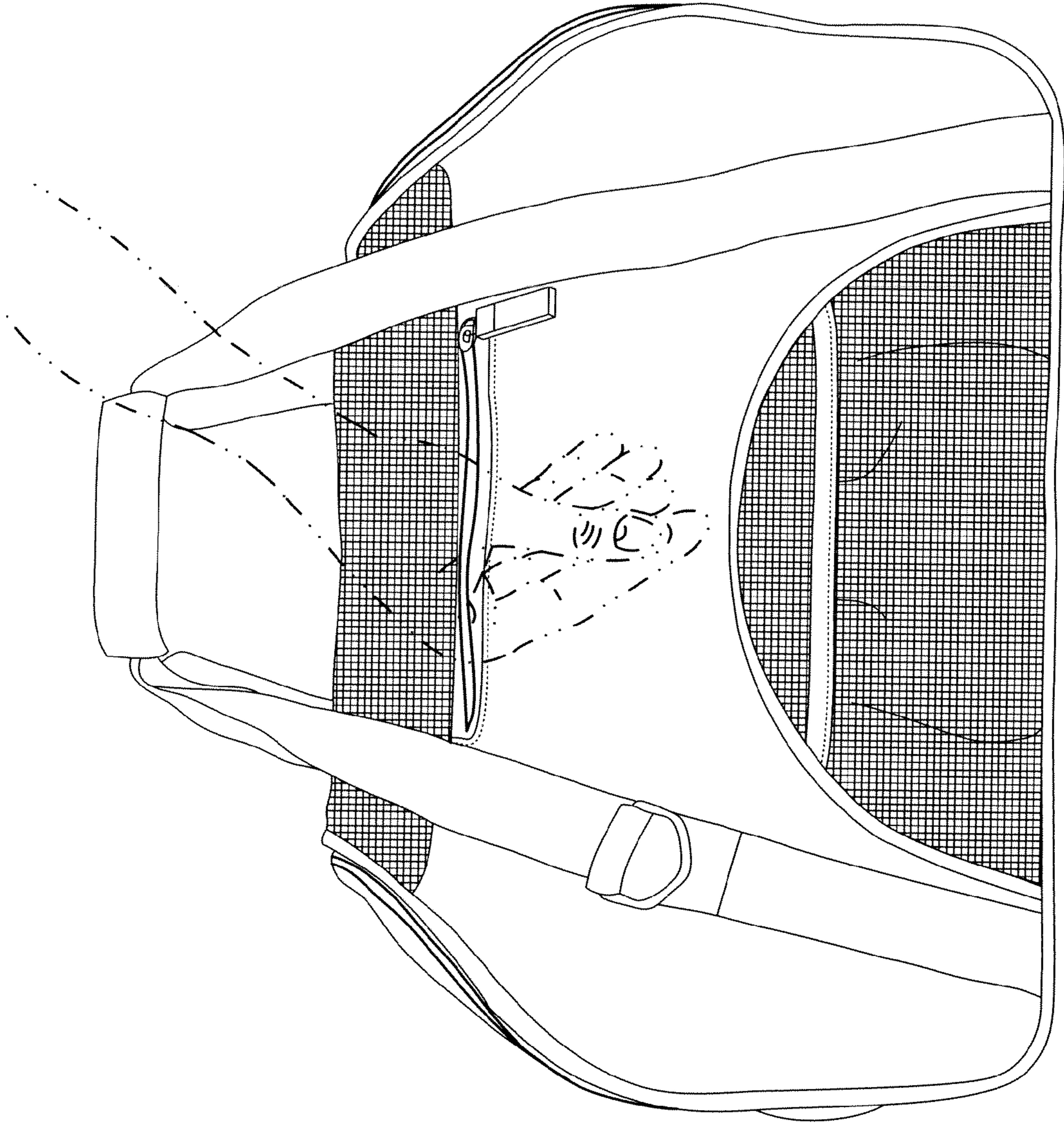


FIG. 2

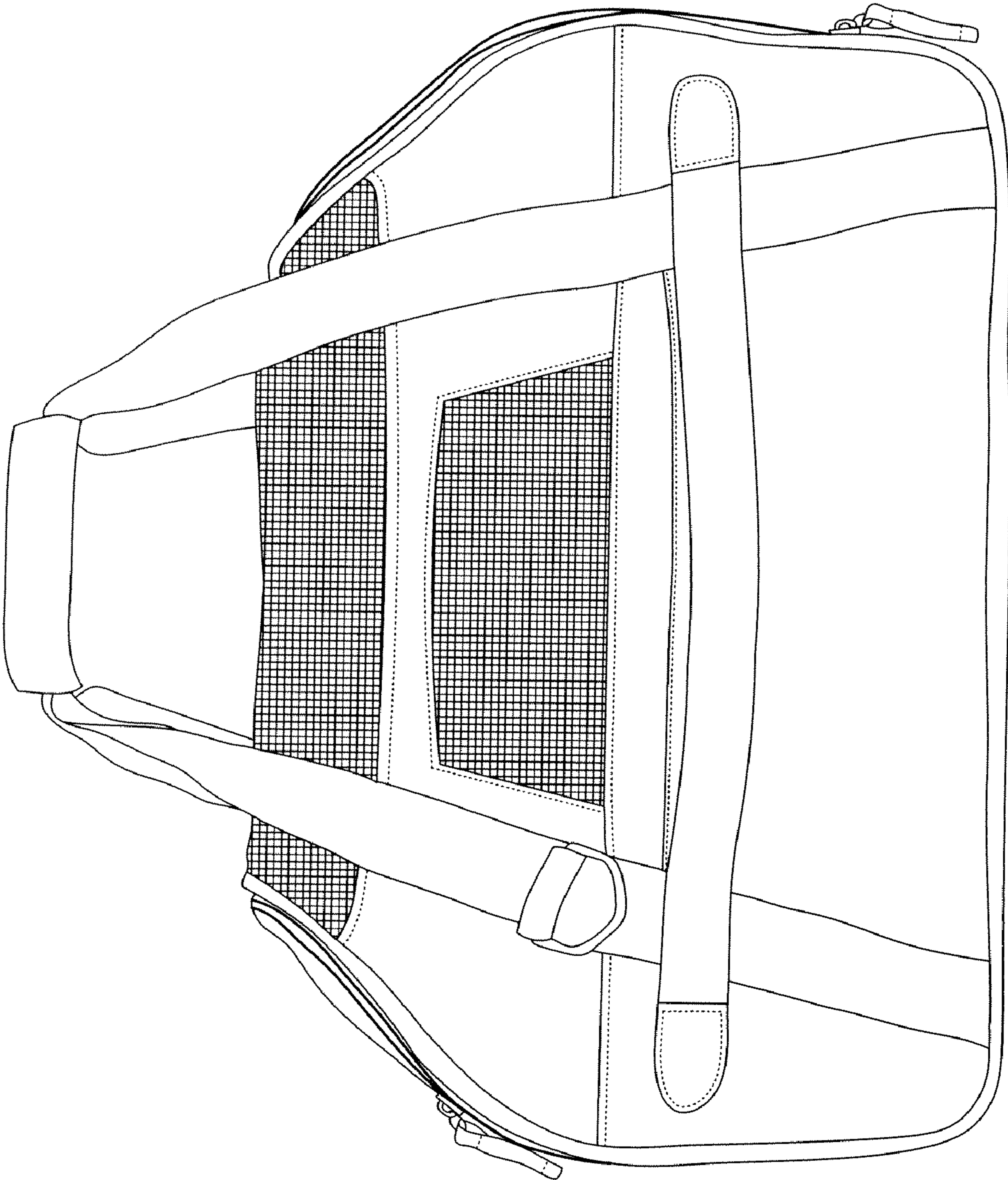


FIG. 3

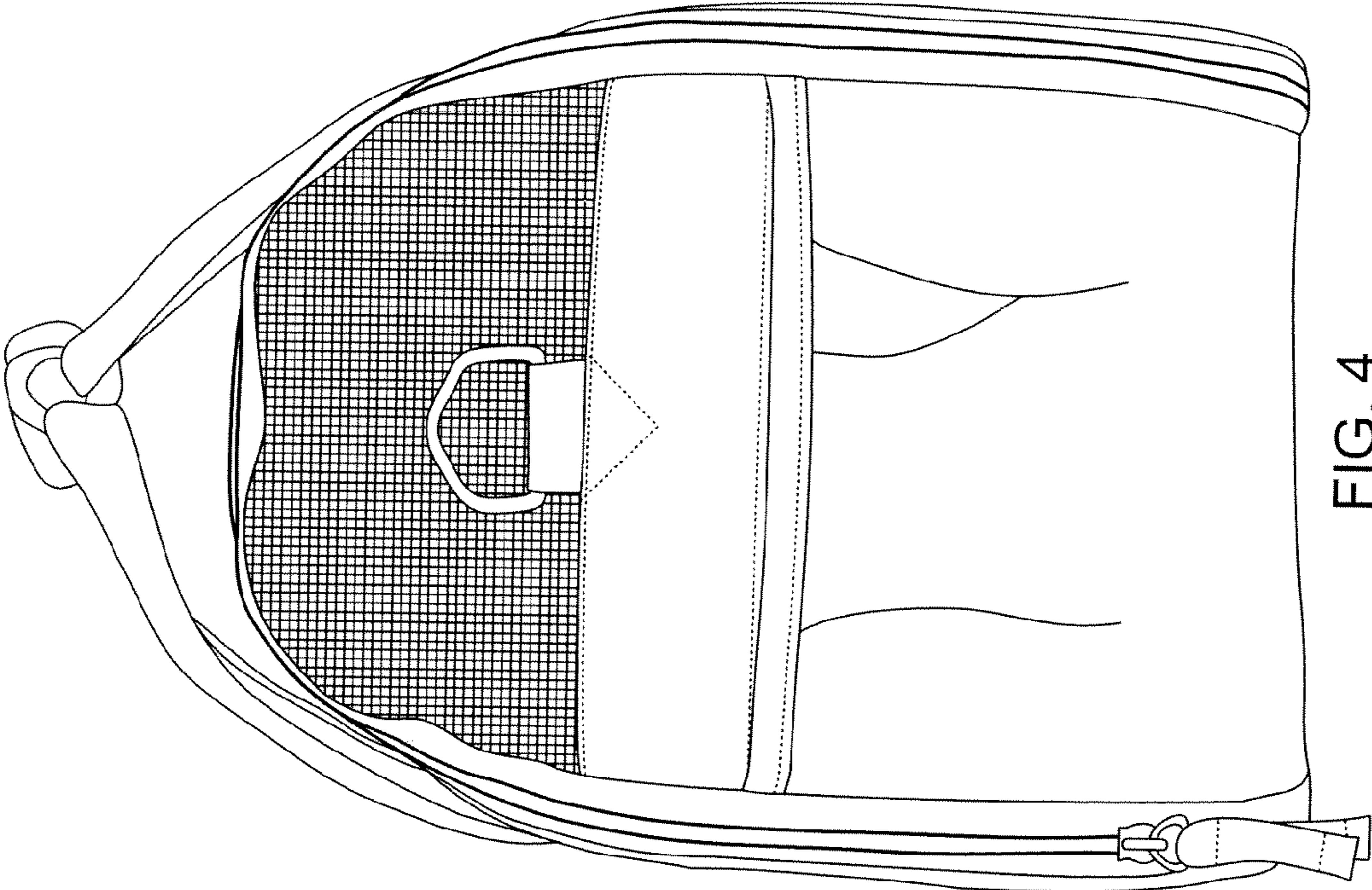


FIG. 4

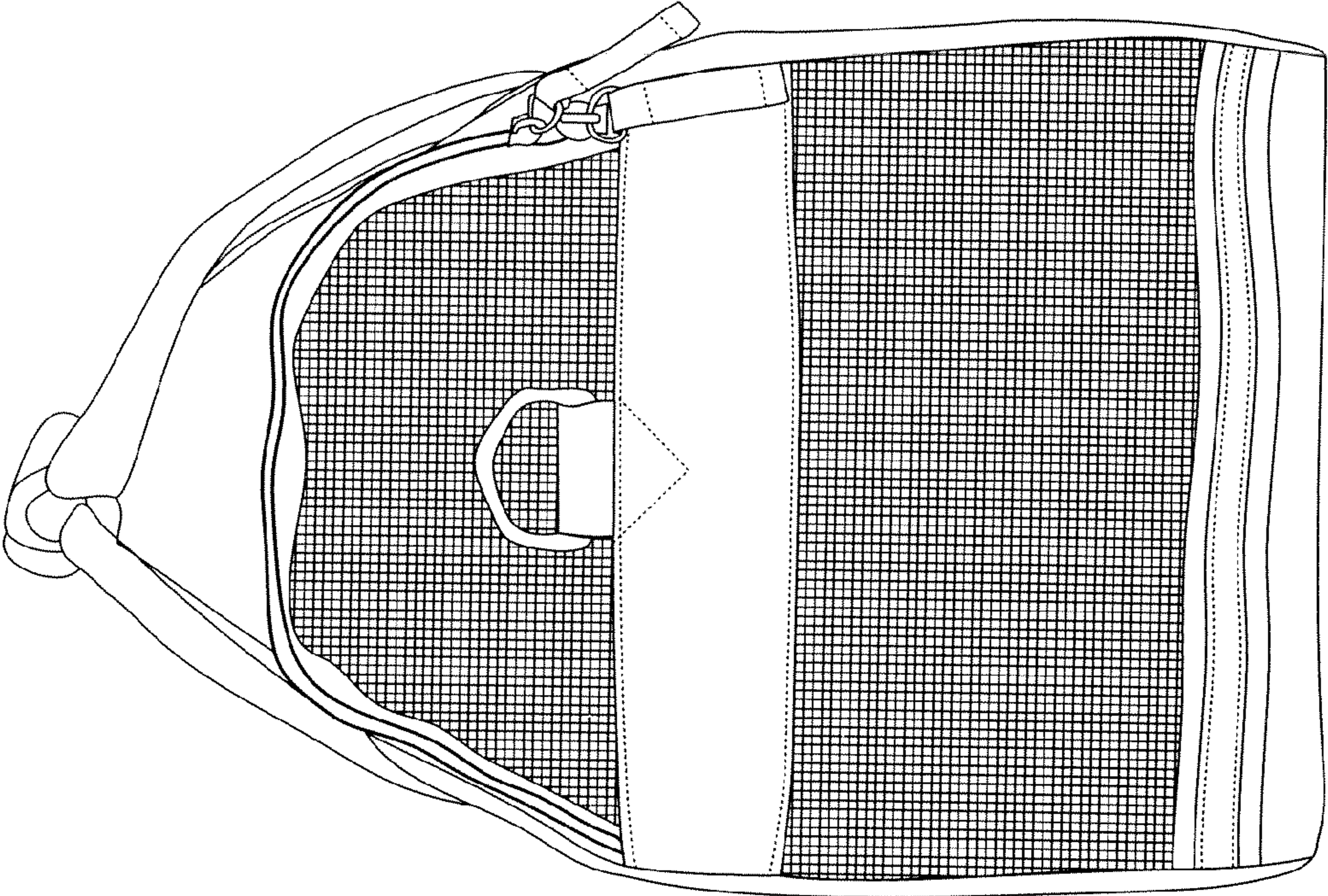


FIG. 5

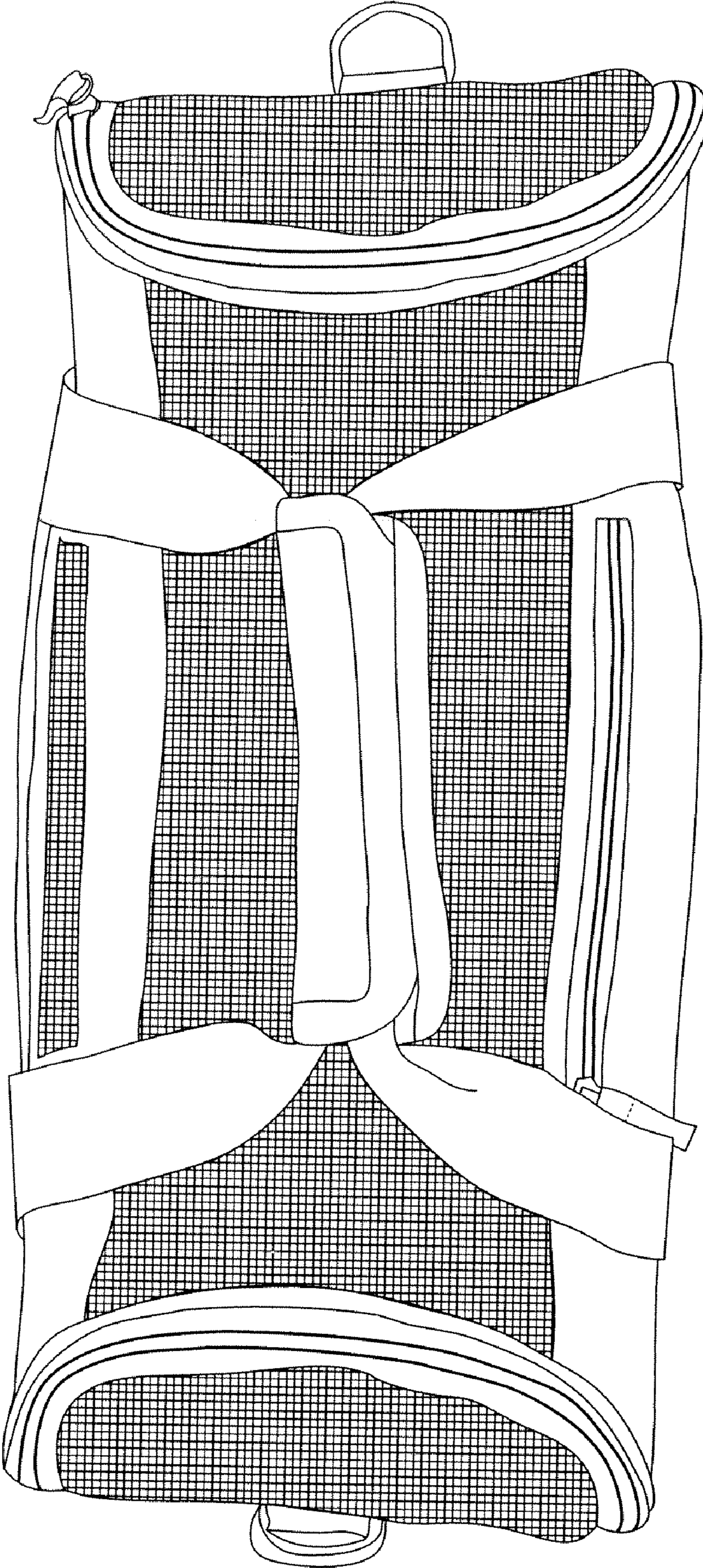


FIG. 6

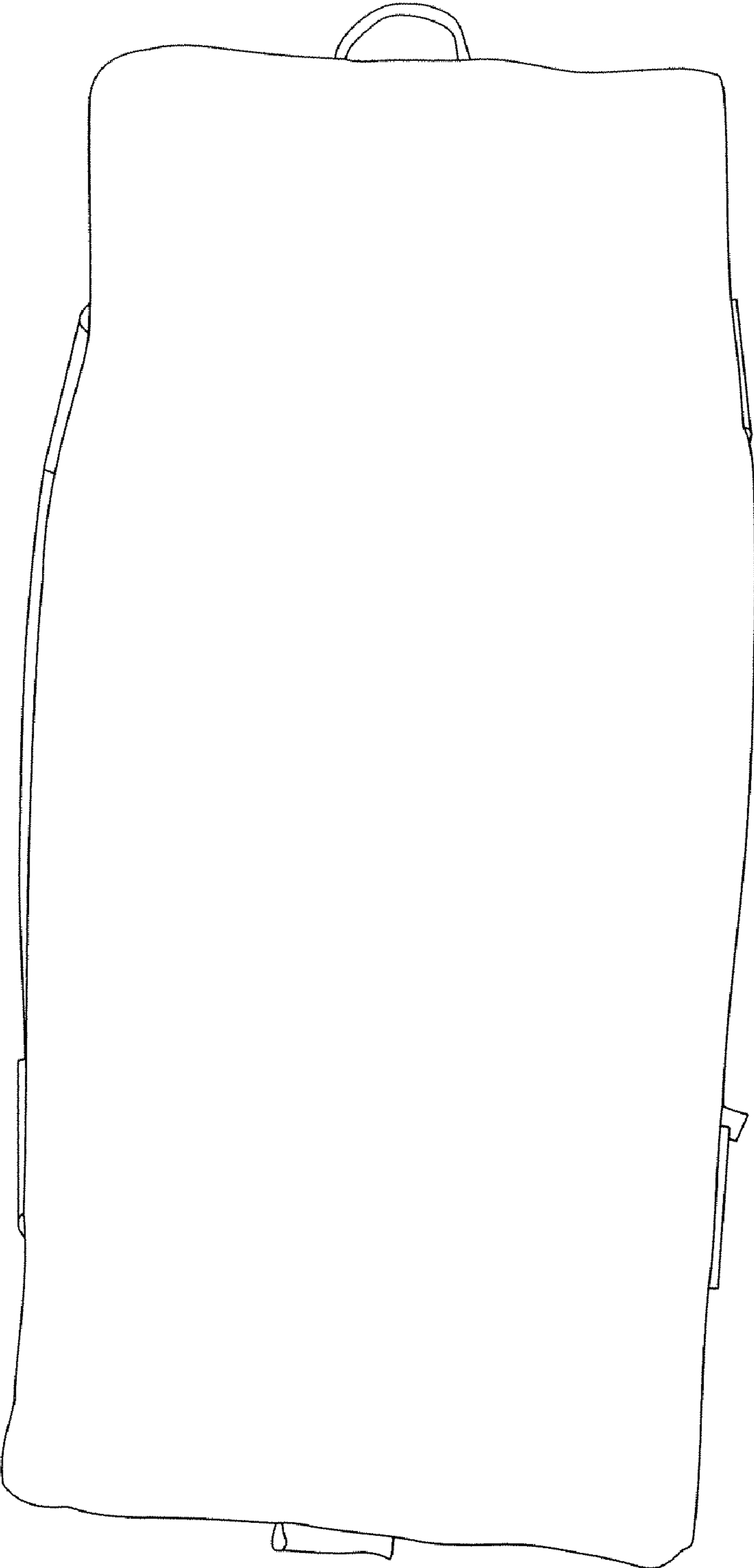


FIG. 7