



US00D575460S

(12) **United States Design Patent**
Patel

(10) **Patent No.:** **US D575,460 S**

(45) **Date of Patent:** **** Aug. 19, 2008**

(54) **MITT WITH ASYMMETRICAL POCKETS**

(76) **Inventor:** **Sapna Patel**, 3621 Frankford Rd., #731,
Dallas, TX (US) 75287

(**) **Term:** **14 Years**

(21) **Appl. No.:** **29/284,686**

(22) **Filed:** **Sep. 13, 2007**

(51) **LOC (8) Cl.** **02-06**

(52) **U.S. Cl.** **D29/118**

(58) **Field of Classification Search** D2/610,
D2/614, 622-623; D29/113, 118, 119, 123;
2/1, 455, 16, 158, 908, 917; D24/190; D28/63;
D32/40, 43; 15/227, 104.94, 107; D4/134
See application file for complete search history.

(56) **References Cited**

U.S. PATENT DOCUMENTS

1,279,855	A	9/1918	Garvey	
1,990,553	A *	2/1935	Hirsch et al.	2/20
2,187,430	A	1/1940	Olmsted	
3,181,198	A	5/1965	Stelzen	
3,600,716	A	8/1971	Berry	
D225,139	S	11/1972	Vennettilli	
4,628,544	A	12/1986	Erickson	
4,682,803	A	7/1987	Andrews	
6,145,128	A *	11/2000	Suzuki	2/21
D470,980	S *	2/2003	Bignon et al.	D29/118
6,532,597	B2	3/2003	Bignon et al.	

D477,690	S *	7/2003	Howell et al.	D29/118
D504,544	S *	4/2005	Lee	D29/118
7,117,536	B2 *	10/2006	Burnett et al.	2/16
7,165,270	B2 *	1/2007	DeYoung et al.	2/16
2003/0126669	A1	7/2003	Bignon et al.	
2005/0114983	A1	6/2005	Demay et al.	
2005/0177923	A1	8/2005	Simic	
2005/0278827	A1	12/2005	Price et al.	
2006/0080757	A1	4/2006	Beyda	

* cited by examiner

Primary Examiner—Raphael Barkai

Assistant Examiner—Randall H Gholson

(74) *Attorney, Agent, or Firm*—Daniel V. Thompson

(57) **CLAIM**

The ornamental design for a mitt with asymmetrical pockets, as shown and described.

DESCRIPTION

FIG. 1 is a perspective view of the mitt with asymmetrical pockets showing my new design;

FIG. 2 is a front elevational view thereof;

FIG. 3 is a rear elevational view thereof;

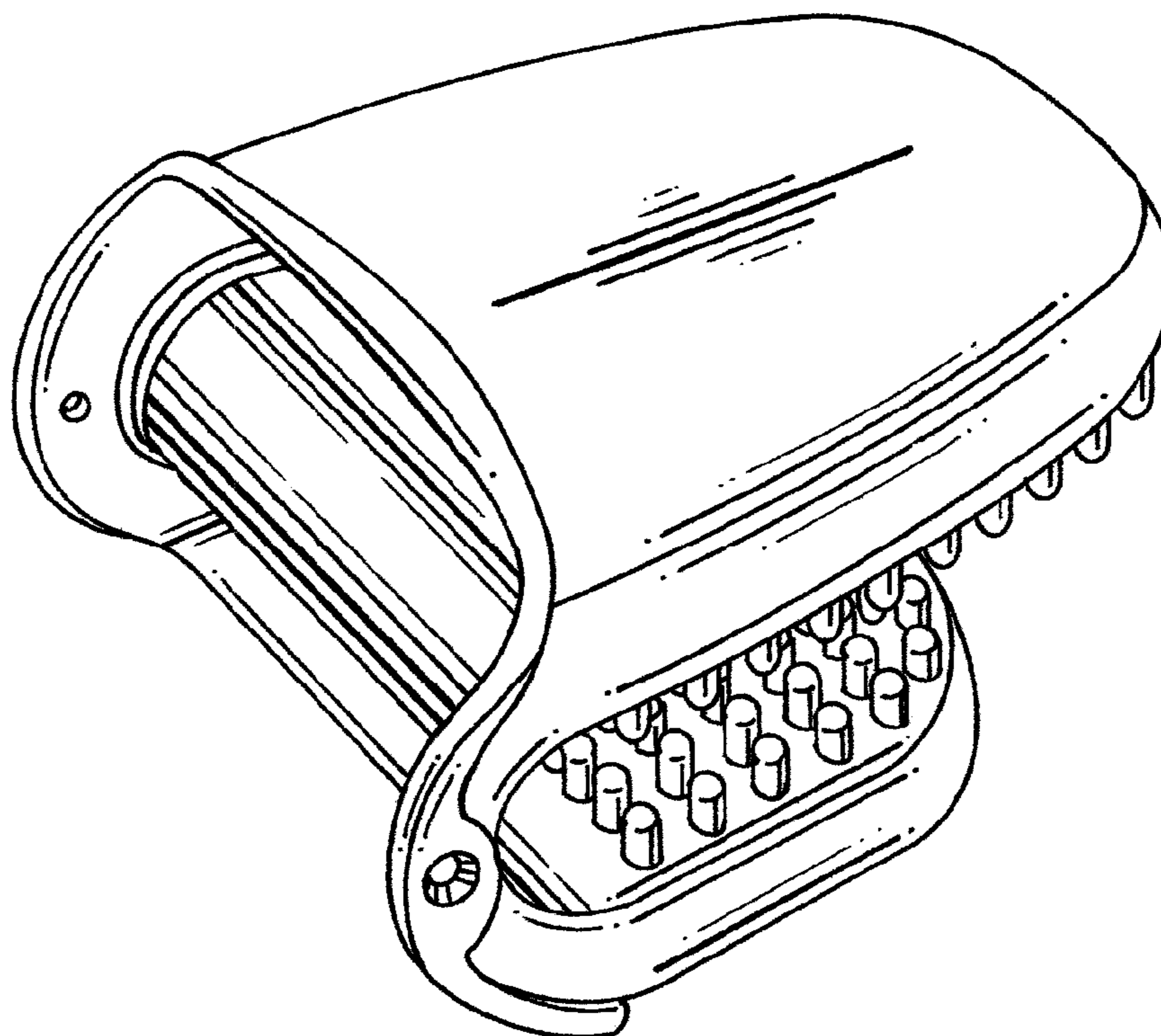
FIG. 4 is a left side elevational view thereof;

FIG. 5 is a right side elevational view thereof;

FIG. 6 is a top plan view thereof; and,

FIG. 7 is a bottom plan view thereof.

1 Claim, 4 Drawing Sheets



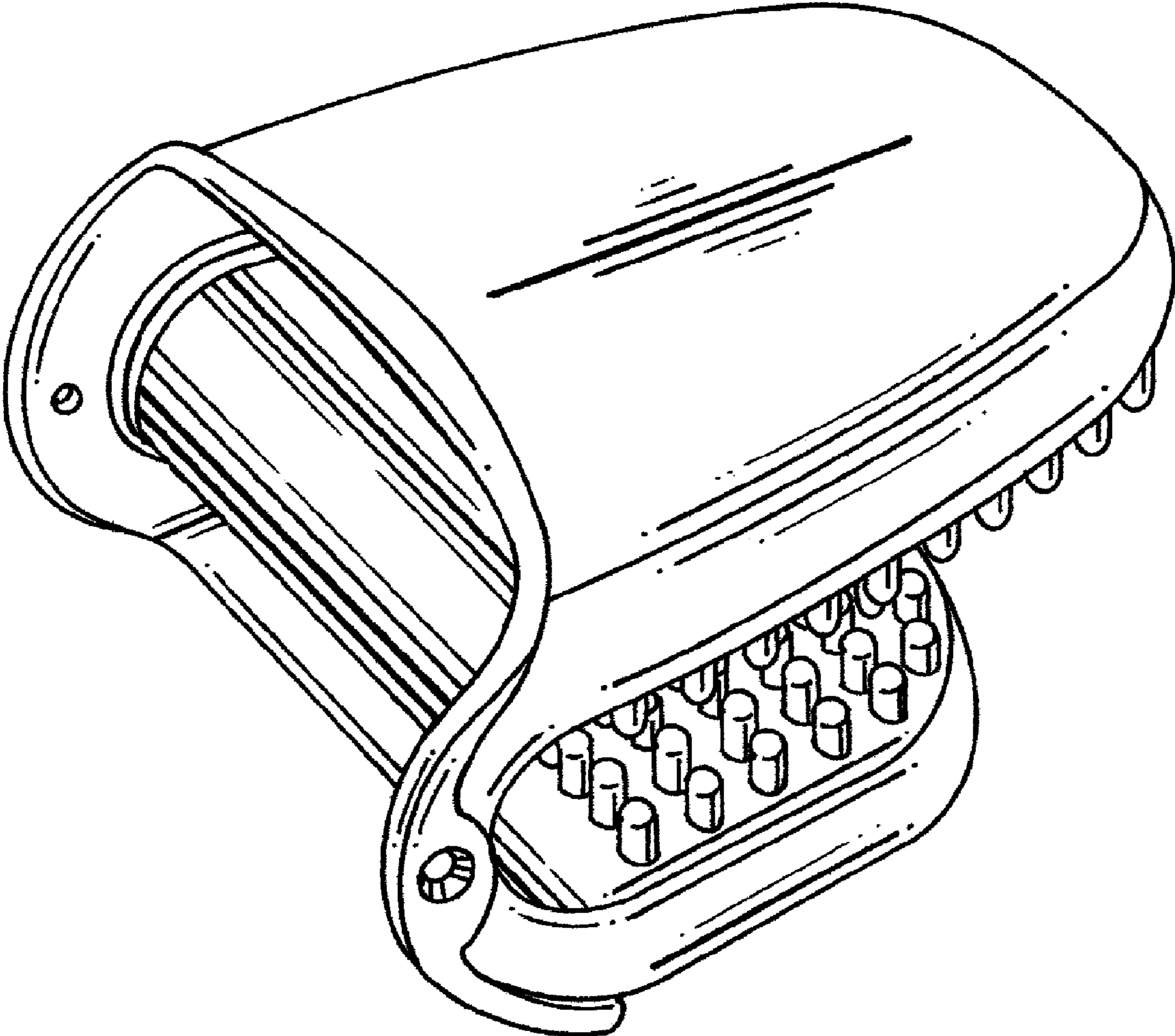


FIG. 1

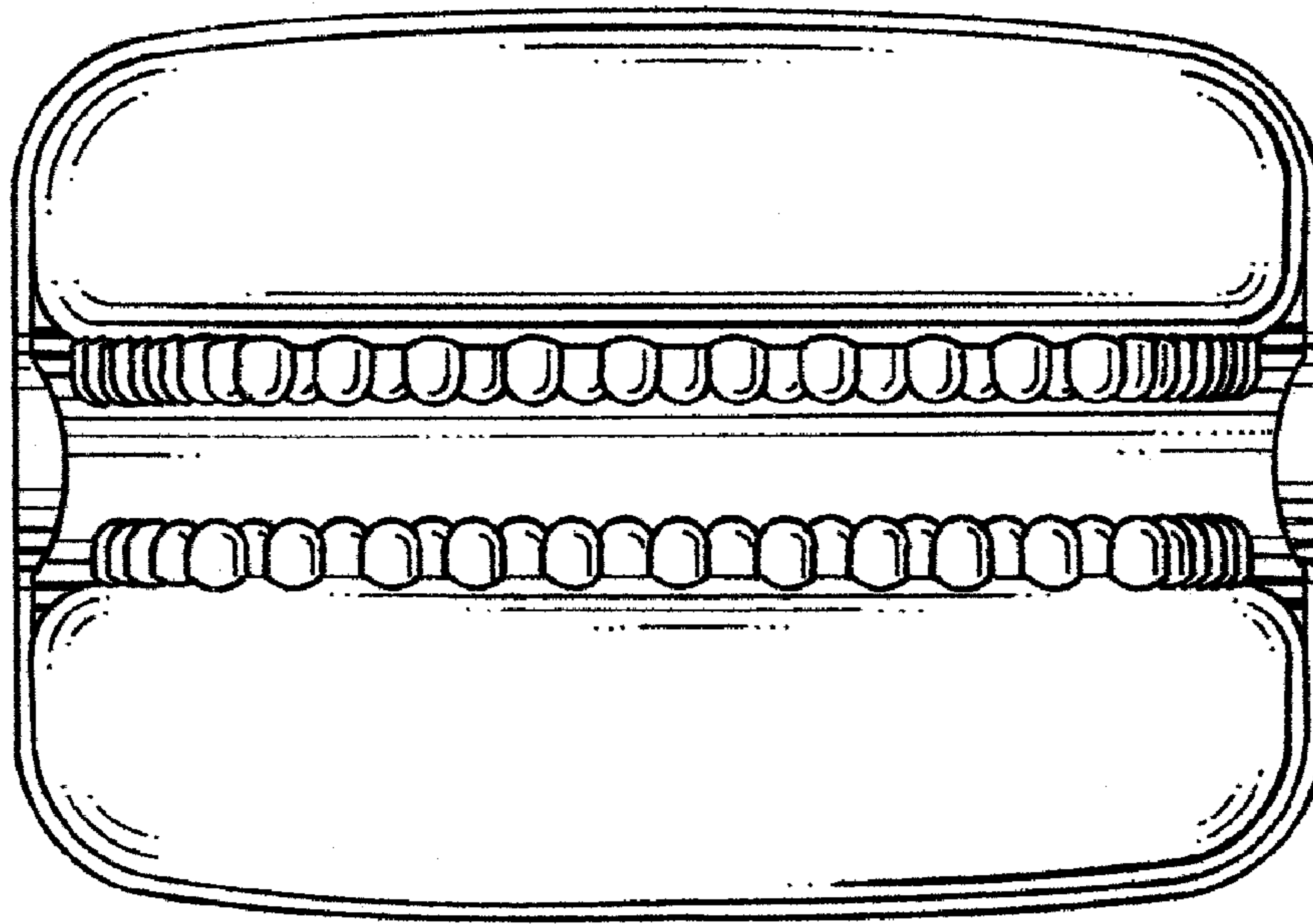


FIG. 2

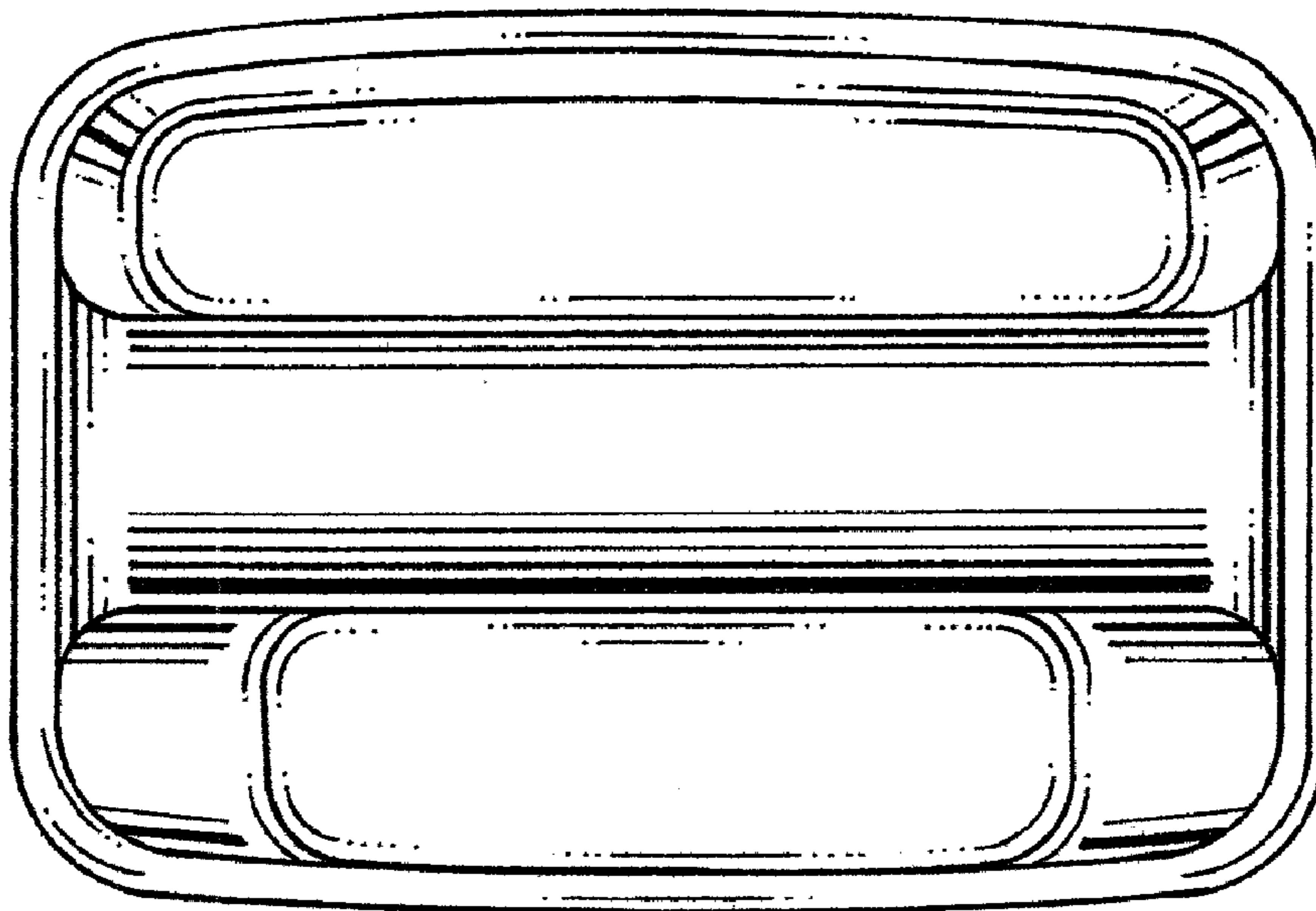


FIG. 3

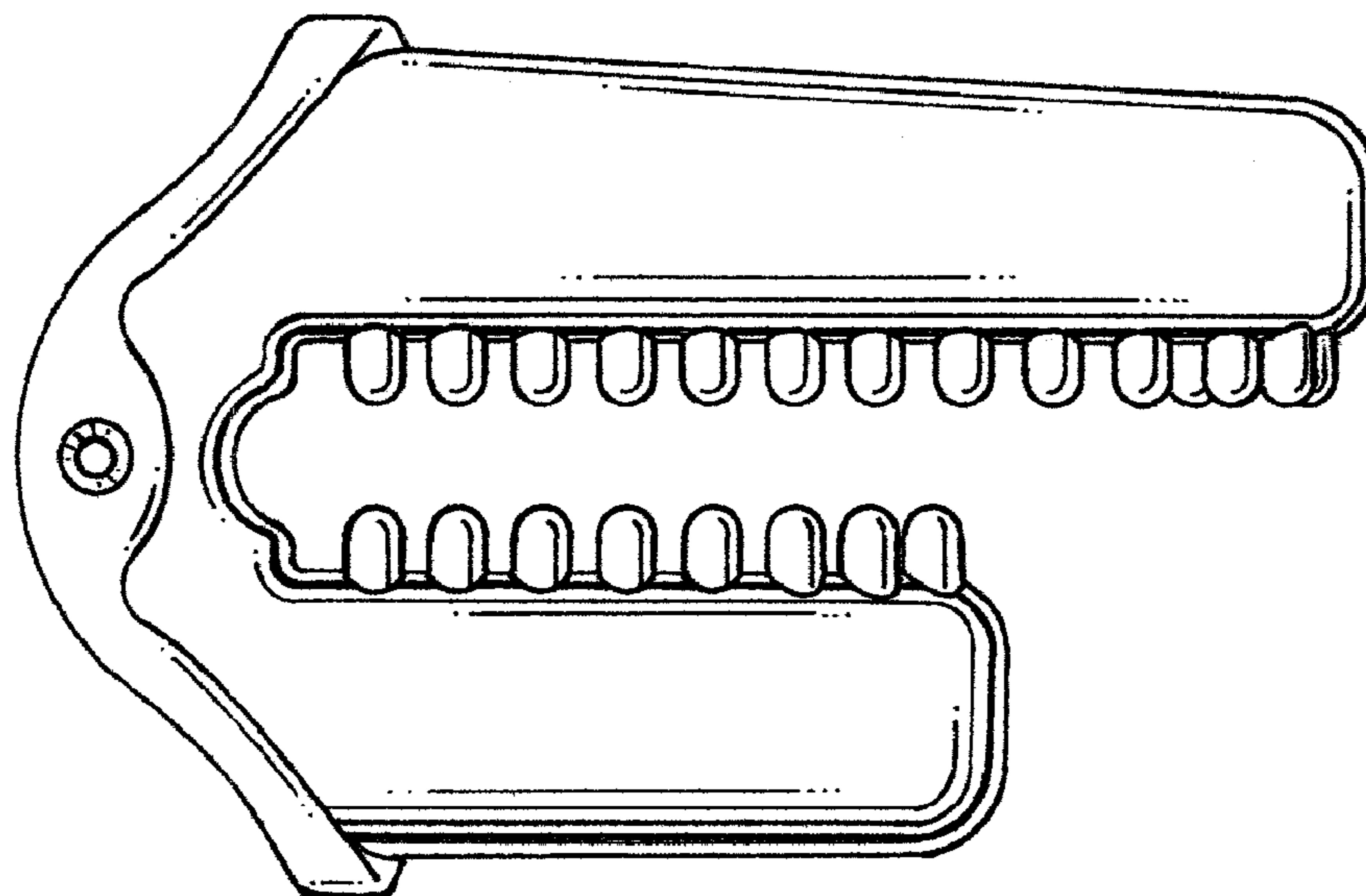


FIG. 4

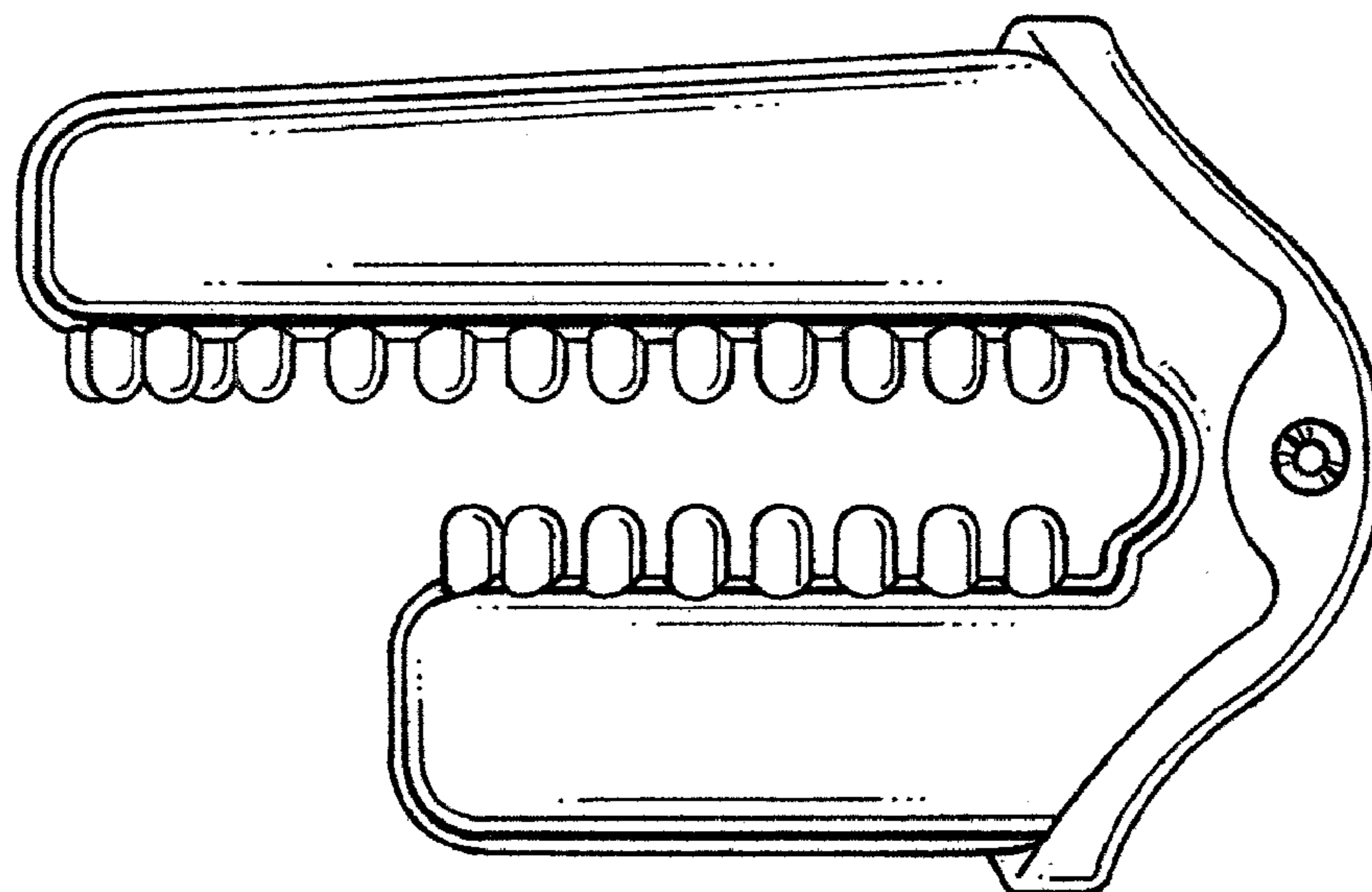


FIG. 5

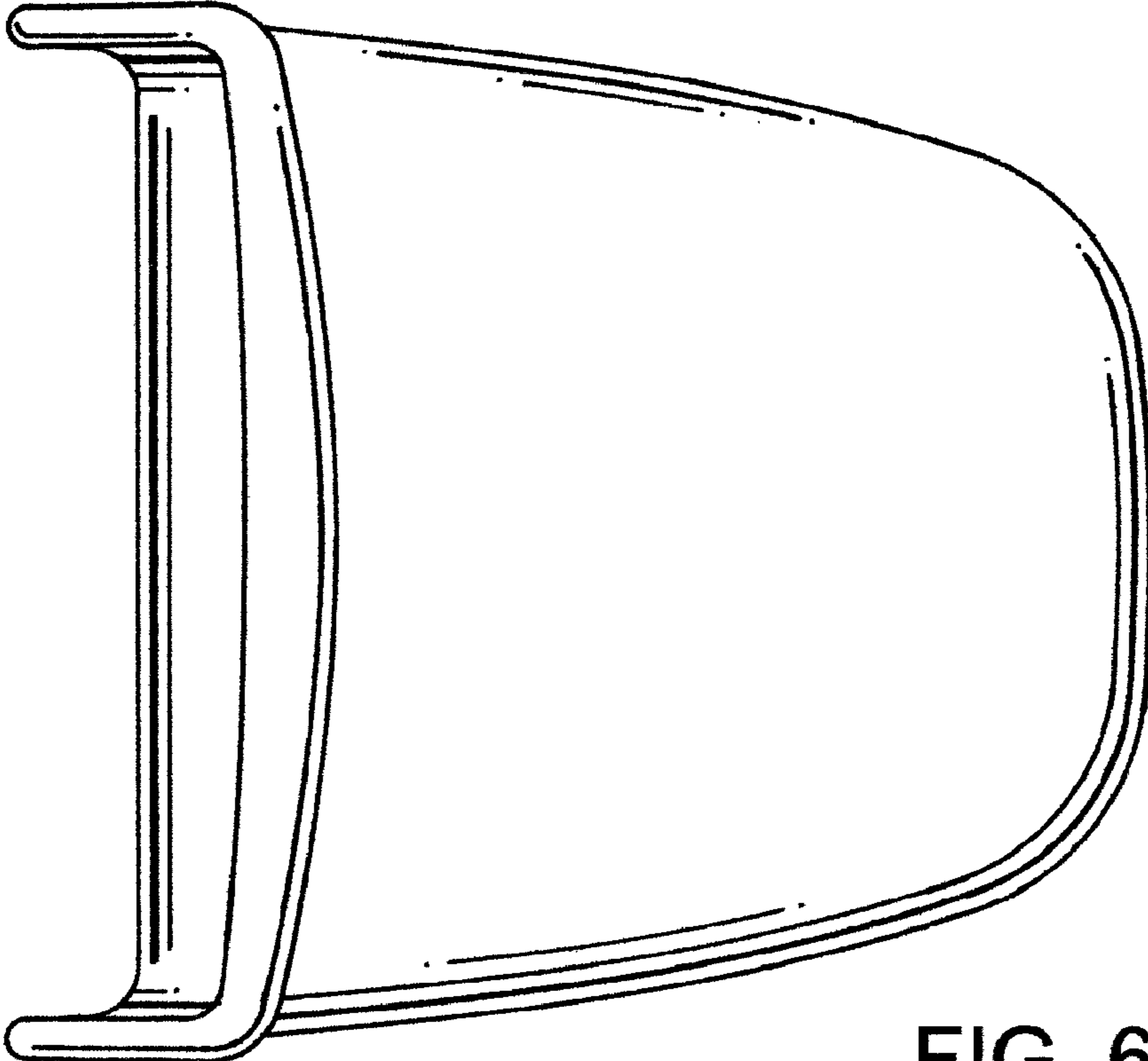


FIG. 6

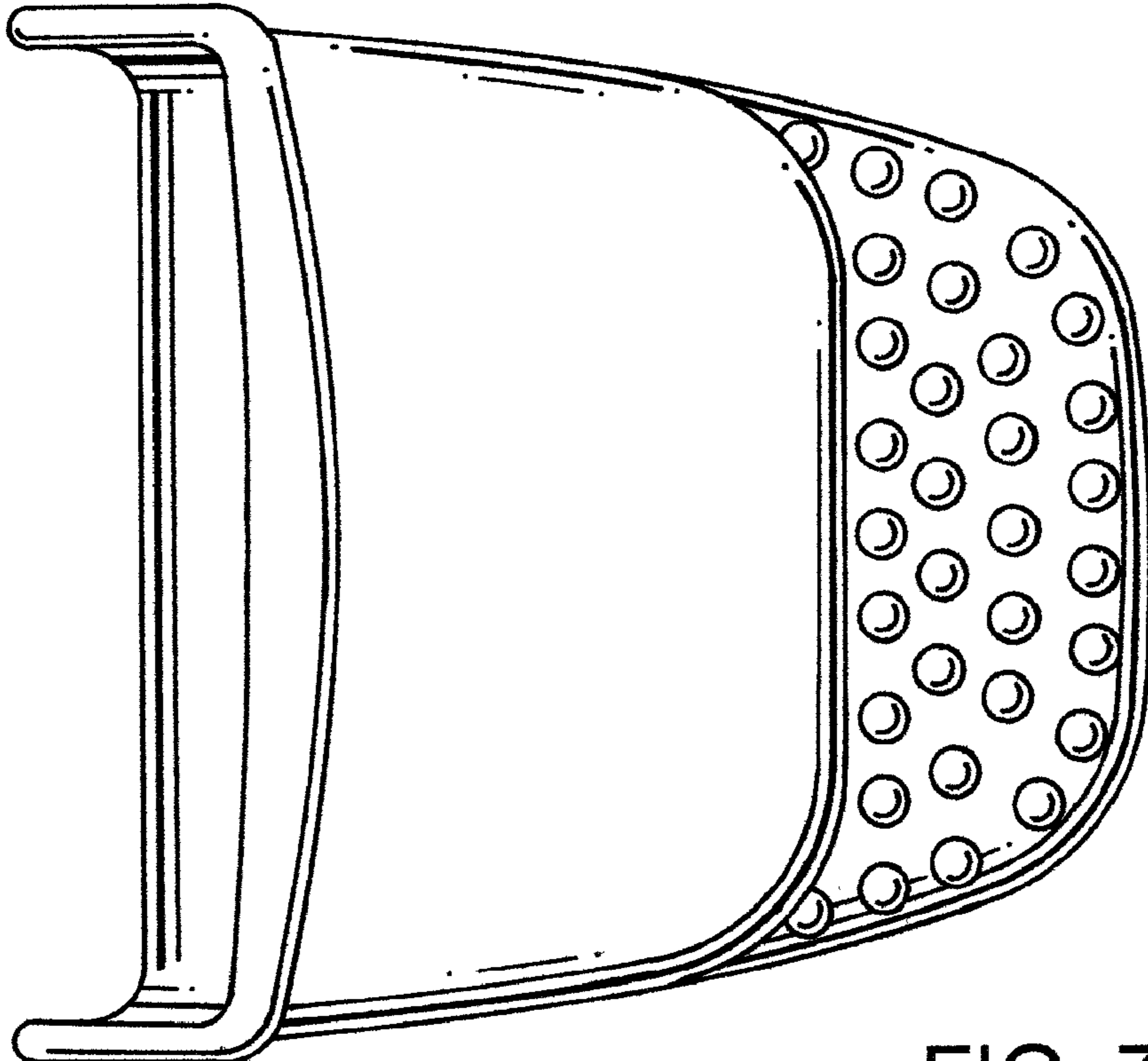


FIG. 7