



US00D575453S

(12) **United States Design Patent**  
**Overend**

(10) **Patent No.:** **US D575,453 S**

(45) **Date of Patent:** **\*\* Aug. 19, 2008**

(54) **HAIR IRON**

(75) Inventor: **Paul Overend**, Riddlesden (GB)

(73) Assignee: **Jemella Limited**, Silsden (GB)

(\*\*) Term: **14 Years**

(21) Appl. No.: **29/280,972**

(22) Filed: **Jun. 12, 2007**

**Related U.S. Application Data**

(63) Continuation-in-part of application No. 29/246,625, filed on Apr. 27, 2006, now Pat. No. Des. 544,646.

(30) **Foreign Application Priority Data**

Nov. 8, 2005 (EM) ..... 429501-0001  
Nov. 8, 2005 (EM) ..... 429501-0002

(51) **LOC (8) Cl.** ..... **28-03**

(52) **U.S. Cl.** ..... **D28/35**

(58) **Field of Classification Search** ..... D28/35;  
219/225, 230; 132/223, 224, 232, 269

See application file for complete search history.

(56) **References Cited**

**U.S. PATENT DOCUMENTS**

D485,011 S \* 1/2004 Nam ..... D28/35  
D511,023 S \* 10/2005 Cho ..... D28/35  
D535,437 S \* 1/2007 Ceva ..... D28/35  
2006/0196523 A1\* 9/2006 Choi ..... 132/224

**FOREIGN PATENT DOCUMENTS**

DE 19907721 A1 3/2000  
EP 0352879 A2 1/1990  
EP 1112701 A1 7/2001

EP 1402798 A1 3/2004  
GB 2123286 A 2/1984  
WO 9939608 A1 8/1999  
WO 03039290 A2 5/2003  
WO 03056971 A1 7/2003  
WO 2004073446 A2 9/2004

**OTHER PUBLICATIONS**

NeoCurl Cordless Straightener -Retrieved online Sep. 11, 2007 from Internet Archive website using Internet URL: [http://www.web.archive.org/web/20060820075906/http://www.hairstuffdirect.co.uk/prod\\_neocurl.htm](http://www.web.archive.org/web/20060820075906/http://www.hairstuffdirect.co.uk/prod_neocurl.htm). Last access to this website was retrieved online Sep. 26, 2006 from Salon Creative Pro [SCP] website using Internet URL: [http://www.hairstuffdirect.co.uk/prod\\_neocurl.htm](http://www.hairstuffdirect.co.uk/prod_neocurl.htm).  
Global Beauty Ceramic Hair Straightener-Retrieved online Sep. 11, 2007 from folica.com website using Internet URL: [http://www.folica.com/Global\\_Beauty\\_C\\_d1564.html](http://www.folica.com/Global_Beauty_C_d1564.html). Last access to this website was retrieved online Sep. 26, 2006 from folica.com website using Internet URL: [http://www.folica.com/Global\\_Beauty\\_C\\_d1564.html](http://www.folica.com/Global_Beauty_C_d1564.html).

\* cited by examiner

*Primary Examiner*—Jennifer Rivard

(74) *Attorney, Agent, or Firm*—Adams Intellectual Property Law, P.A.

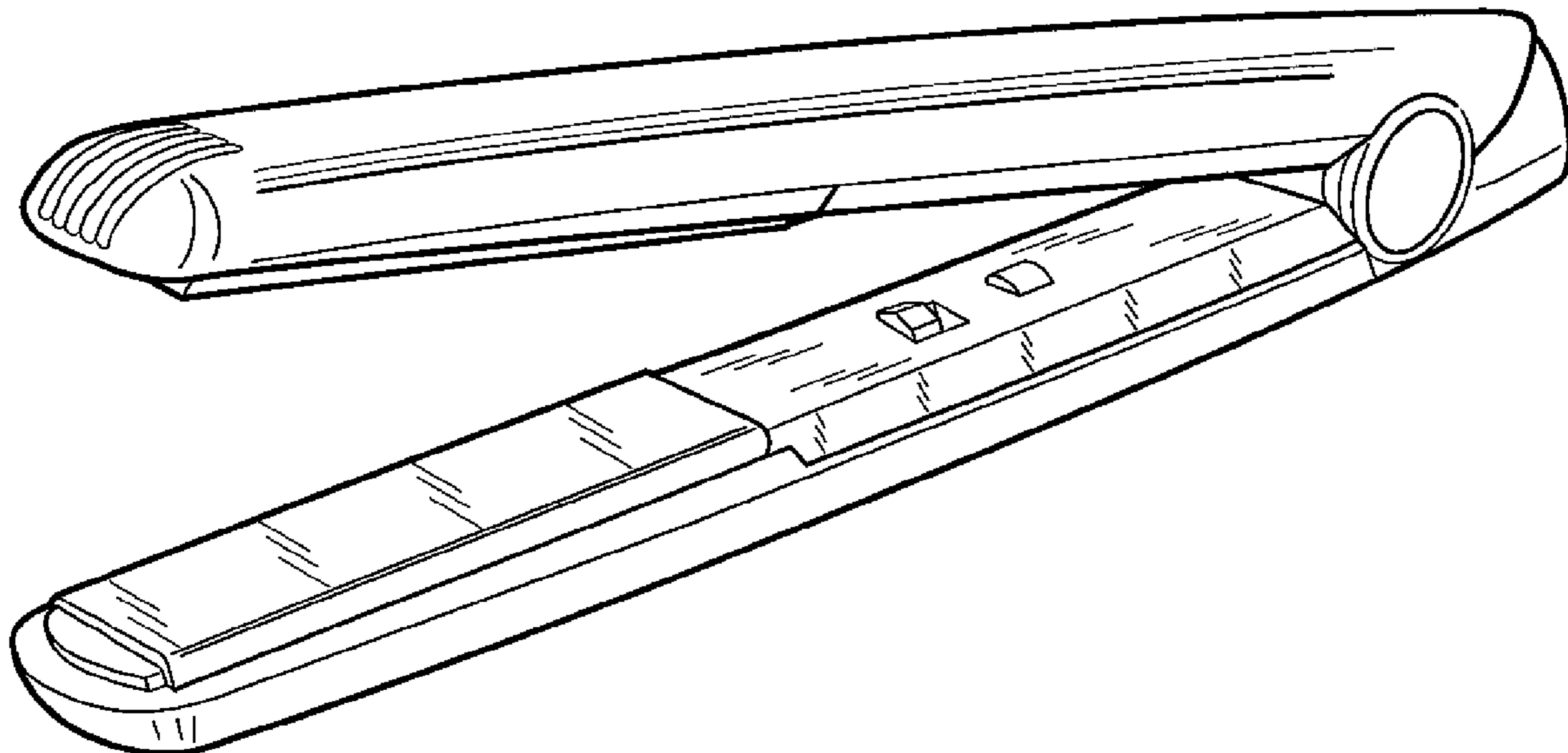
(57) **CLAIM**

I claim the ornamental design for hair iron, as shown and described.

**DESCRIPTION**

FIG. 1 is a perspective view of a hair iron, showing my design; FIG. 2 is another perspective view thereof; FIG. 3 is another perspective view thereof; and, FIG. 4 is a rear elevation view thereof.

**1 Claim, 2 Drawing Sheets**



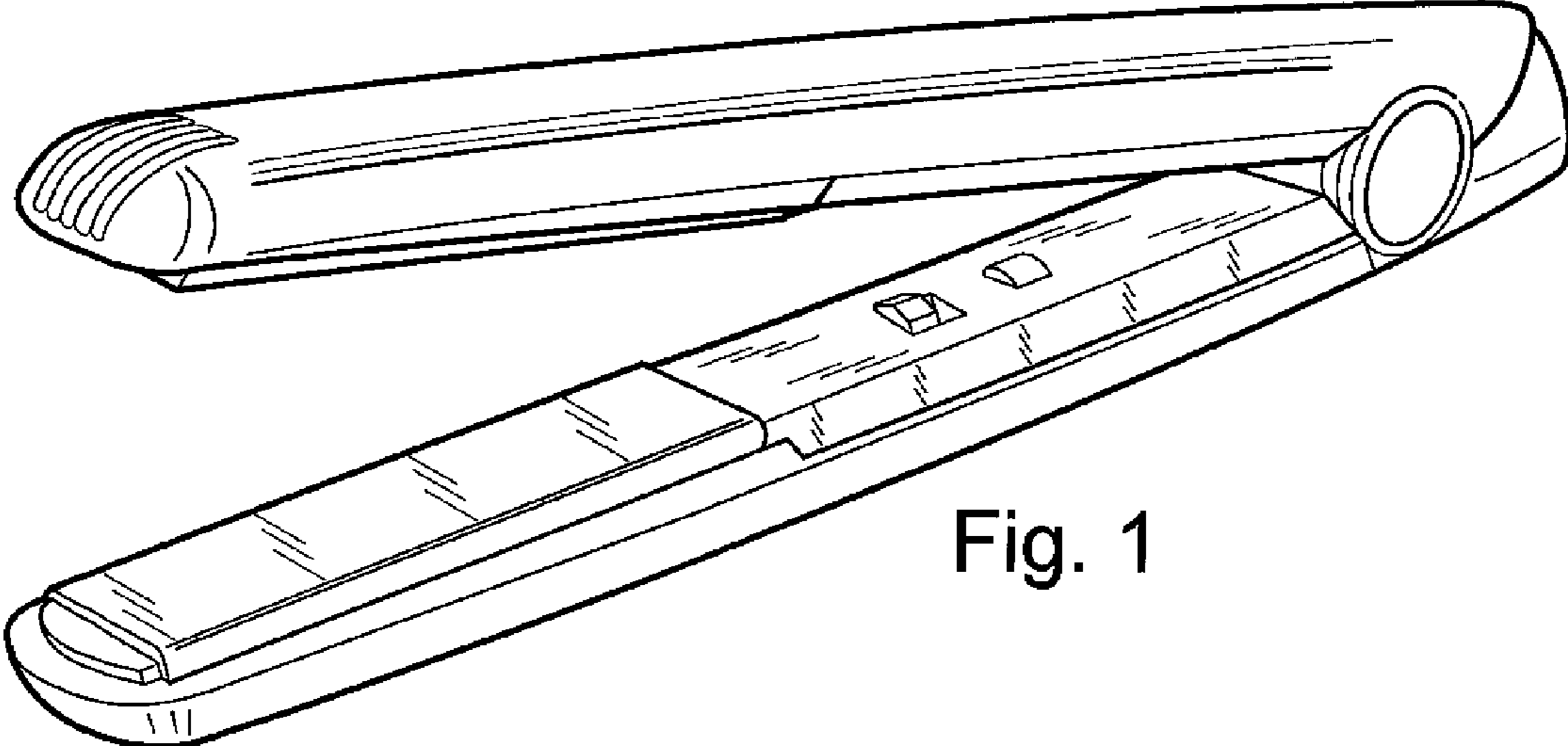


Fig. 1

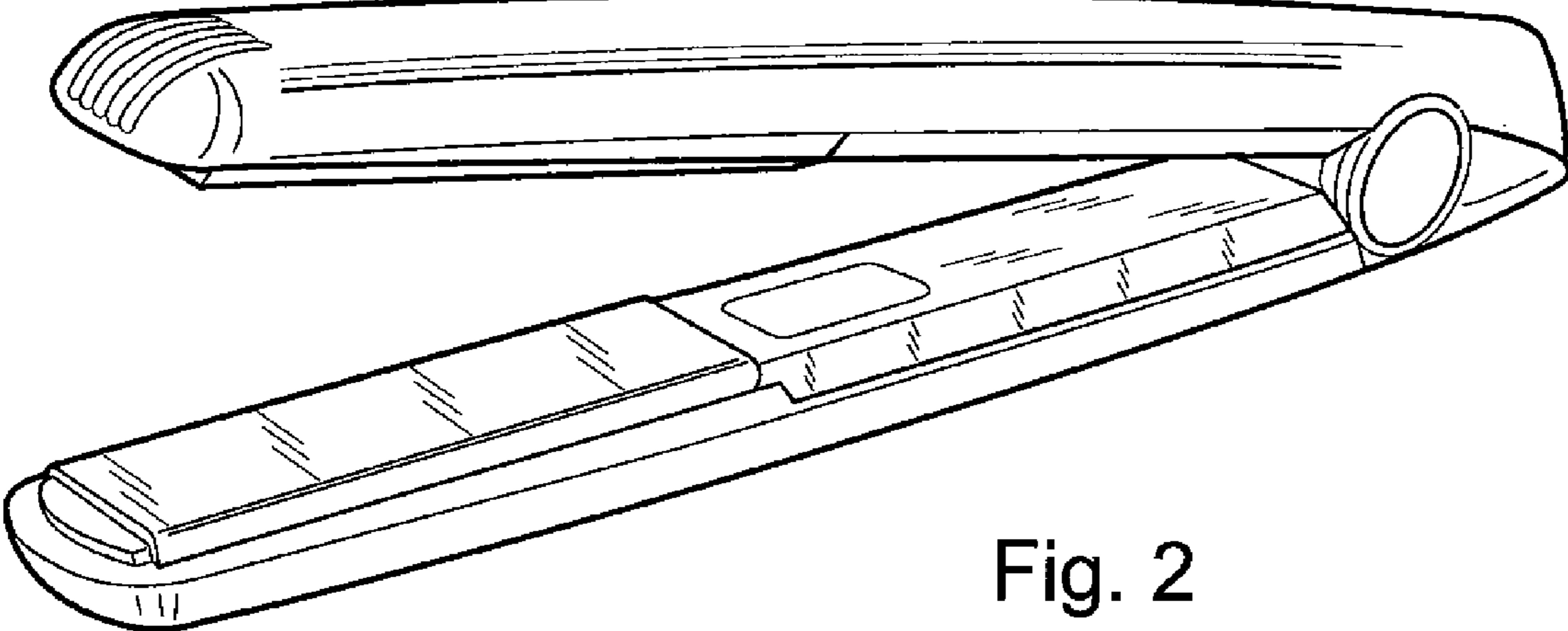


Fig. 2

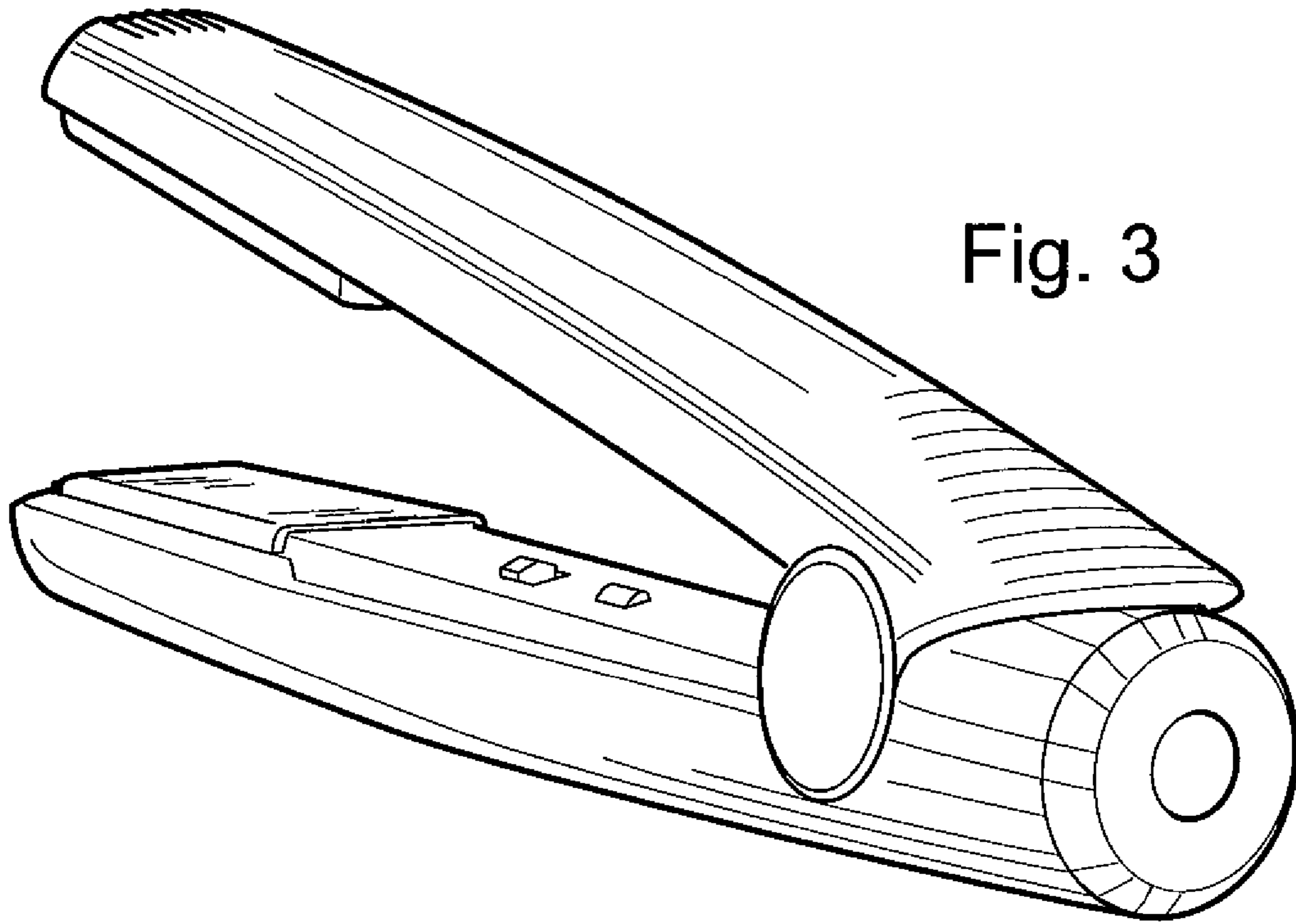


Fig. 3

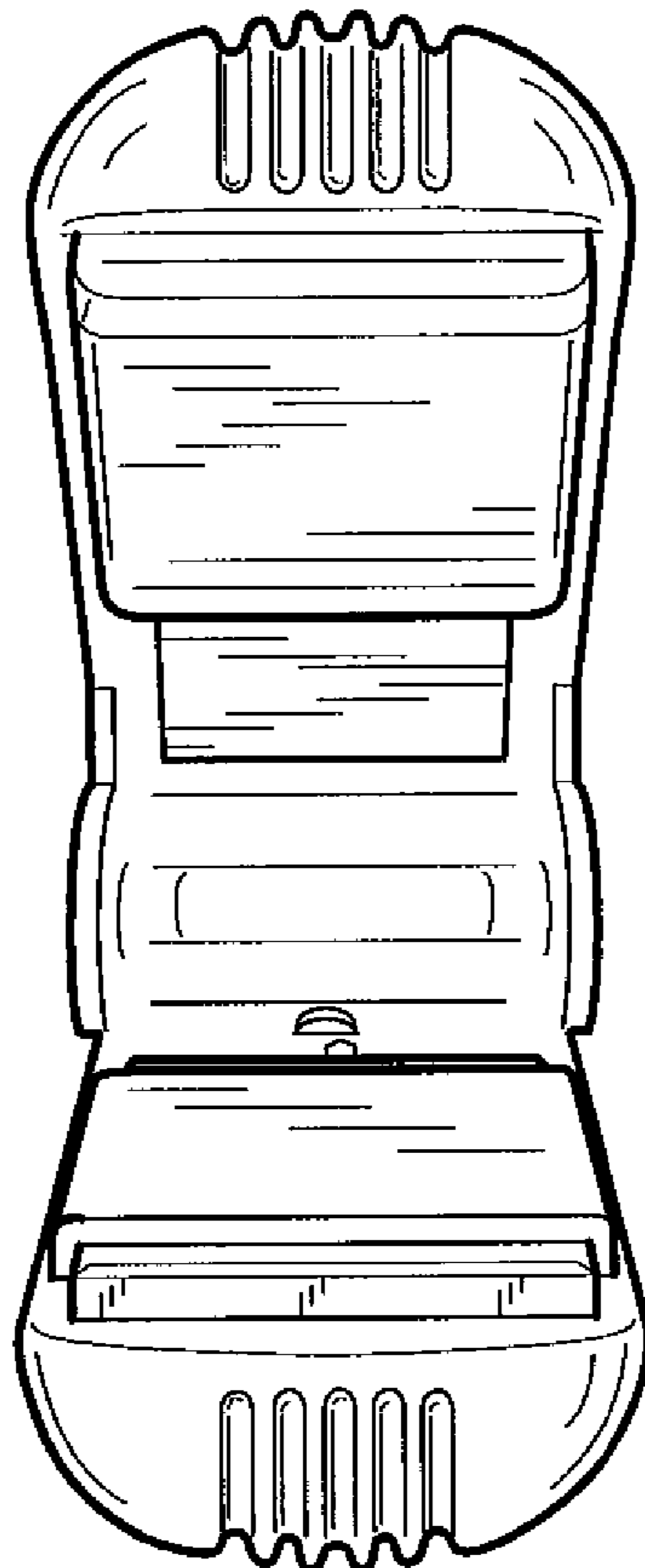


Fig. 4