



US00D575449S

(12) **United States Design Patent**
Williamson

(10) **Patent No.:** **US D575,449 S**

(45) **Date of Patent:** **** Aug. 19, 2008**

(54) **SUPPORT FOR CIGARS AND THE LIKE ON A GOLF CART**

D392,410 S * 3/1998 Lukach D27/183
6,234,916 B1 * 5/2001 Carusillo et al. 473/286
D451,636 S * 12/2001 Chang D27/183
2004/0182402 A1 * 9/2004 Cervantes et al. 131/257

(76) Inventor: **Kenneth J. Williamson**, 5607 New King St., Suite 100, Troy, MI (US) 48098

* cited by examiner

(**) Term: **14 Years**

Primary Examiner—Jennifer Rivard

(21) Appl. No.: **29/277,211**

(74) *Attorney, Agent, or Firm*—Gifford, Krass, Sprinkle, Anderson & Citkowski, P.C.

(22) Filed: **Feb. 19, 2007**

(57) **CLAIM**

Related U.S. Application Data

(63) Continuation-in-part of application No. 29/260,952, filed on Jun. 5, 2006, now abandoned.

I claim the ornamental design for a support for cigars and the like on a golf cart, as shown and described.

(51) **LOC (8) Cl.** **27-06**

(52) **U.S. Cl.** **D27/183**

(58) **Field of Classification Search** D27/172, D27/183; 131/257, 259, 187
See application file for complete search history.

DESCRIPTION

FIG. 1 is a perspective view from the left side of the preferred embodiment of the support for cigars and the like on a golf cart of the present invention;

FIG. 2 is a perspective view from the right side of the embodiment shown in FIG. 1;

FIG. 3 is a front view of the embodiment shown in FIG. 1;

FIG. 4 is a side view, with the opposite side view being identical, of the embodiment shown in FIG. 1;

FIG. 5 is a top view of the embodiment shown in FIG. 1; and,

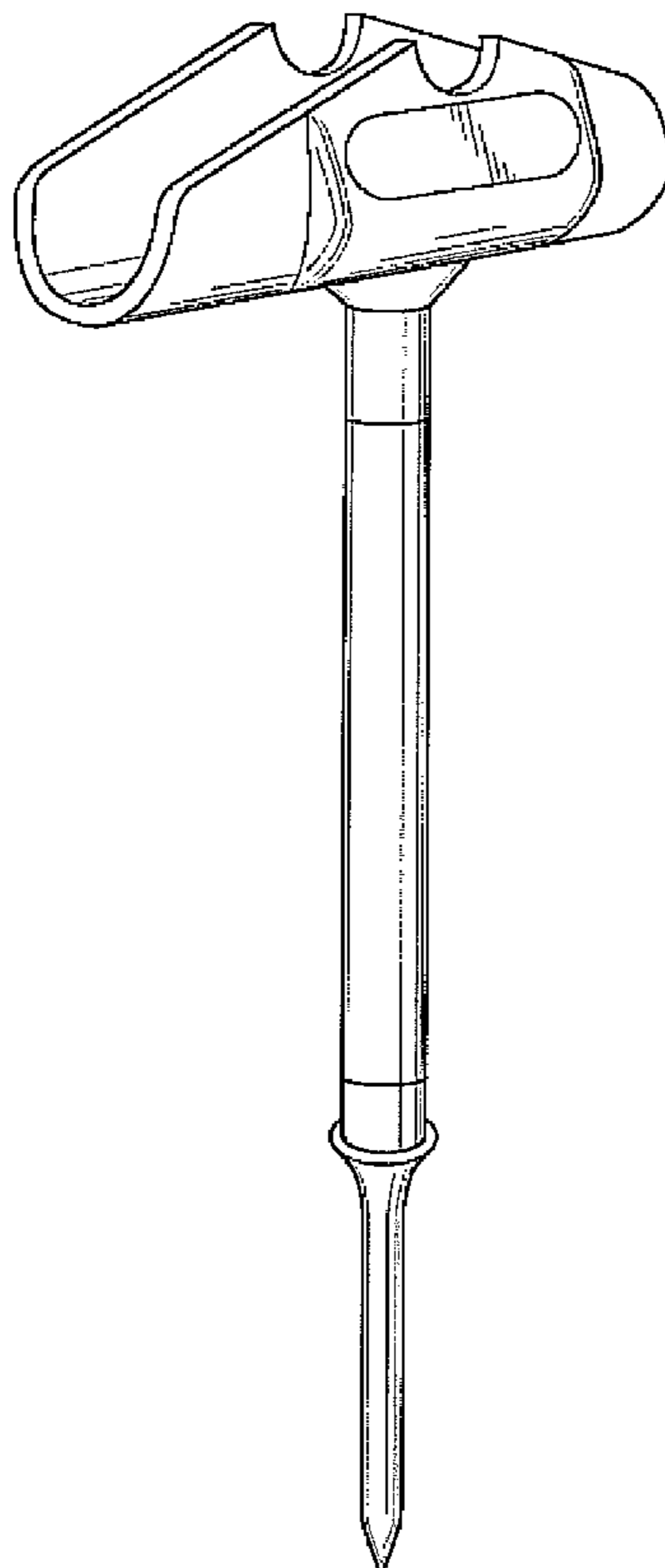
FIG. 6 is a bottom view of the embodiment shown in FIG. 1.

(56) **References Cited**

U.S. PATENT DOCUMENTS

3,001,529 A * 9/1961 Watson 131/257
4,838,285 A * 6/1989 Petrone 131/259
D375,815 S * 11/1996 Kagasoff D27/183
D379,551 S * 5/1997 Hubbard D27/183
D385,059 S * 10/1997 Jenkins D27/183
D389,214 S * 1/1998 Impastato, II D27/183

1 Claim, 2 Drawing Sheets



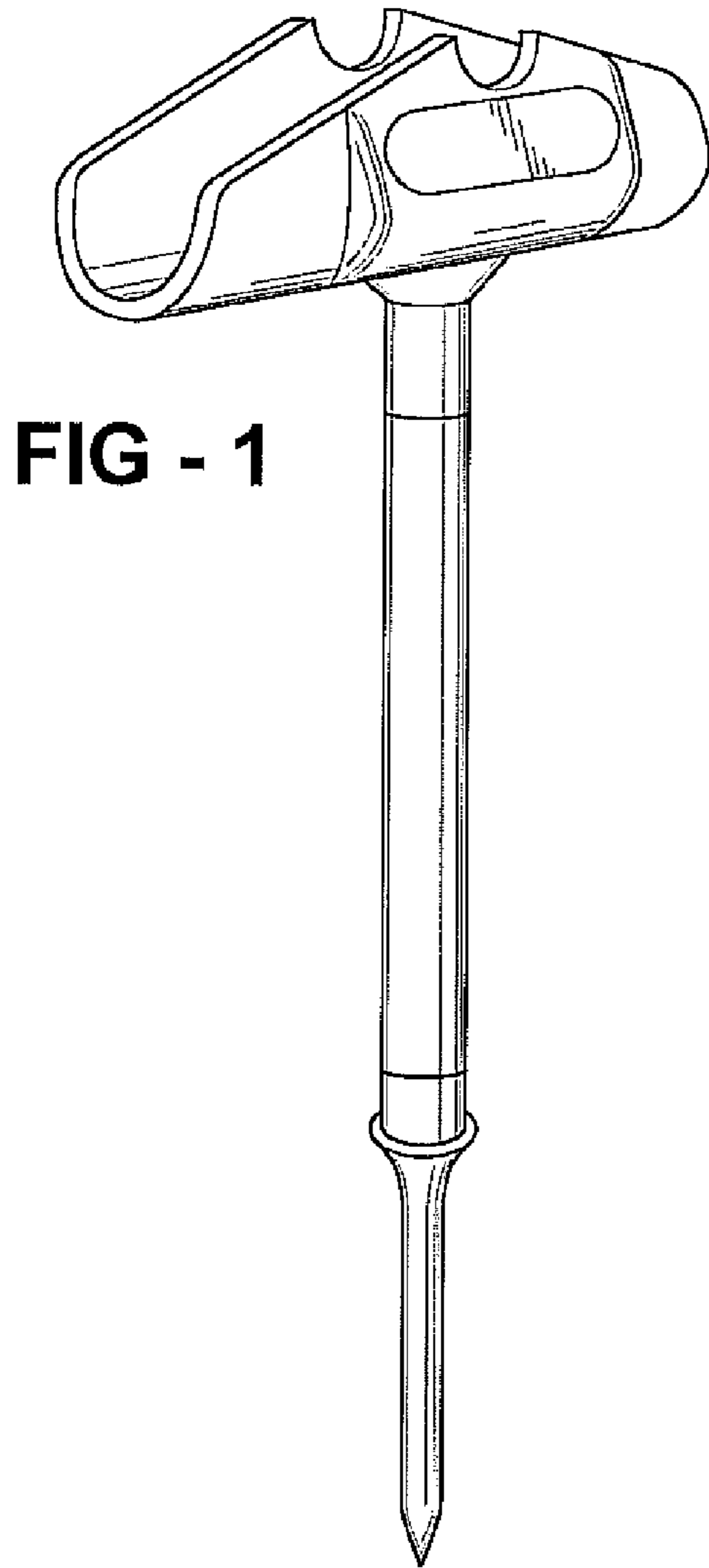


FIG - 1

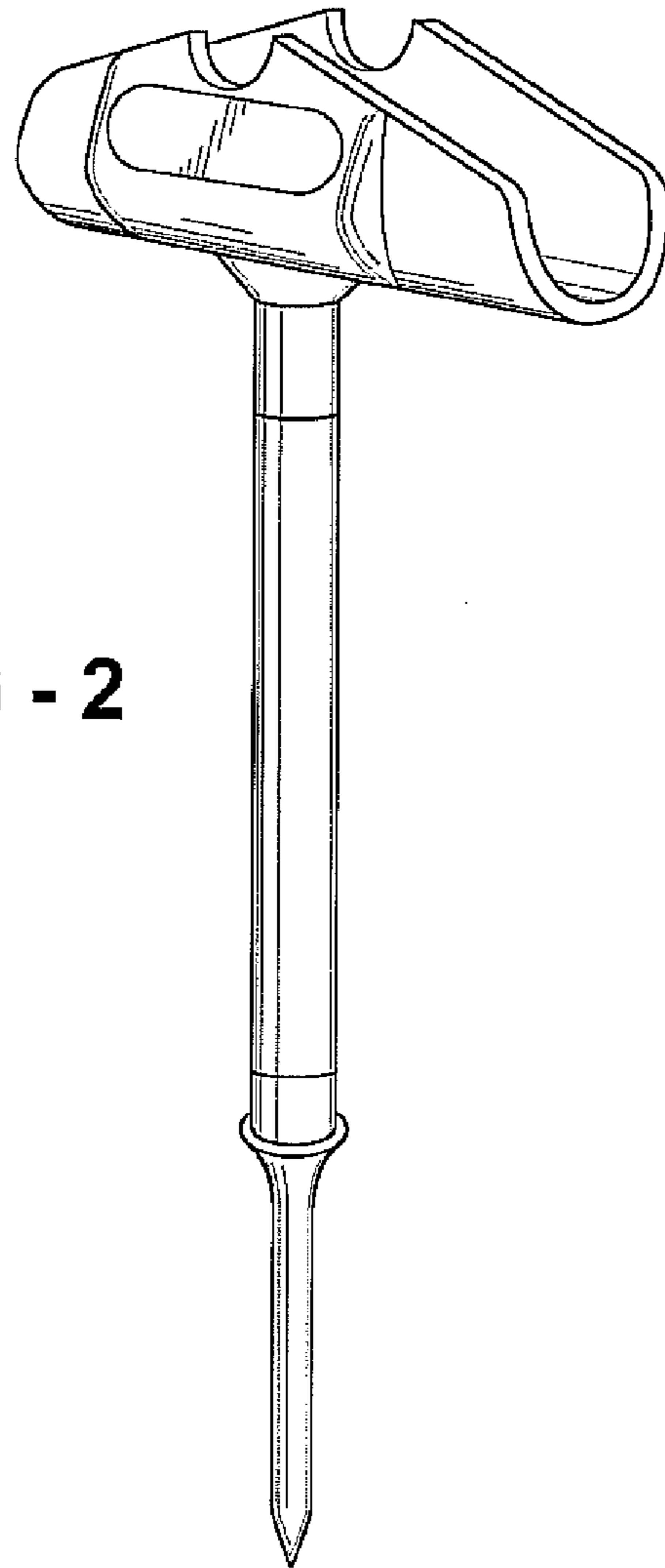


FIG - 2

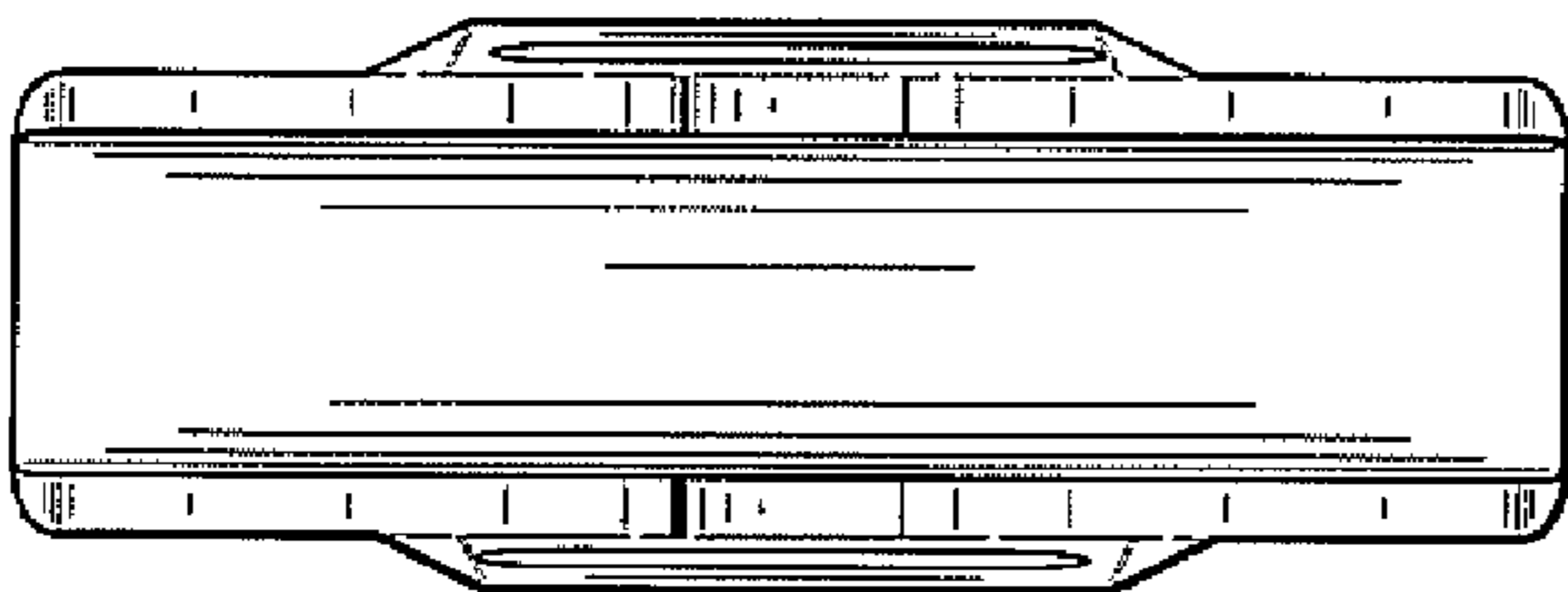


FIG - 5

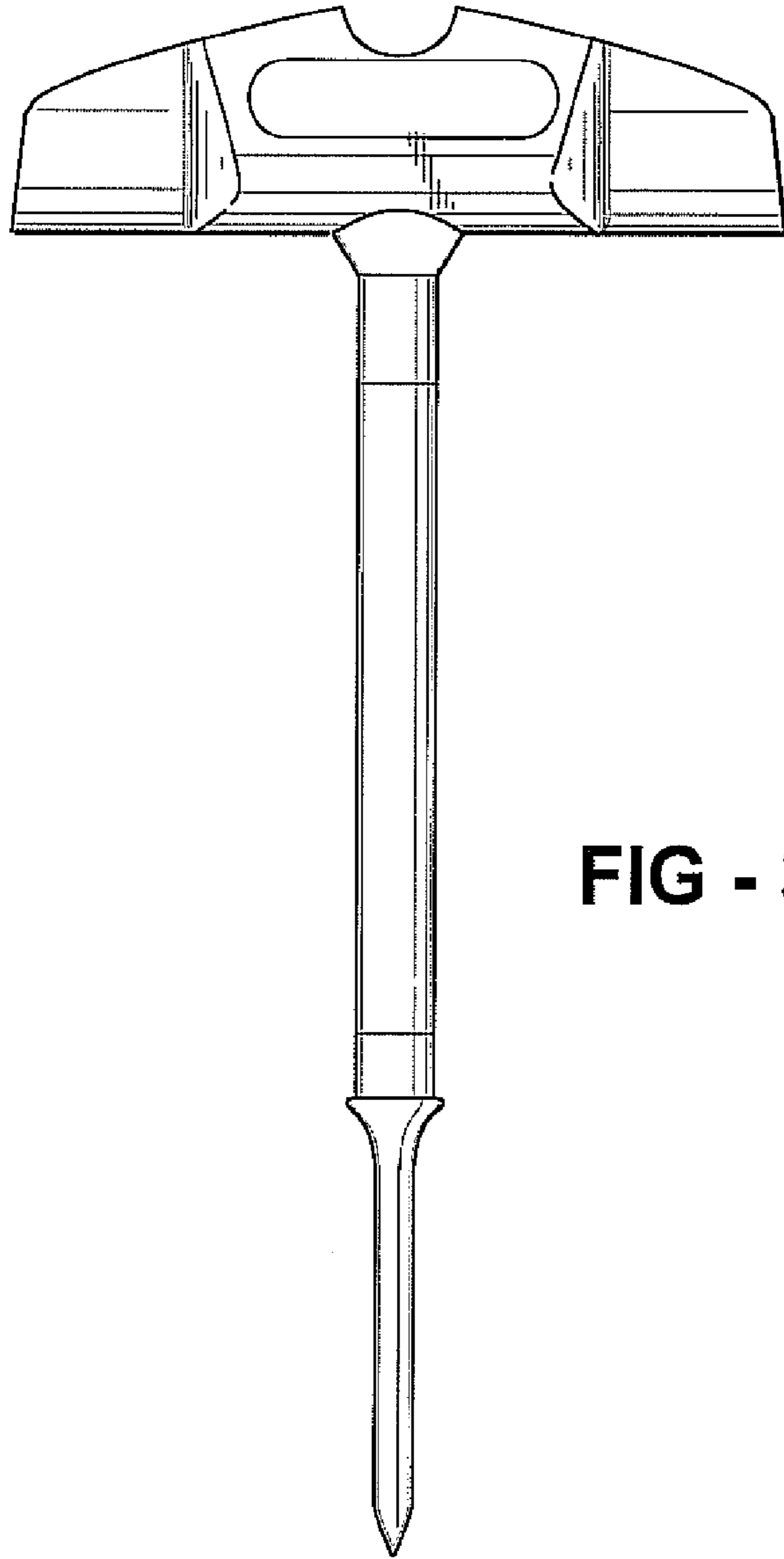


FIG - 3

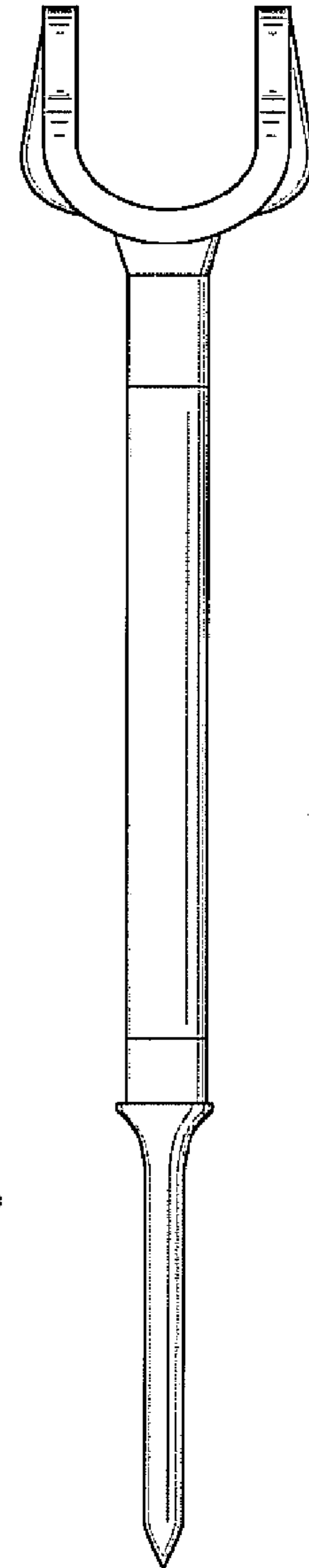


FIG - 4

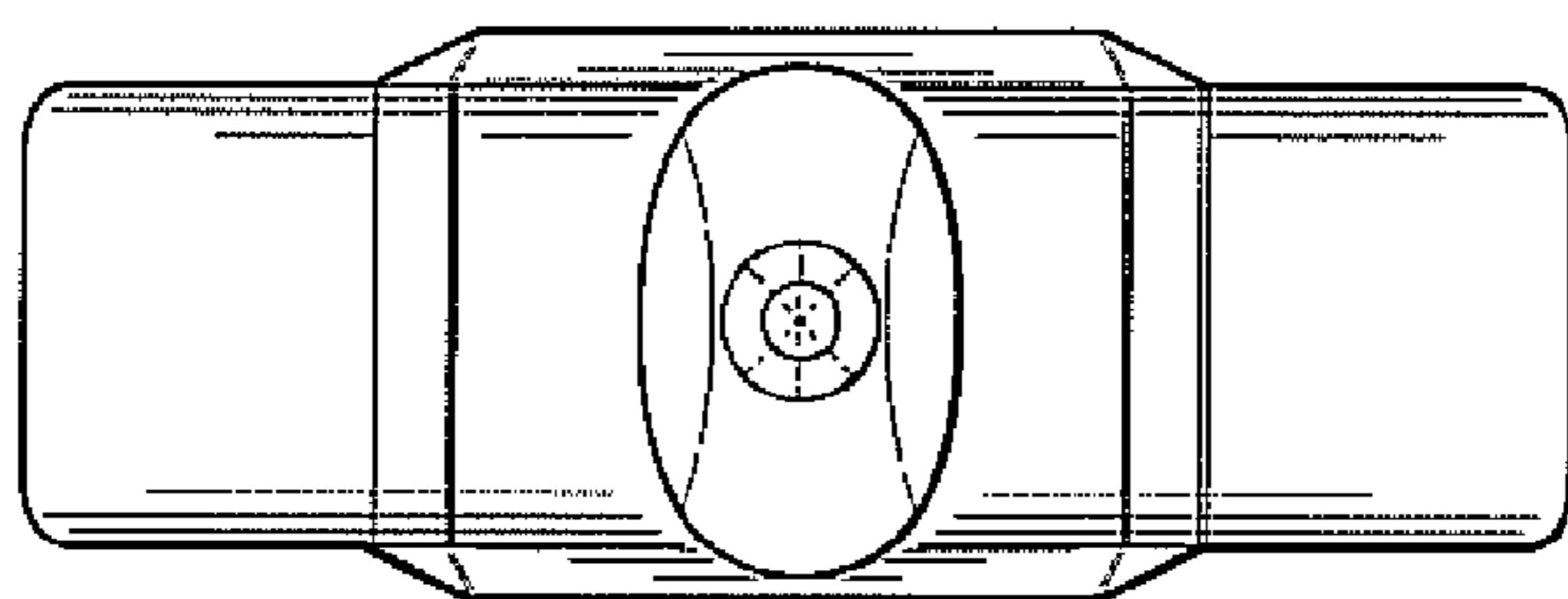


FIG - 6