



US00D575448S

(12) **United States Design Patent**
Zakula et al.

(10) **Patent No.:** **US D575,448 S**
(45) **Date of Patent:** **** Aug. 19, 2008**

(54) **LIGHT FIXTURE**

(75) Inventors: **Mirko Zakula**, New Berlin, WI (US);
Brent Elliott Coffey, Pewaukee, WI
(US); **Taiwon Choi**, Chicago, IL (US);
Stephen Pennington, Chicago, IL (US)

(73) Assignee: **Broan-NuTone LLC**, Hartford, WI (US)

(**) Term: **14 Years**

(21) Appl. No.: **29/272,993**

(22) Filed: **Feb. 23, 2007**

(51) **LOC (8) Cl.** **26-99**

(52) **U.S. Cl.** **D26/152; D26/138; D26/89**

(58) **Field of Classification Search** D26/72,
D26/88, 89, 118; D23/377, 379, 411; 362/147,
362/150, 361, 363, 404
See application file for complete search history.

(56) **References Cited**

U.S. PATENT DOCUMENTS

D43,166 S *	10/1912	Schepmoes	D26/89
D47,899 S *	9/1915	Shiminsky	D26/88
D49,566 S *	8/1916	Bayley	D26/89
D49,703 S	9/1916	Bayley		
D49,790 S	10/1916	Bayley		
D51,188 S	8/1917	Snow		
1,435,024 A	11/1922	Shapiro		
1,502,617 A	7/1924	Cline		
D67,288 S *	5/1925	Kopp	D26/133
D95,202 S	4/1935	Glatthar et al.		
D107,761 S	1/1938	Fair		
2,255,431 A	9/1941	Marden et al.		
D139,009 S	10/1944	Deneberg		
D170,084 S	7/1953	Glatthar et al.		
D190,387 S	5/1961	Wince		
D221,351 S	8/1971	Remington		
D288,007 S	1/1987	Jonas et al.		
D313,479 S	1/1991	Goldberg		
D320,439 S *	10/1991	Harper	D26/88

D341,441 S	11/1993	Shapiro		
D372,325 S	7/1996	Hackworth		
D383,087 S	9/1997	Weder et al.		
D387,700 S	12/1997	Shieh		
D392,918 S	3/1998	Weder et al.		
D402,502 S	12/1998	Liaw		
D404,167 S *	1/1999	Dolan	D26/88
D411,643 S	6/1999	Lin		
D413,547 S	9/1999	Wagner		
D435,136 S	12/2000	Miranda		
D436,682 S	1/2001	Ewing et al.		
D461,270 S	8/2002	Hsu		
D464,682 S	10/2002	Lin		
D469,205 S	1/2003	Chelf		
D478,393 S	8/2003	Alduby		
D483,869 S	12/2003	Tran et al.		

(Continued)

OTHER PUBLICATIONS

Hubbardton Forge, photographs and descriptions of Presidio Tryne lighting products, dated 1989-2004.

(Continued)

Primary Examiner—Clare E Heflin

(74) *Attorney, Agent, or Firm*—Michael Best & Friedrich LLP

(57) **CLAIM**

We claim the ornamental design for a light fixture, as shown and described.

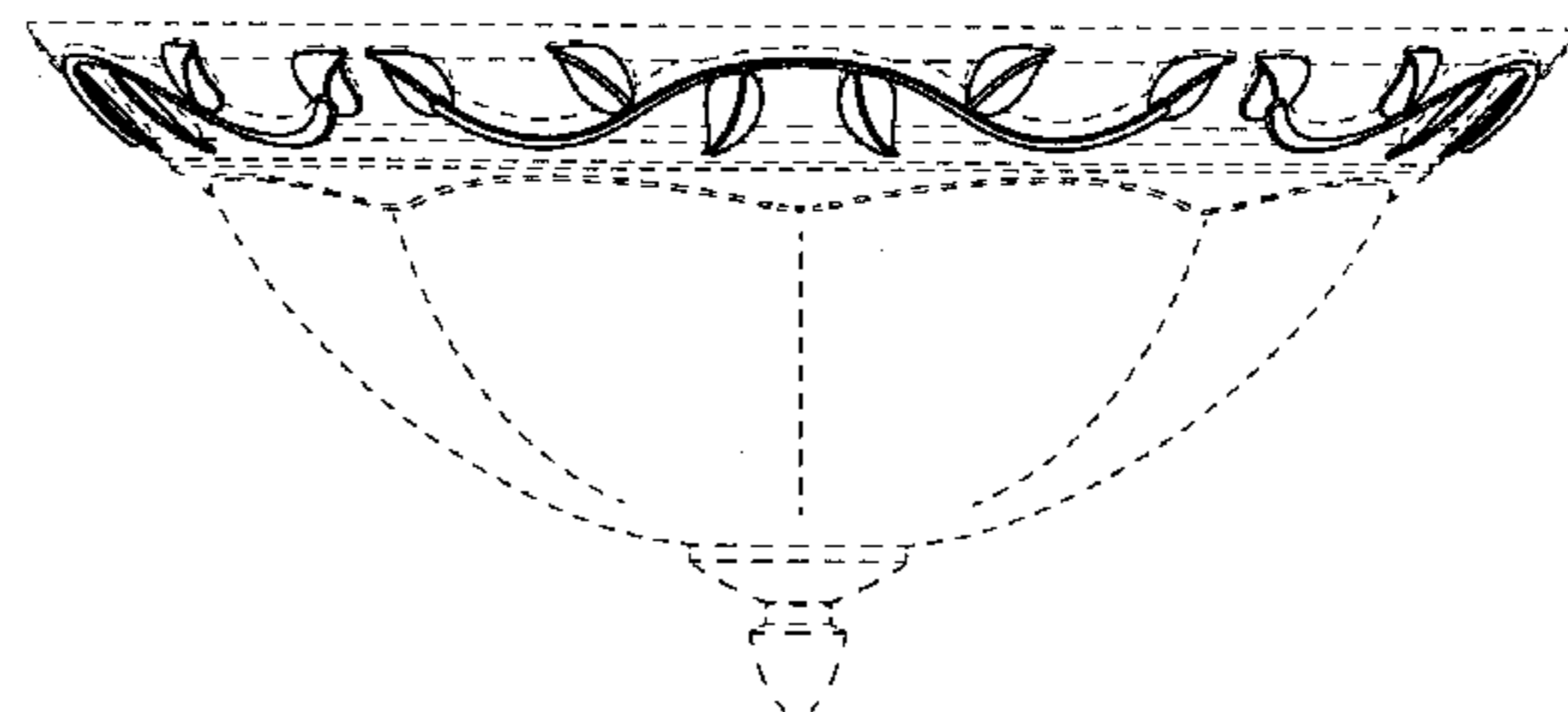
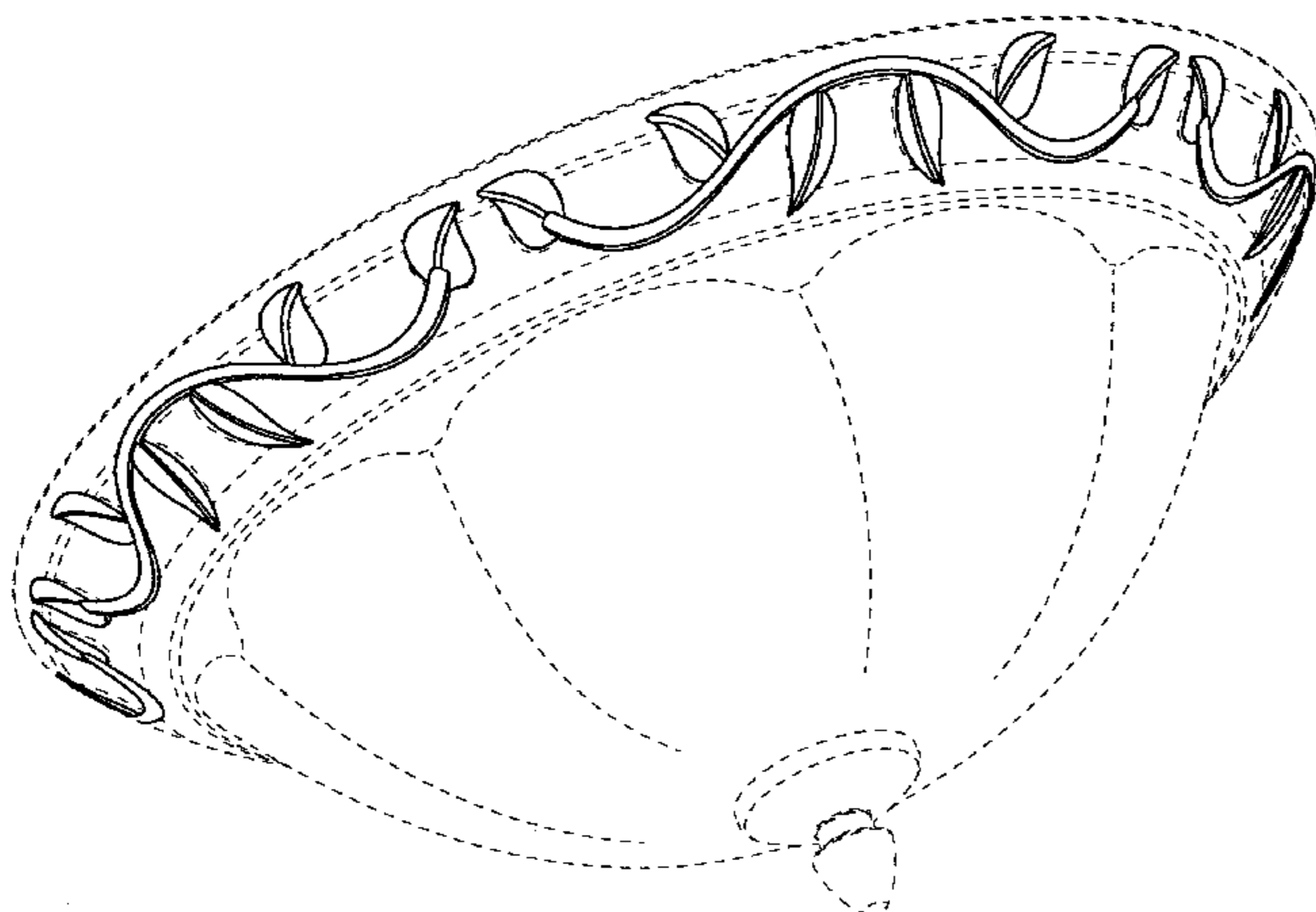
DESCRIPTION

FIG. 1 is a perspective view of a light fixture.

FIG. 2 is bottom view of the light fixture shown in FIG. 1; and, FIG. 3 is a side view of the light fixture shown in FIG. 1.

The present application is directed to the shape and contour of the design illustrated in the drawings. The broken line showing of the environment is for illustrative purposes only and forms no part of the claimed design.

1 Claim, 2 Drawing Sheets



U.S. PATENT DOCUMENTS

D483,897 S	12/2003	Hsu	
D485,002 S	1/2004	Lin	
D486,278 S	2/2004	Nauert	
D499,505 S	12/2004	Benensohn	
D503,824 S *	4/2005	Curtin D26/89
D503,992 S	4/2005	Curtin	
D514,732 S	2/2006	Benensohn	
D533,956 S	12/2006	Vladika	
D534,301 S	12/2006	Roland	
D539,967 S	4/2007	Hsu	
D544,988 S	6/2007	Benensohn	
D546,494 S	7/2007	Pickett	
D547,484 S	7/2007	Guercio	
D551,382 S	9/2007	Curtin	

OTHER PUBLICATIONS

Broan Nutone, photograph and description of fan light model No. 741BR, www.broan.com, webpage visited May 18, 2007.
Broan Nutone, photograph and description of fan light model No. 757PT, www.broan.com, webpage visited May 18, 2007.

Farrey's, photographs and descriptions of Casual Indoor Ceiling Fixtures, www.farreys.com/lighting/fixtures/ceiling_casual_0.1.html, webpage visited May 18, 2007.

Farrey's, photographs and descriptions of Chelsea Harbor Collection by Westinghouse Lighting, www.farreys.com/lighting/westinghouse/collection_chelsea_harbor.html, webpage visited May 18, 2007.

Farrey's, photographs and descriptions of Contemporary Indoor Ceiling Fixtures, www.farreys.com/lighting/fixtures/ceiling_contemporary_01.html, webpage visited May 18, 2007.

Farrey's, photographs and descriptions of Energy Saving Indoor Ceiling Fixtures, www.farreys.com/lighting/fixtures/ceiling_energy_saving_01.html, webpage visited May 18, 2007.

Farrey's, photographs and descriptions of Traditional Indoor Ceiling Fixtures, www.farreys.com/lighting/fixtures/ceiling_traditional_01.html, webpage visited May 18, 2007.

Farrey's, photographs and descriptions of Transitional Indoor Ceiling Fixtures, www.farreys.com/lighting/fixtures/ceiling_transitional_01.html, webpage visited May 18, 2007.

Farrey's, photographs and descriptions of Fluorescent Fixture Group Collection by Kichler Lighting, www.farreys.com/lighting/kichler/collection_fluorescent_fixture_group_10301WH..., webpage visited May 18, 2007.

* cited by examiner

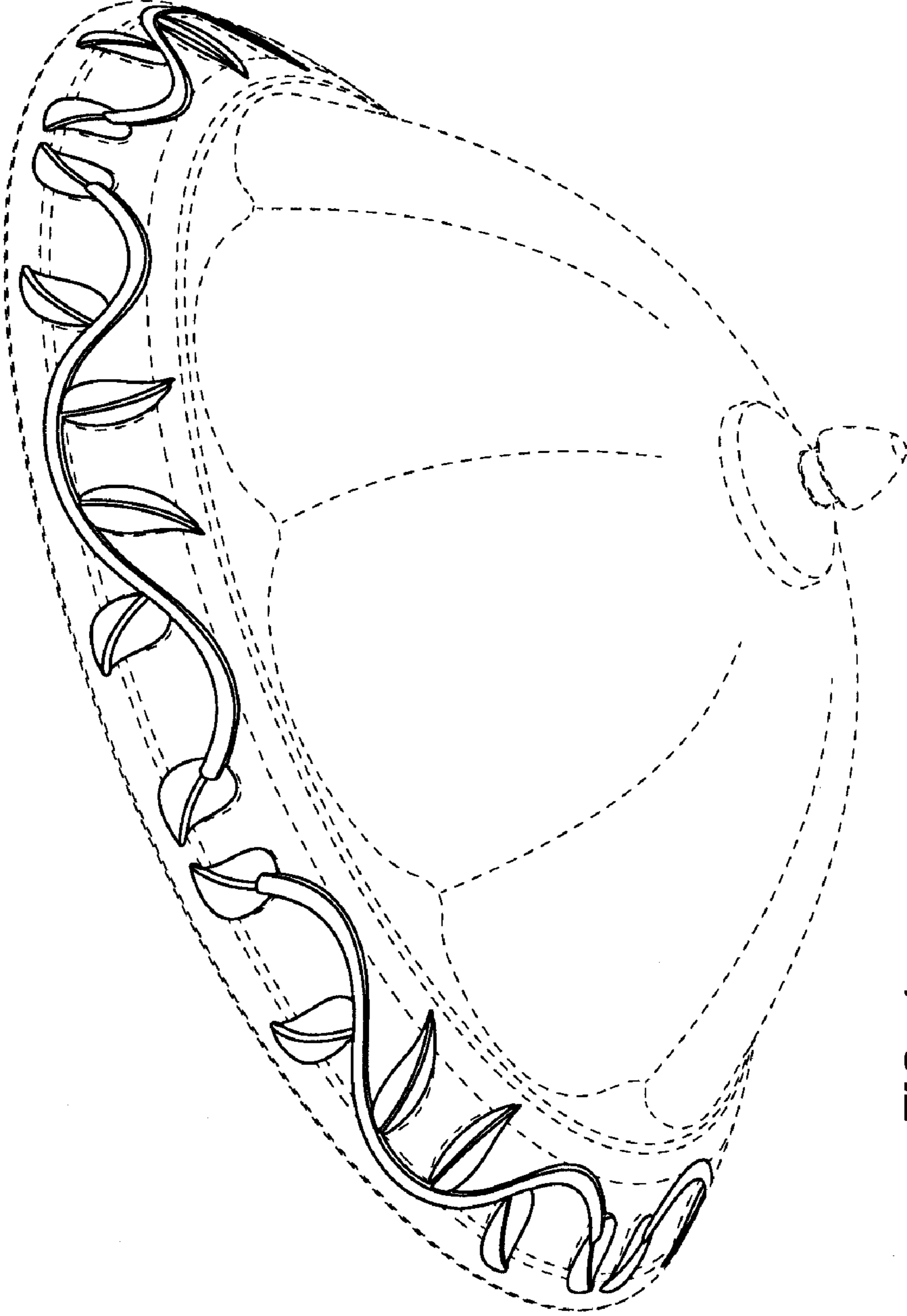


FIG. 1

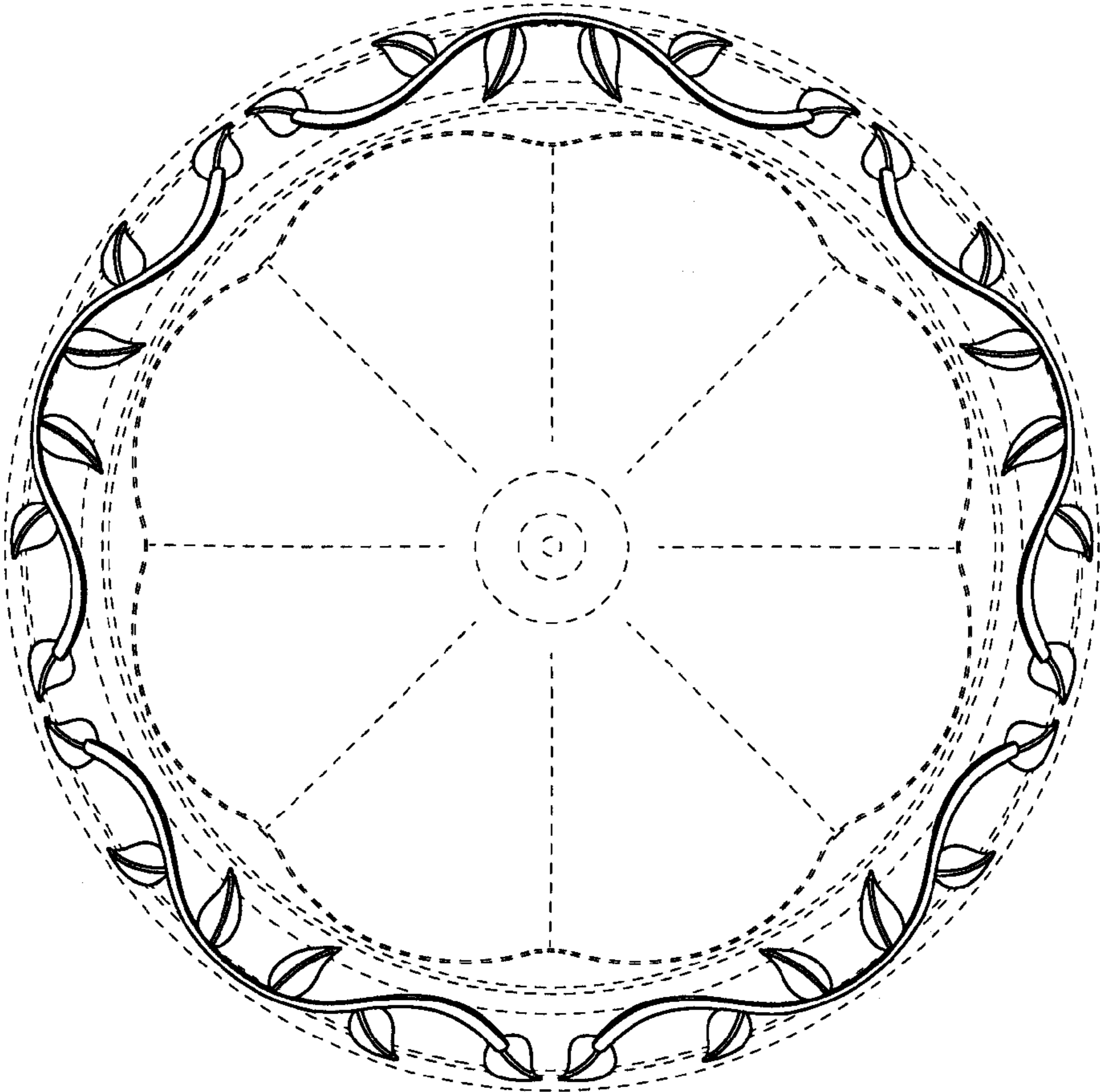


FIG. 2

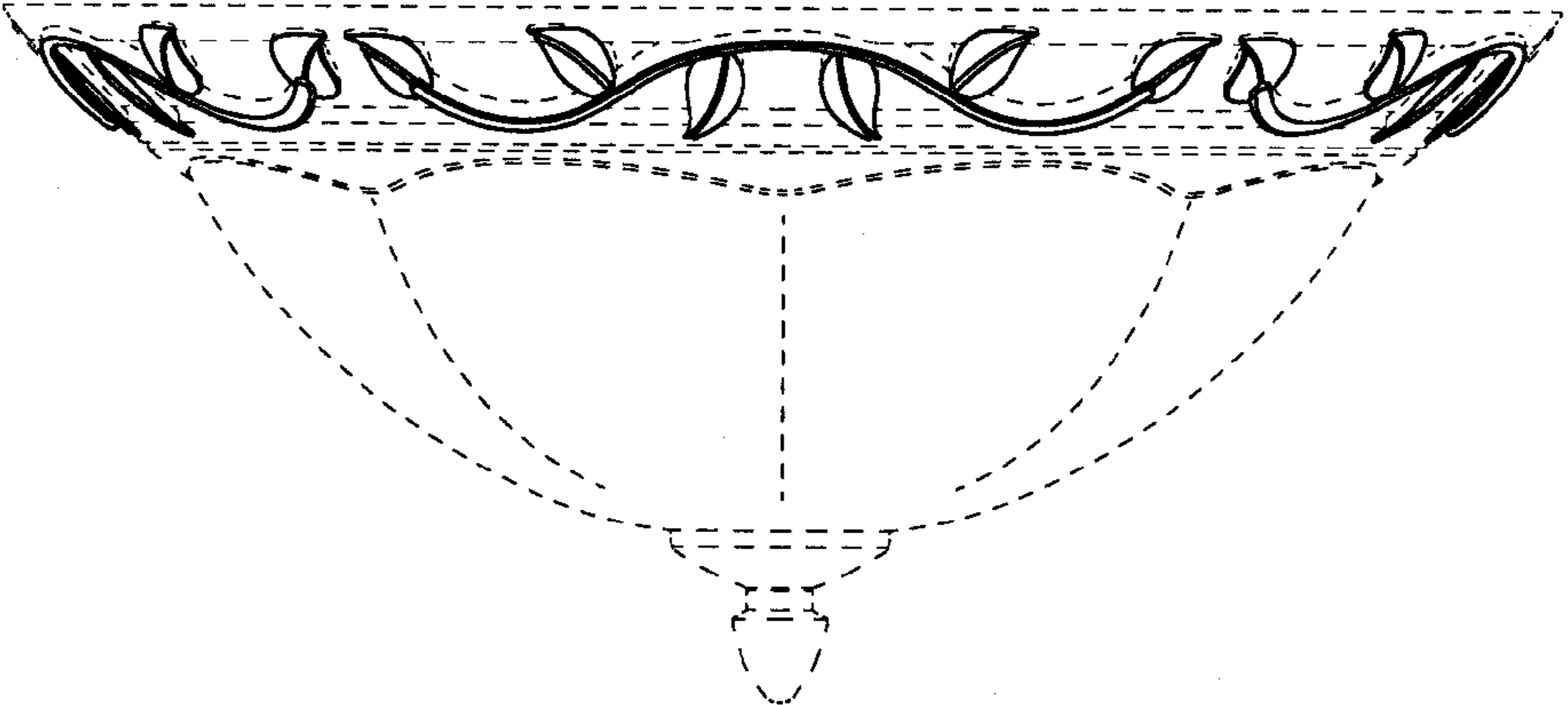


FIG. 3