



US00D575445S

(12) **United States Design Patent**
Levy et al.

(10) **Patent No.:** **US D575,445 S**
(45) **Date of Patent:** **** Aug. 19, 2008**

(54) LAMP	4,534,241 A * 8/1985 Remmerfelt et al. 74/597
	D317,770 S 6/1991 Burke
(75) Inventors: Edward Levy , 6032 E. Hinsdale Ave., Centennial, CO (US) 80112; Campbell Levy , Centennial, CO (US)	5,163,341 A * 11/1992 Murrish et al. 74/595
	D354,370 S 1/1995 Stromberg
	D367,336 S * 2/1996 Hung D26/106
	D450,878 S 11/2001 Dolan
(73) Assignee: Edward Levy , Centennial, CO (US)	D468,854 S 1/2003 Chen
	D500,572 S * 1/2005 Linder et al. D26/93
(**) Term: 14 Years	D508,142 S 8/2005 Lizarraga
	7,021,268 B1 4/2006 Fuoss
(21) Appl. No.: 29/247,352	2007/0153534 A1 7/2007 Levy

(22) Filed: **Jun. 13, 2006**

(51) **LOC (8) Cl.** **26-99**
(52) **U.S. Cl.** **D26/142; D26/57**
(58) **Field of Classification Search** D26/118,
D26/76, 120, 121, 77, 141, 128, 78, 3, 88,
D26/85, 87, 65, 67, 68, 81, 84, 155, 145,
D26/142, 113, 138, 57, 72, 73, 75, 82, 89,
D26/93, 109, 108, 119, 143, 152; D11/90;
D25/124; D10/114; D13/135, 134; 362/298,
362/555, 576, 581, 147, 151, 153, 217, 219,
362/235, 241, 279, 290, 297, 325, 404, 405,
362/410, 800

See application file for complete search history.

(56) **References Cited**

U.S. PATENT DOCUMENTS

D70,896 S * 8/1926 Pilon D26/93
D81,267 S 5/1930 Thurber et al.
D81,517 S 7/1930 Anderson
2,109,083 A 2/1938 Campbell
D116,951 S 10/1939 Groene et al.
D118,161 S 12/1939 Krueger
2,256,726 A * 9/1941 Rippingille 74/597
D147,927 S * 11/1947 Peck D26/110
D155,340 S * 9/1949 Frisbie D26/93
D190,248 S * 5/1961 Warywoda D26/65
2,983,335 A * 5/1961 Etchells et al. 184/6.9
3,113,732 A * 12/1963 Chilo 362/452
3,309,941 A * 3/1967 Kappel 74/597
D212,641 S * 11/1968 Mok et al. D26/93
D241,367 S * 9/1976 Emmel D26/106
D270,484 S * 9/1983 White D26/94

OTHER PUBLICATIONS

Non-final Office Action of related U.S. Appl. No. 29/247,350, filed Dec. 5, 2006, 18 pages.
Non-final Office Action of related U.S. Appl. No. 29/247,350, filed May 21, 2007, 7 pages.
www.inparticular.com Website, website in existence Apr. 31, 2001, 4 pages.
Notice of Allowance of Related U.S. Appl. No. 29/248,281, filed Aug. 29, 2007, 6 pages.
Notice of Allowance of Related U.S. Appl. No. 29/248,709, filed Aug. 29, 2007, 7 pages.
Notice of Allowance of Related U.S. Appl. No. 29/248,093, filed Aug. 29, 2007, 7 pages.
Notice of Allowance of Related U.S. Appl. No. 29/248,340, filed Aug. 29, 2007, 7 pages.
Notice of Allowance of Related U.S. Appl. No. 29/248,092, filed Sep. 4, 2007, 7 pages.

* cited by examiner

Primary Examiner—Freda S. Nunn
Assistant Examiner—Kevin K Rudzinski

(57) **CLAIM**

The ornamental design for a lamp, as shown and described.

DESCRIPTION

FIG. 1 is a perspective view of a lamp showing a first embodiment of our new design, the broken lines showing environment for illustrative purposes only and forming no part of the claimed design;

FIG. 2 is a bottom plan view of the design illustrated in FIG. 1;

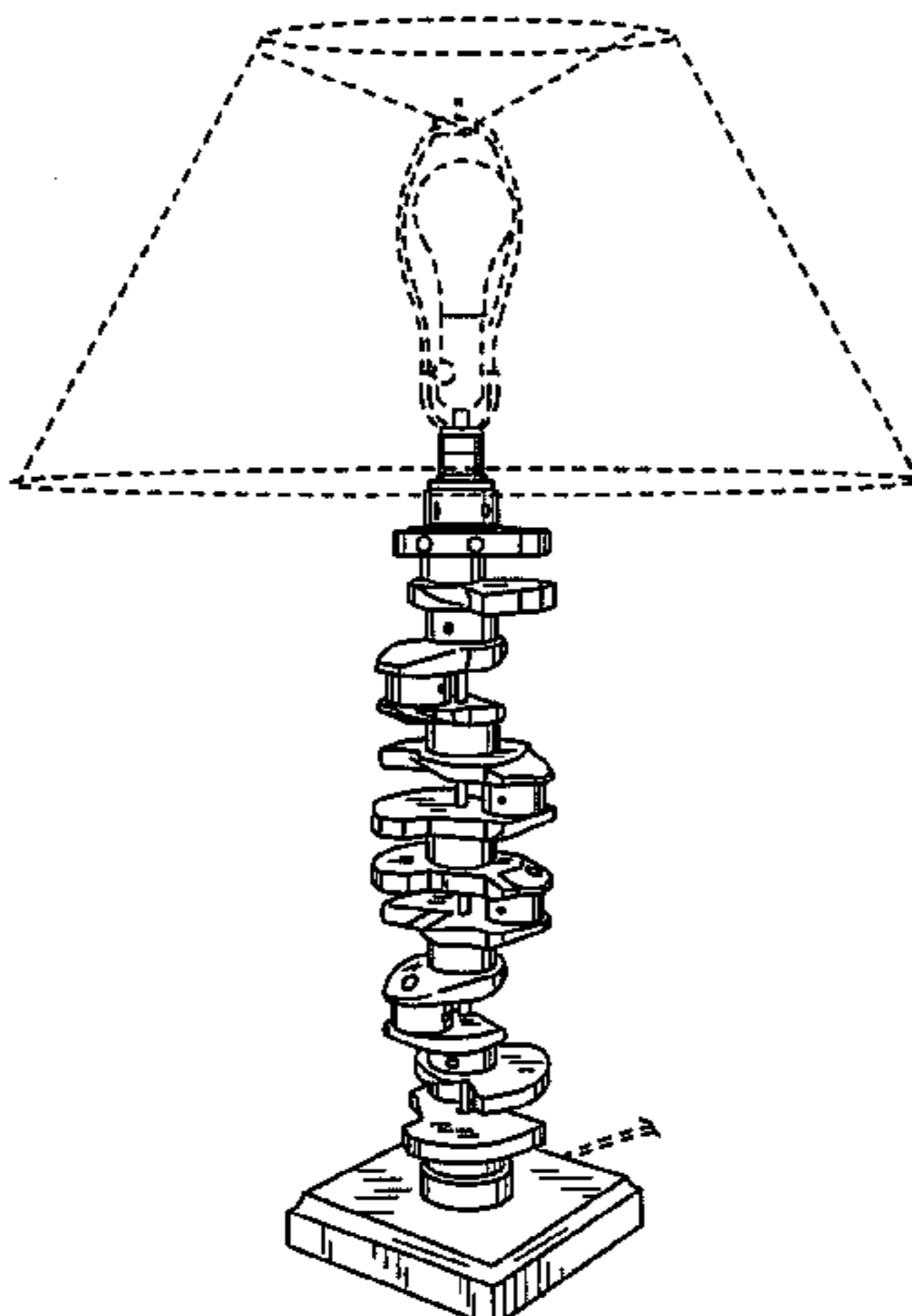


FIG. 3 is a top plan view of the design illustrated in FIG. 1;
FIG. 4 is a front elevation view of the design illustrated in FIG. 1;

FIG. 5 is a right elevation view of the design illustrated in FIG. 1;

FIG. 6 is a rear elevation view of the design illustrated in FIG. 1;

FIG. 7 is a left elevation view of the design illustrated in FIG. 1;

FIG. 8 is a perspective view of a lamp showing a second embodiment of our new design, the only distinction being the addition of a shade, it being understood that all other surfaces are the same as those in the first embodiment, the broken lines showing environment for illustrative purposes only and forming no part of the claimed design;

FIG. 9 is a bottom plan view of the design illustrated in FIG. 8;

FIG. 10 is a top plan view of the design illustrated in FIG. 8;

FIG. 11 is a front elevation view of the design illustrated in FIG. 8;

FIG. 12 is a right elevation view of the design illustrated in FIG. 8;

FIG. 13 is a rear elevation view of the design illustrated in FIG. 8;

FIG. 14 is a left elevation view of the design illustrated in FIG. 8;

FIG. 15 is a perspective view of a lamp showing a third embodiment of our new design, the only distinction being the omission of a base and the addition of a light fixture, it being understood that all other surfaces are the same as those in the first embodiment, the broken lines showing environment for illustrative purposes only and forming no part of the claimed design;

FIG. 16 is a bottom plan view of the design illustrated in FIG. 15;

FIG. 17 is a top plan view of the design illustrated in FIG. 15;

FIG. 18 is a front elevation view of the design illustrated in FIG. 15;

FIG. 19 is a right elevation view of the design illustrated in FIG. 15;

FIG. 20 is a rear elevation view of the design illustrated in FIG. 15; and,

FIG. 21 is a left elevation view of the design illustrated in FIG. 15.

1 Claim, 6 Drawing Sheets

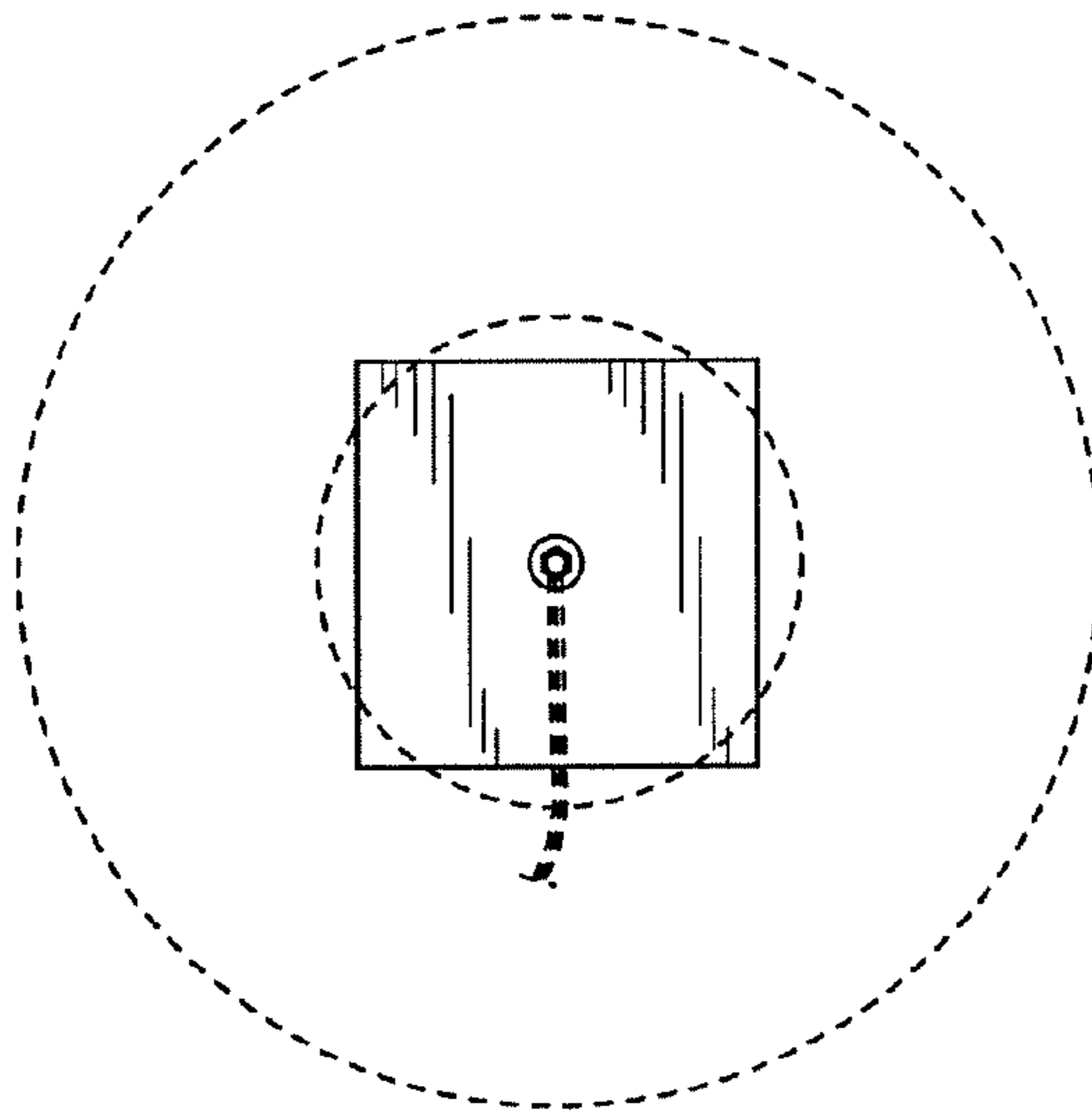


Fig. 2

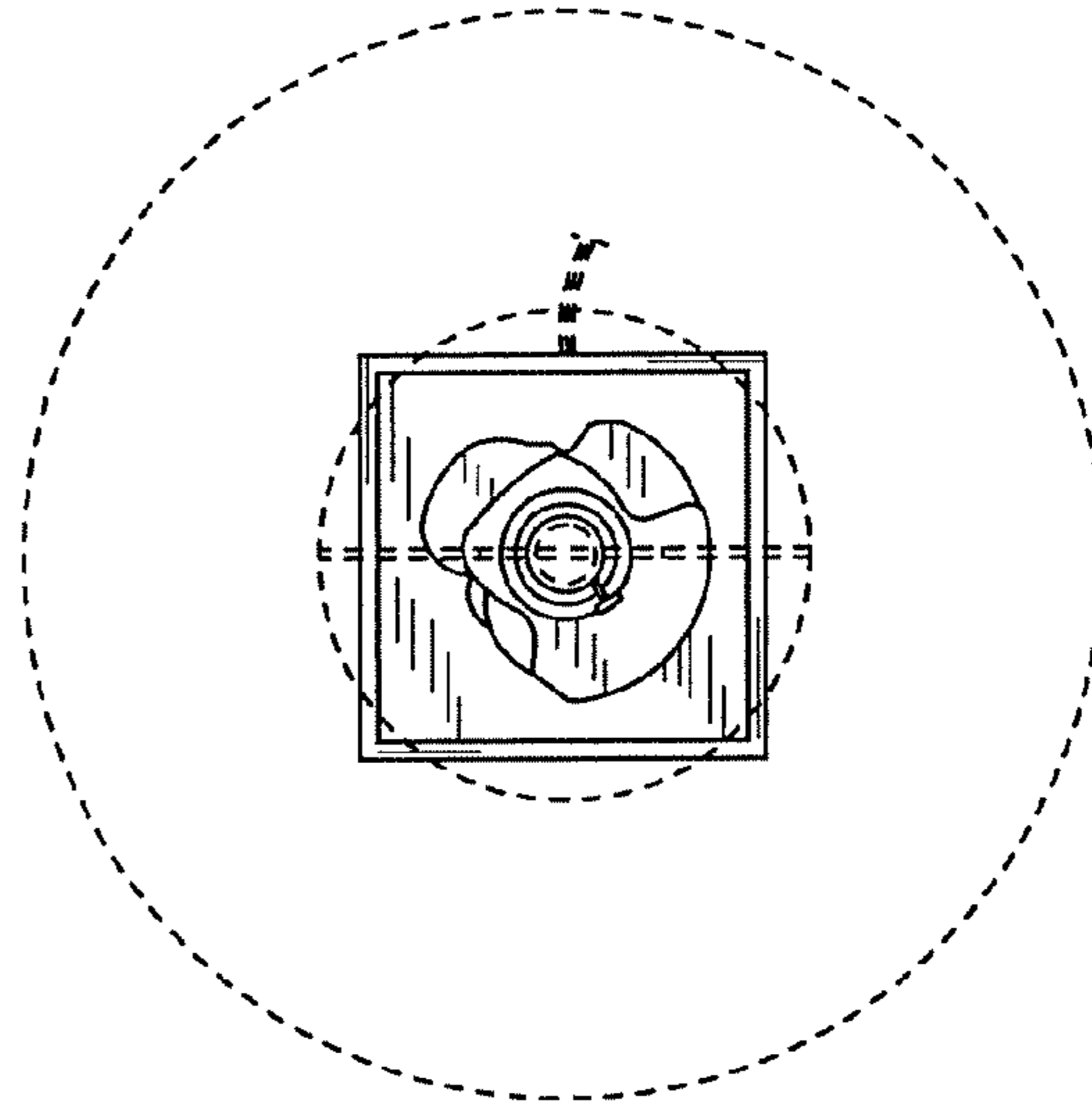


Fig. 3

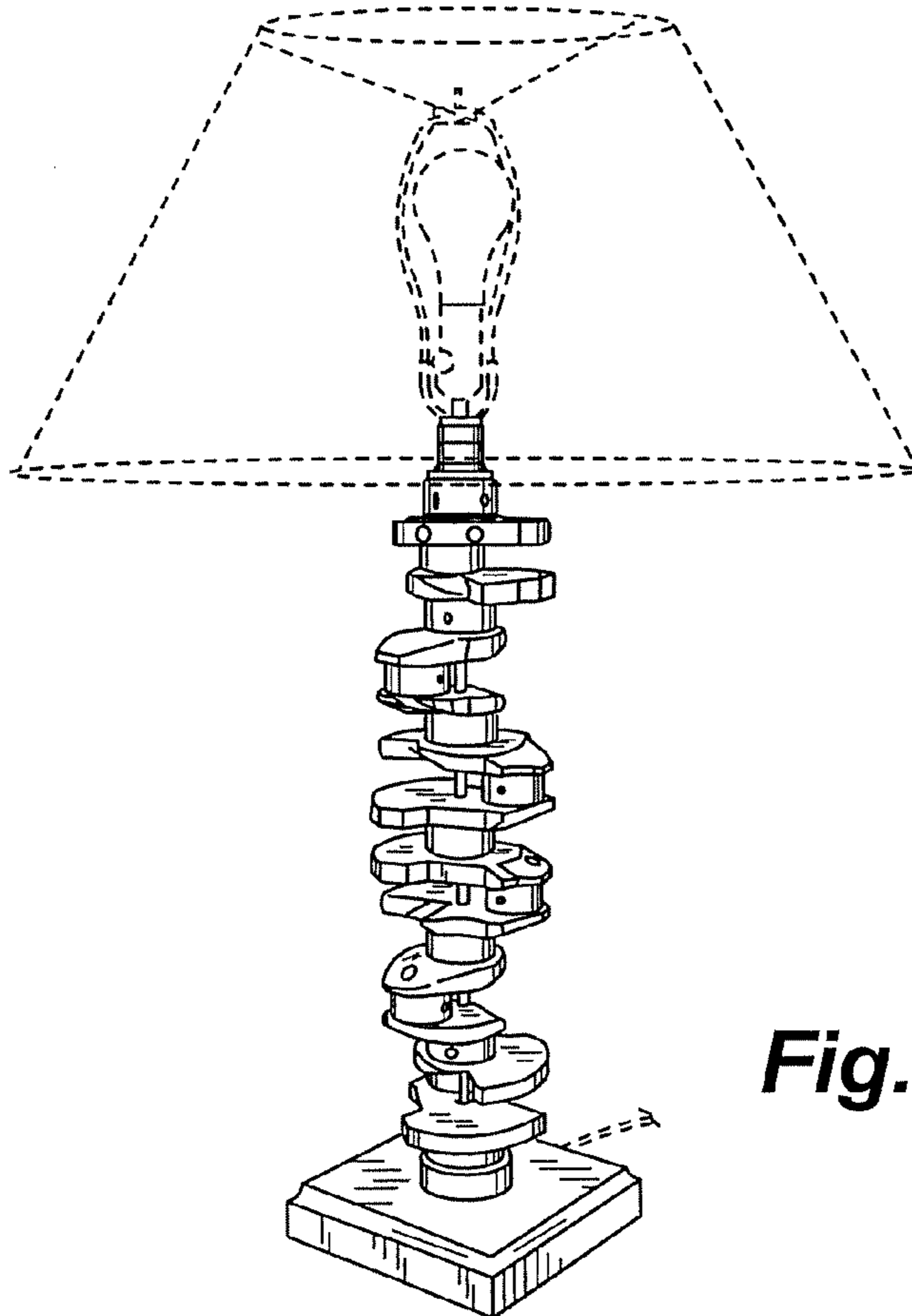


Fig. 1

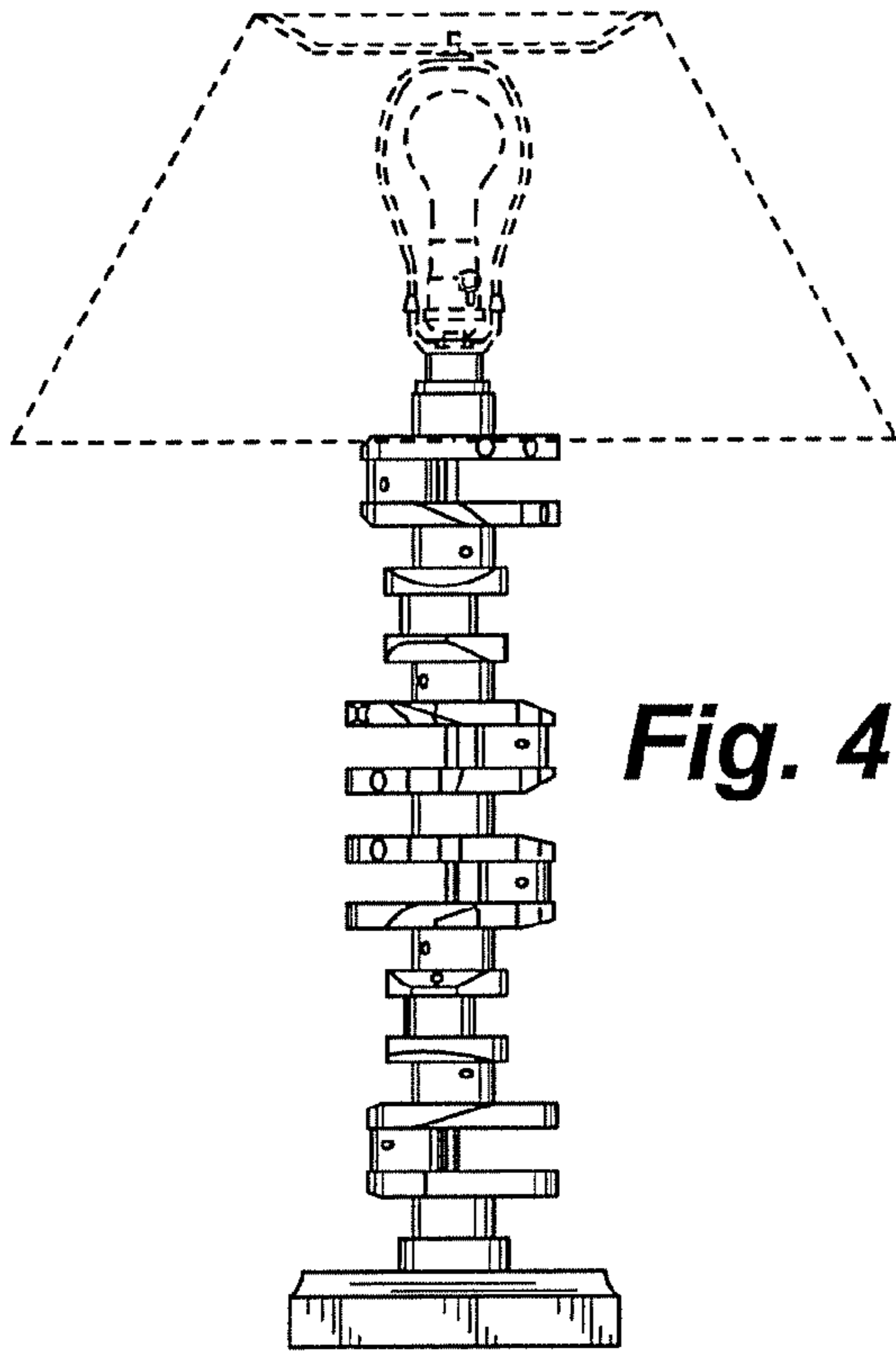


Fig. 4

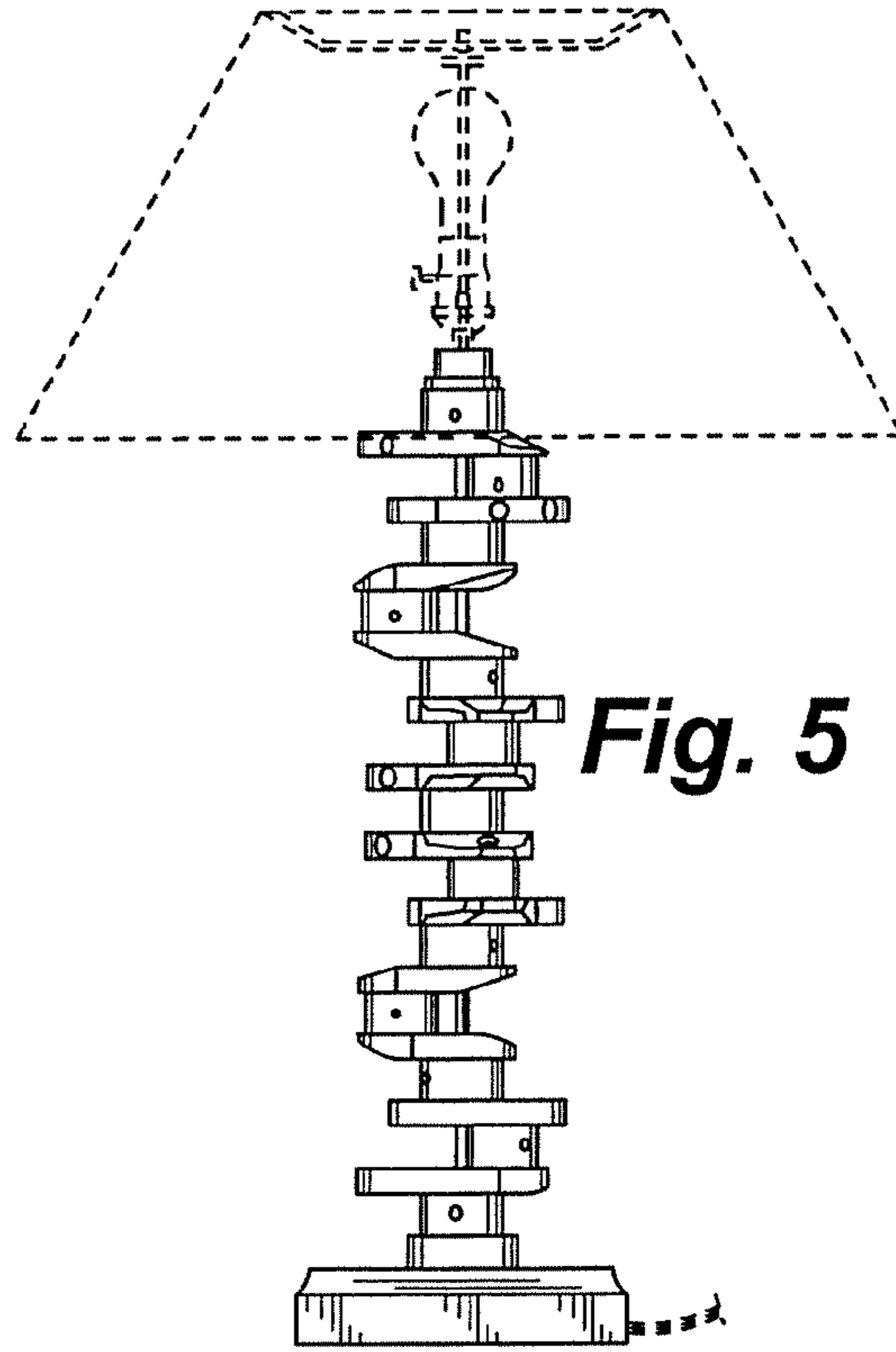


Fig. 5

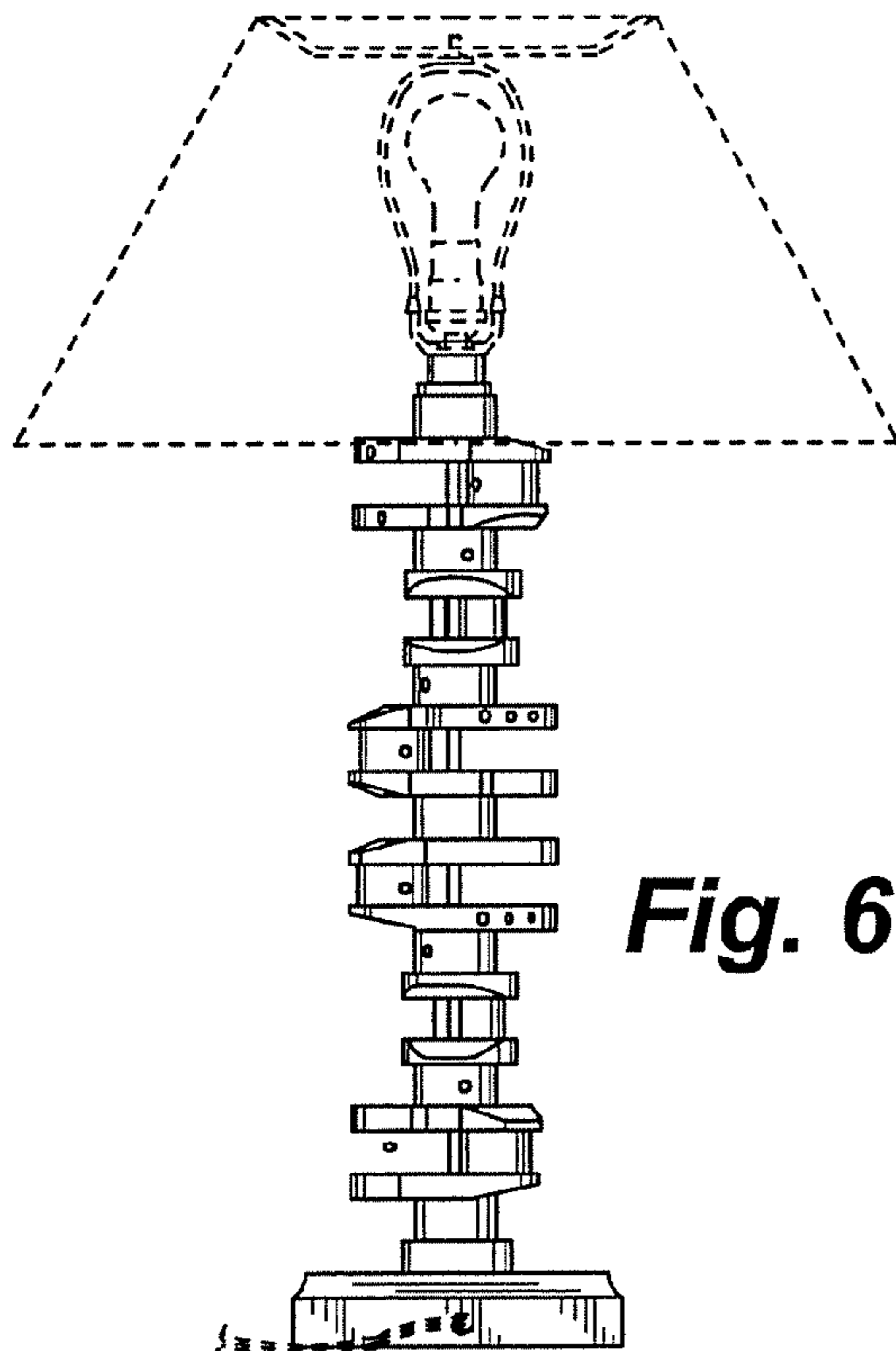


Fig. 6

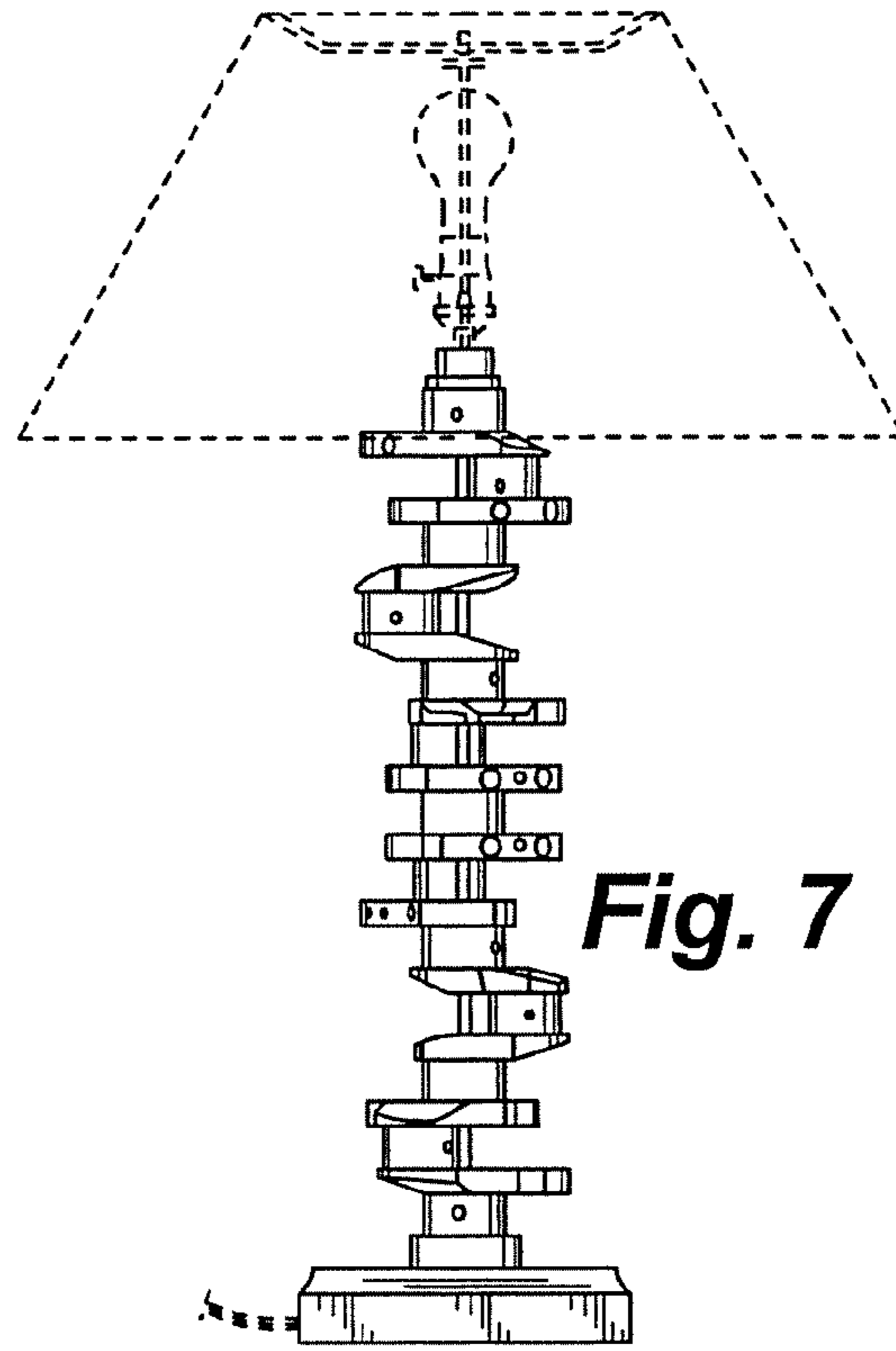


Fig. 7

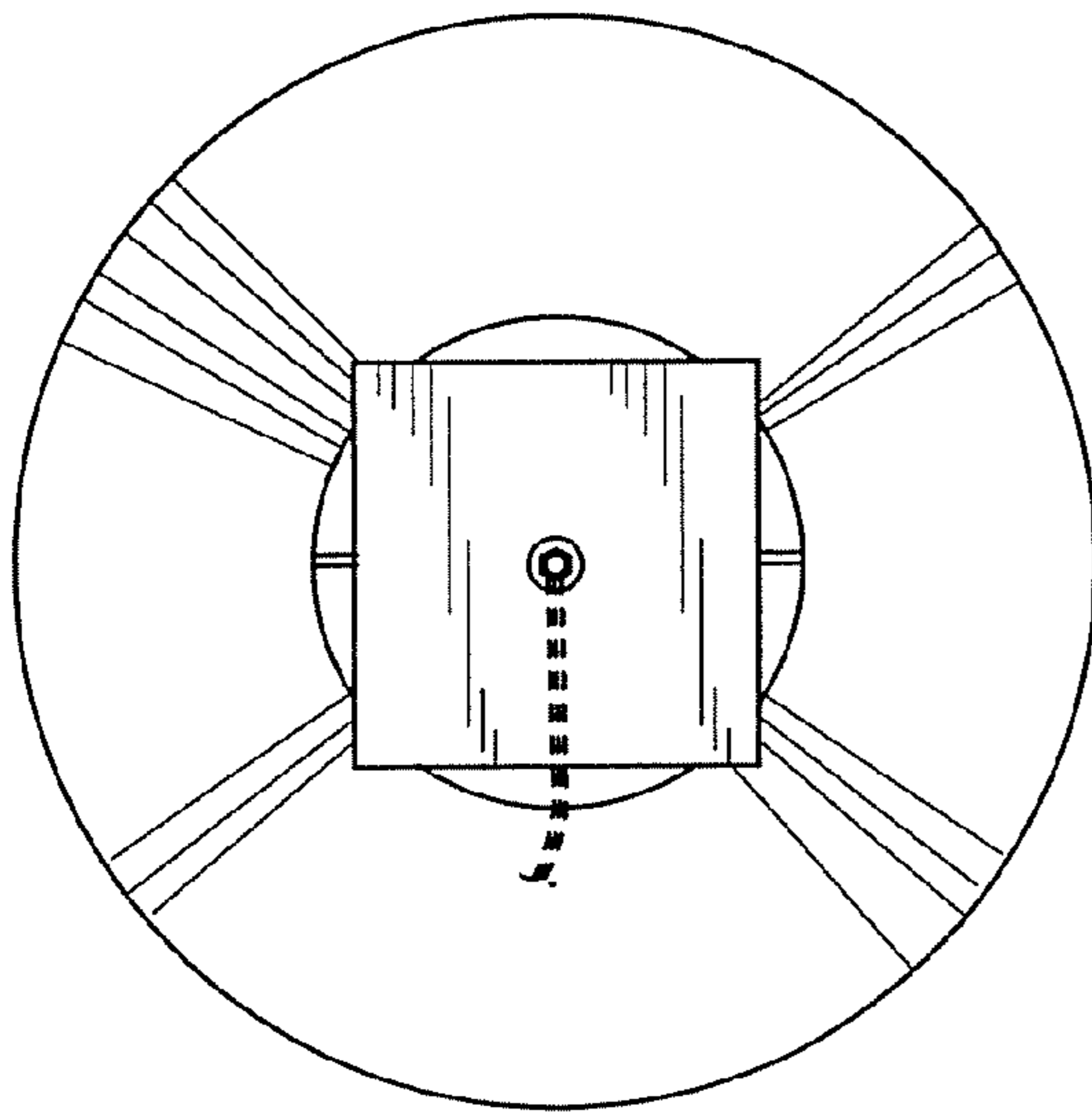


Fig. 9

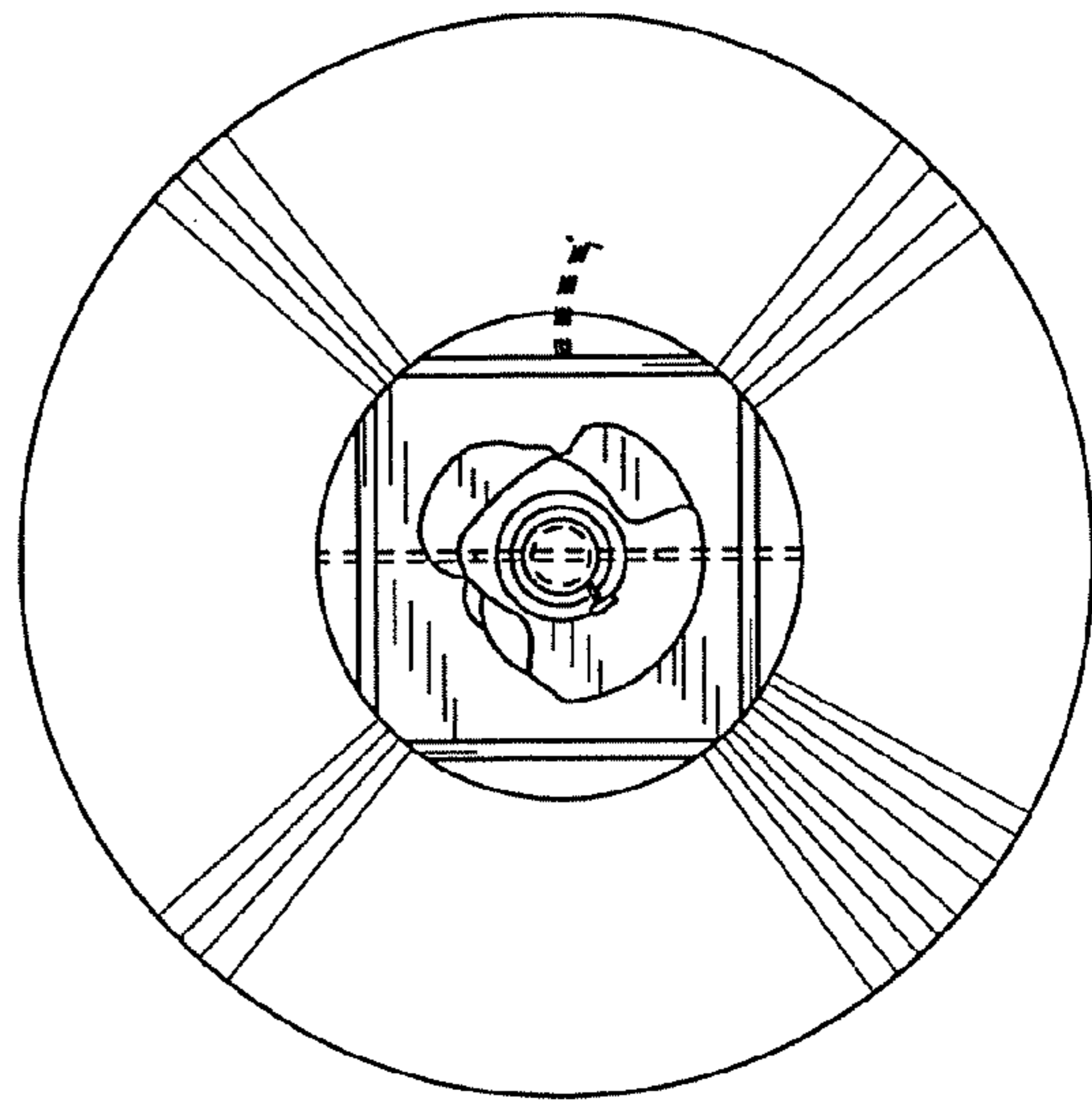


Fig. 10

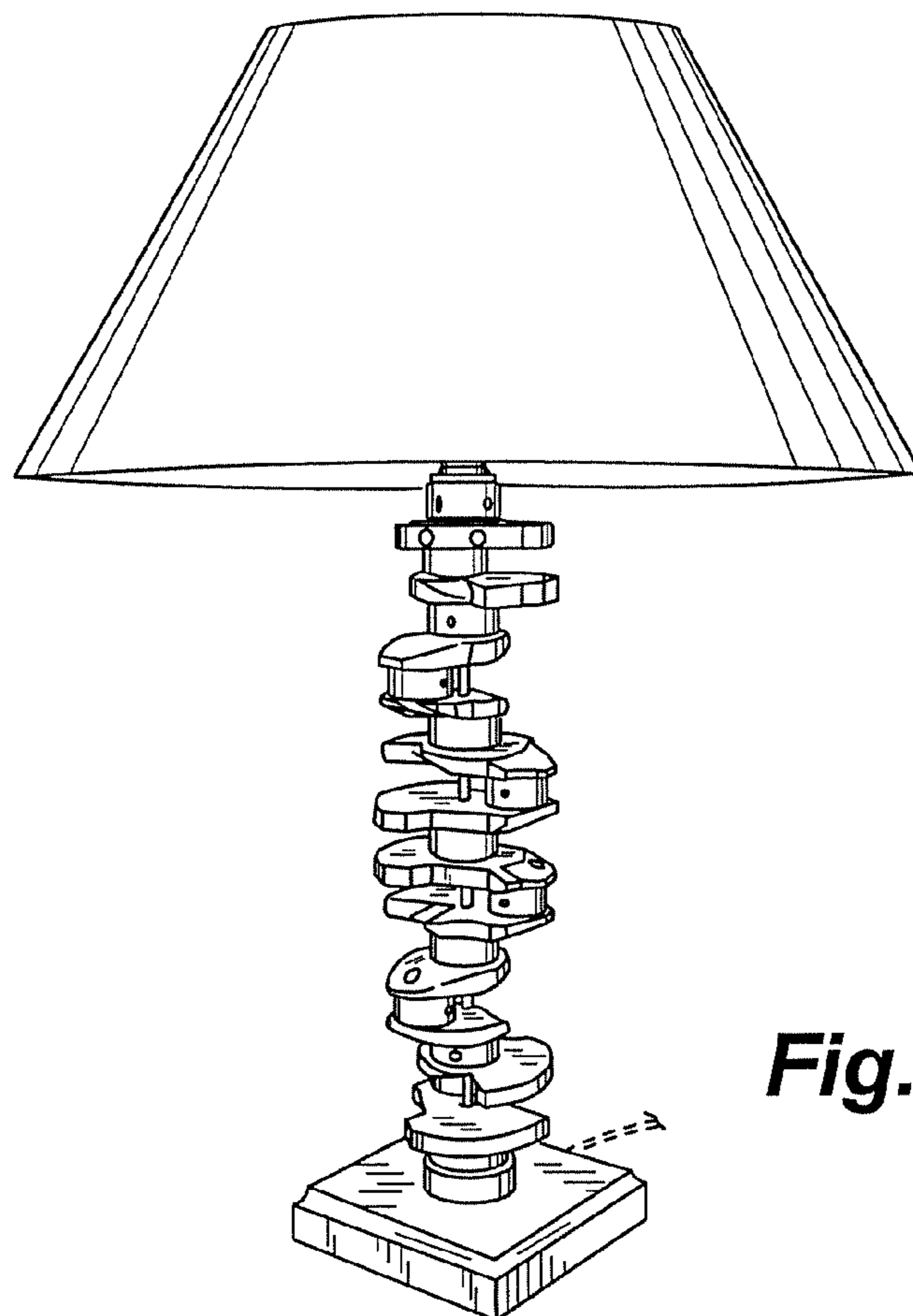


Fig. 8

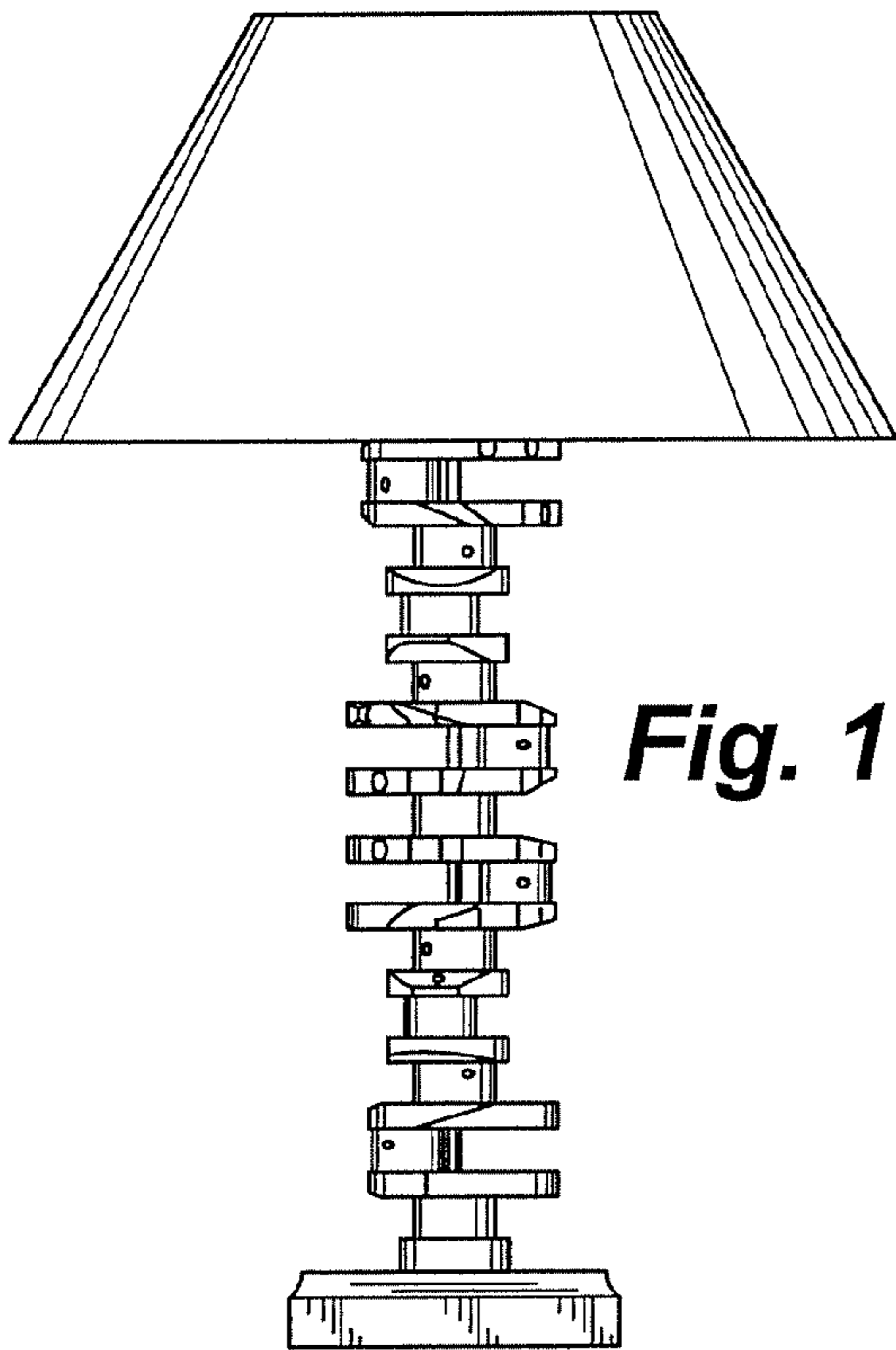


Fig. 11

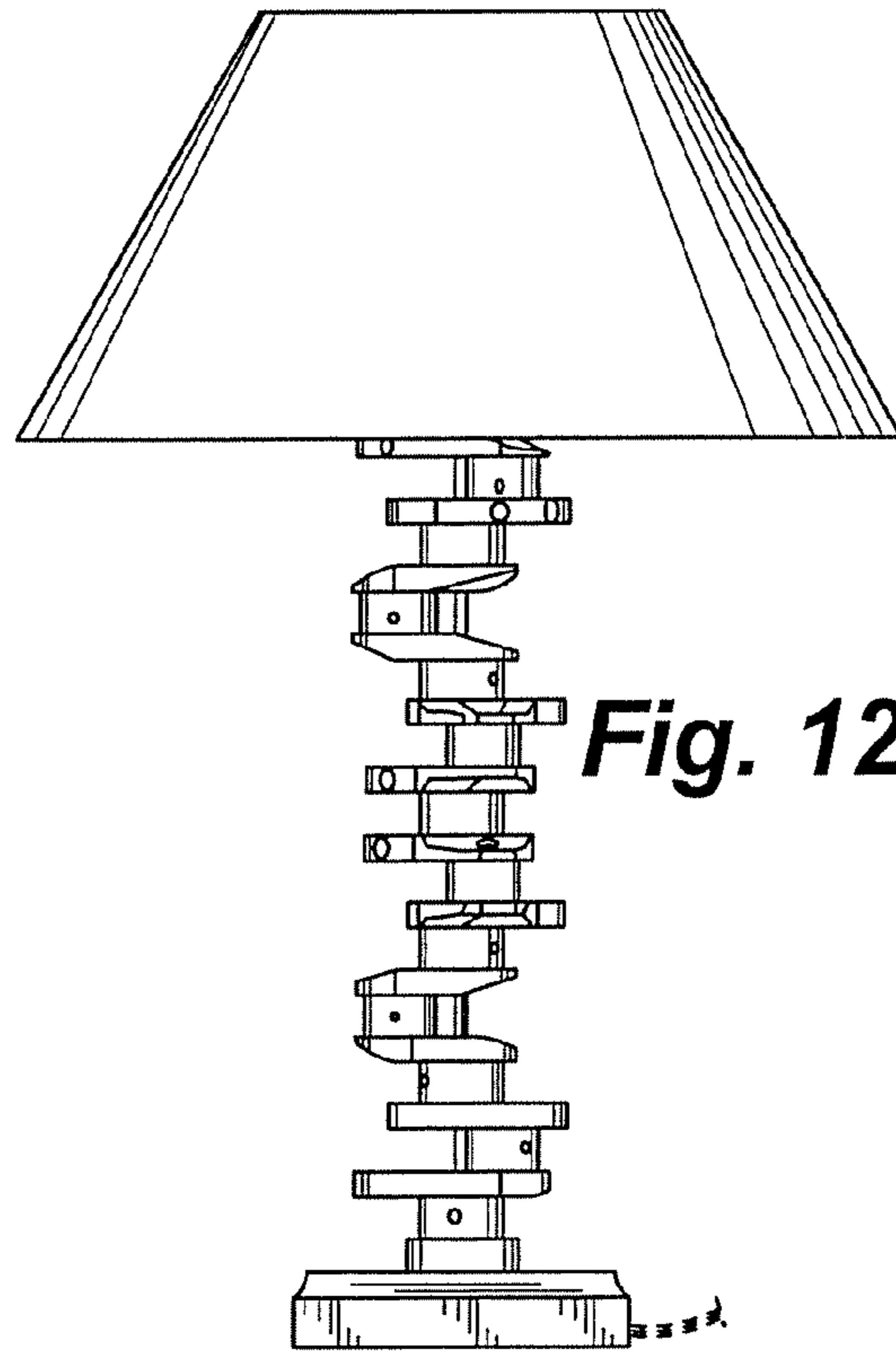


Fig. 12

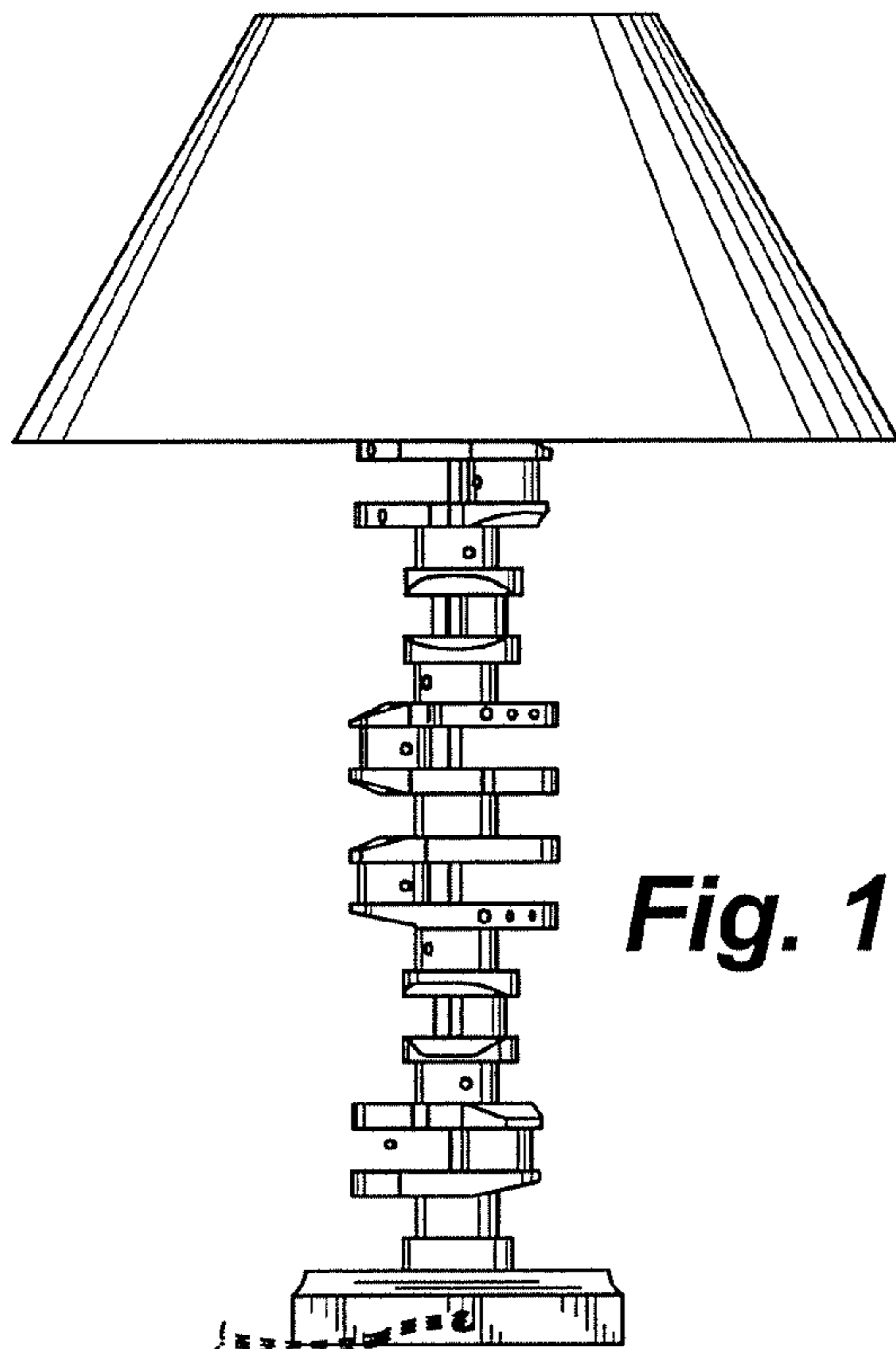


Fig. 13

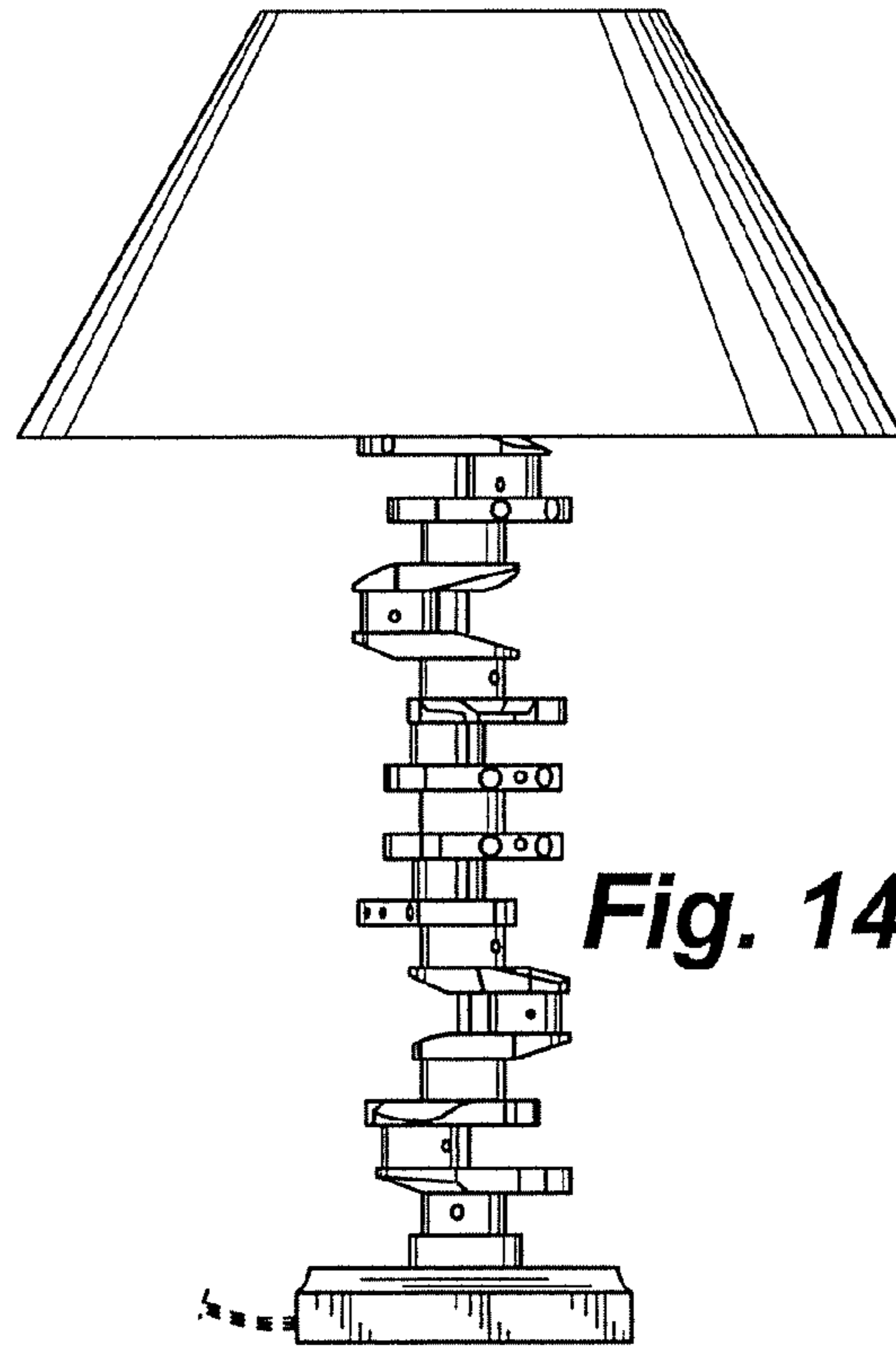


Fig. 14

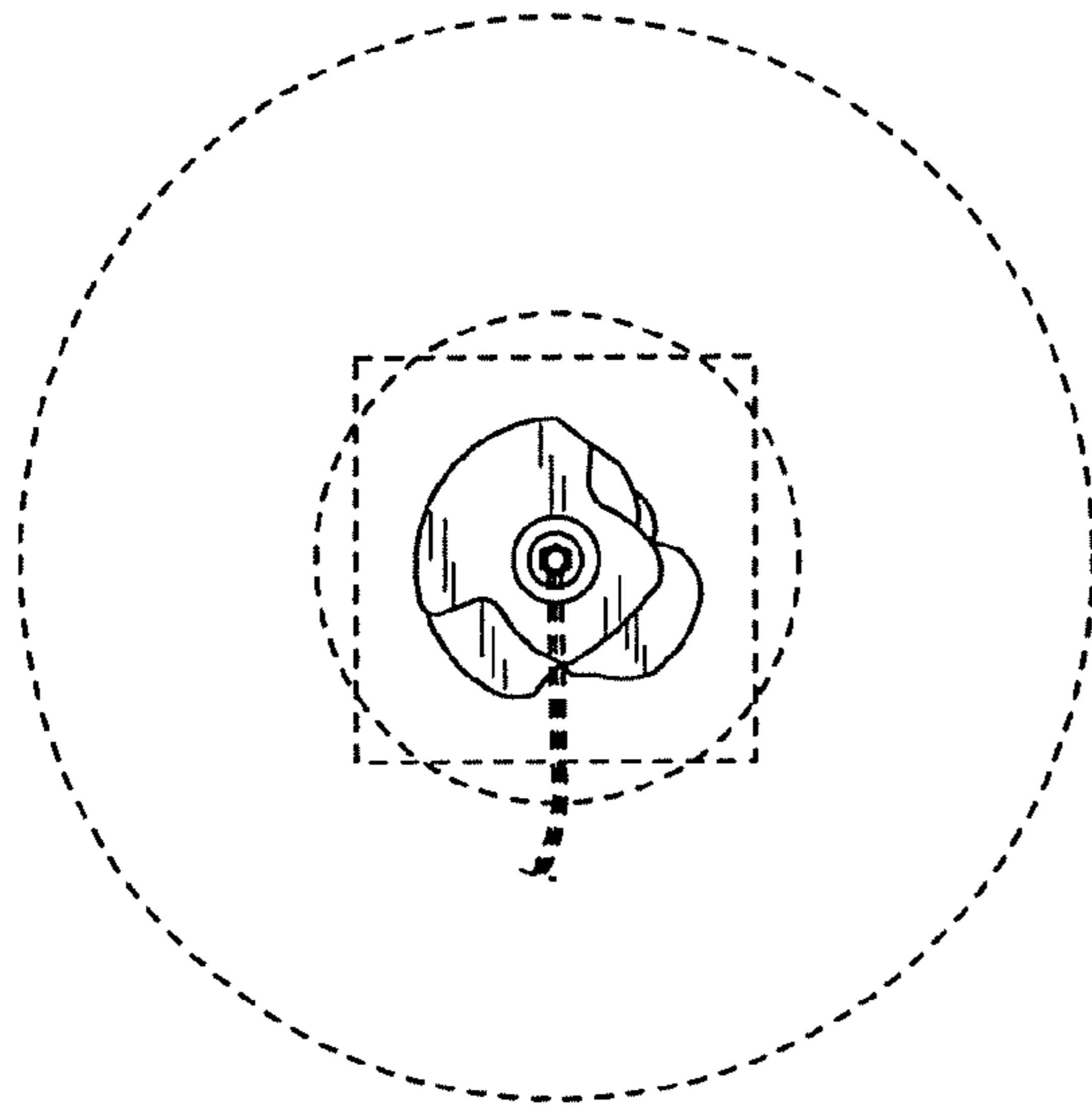


Fig. 16

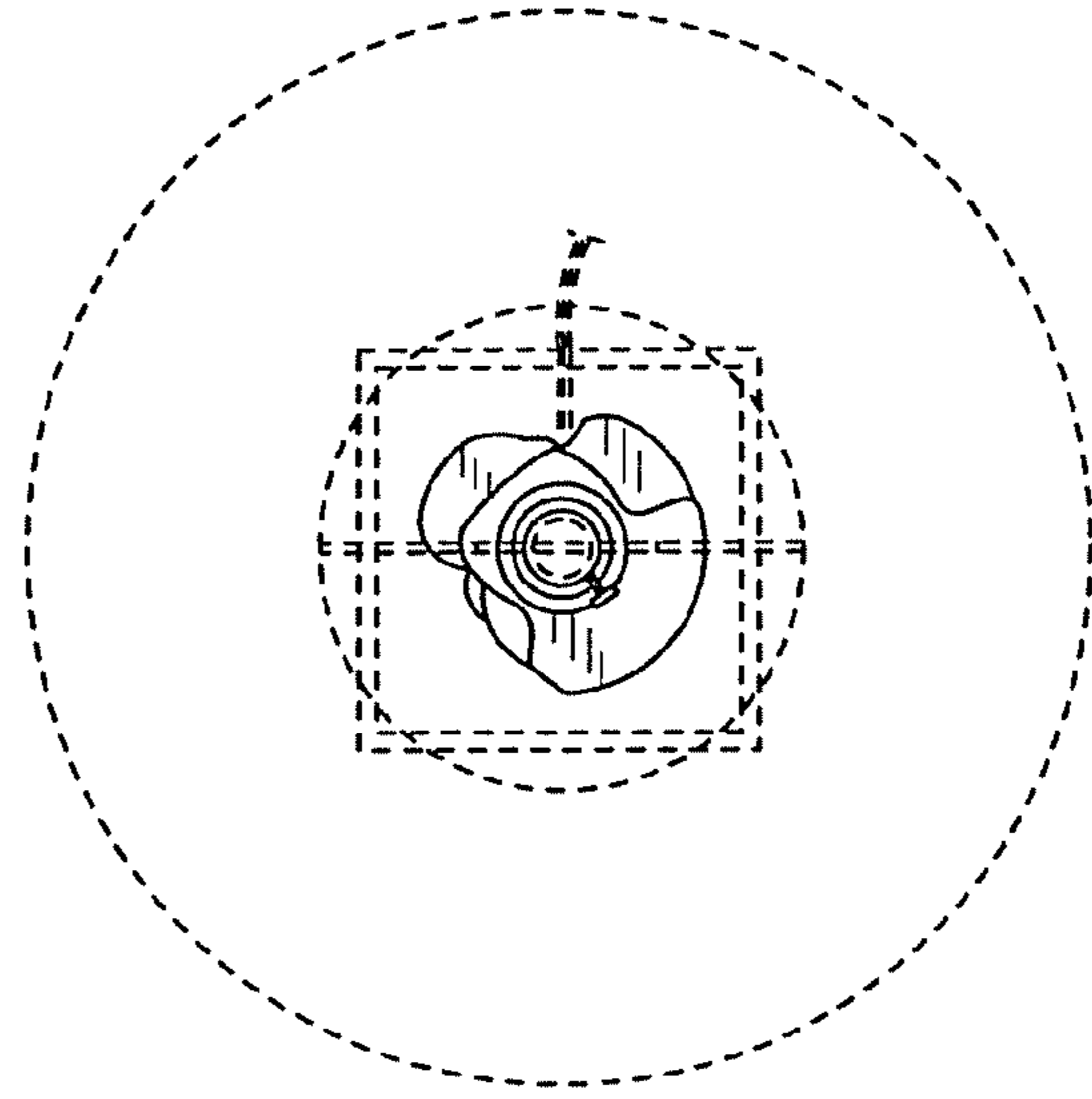


Fig. 17

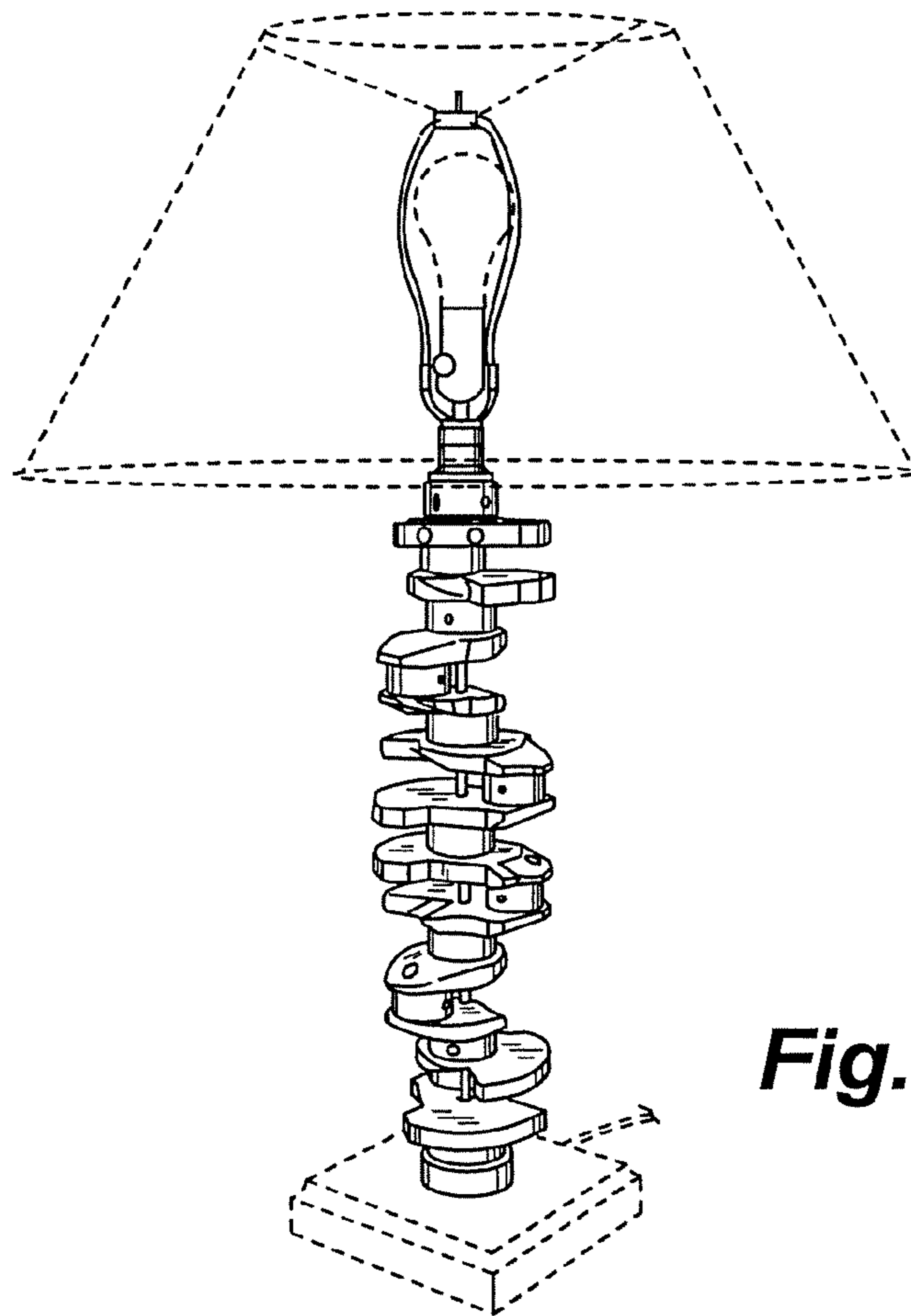


Fig. 15

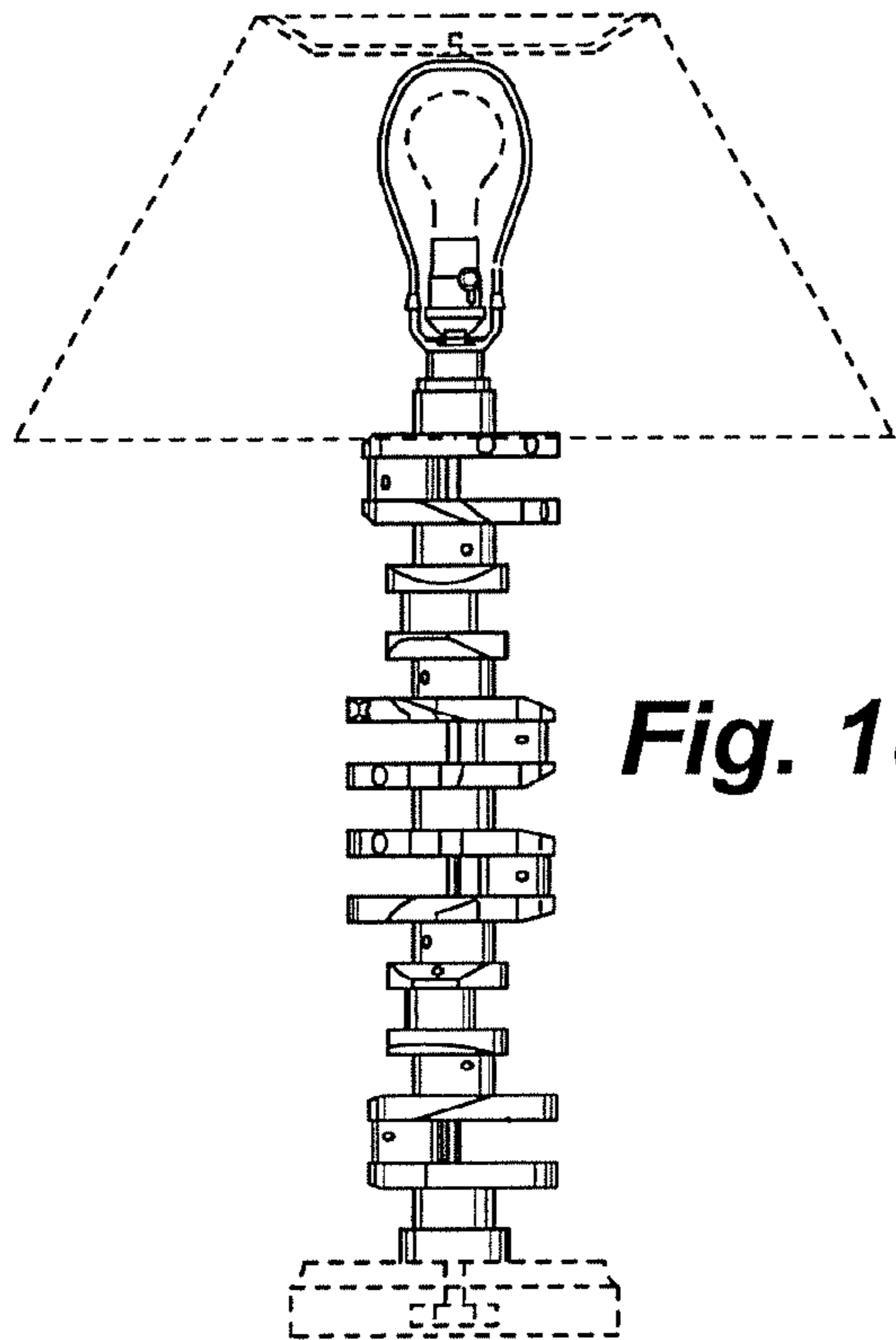


Fig. 18

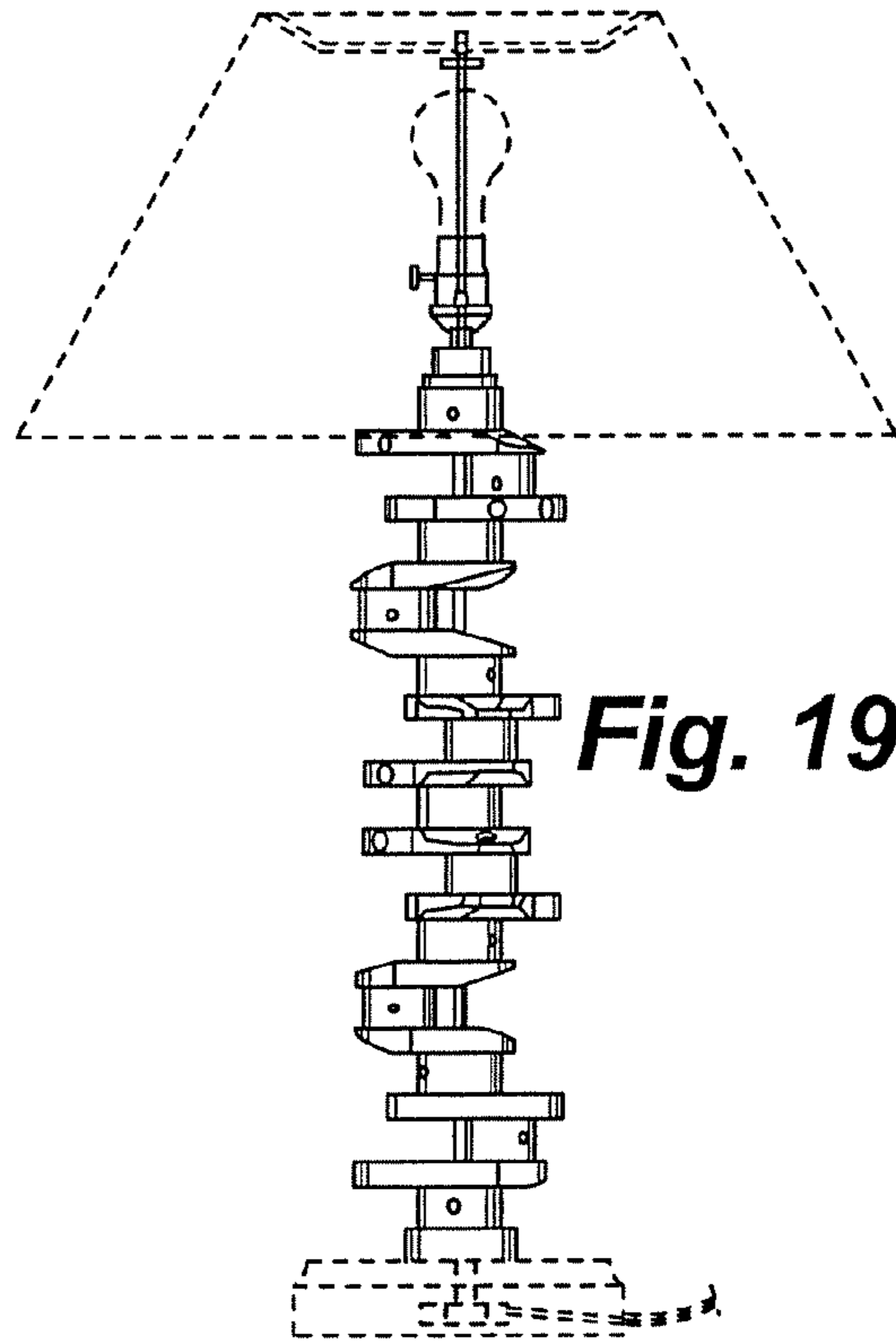


Fig. 19

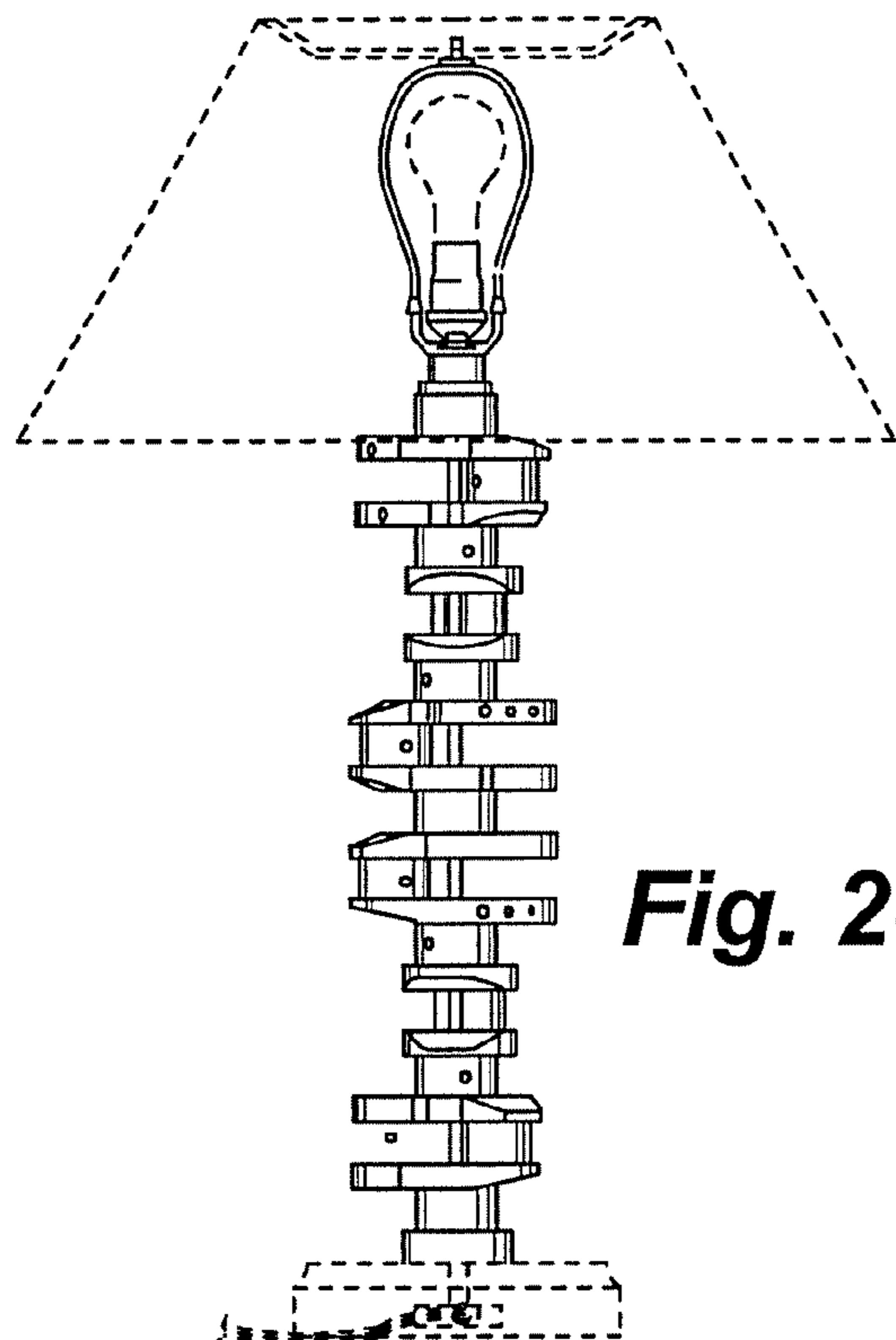


Fig. 20

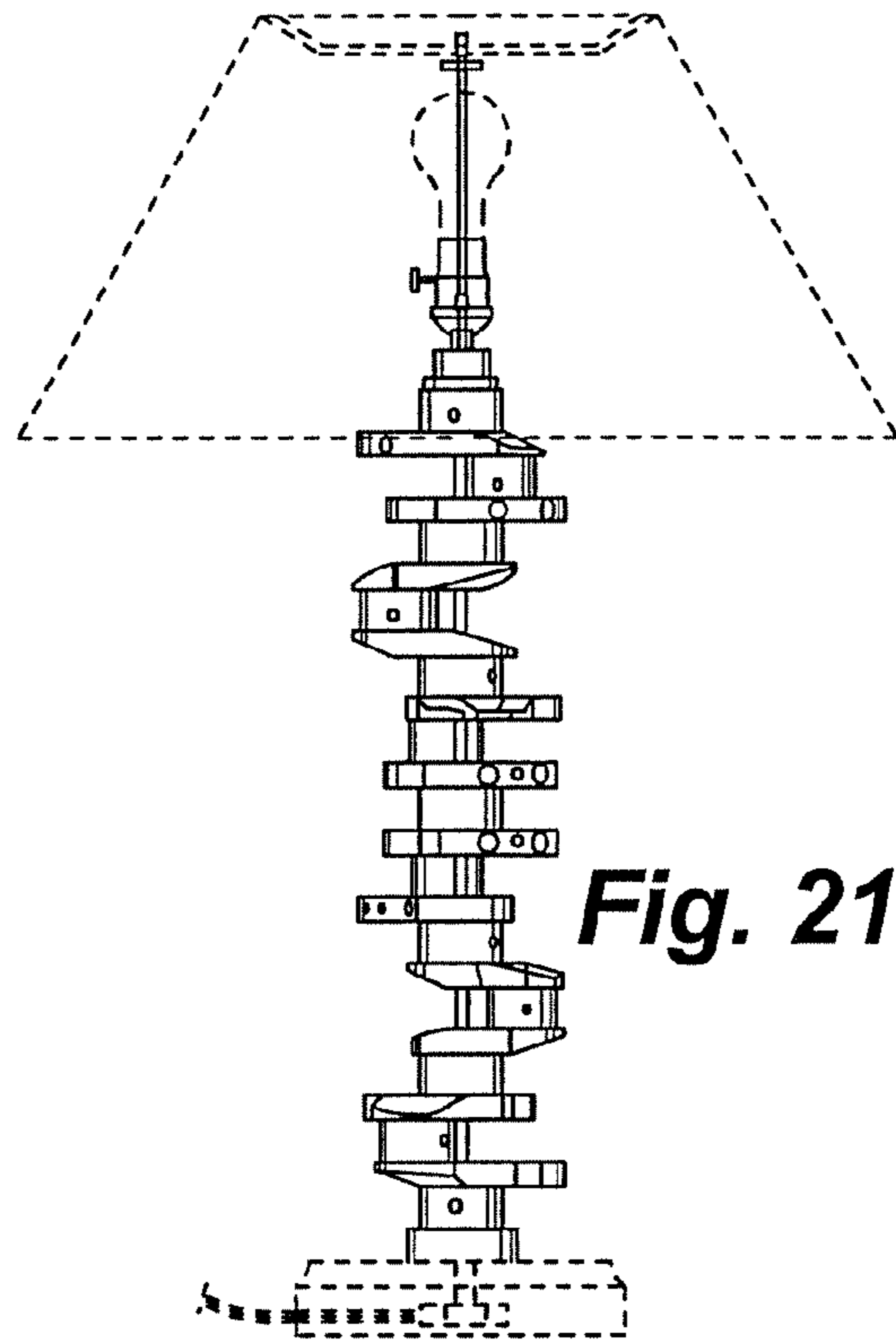


Fig. 21