



US00D575444S

(12) **United States Design Patent**
Lissoni

(10) **Patent No.:** **US D575,444 S**

(45) **Date of Patent:** **** Aug. 19, 2008**

(54) **LAMP**

(75) Inventor: **Piero Lissoni**, Milan (IT)

(73) Assignee: **FLOS S.p.A.**, Bovezzo (Brescia) (IT)

(**) Term: **14 Years**

(21) Appl. No.: **29/249,449**

(22) Filed: **Oct. 6, 2006**

(51) **LOC (8) Cl.** **26-99**

(52) **U.S. Cl.** **D26/137**

(58) **Field of Classification Search** D26/131,
D26/135, 143, 67, 123, 124, 129, 122, 128,
D26/153, 155, 37, 118, 119, 142, 137, 138,
D26/113, 63, 24, 65, 5, 6, 9, 12, 22, 23, 72,
D26/120; 362/431, 612, 555, 565, 572, 147,
362/162, 161, 172, 186, 189, 649, 653, 311,
362/351, 353, 800, 804

See application file for complete search history.

(56) **References Cited**

U.S. PATENT DOCUMENTS

D126,574 S *	4/1941	Deibel	D26/113
D214,081 S *	5/1969	Araki	D26/65
D218,846 S *	9/1970	Wolff	D26/137
D231,559 S *	4/1974	Darling et al.	D26/63
D234,220 S *	1/1975	Donato	D26/65
D237,001 S *	9/1975	Von Serda	D26/137
D239,967 S *	5/1976	Ewing et al.	D26/65
D242,945 S *	1/1977	Moore	D26/65

4,667,278 A *	5/1987	Poyer	362/267
4,814,953 A *	3/1989	Distasio	362/147
4,852,840 A *	8/1989	Marks	248/230.4
D336,536 S *	6/1993	Shaanan et al.	D26/140
D400,989 S *	11/1998	Chen	D26/11
D418,242 S *	12/1999	Diaz-Azcuy	D26/84
D438,664 S *	3/2001	Lewis	D26/86
D464,455 S *	10/2002	Fong et al.	D26/63
D476,439 S *	6/2003	O'Rourke	D26/63
D479,623 S *	9/2003	Fu	D26/118
D507,668 S *	7/2005	Kwong	D26/24

* cited by examiner

Primary Examiner—Freda S. Nunn

Assistant Examiner—Kevin K Rudzinski

(74) *Attorney, Agent, or Firm*—McGlew & Tuttle, P.C.

(57) **CLAIM**

The ornamental design for a lamp, as shown and described.

DESCRIPTION

FIG. 1 is a perspective view of a lamp of the present design;

FIG. 2 is a front elevation view thereof;

FIG. 3 is a bottom view thereof;

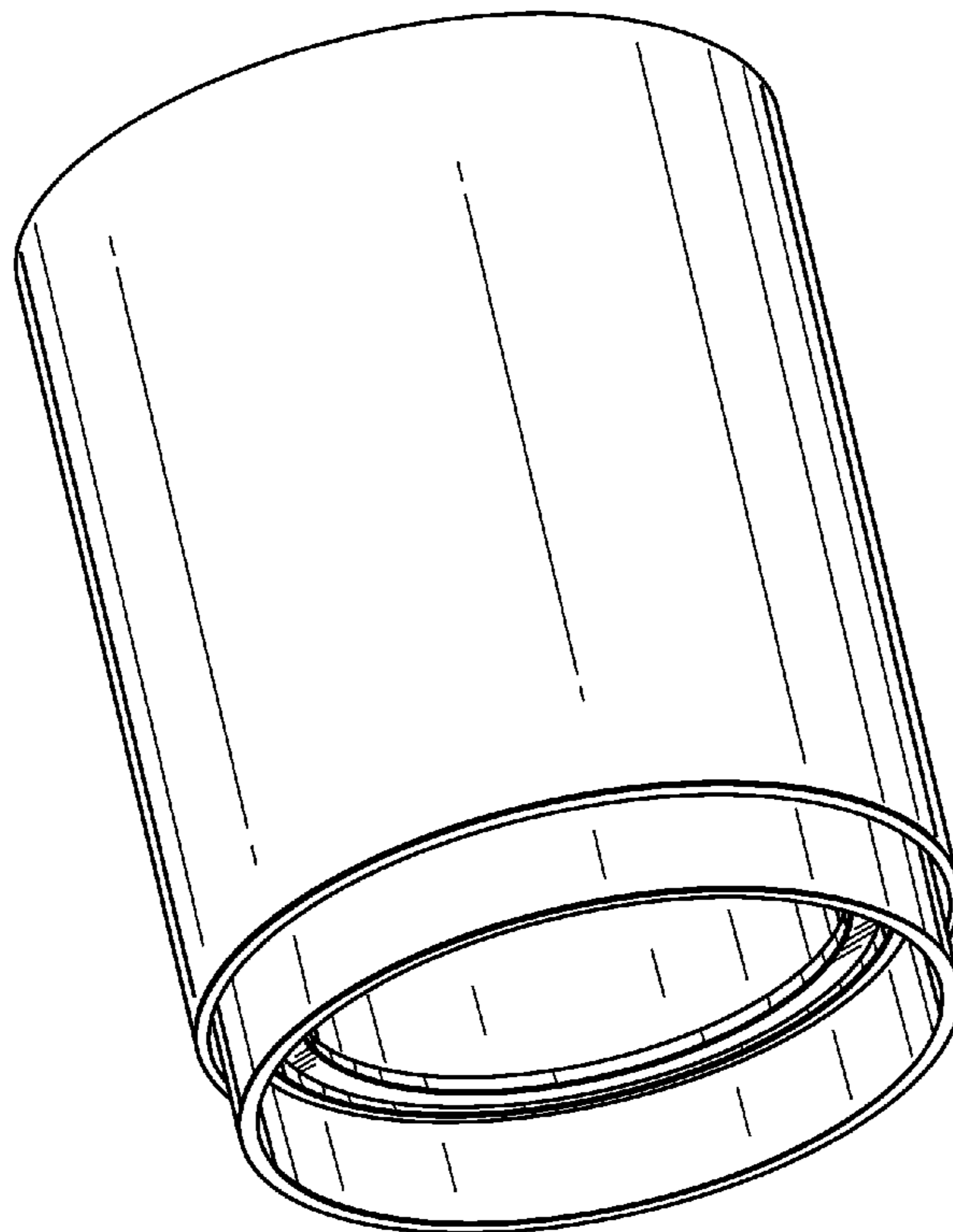
FIG. 4 is a top view thereof;

FIG. 5 is a rear elevation view thereof;

FIG. 6 is a right side view thereof; and,

FIG. 7 is a left side view thereof.

1 Claim, 4 Drawing Sheets



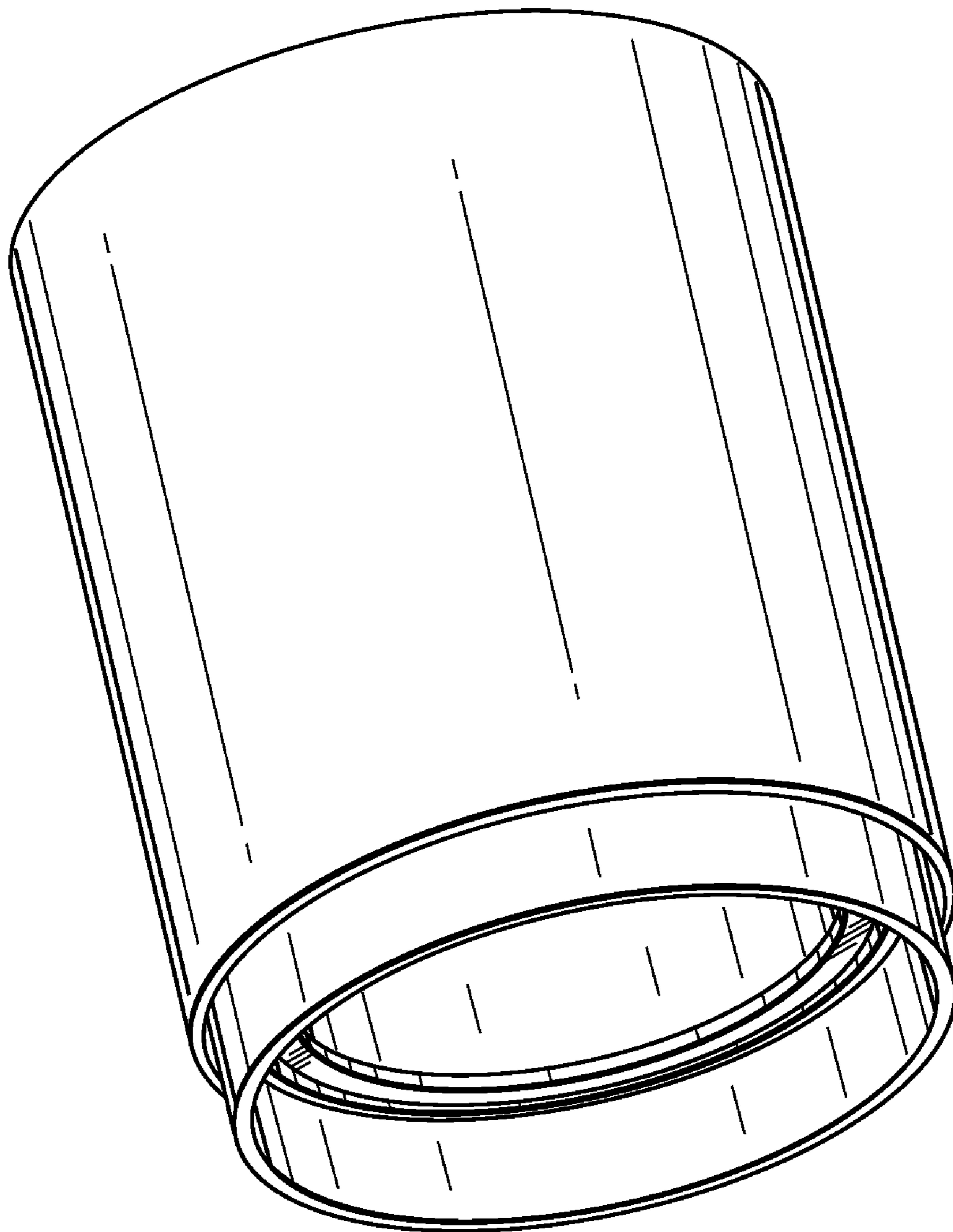


FIG. 1

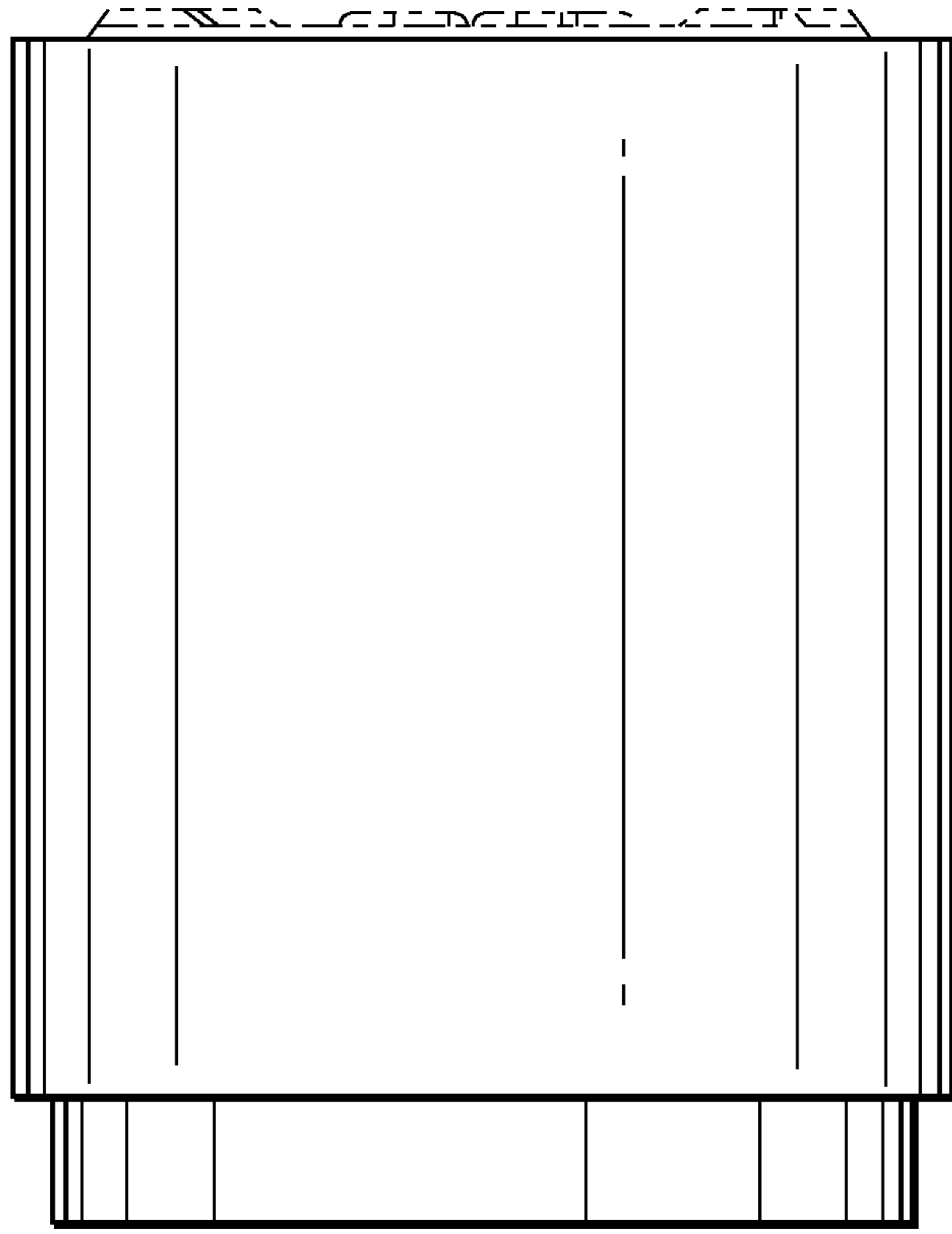


FIG. 2

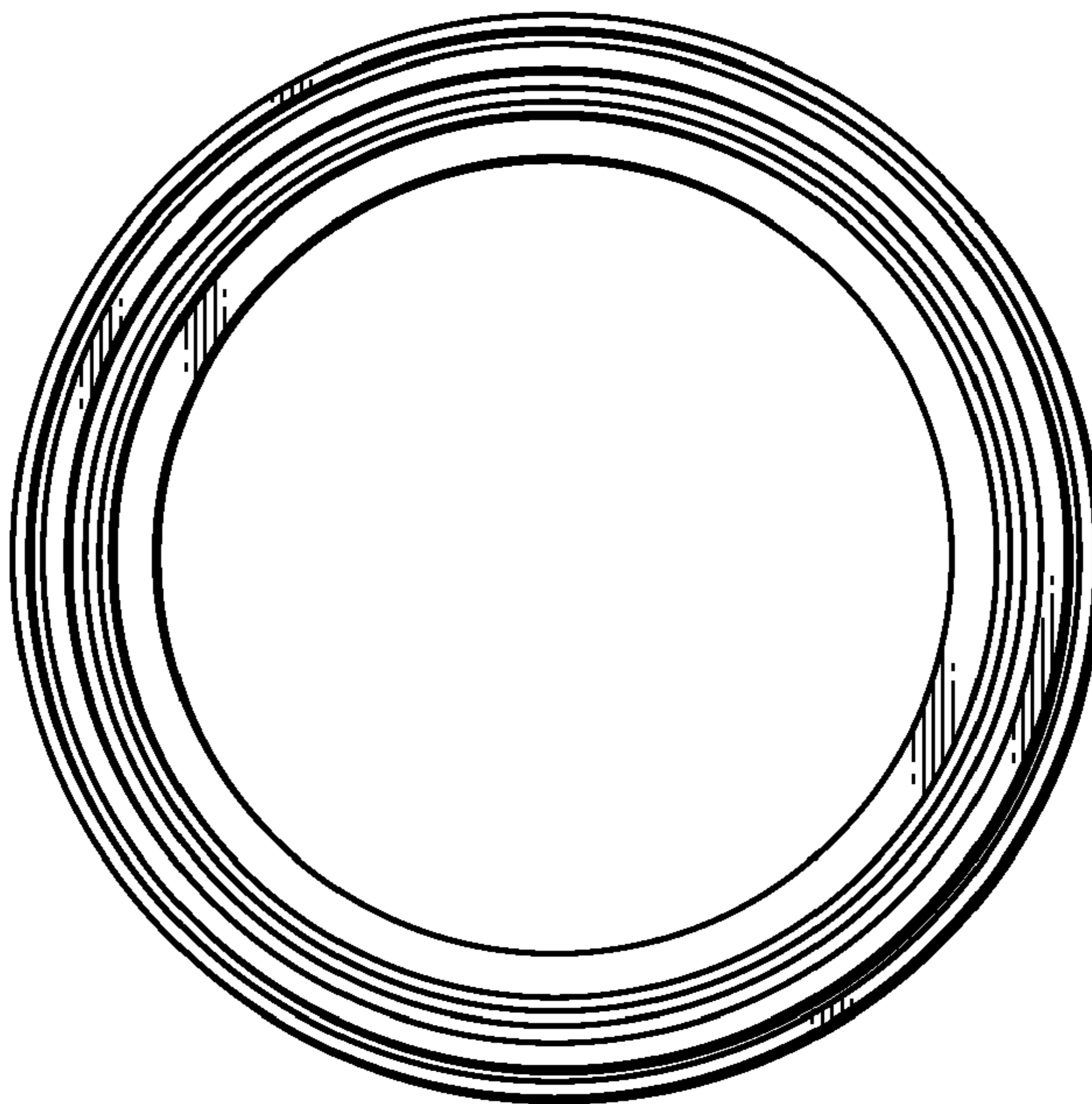


FIG. 3

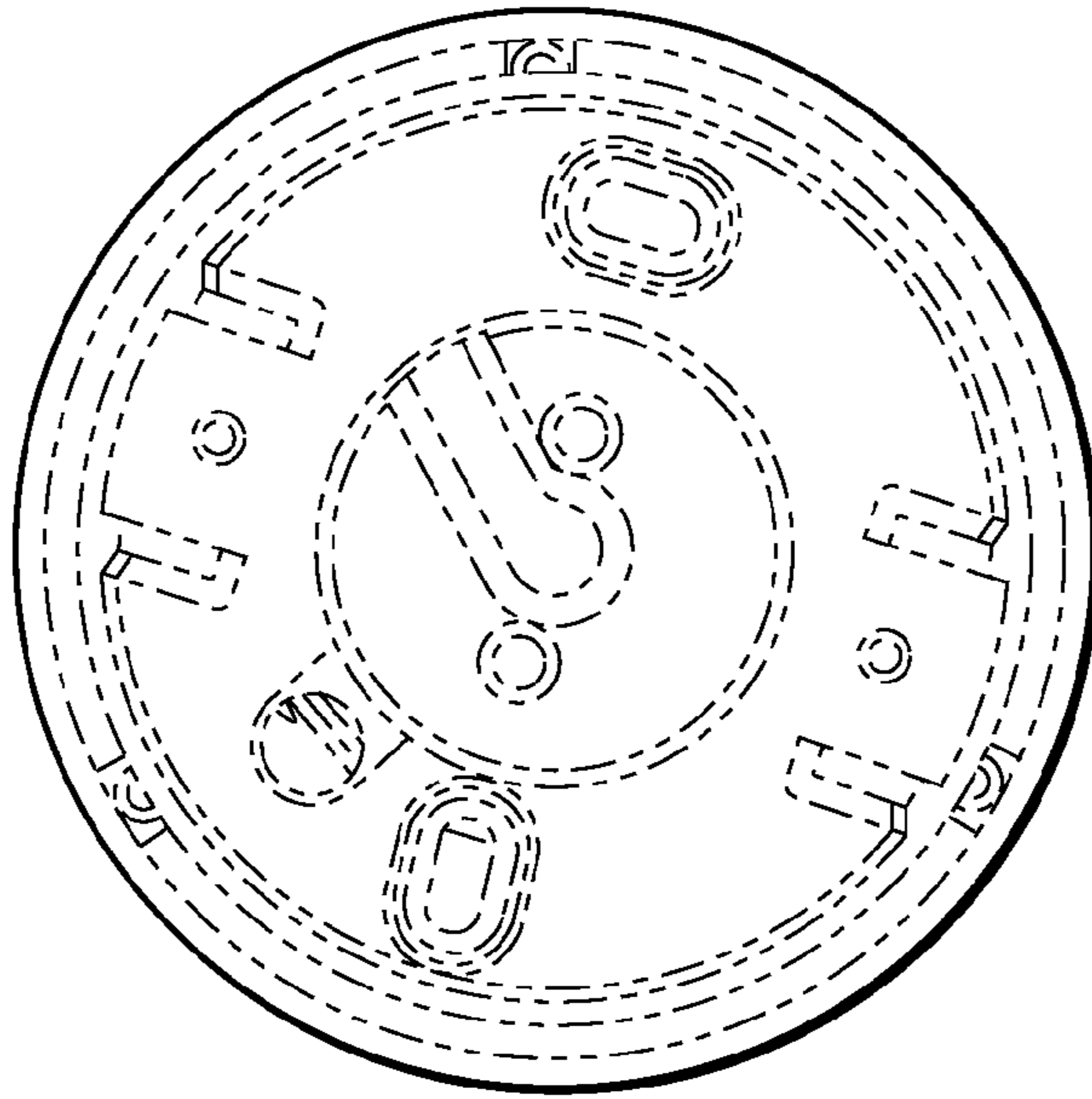


FIG. 4

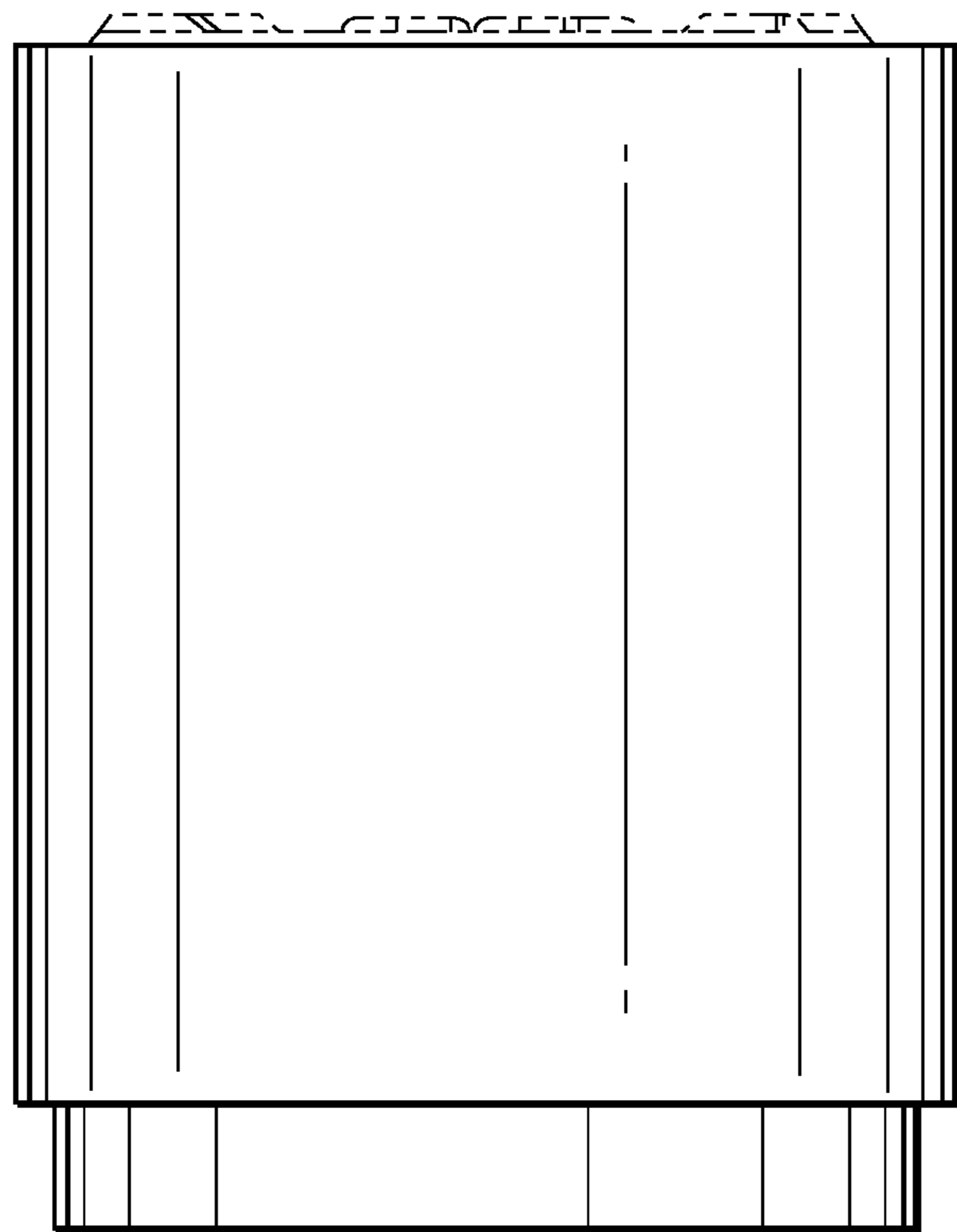


FIG. 5

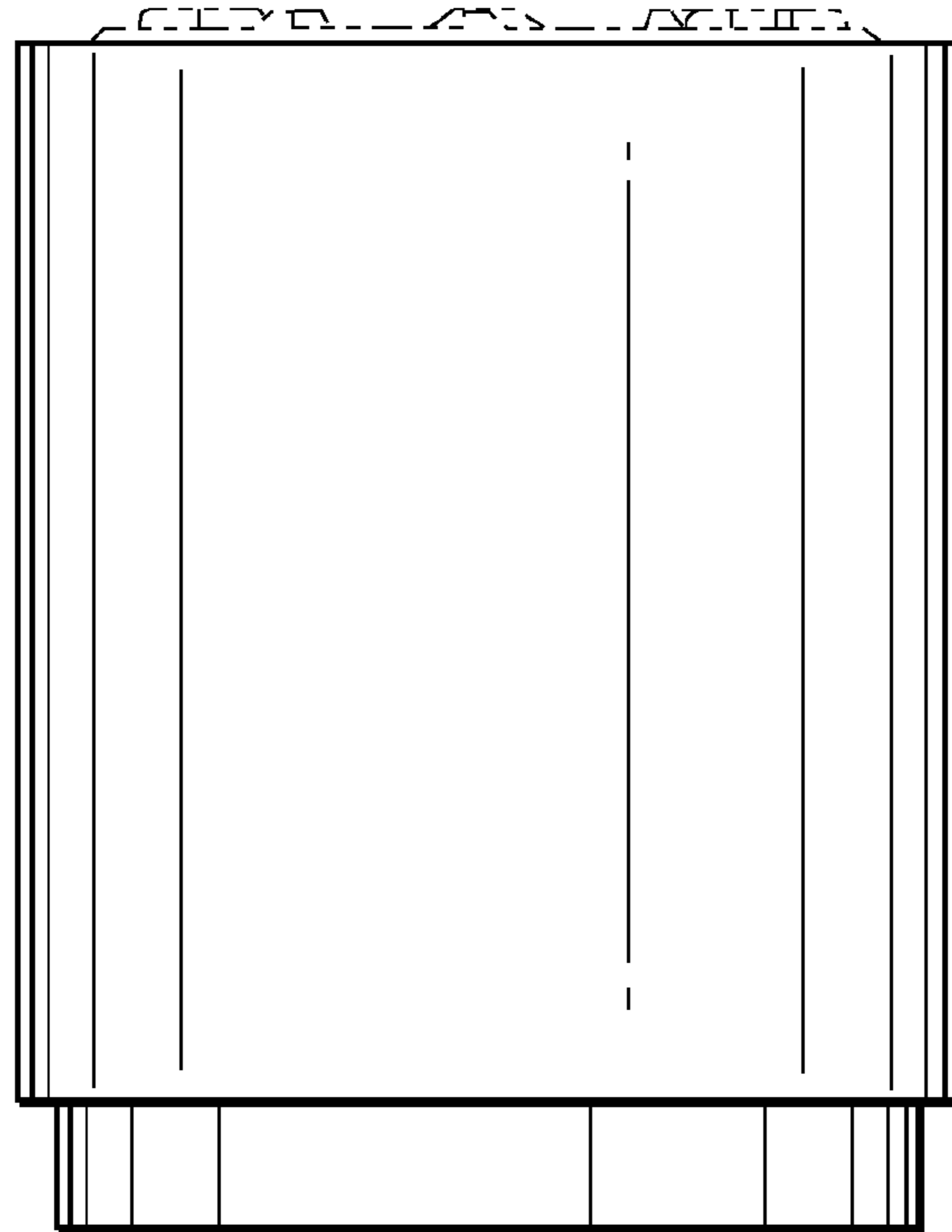


FIG. 6

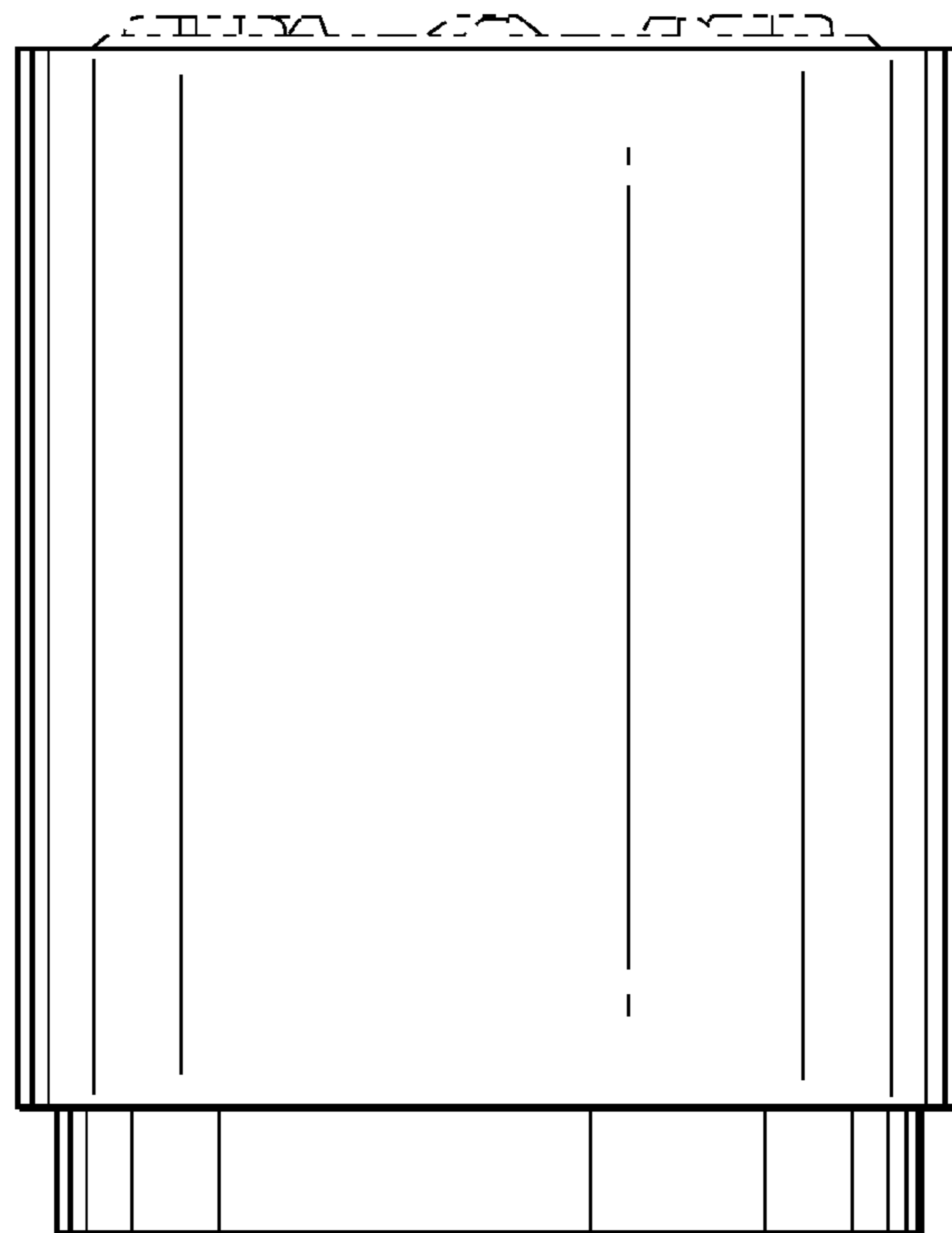


FIG. 7