



US00D575442S

(12) **United States Design Patent**
Pelzl

(10) **Patent No.:** **US D575,442 S**

(45) **Date of Patent:** **** Aug. 19, 2008**

(54) **LAMP**

(75) Inventor: **Nik Pelzl**, Vienna (AT)

(73) Assignee: **Swarovski Aktiengesellschaft**, Triesen (LI)

(**) Term: **14 Years**

(21) Appl. No.: **29/300,401**

(22) Filed: **Mar. 21, 2008**

Related U.S. Application Data

(62) Division of application No. 29/267,325, filed on Oct. 12, 2006, now Pat. No. Des. 570,527.

(30) **Foreign Application Priority Data**

Apr. 13, 2006 (EM) 512835

(51) **LOC (8) Cl.** **26-99**

(52) **U.S. Cl.** **D26/124; D26/138**

(58) **Field of Classification Search** D26/72,
D26/84, 85, 86, 88-91, 118, 124, 128, 130,
D26/131, 135, 137, 138; 362/147, 404, 407
See application file for complete search history.

(56) **References Cited**

U.S. PATENT DOCUMENTS

- D40,221 S * 8/1909 Pitner D26/88
- D48,491 S * 2/1916 Graeser D26/128
- D51,085 S * 7/1917 Vaughn D26/88
- D129,699 S * 9/1941 Cidissen D26/128
- 2,707,228 A * 4/1955 Philipson 362/208
- 2,753,445 A * 7/1956 Bixby et al. 362/404

- D189,313 S * 11/1960 Rambusch et al. D26/88
- 3,259,740 A * 7/1966 Burnbaum 362/338
- D307,060 S * 4/1990 Fraser D26/88
- D315,220 S * 3/1991 Ramelia D26/88
- D341,441 S * 11/1993 Shapiro D26/118
- D342,338 S * 12/1993 Thun D26/88
- D379,550 S * 5/1997 Kuo D26/131
- D404,168 S * 1/1999 Dolan D26/88
- D405,553 S * 2/1999 Stewart D26/88
- D418,625 S * 1/2000 Dolan D26/88
- D433,526 S * 11/2000 Minissi et al. D26/88
- D463,611 S * 9/2002 Thompson D26/124
- D472,669 S * 4/2003 Homann D26/118
- D516,235 S * 2/2006 Rashidi D26/74

* cited by examiner

Primary Examiner—Clare E Heflin

(74) *Attorney, Agent, or Firm*—Wenderoth, Lind & Ponack, L.L.P.

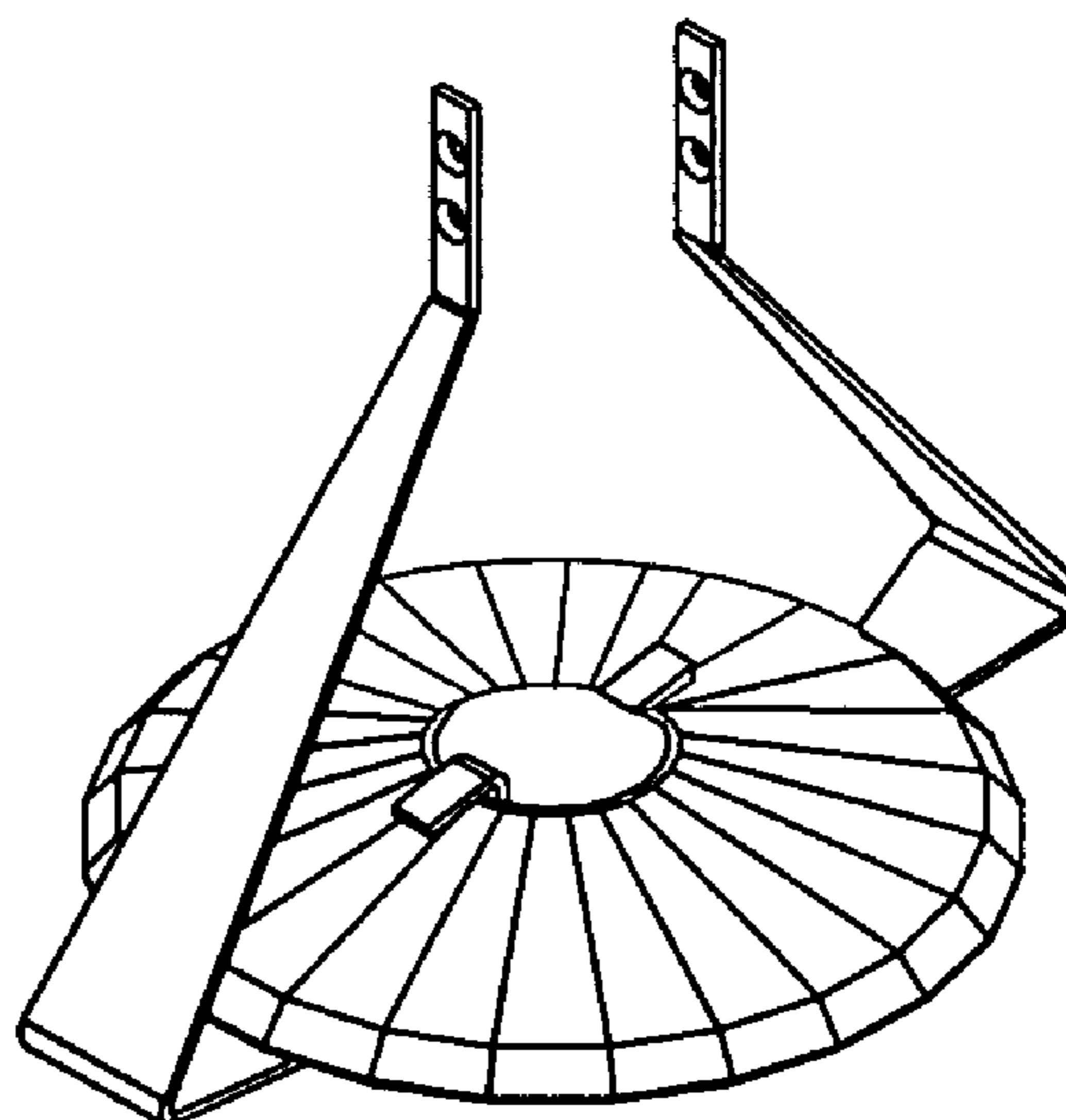
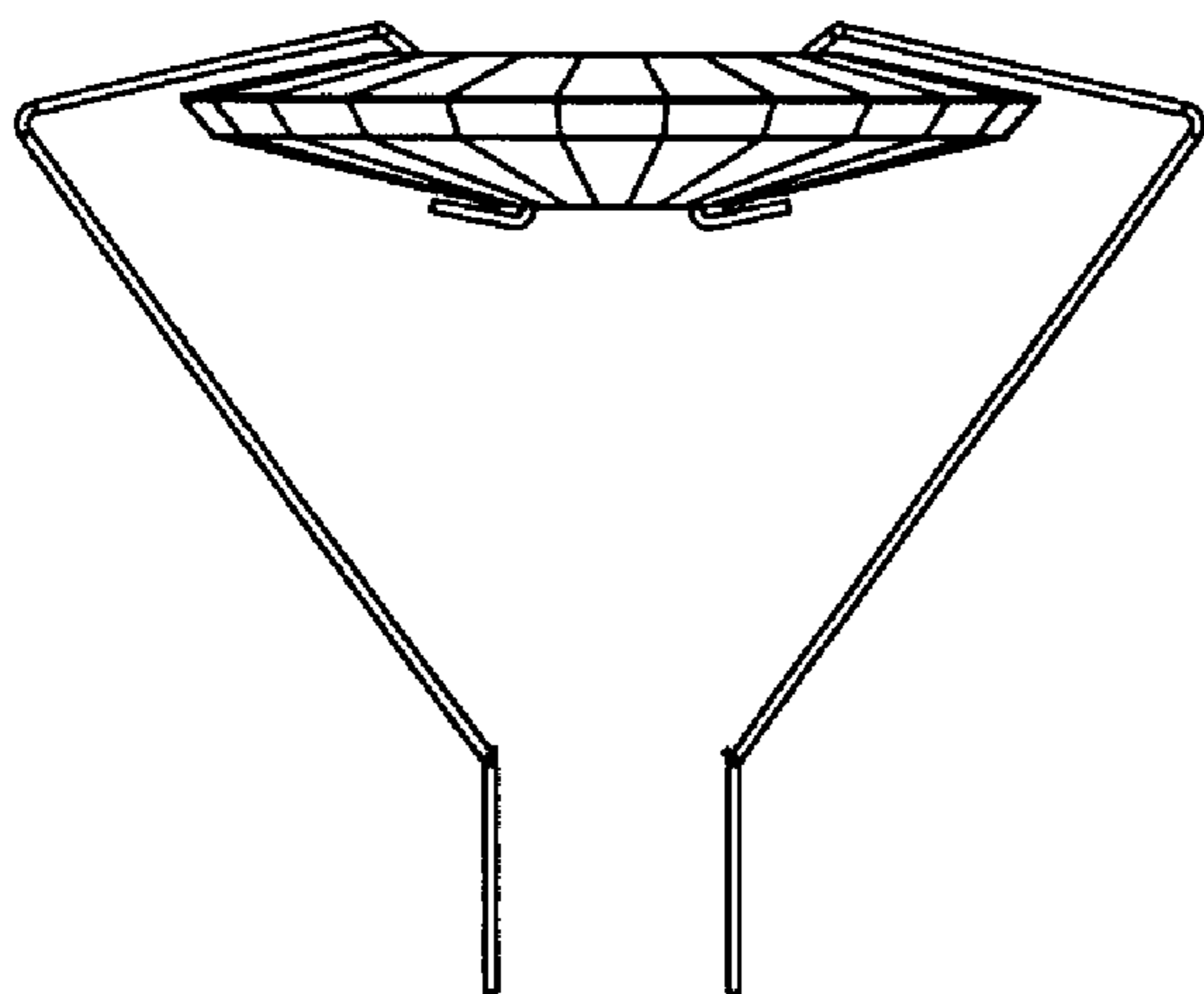
(57) **CLAIM**

I claim the ornamental design for a lamp, as shown and described.

DESCRIPTION

FIG. 1 is a front view of the lamp showing the present design;
FIG. 2 is a back view thereof;
FIG. 3 is a bottom view thereof;
FIG. 4 is a top view thereof;
FIG. 5 is a left side view thereof;
FIG. 6 is a right side view thereof; and,
FIG. 7 is a bottom perspective view thereof.

1 Claim, 1 Drawing Sheet



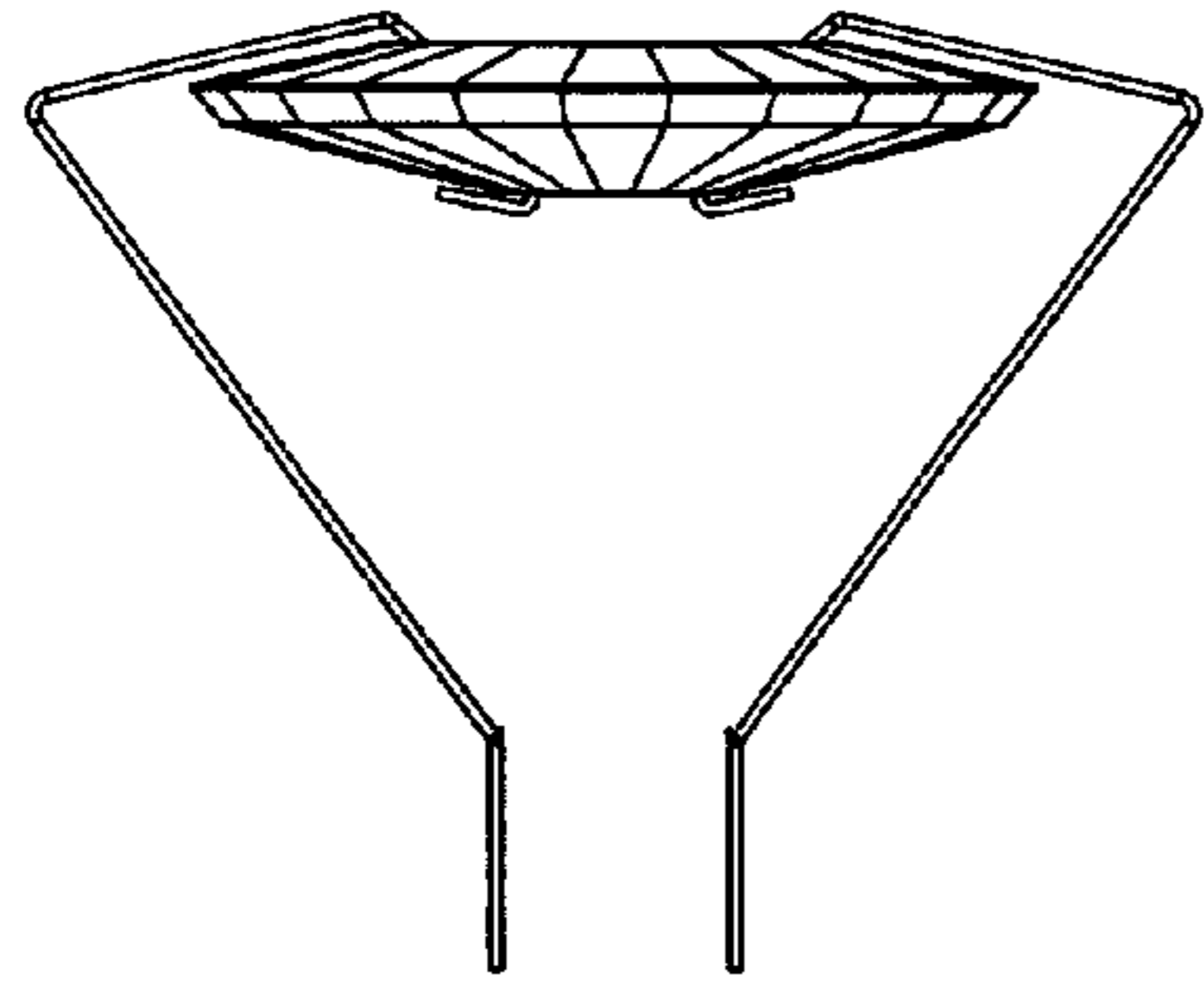


Fig. 1

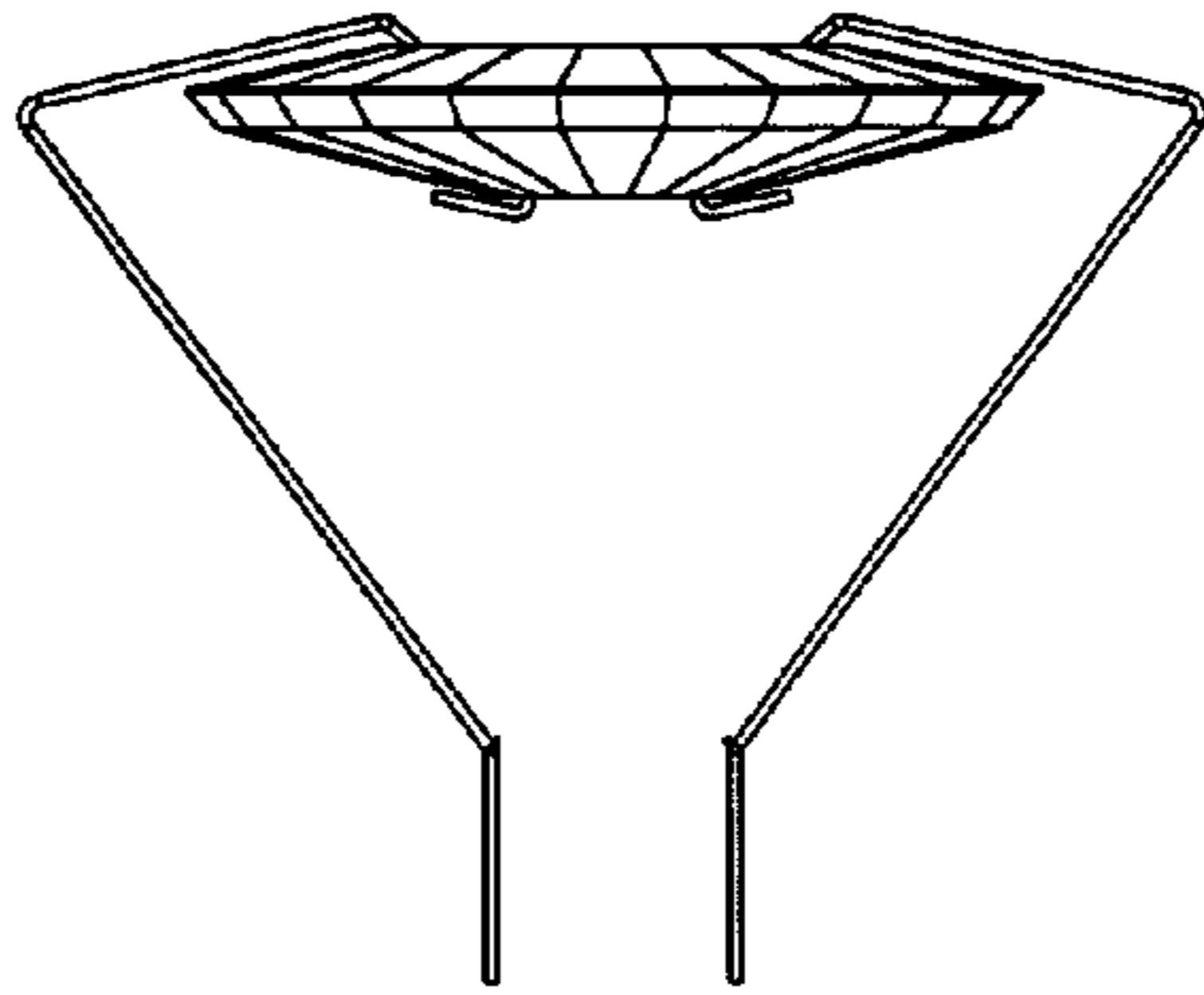


Fig. 2

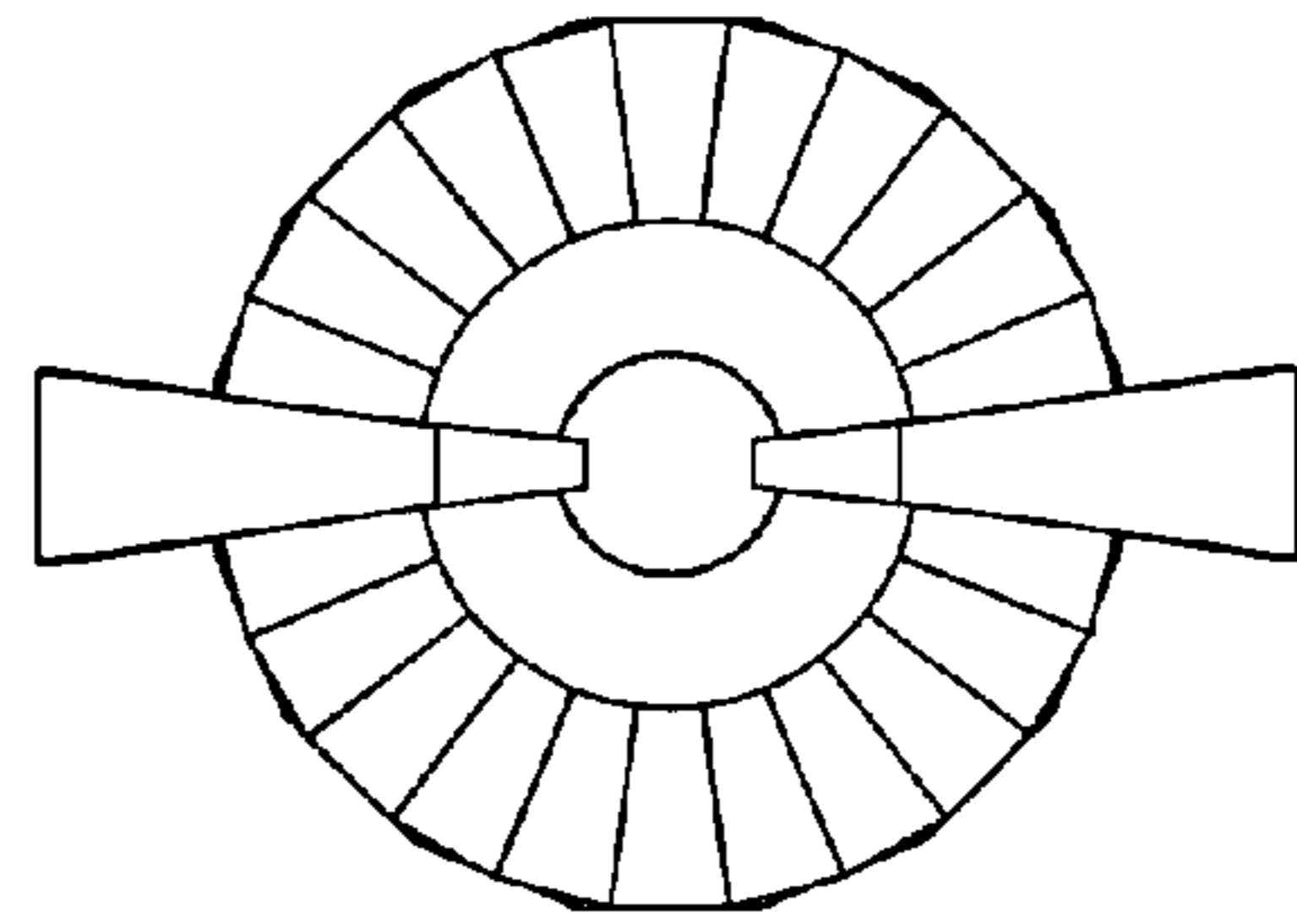


Fig. 3

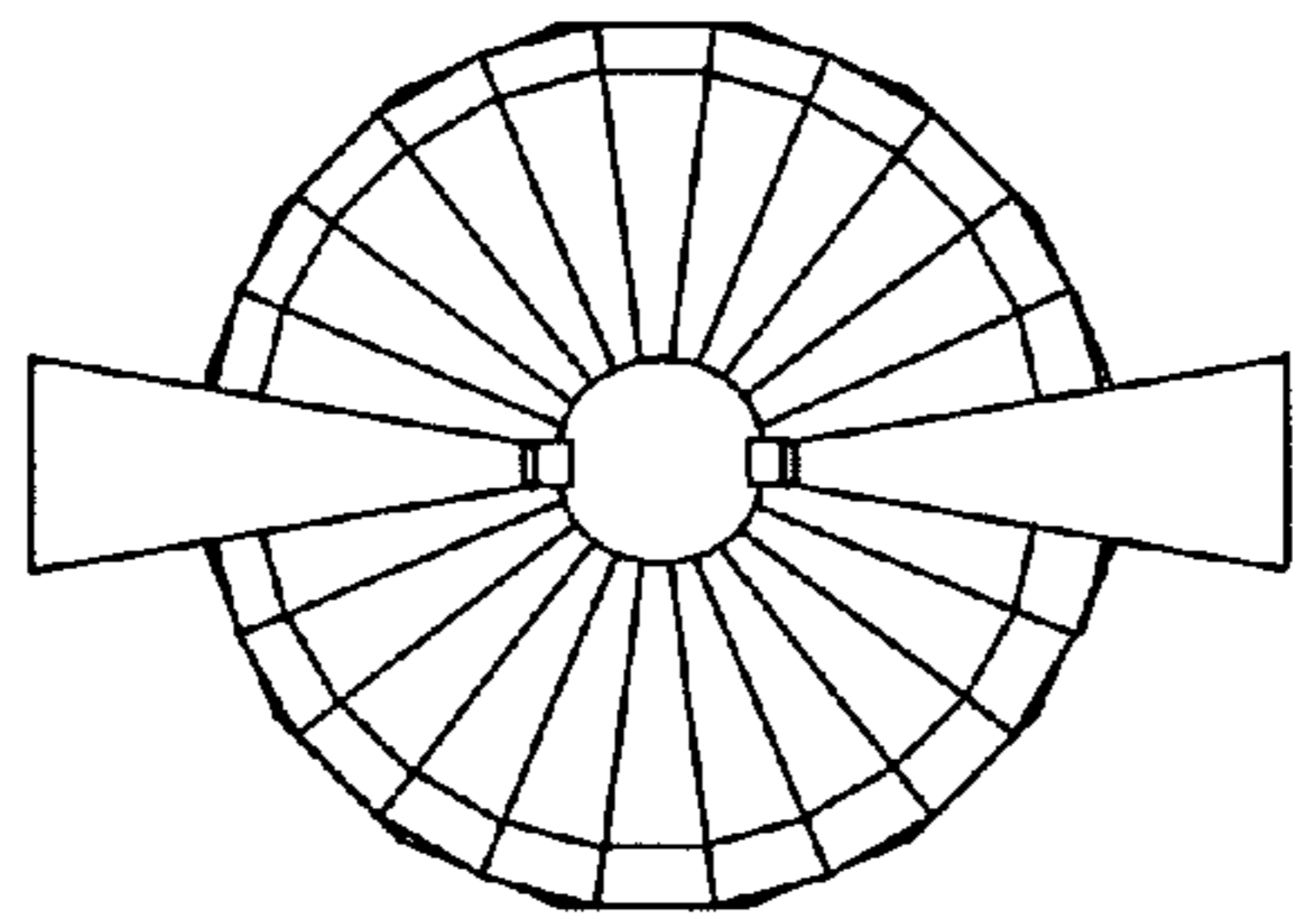


Fig. 4

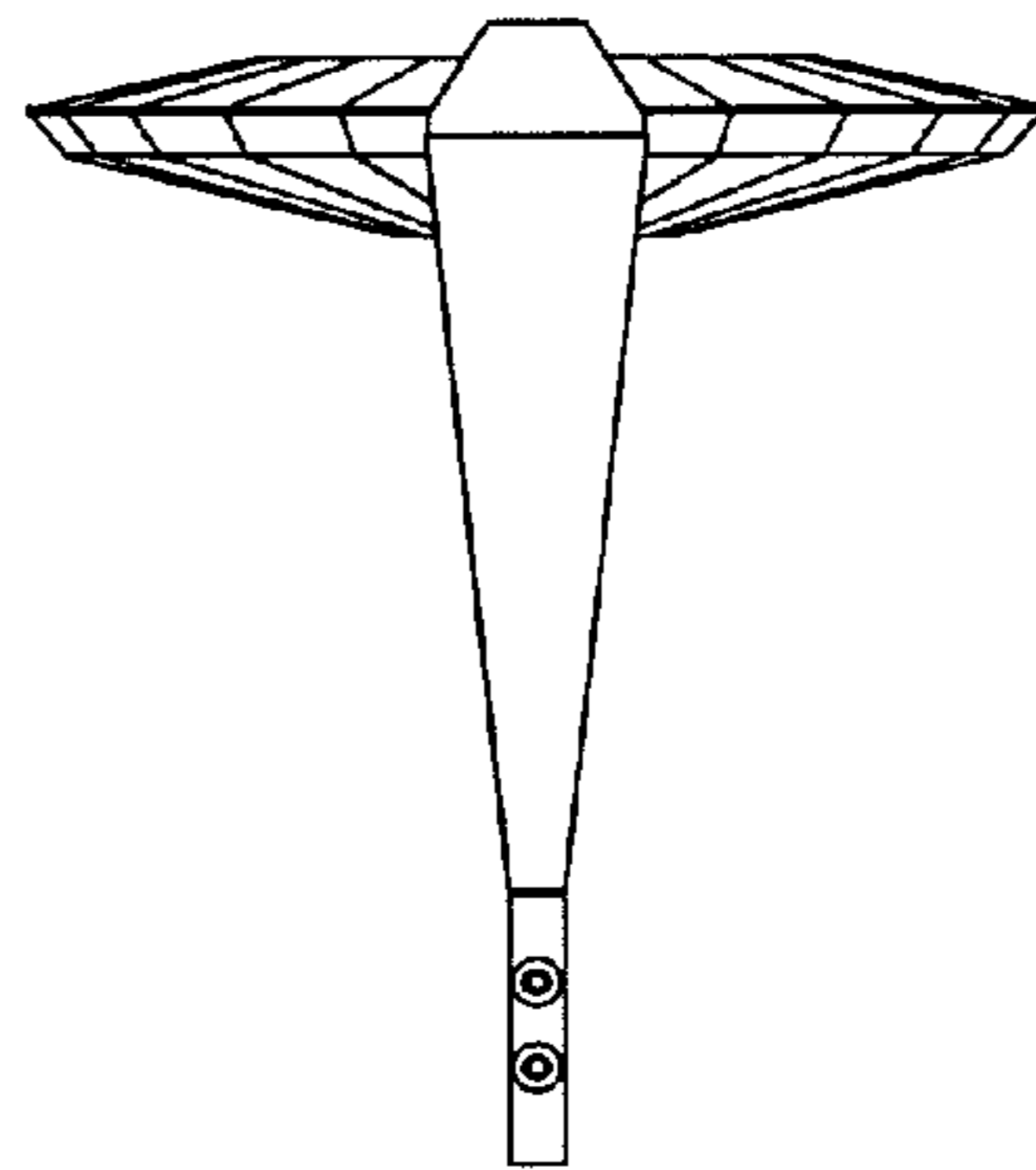


Fig. 5

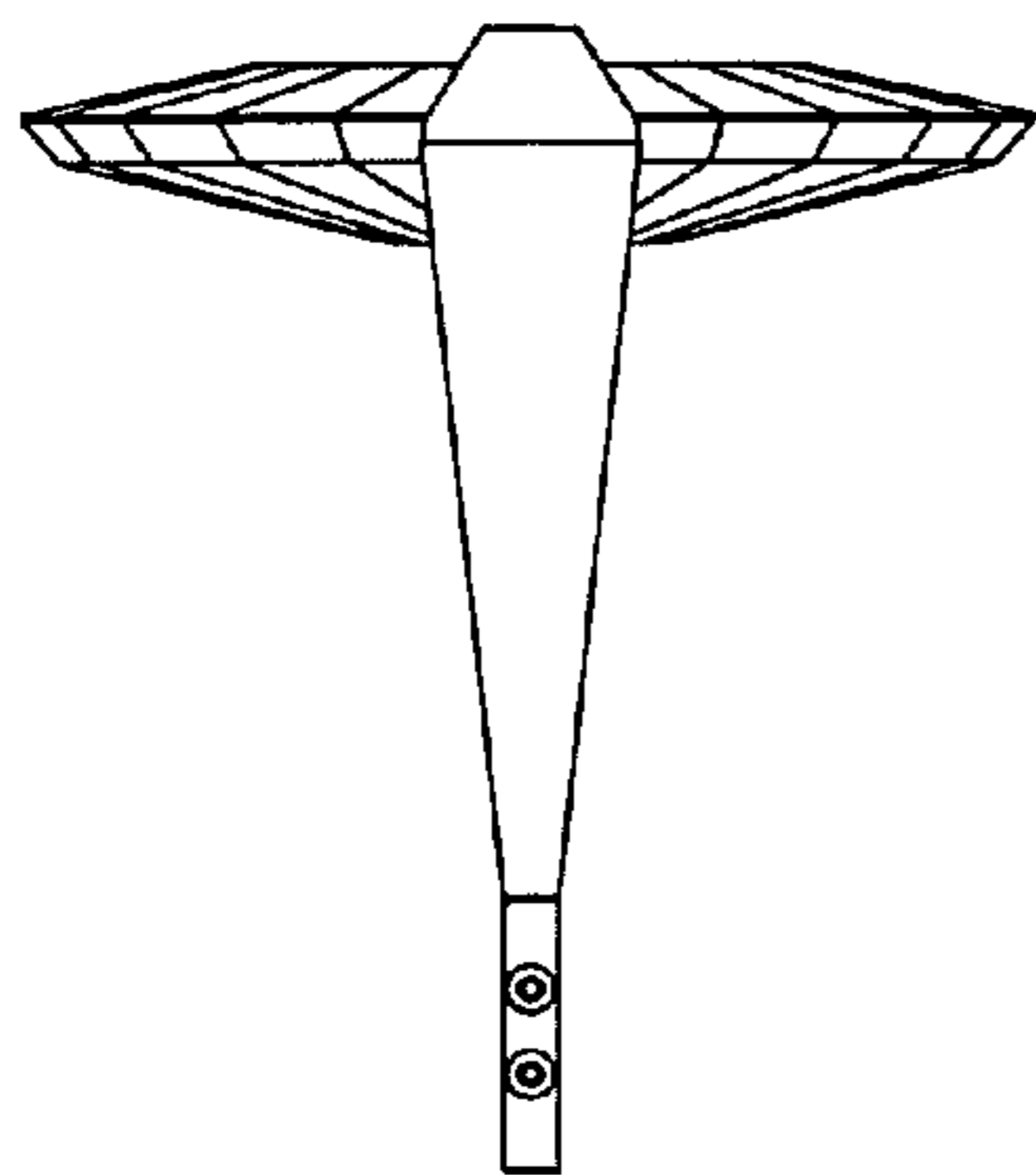


Fig. 6

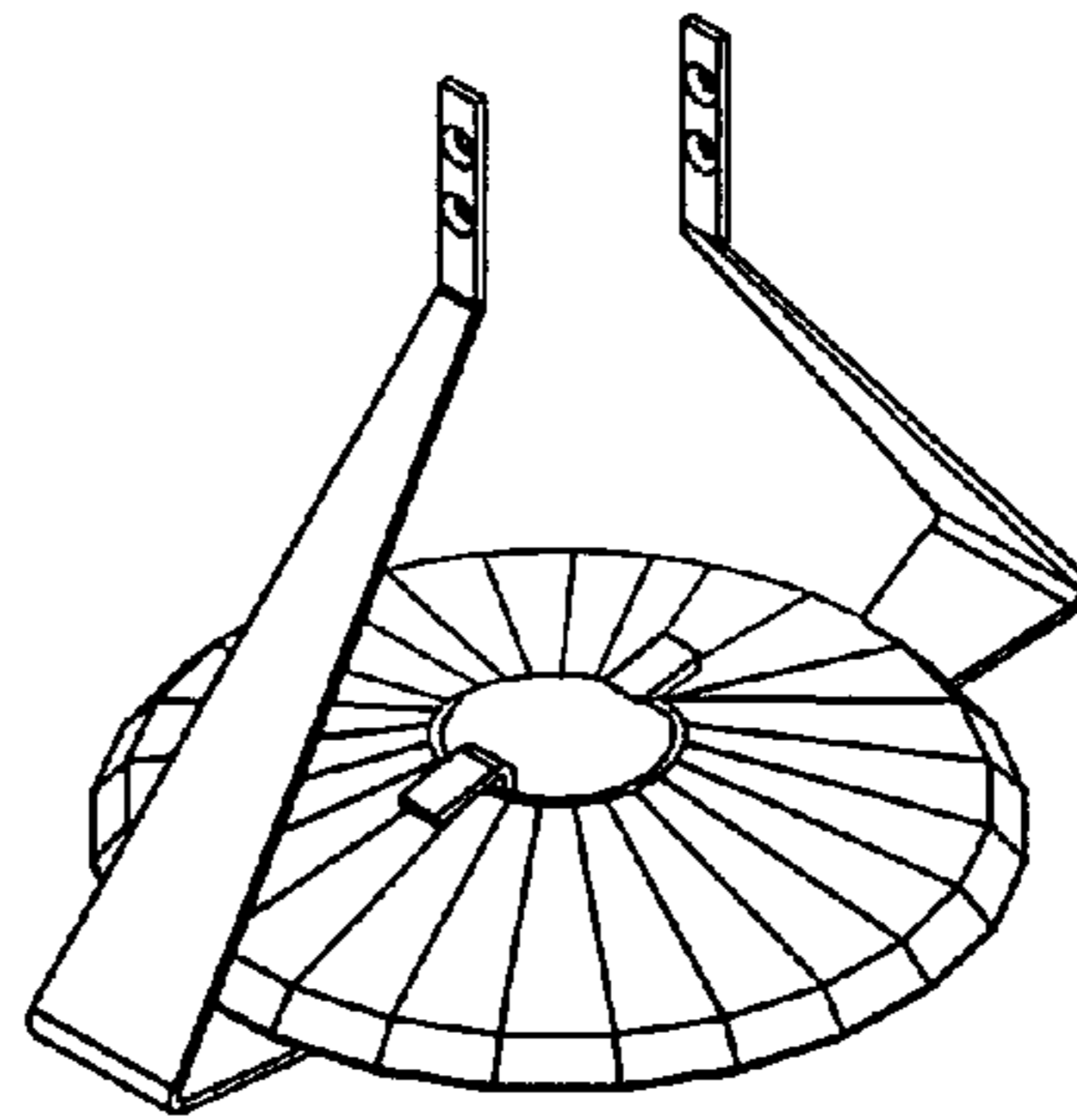


Fig. 7