



US00D575437S

(12) **United States Design Patent**
Bickler et al.

(10) **Patent No.:** **US D575,437 S**

(45) **Date of Patent:** **** Aug. 19, 2008**

(54) **DOUBLE HALL LIGHT**

D558,911 S * 1/2008 Bickler et al. D26/87

(75) Inventors: **Marc Bickler**, Charlotte, NC (US);
Victor Hoernig, Lowell, IN (US);
Geraint Krumpe, Chicago, IL (US)

(73) Assignee: **Brasstech, Inc.**, Santa Ana, CA (US)

(**) Term: **14 Years**

(21) Appl. No.: **29/279,518**

(22) Filed: **May 2, 2007**

(51) **LOC (8) Cl.** **26-03**

(52) **U.S. Cl.** **D26/86**

(58) **Field of Classification Search** D26/72,
D26/80-92; 362/147, 132, 404-406, 432
See application file for complete search history.

(56) **References Cited**

U.S. PATENT DOCUMENTS

D76,311 S *	9/1928	Krause	D26/80
D82,136 S *	9/1930	Chapman	D26/87
D198,539 S *	6/1964	Freed	D26/70
D419,713 S *	1/2000	Diaz-Azcuy	D26/87
D457,678 S *	5/2002	Yang	D26/80
D473,000 S *	4/2003	Hoernig	D26/80
D487,815 S *	3/2004	Hoernig	D26/87
D558,383 S *	12/2007	Bickler et al.	D26/87

OTHER PUBLICATIONS

“Asbury” double wall sconce on p. 7, and “Keller” sconce on p. 45 of the Restoration Hardware Summer Bath Sale Catalog.*

“Westminster” Collection wall lamps on p. 182 of the 2004 Edition of the Murray-Feiss Big Book Catalog.*

“Adano” wall lamps on p. 262 of the 2004 Quoizel Catalog.*

All wall lamps shown on p. 115 of the World Imports 2004 Catalog.*

* cited by examiner

Primary Examiner—Clare E Heflin

(74) *Attorney, Agent, or Firm*—Edgar A. Zarins; Lloyd D. Doigan

(57) **CLAIM**

The ornamental design for a double hall light, as shown and described.

DESCRIPTION

FIG. 1 is a front perspective view of a double hall light showing our design;

FIG. 2 is a front elevational view thereof;

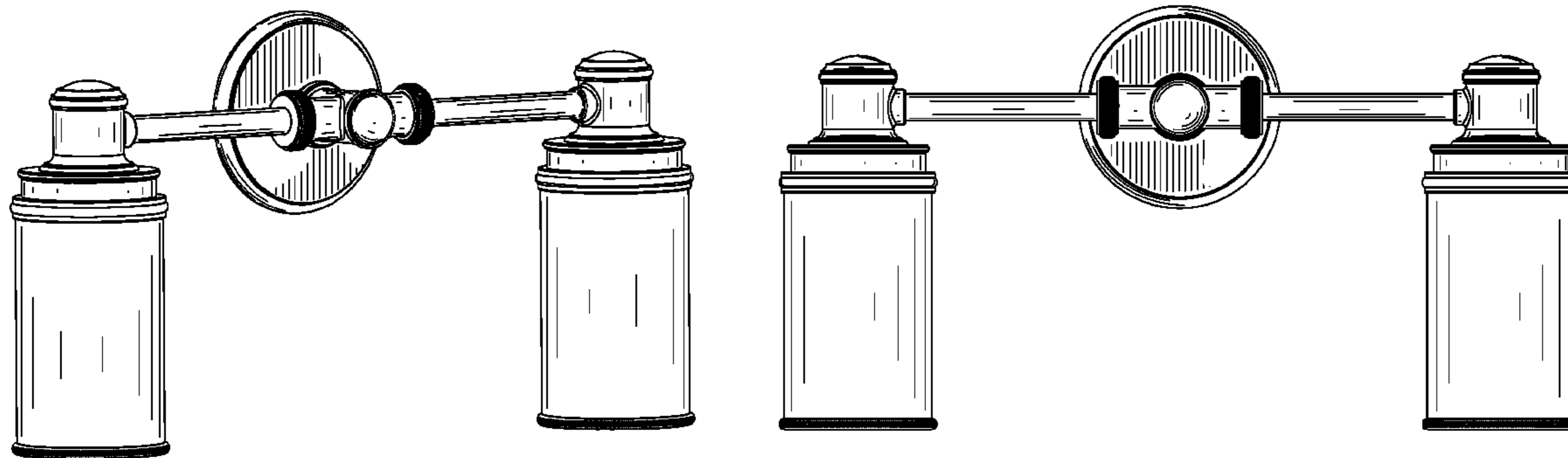
FIG. 3 is a top plan view thereof;

FIG. 4 is a bottom plan view thereof;

FIG. 5 is a right side elevational view thereof; and,

FIG. 6 is a left side elevational view thereof.

1 Claim, 6 Drawing Sheets



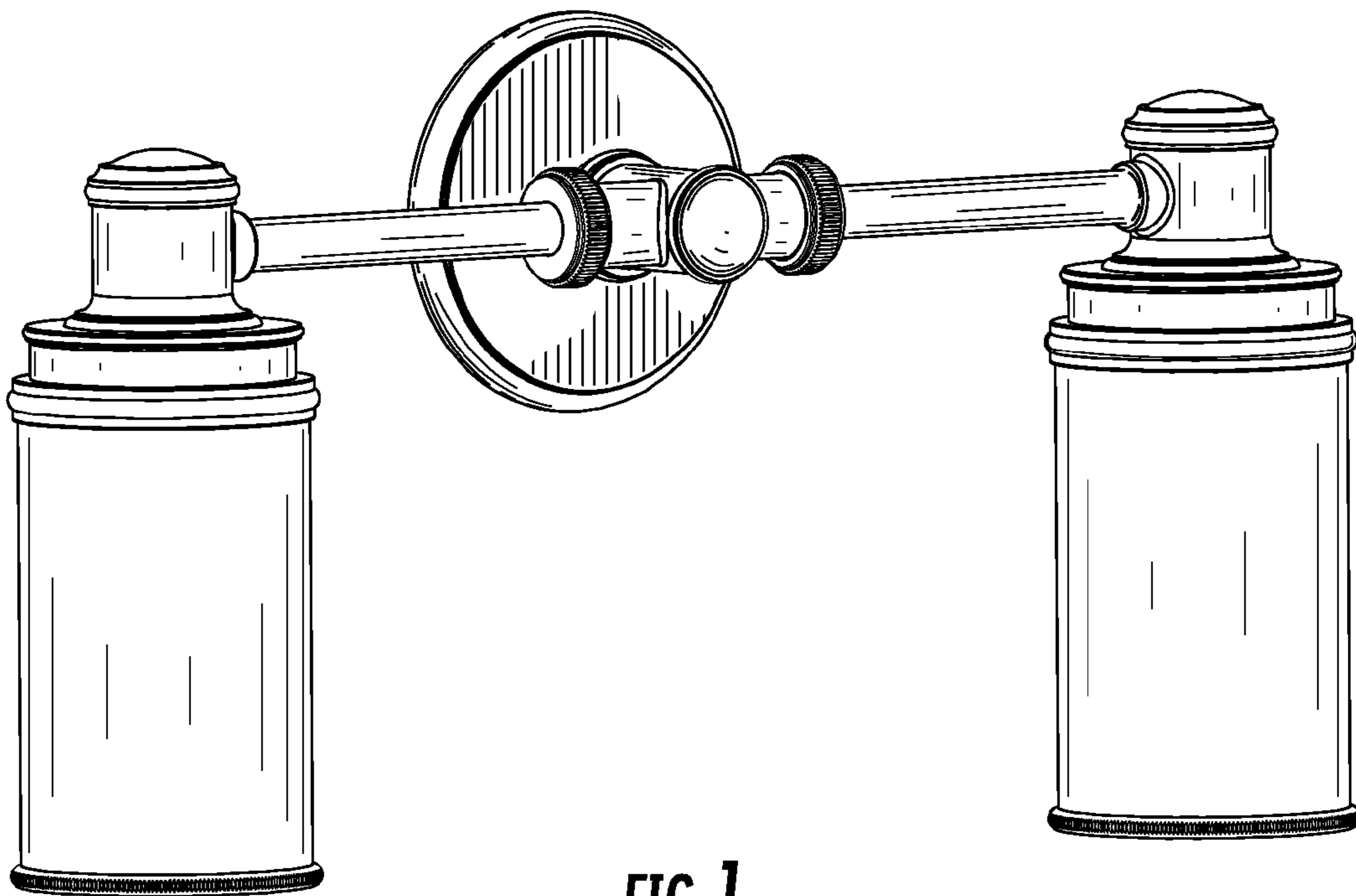


FIG. 1

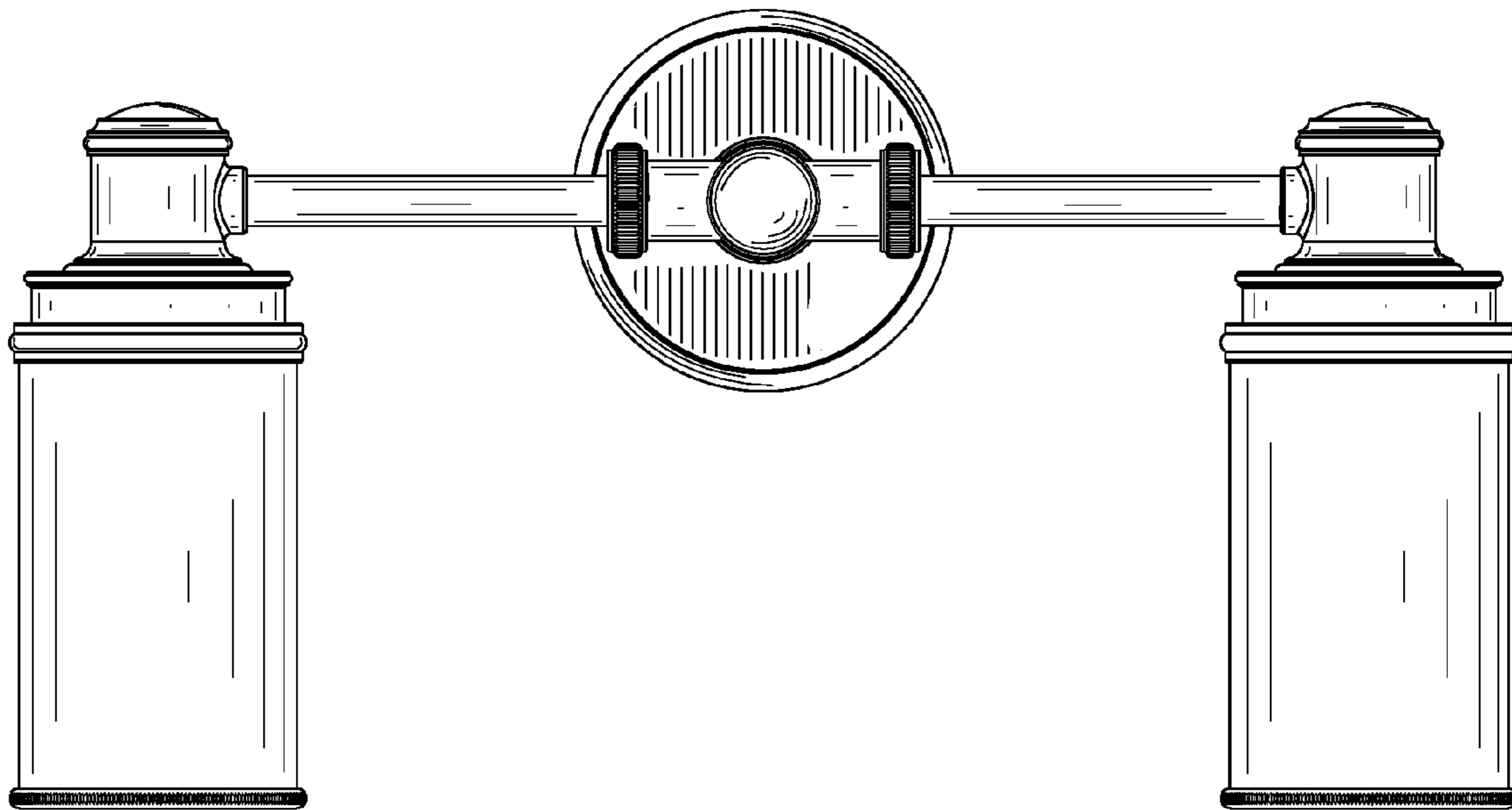


FIG. 2

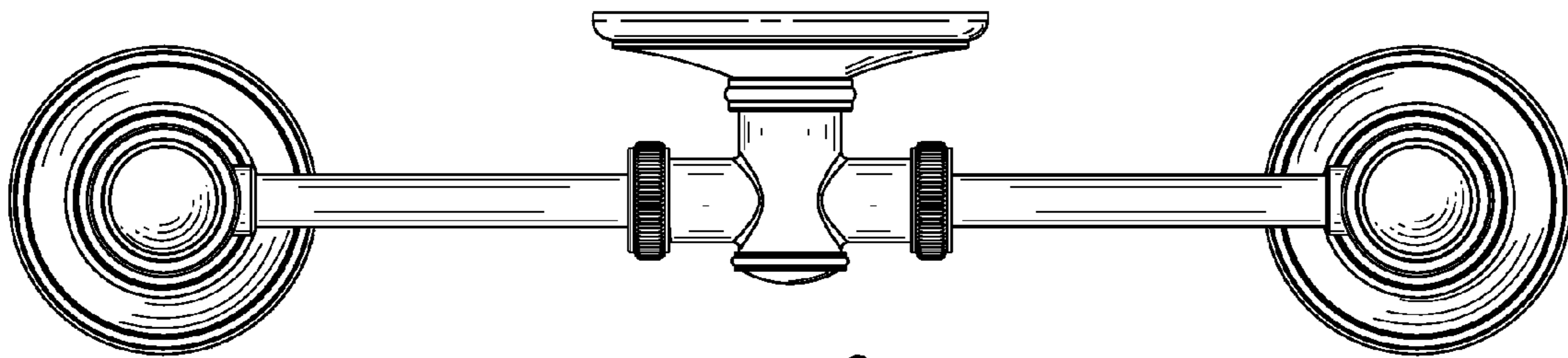


FIG. 3

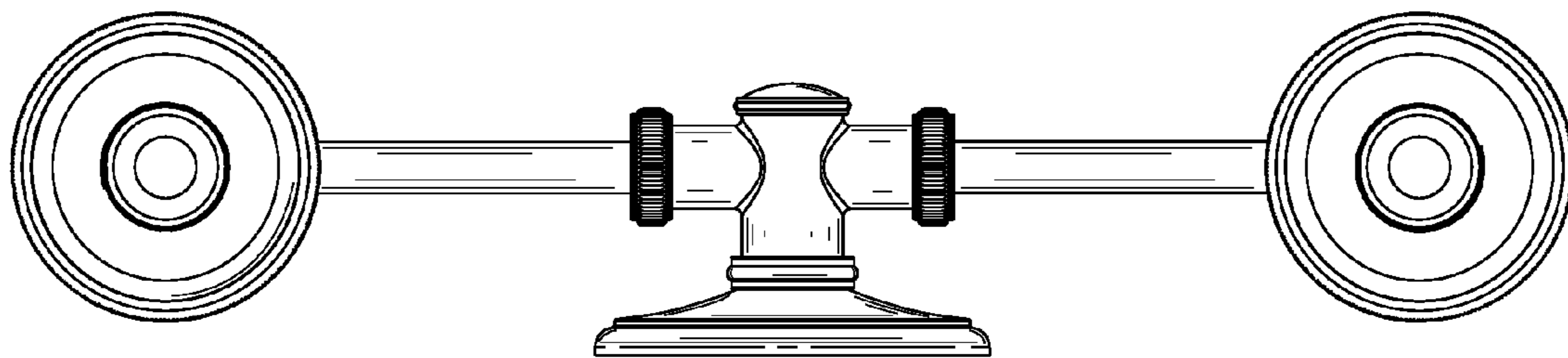


FIG. 4

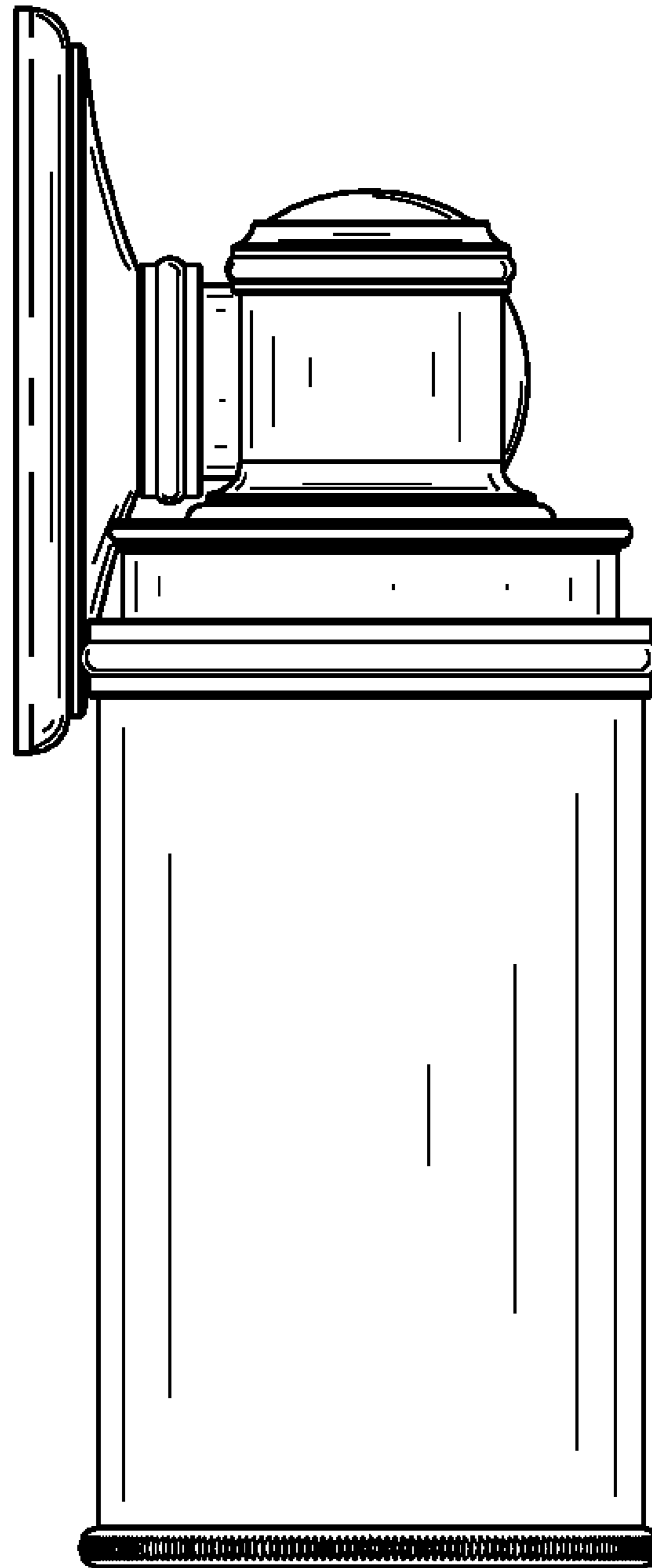


FIG. 5

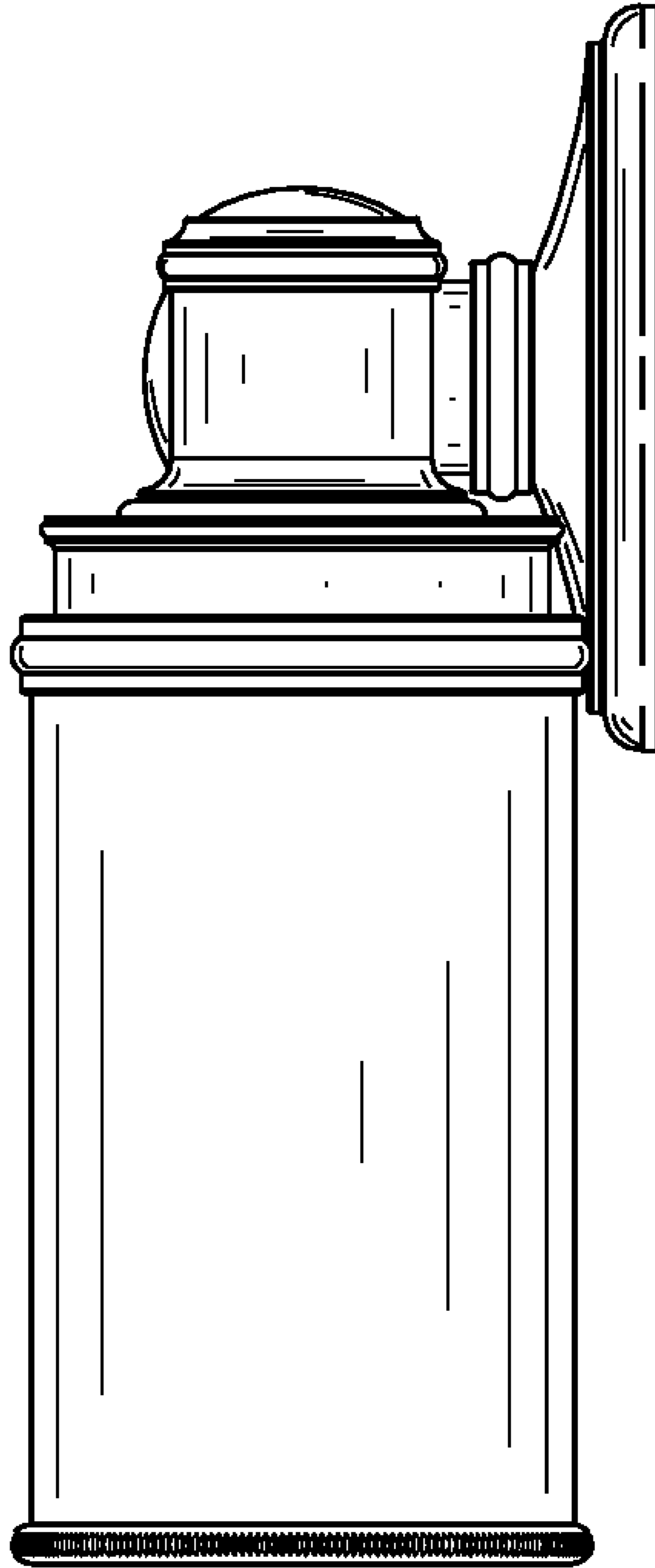


FIG. 6