



US00D575435S

(12) **United States Design Patent**
Nunes

(10) **Patent No.:** **US D575,435 S**
(45) **Date of Patent:** **** Aug. 19, 2008**

(54) **BACK HOE-SIMULATING SCONCE**

D550,883 S * 9/2007 Nunes D26/73
D551,377 S * 9/2007 Nunes D26/73

(75) Inventor: **Brendon Nunes, Ajax (CA)**

(73) Assignee: **Trintec Industries, Inc., Ajax, Ontario (CA)**

(**) Term: **14 Years**

(21) Appl. No.: **29/288,809**

(22) Filed: **Jun. 23, 2007**

(51) **LOC (8) Cl.** **26-05**

(52) **U.S. Cl.** **D26/73**

(58) **Field of Classification Search** D26/26,
D26/73, 94, 125, 62, 85, 87, 92; 362/413,
362/432, 806, 370, 371, 252, 644, 653, 812,
362/414

See application file for complete search history.

(56) **References Cited**

U.S. PATENT DOCUMENTS

D287,058 S	*	12/1986	Silverman	D26/47
D289,069 S	*	3/1987	Ohno	D21/580
D356,654 S	*	3/1995	Chiang	D26/97
D481,153 S	*	10/2003	Wilson	D26/97
D493,561 S	*	7/2004	Sehl	D26/97
D536,475 S		2/2007	Nunes		
D545,473 S		6/2007	Nunes		
D545,474 S		6/2007	Nunes		

OTHER PUBLICATIONS

Bulldozer Child's Lamp #45742 from Lampsplus.com. Downloaded Apr. 9, 2008.*

* cited by examiner

Primary Examiner—Clare E Heflin

(57) **CLAIM**

The ornamental design for a back hoe-simulating sconce, as shown and described.

DESCRIPTION

FIG. 1 is a top-side perspective view of a lighting fixture showing my new design;

FIG. 2 is a right side elevational view thereof with the opposite side a mirror image;

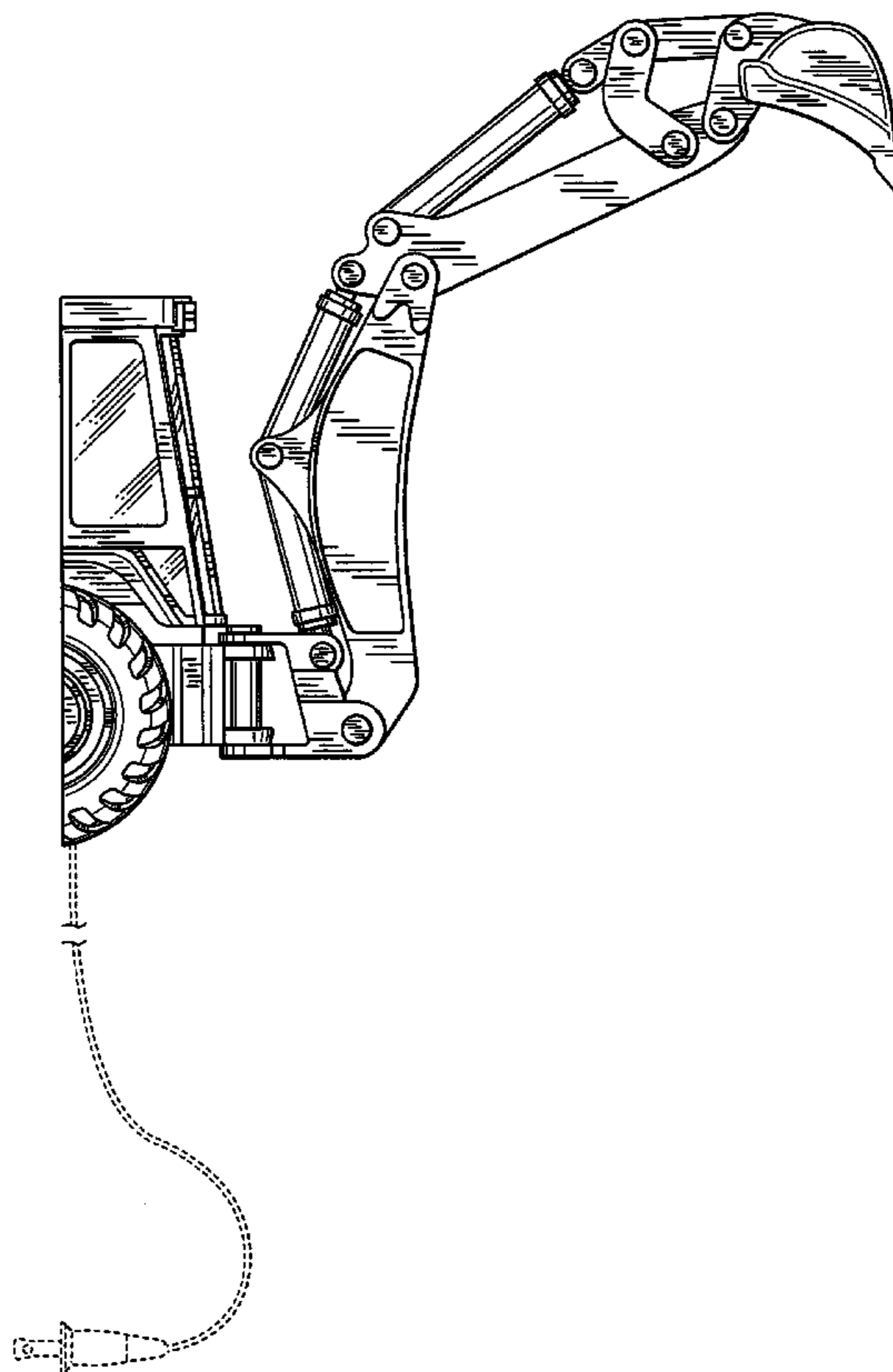
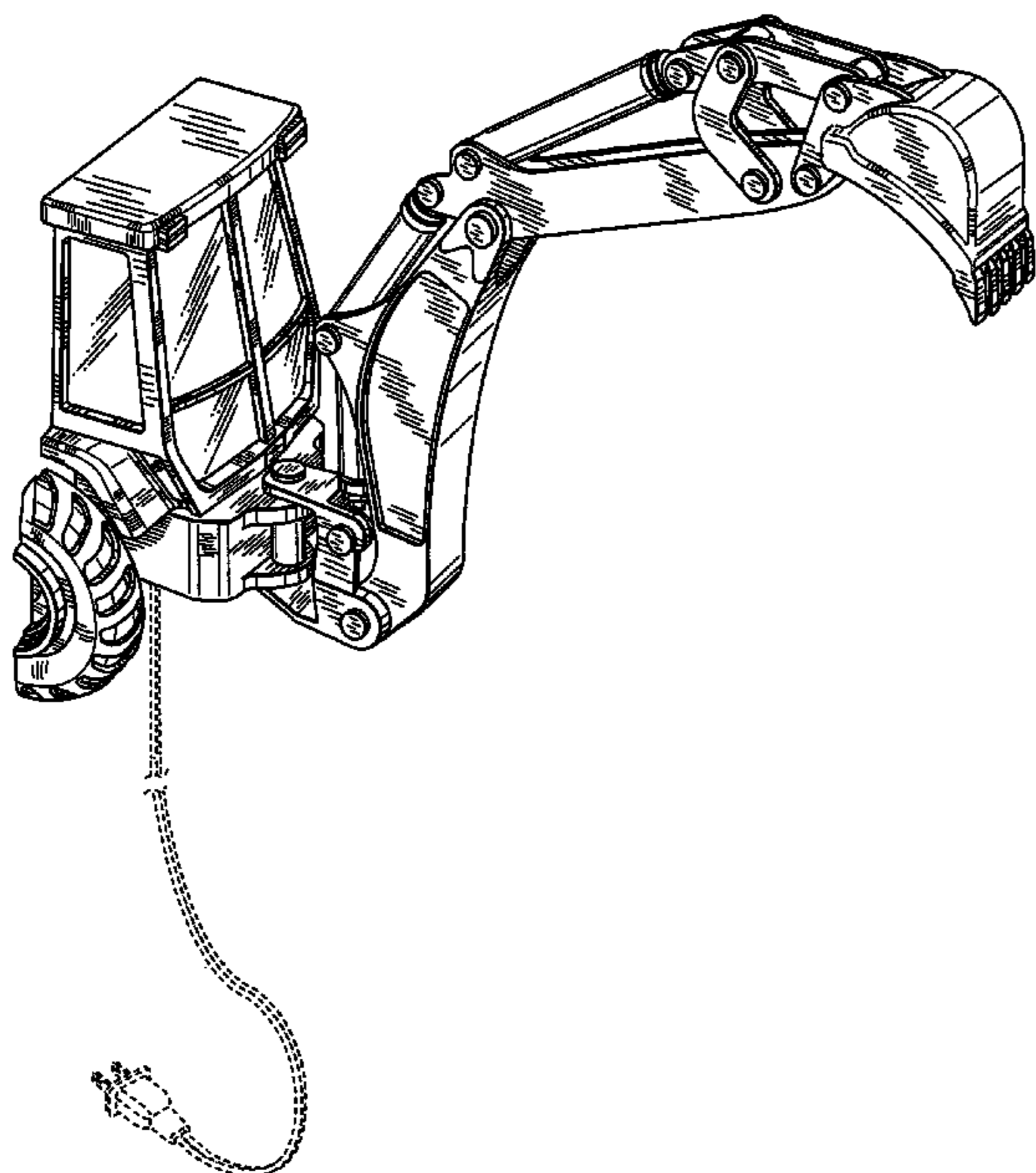
FIG. 3 is a front elevational view, with the rear plain and unornamented;

FIG. 4 is a top plan view; and,

FIG. 5 is a bottom plan view.

The portions of the drawings provided by broken line are intended to reflect environment, and do not form a part of my design.

1 Claim, 4 Drawing Sheets



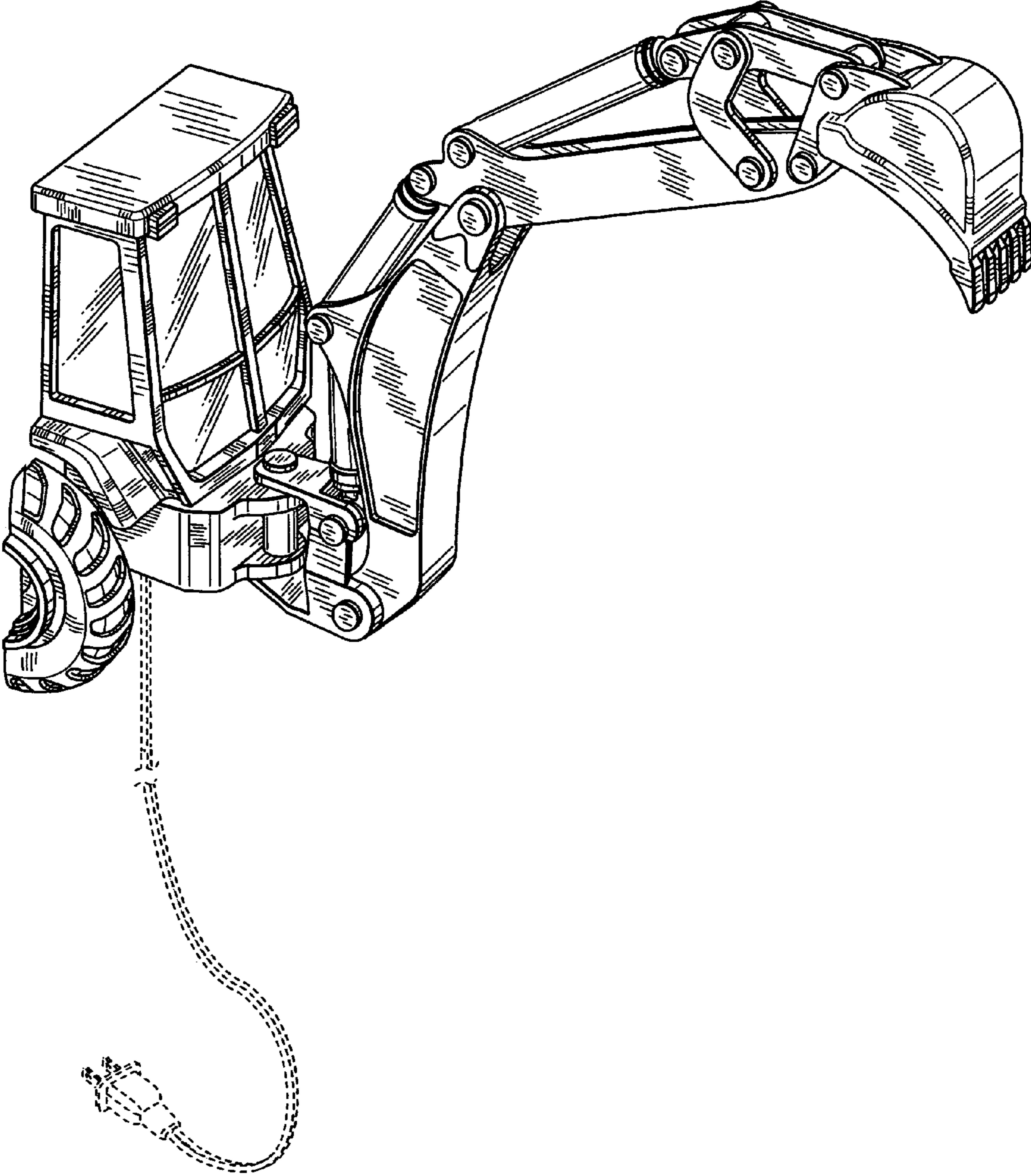


FIG. 1

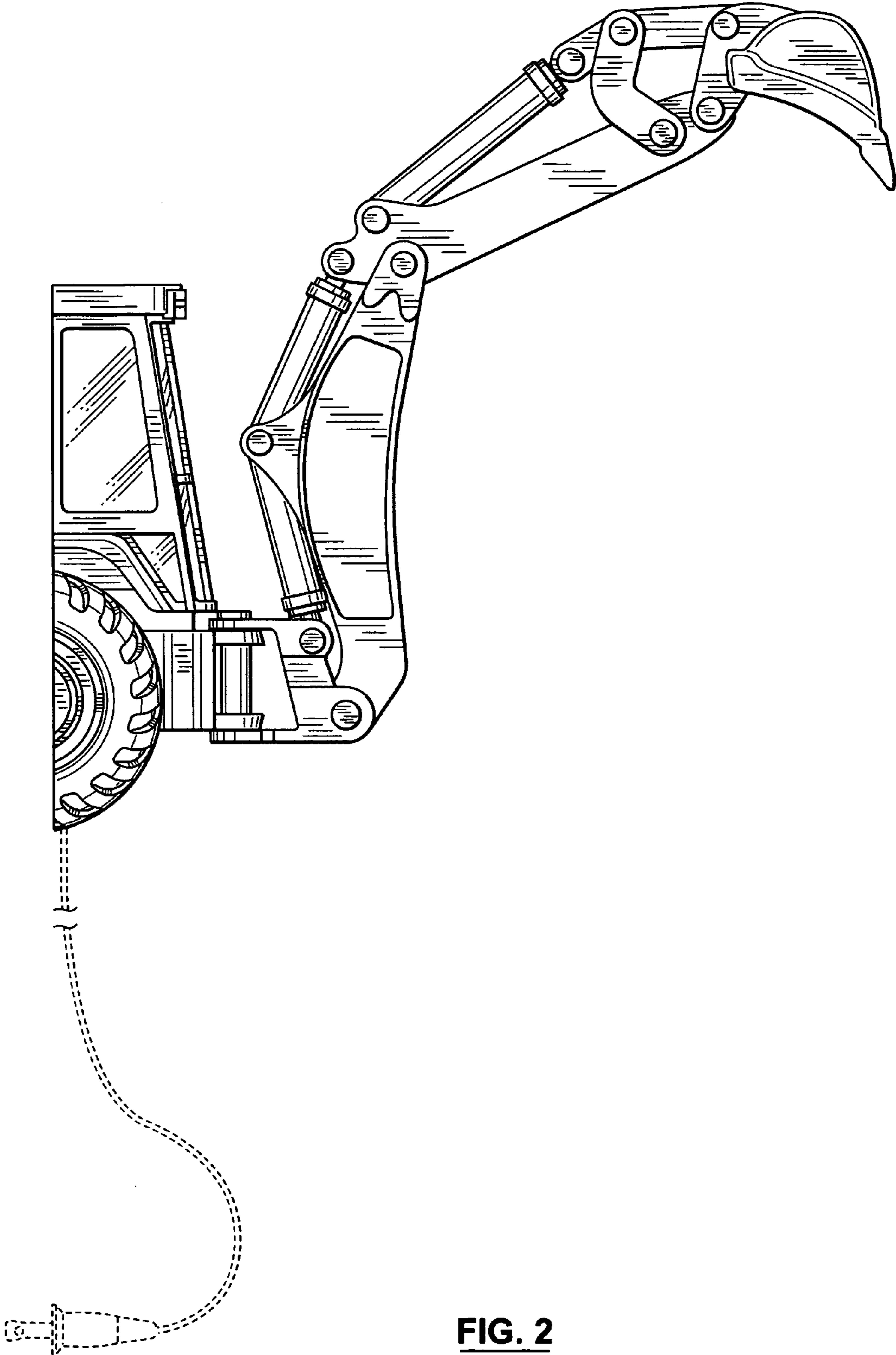


FIG. 2

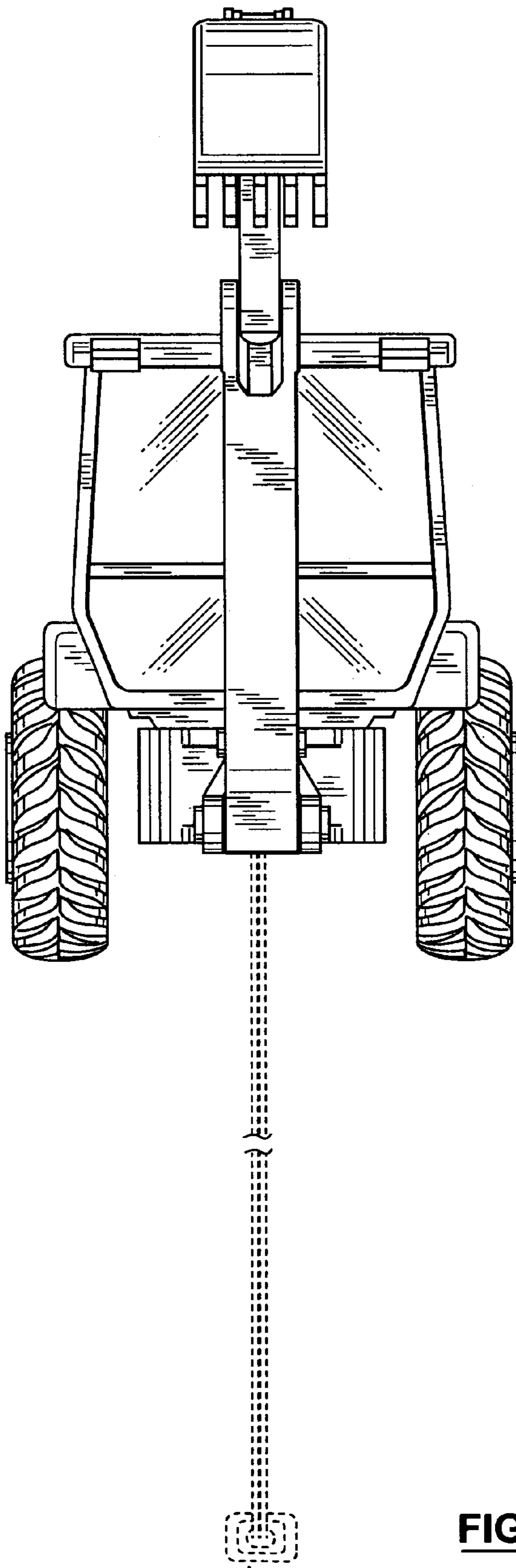


FIG. 3

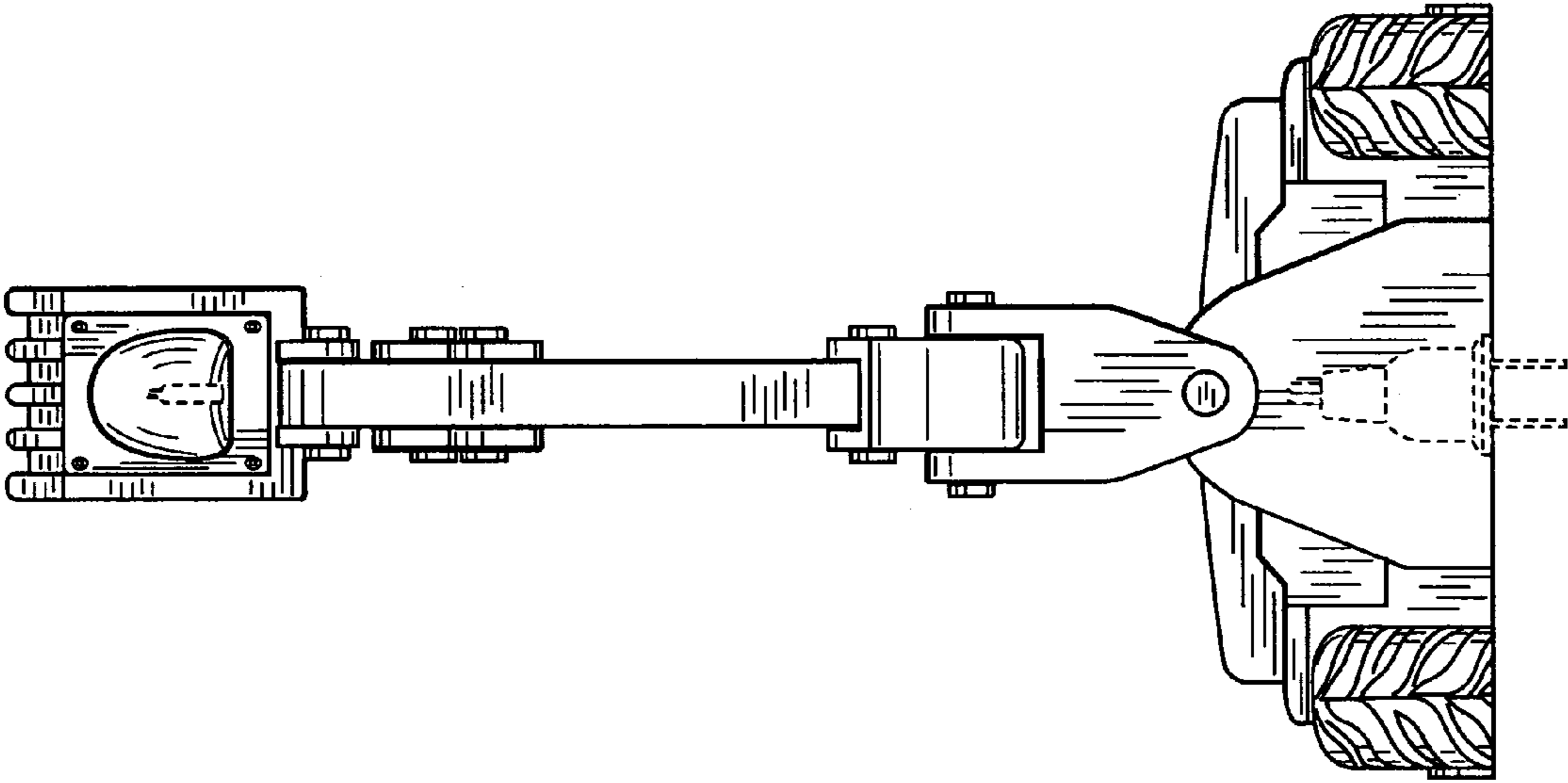


FIG. 5

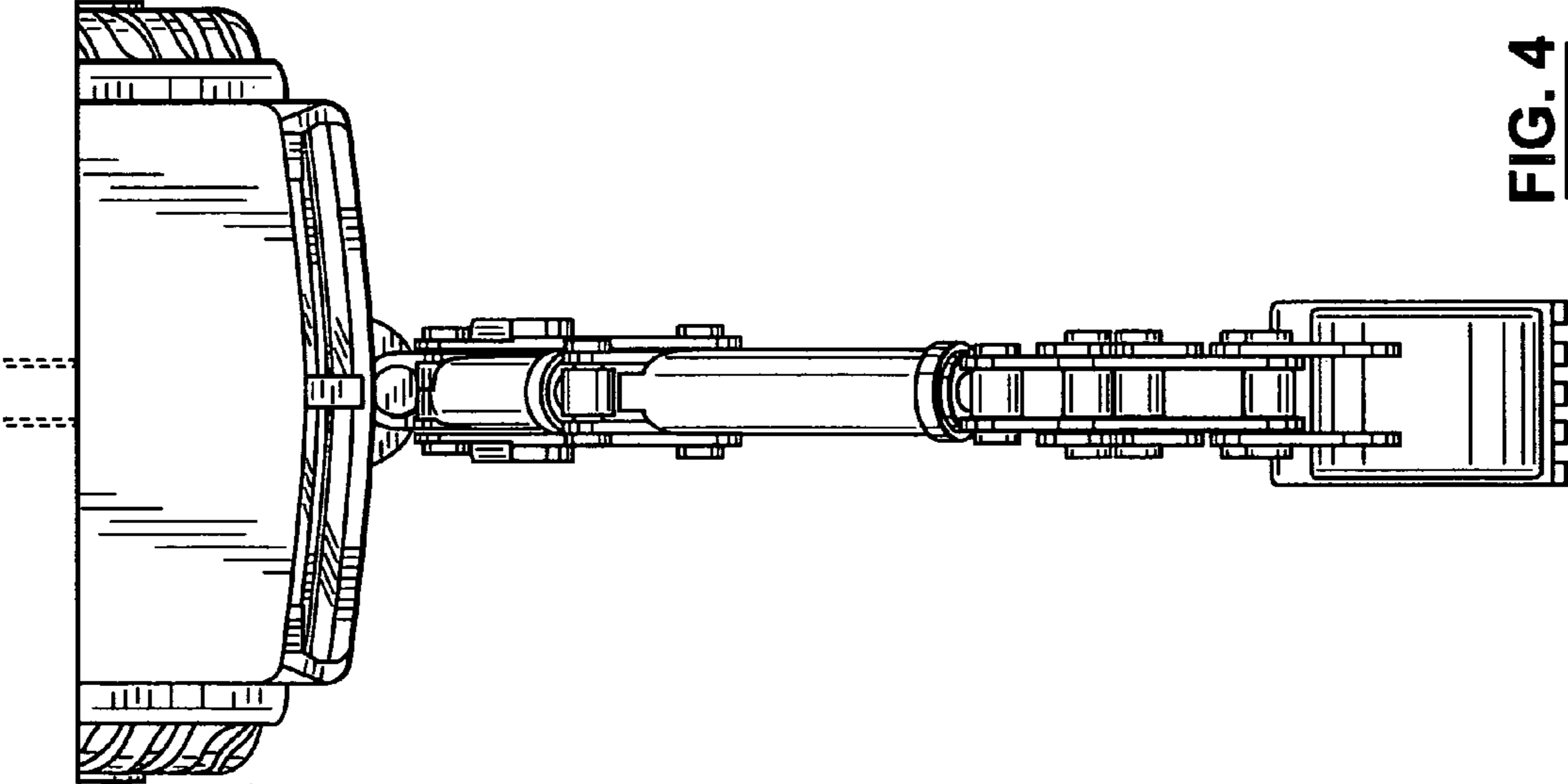


FIG. 4