



US00D575434S

(12) **United States Design Patent**
Nunes

(10) **Patent No.:** **US D575,434 S**

(45) **Date of Patent:** **** Aug. 19, 2008**

(54) **HOCKEY HELMET-SIMULATING SCONCE**

D488,883 S 4/2004 Davis
D546,998 S * 7/2007 Nunes D26/73

(75) Inventor: **Brendon Nunes**, Ajax (CA)

(73) Assignee: **Trintec Industries, Inc.**, Ajax, Ontario (CA)

(**) Term: **14 Years**

(21) Appl. No.: **29/274,886**

(22) Filed: **Jun. 5, 2007**

(51) **LOC (8) Cl.** **26-05**

(52) **U.S. Cl.** **D26/73; D26/85**

(58) **Field of Classification Search** D26/26,
D26/73, 94, 125, 62, 85, 87, 92; 362/413,
362/432, 806, 370, 371, 252, 644, 653, 812,
362/414

See application file for complete search history.

(56) **References Cited**

U.S. PATENT DOCUMENTS

- D257,888 S 1/1981 Perich
- D311,594 S * 10/1990 Medina D26/47
- D354,231 S * 1/1995 Nunes D10/6
- D370,547 S 6/1996 Moss
- D375,810 S * 11/1996 Ham D26/26
- 5,816,947 A 10/1998 Kavitch
- D471,998 S * 3/2003 Cantor et al. D26/26

OTHER PUBLICATIONS

Hockey Goalie Helmet Lamp found at chalktalksports.com on Apr. 9, 2008.*

* cited by examiner

Primary Examiner—Clare E Heflin

(57) **CLAIM**

The ornamental design for a hockey helmet-simulating scone, as shown and described.

DESCRIPTION

FIG. 1 is a top-side perspective view of a scone showing my new design;

FIG. 2 is a rear elevational view;

FIG. 3 is a right side elevational view thereof with the opposite side plain and unornamented;

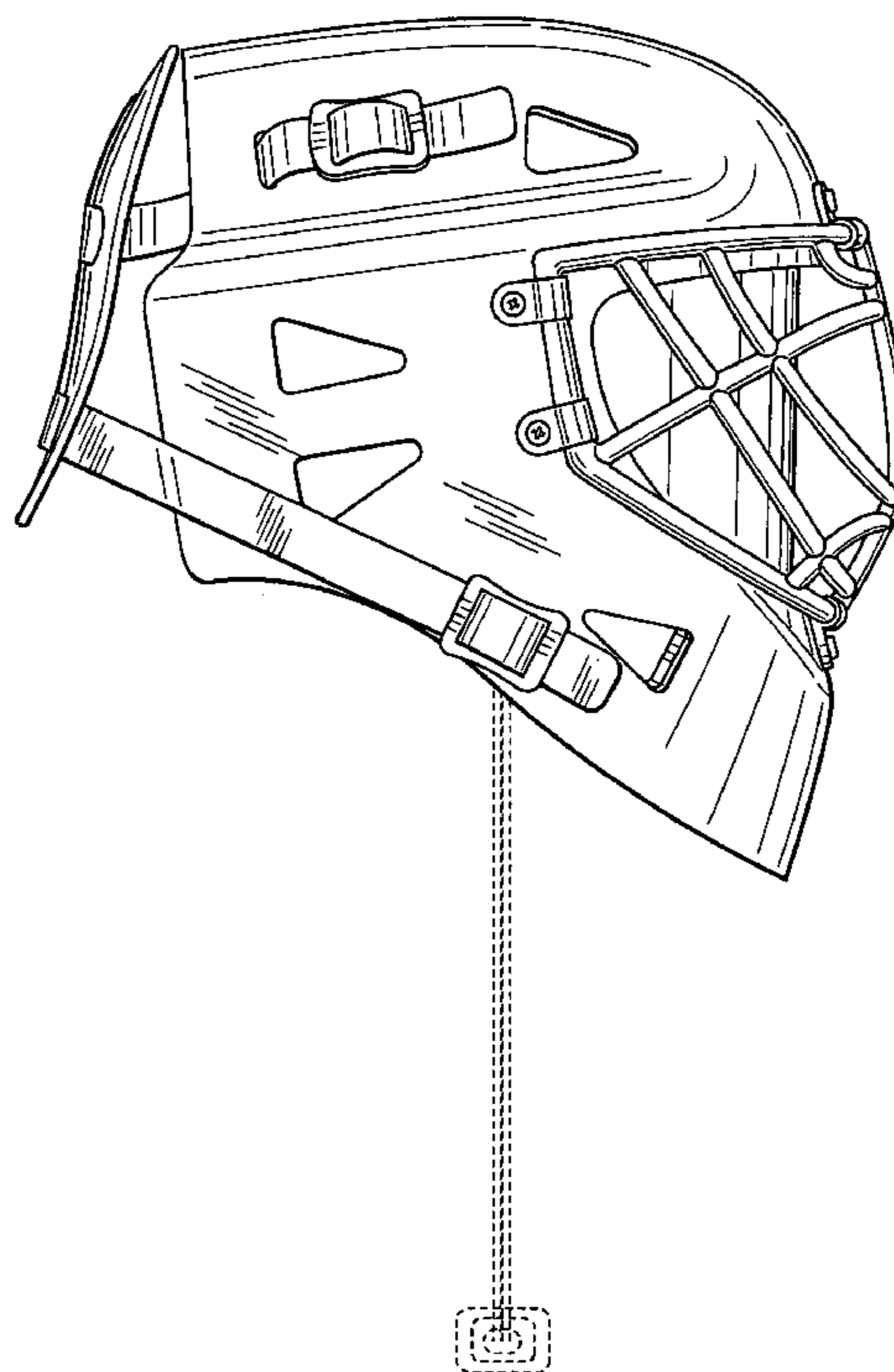
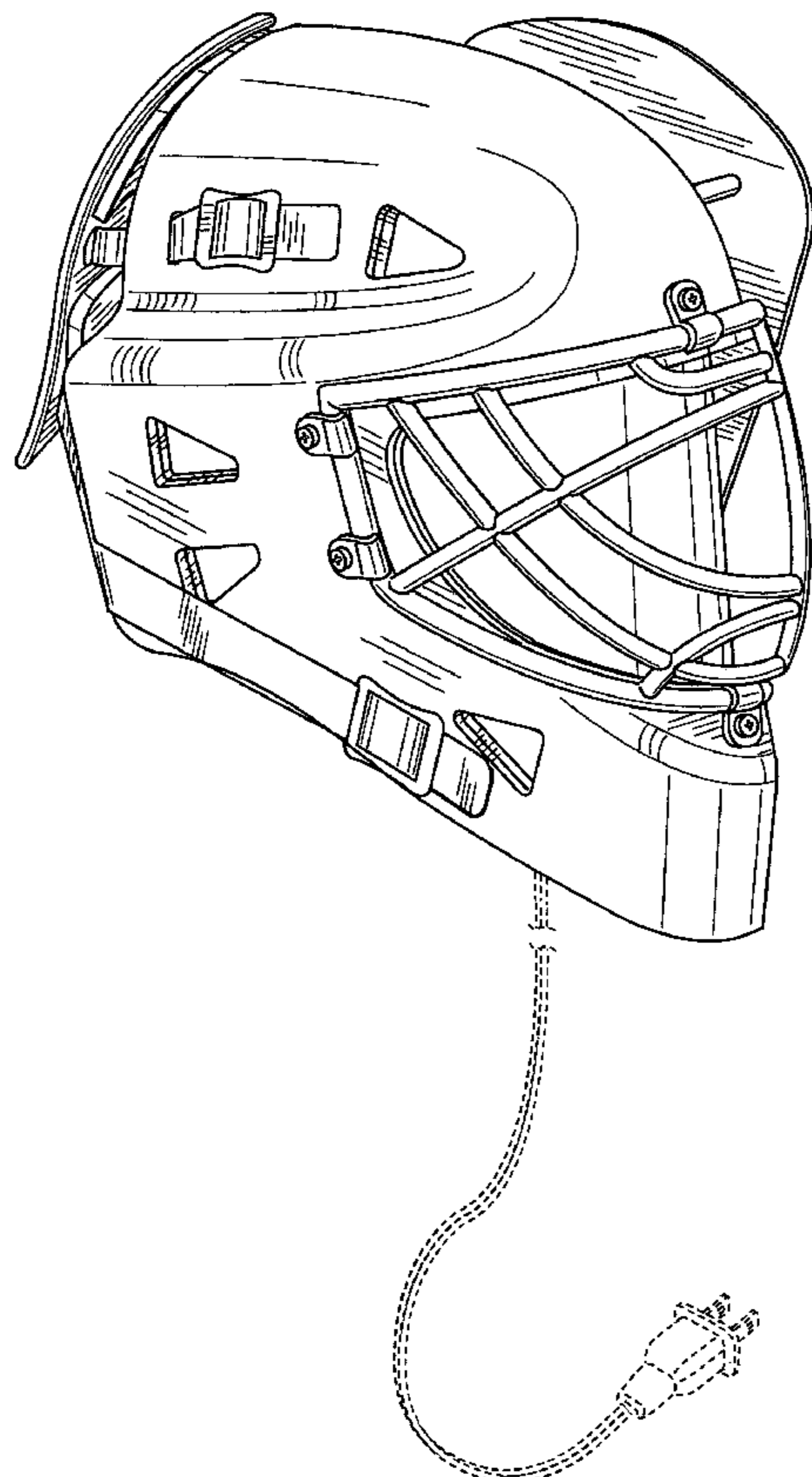
FIG. 4 is a front elevational view;

FIG. 5 is a top plan view; and,

FIG. 6 is a bottom plan view.

The portions of the drawings provided by broken line are intended to reflect environment, and do not form a part of my design.

1 Claim, 5 Drawing Sheets



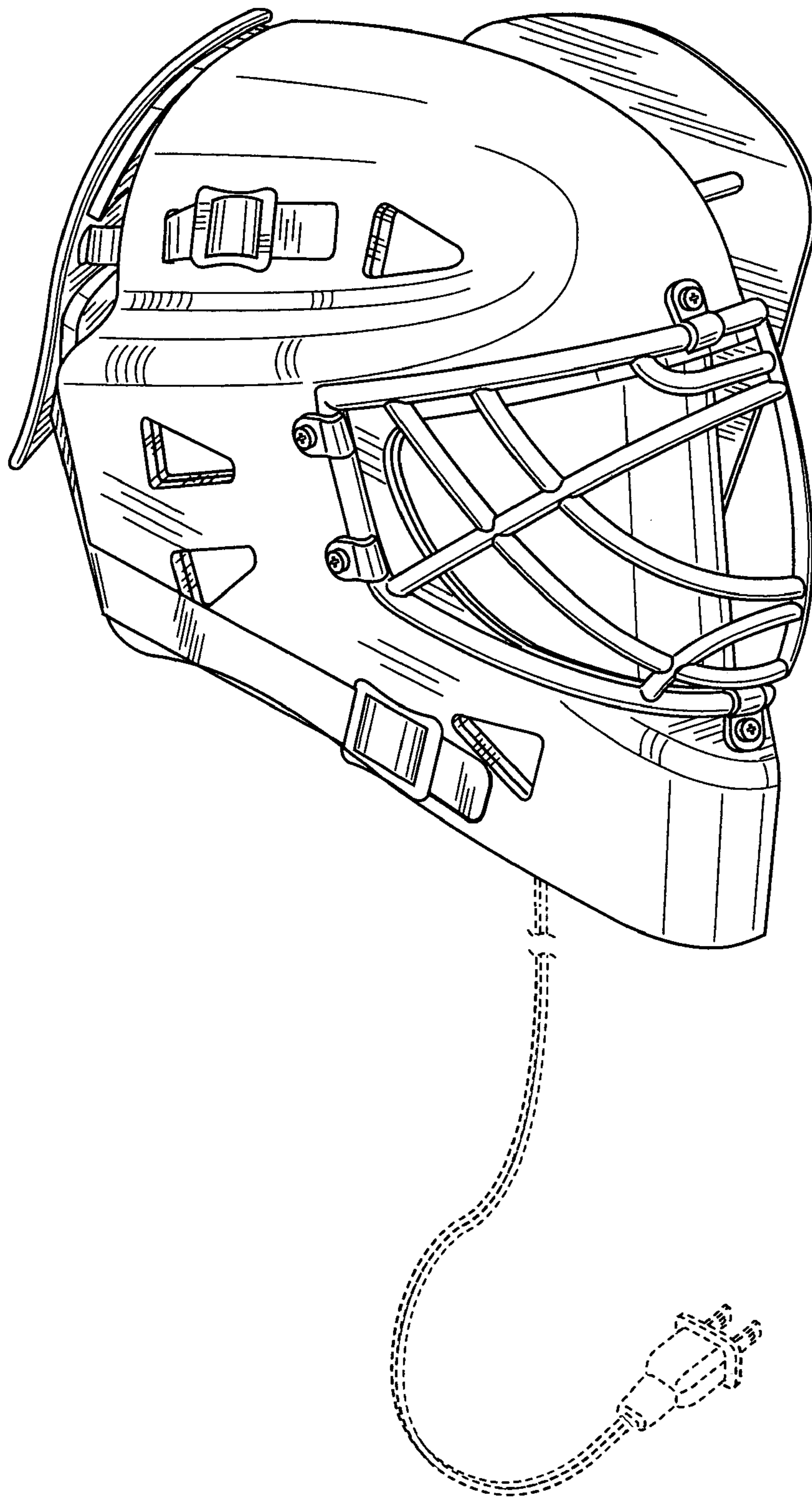


FIG. 1

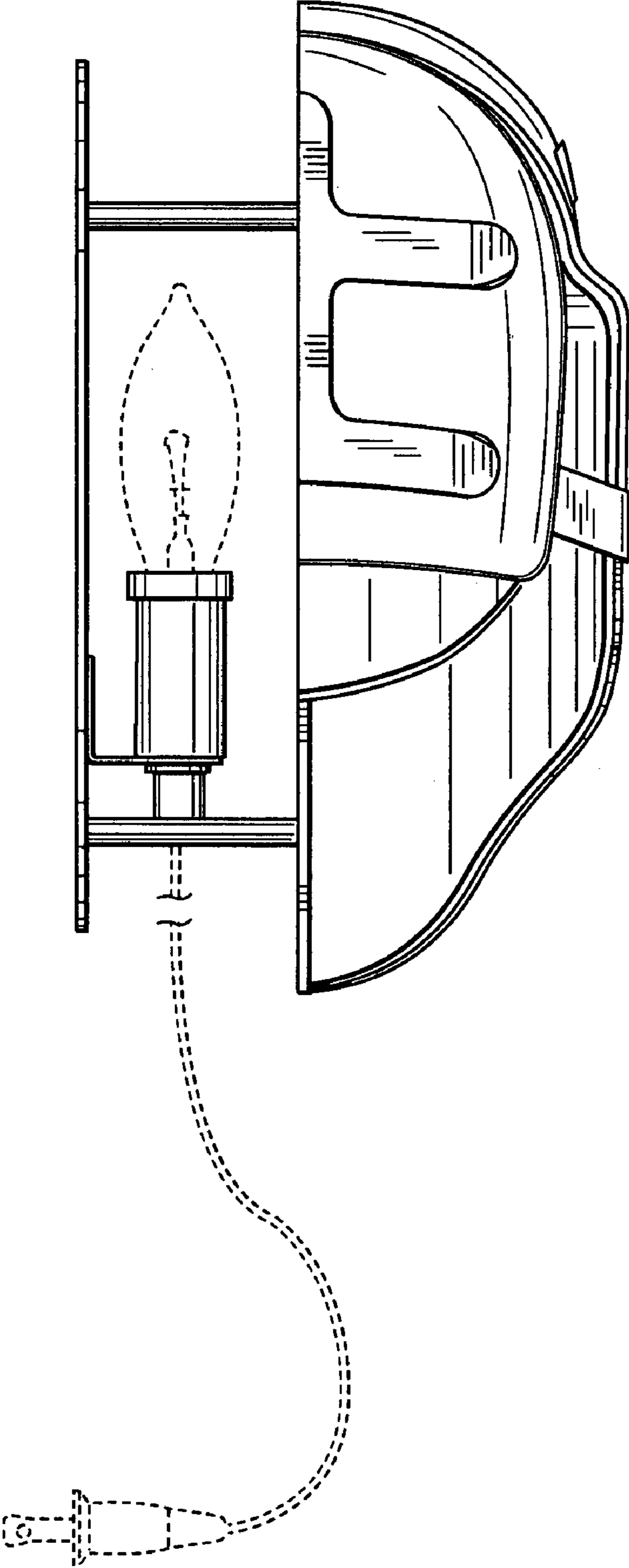


FIG. 2

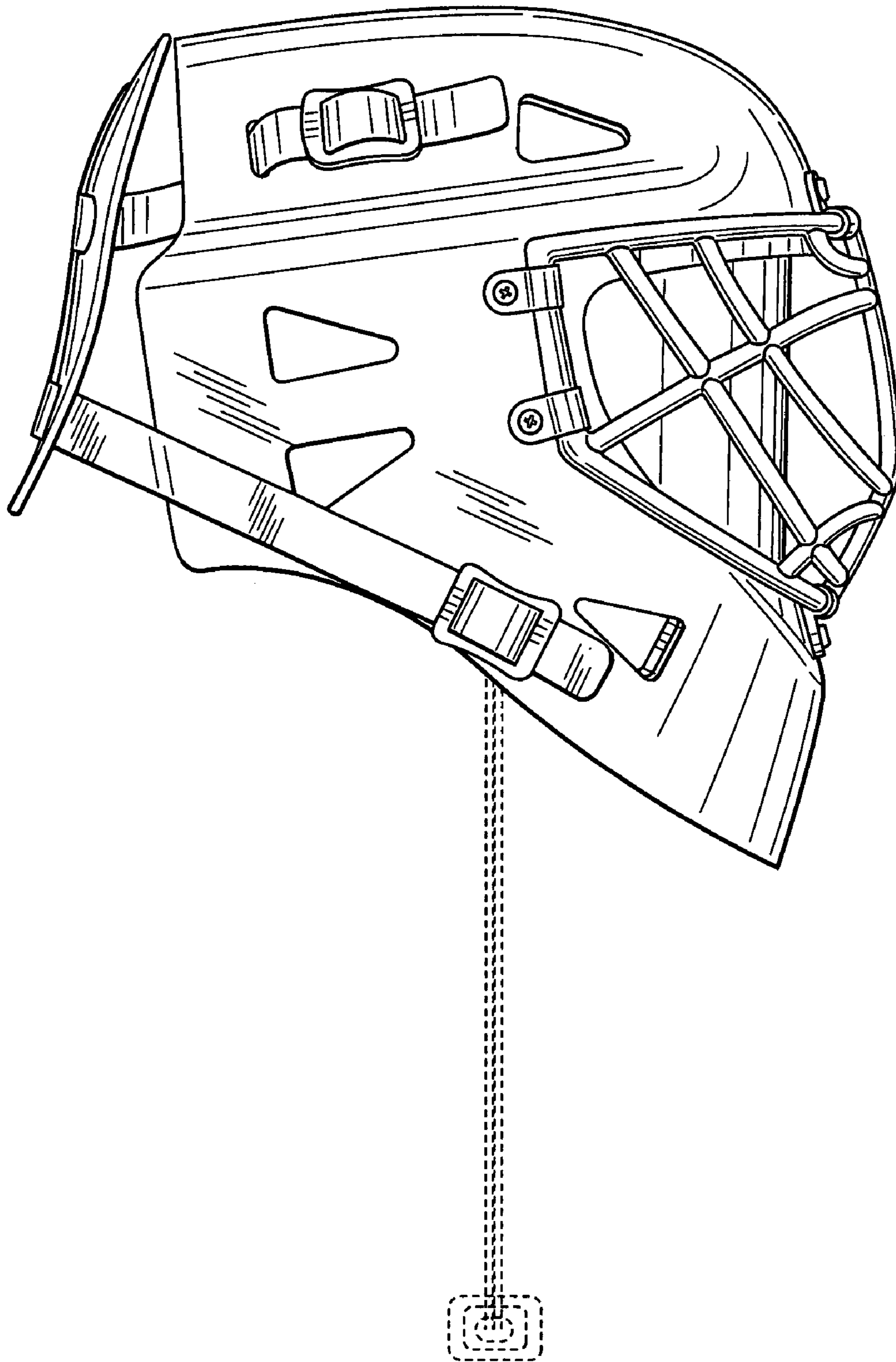


FIG. 3

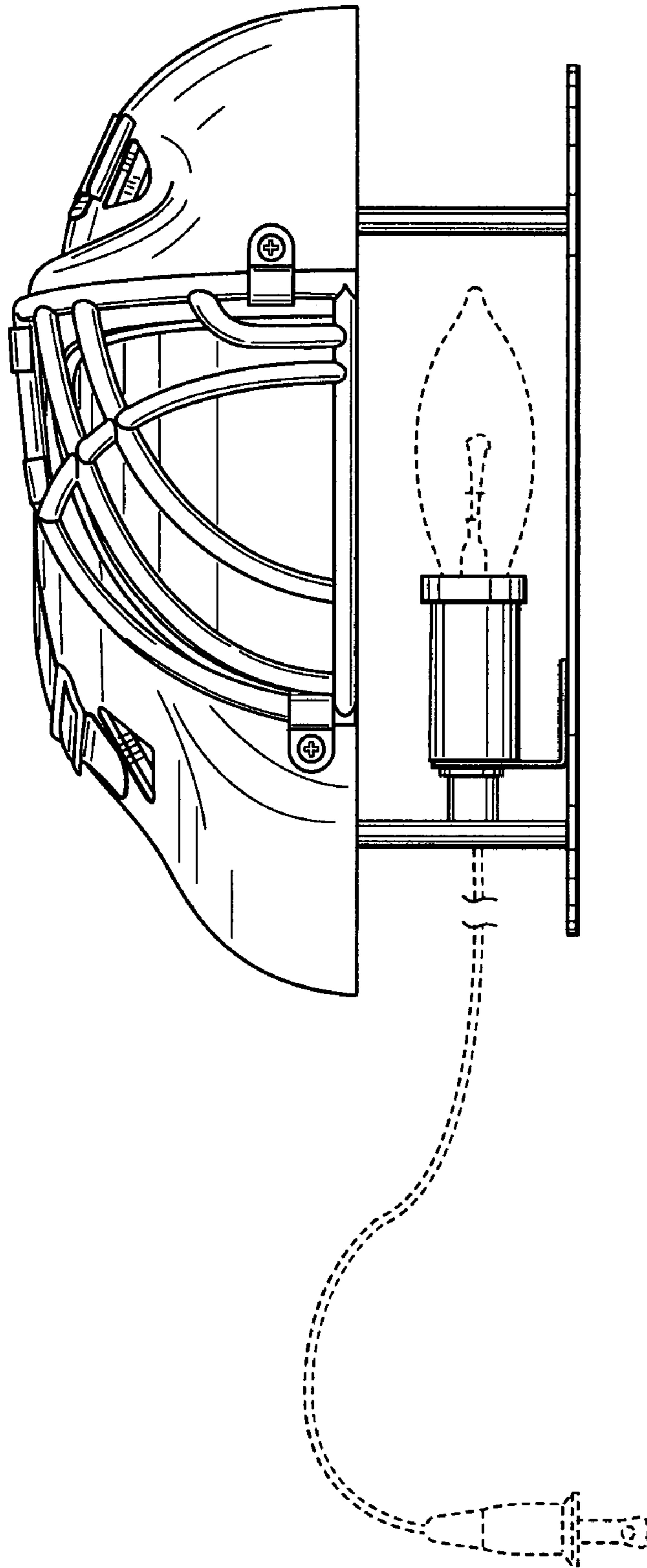


FIG. 4

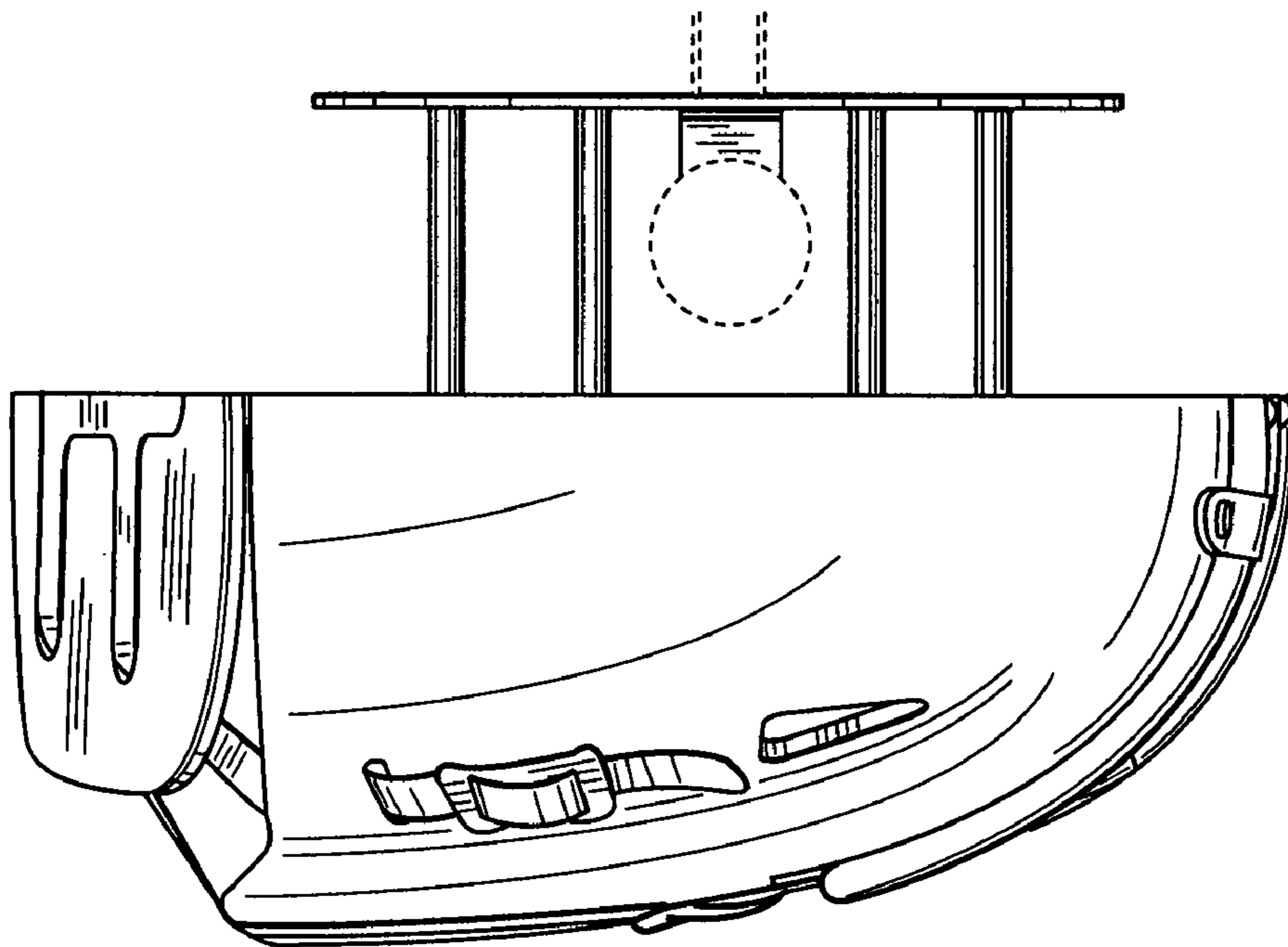


FIG. 5

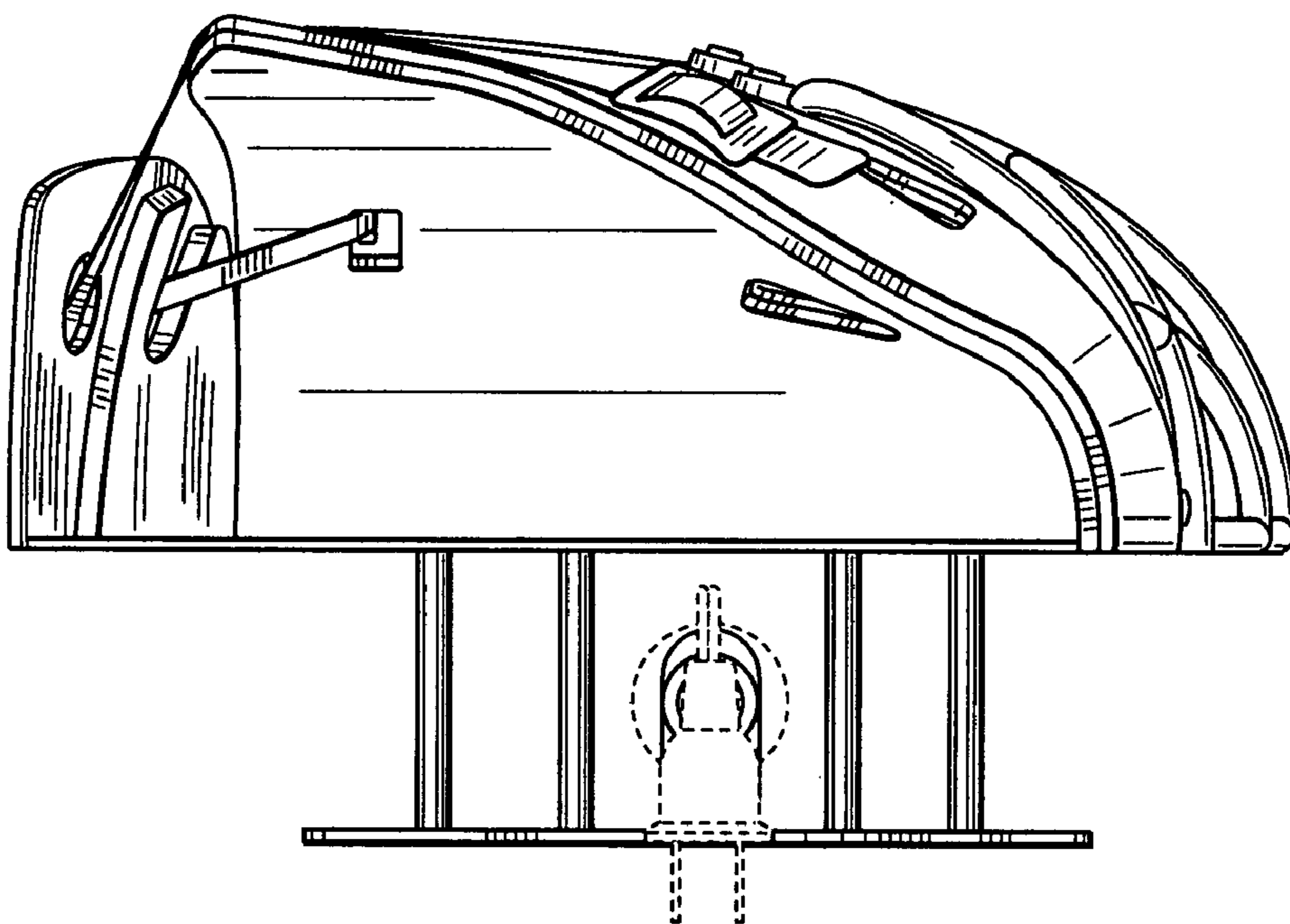


FIG. 6