



US00D575433S

(12) **United States Design Patent**  
**Nunes**

(10) **Patent No.:** **US D575,433 S**

(45) **Date of Patent:** **\*\* Aug. 19, 2008**

(54) **BASEBALL DESK LAMP**

(75) Inventor: **Brendon Nunes**, Ajax (CA)

(73) Assignee: **Trintec Industries, Inc.**, Ajax, Ontario (CA)

(\*\*) Term: **14 Years**

(21) Appl. No.: **29/274,869**

(22) Filed: **Jun. 1, 2007**

(51) **LOC (8) Cl.** ..... **26-05**

(52) **U.S. Cl.** ..... **D26/73; D26/62**

(58) **Field of Classification Search** ..... D26/26,  
D26/73, 94, 125, 62, 85, 87, 92; 362/413,  
362/432, 806, 370, 371, 252, 644, 653, 812,  
362/414

See application file for complete search history.

(56) **References Cited**

**U.S. PATENT DOCUMENTS**

D360,272 S *	7/1995	Chur	.....	D26/94
D370,547 S	6/1996	Moss		
D376,442 S *	12/1996	Locklear et al.	.....	D26/94
5,677,896 A	10/1997	Nunes		
D387,465 S *	12/1997	Copland et al.	.....	D26/94
5,741,060 A	4/1998	Johnson		
D420,733 S	2/2000	Chen		
D488,883 S	4/2004	Davis		

D506,018 S *	6/2005	Campo	.....	D26/62
D551,375 S *	9/2007	Nunes	.....	D26/73
D551,376 S *	9/2007	Nunes	.....	D26/73

**OTHER PUBLICATIONS**

Toronto Blue Jays Mini Batting Helmet Lamp found at bigflysports.com on Apr. 9, 2008.\*

\* cited by examiner

*Primary Examiner*—Clare E Heflin

(57) **CLAIM**

The fundamental design for a baseball desk lamp, as shown and described.

**DESCRIPTION**

FIG. 1 is a top-side perspective view of a desk lamp showing my new design;

FIG. 2 is a right side elevational view thereof with the opposite side a mirror image;

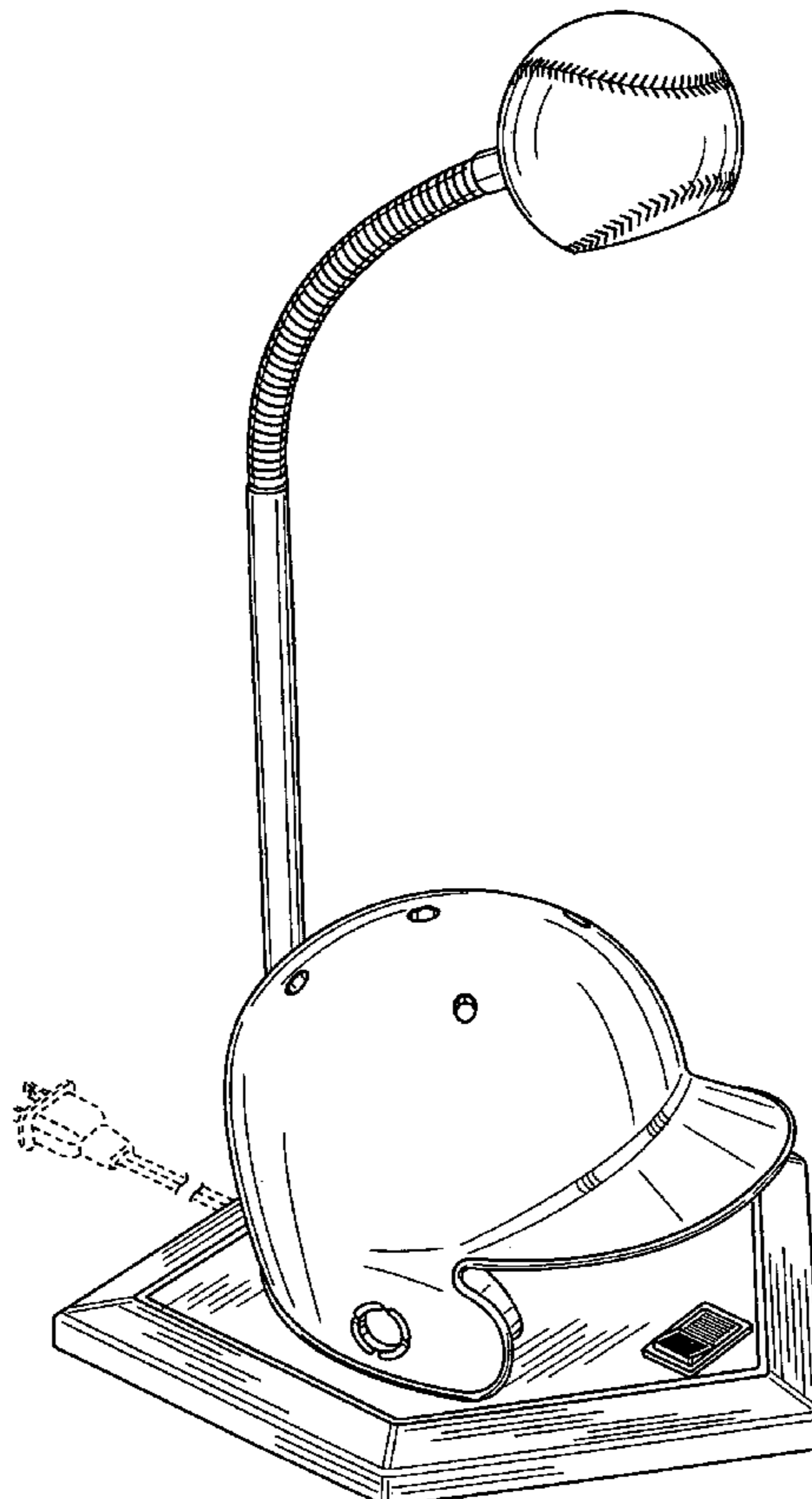
FIG. 3 is a front elevational view;

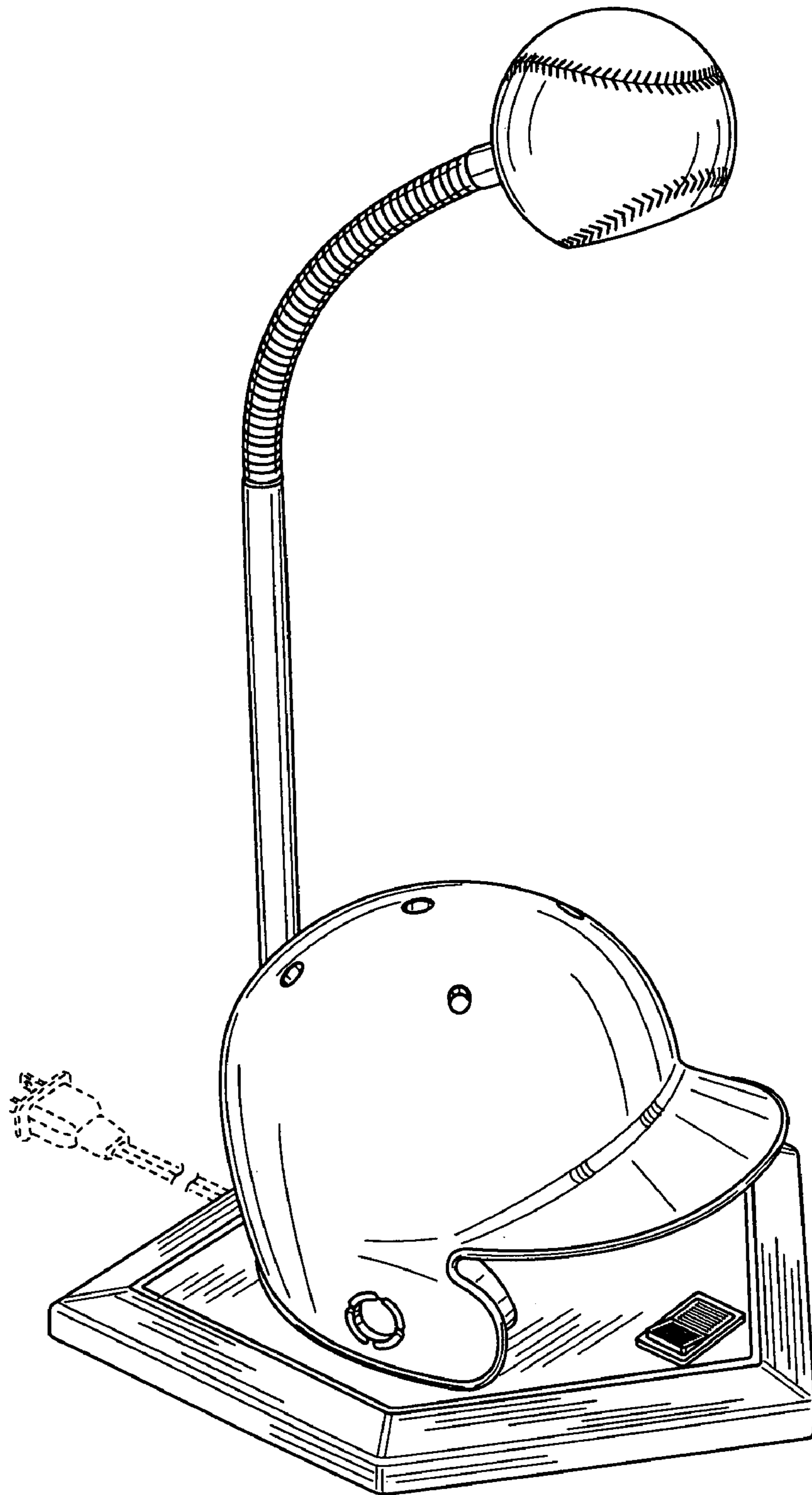
FIG. 4 is a rear elevational view; and,

FIG. 5 is a top plan view, with the bottom plain and unornamented.

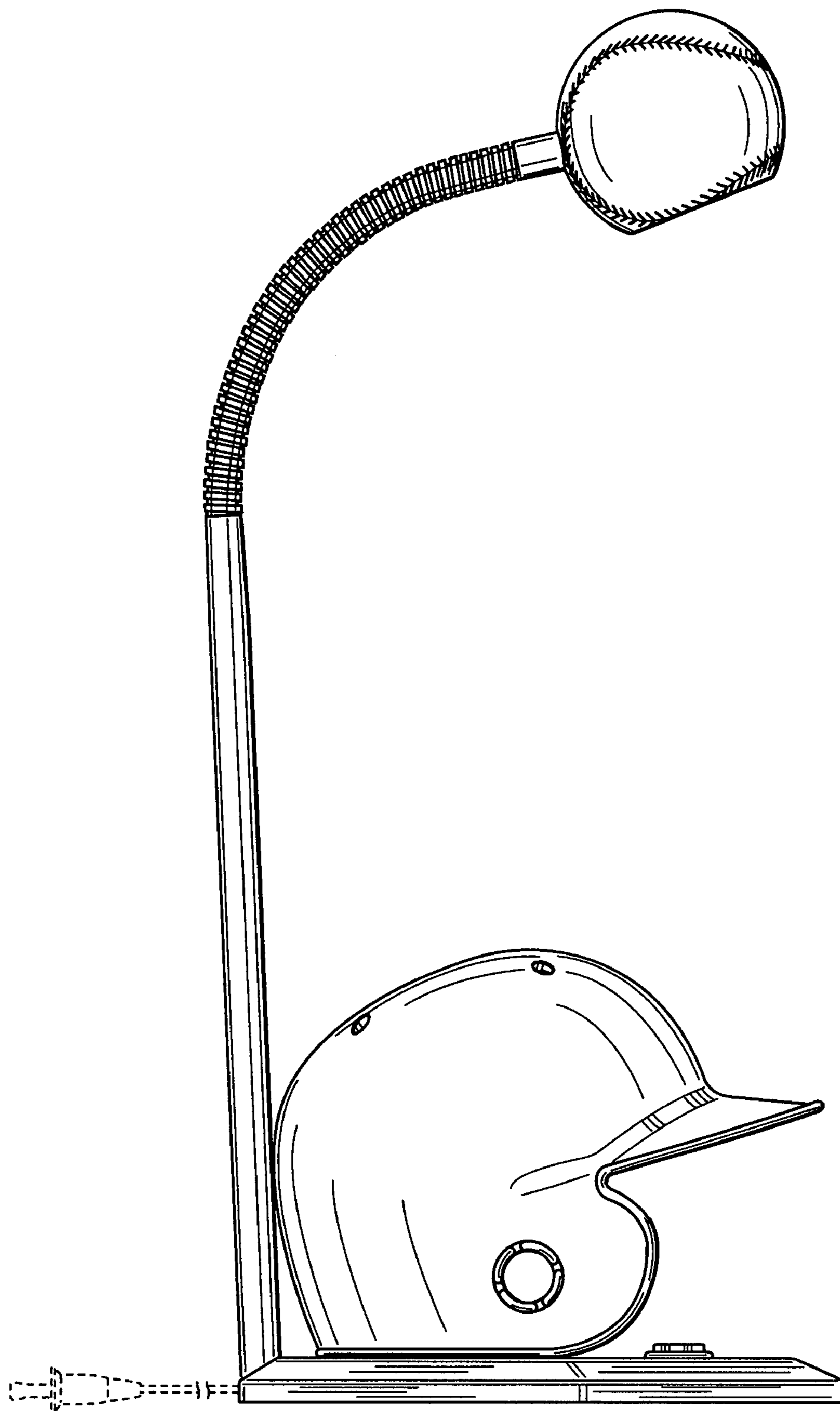
The portions of the drawings provided by broken line are intended to reflect environment, and do not form a part of my design.

**1 Claim, 5 Drawing Sheets**

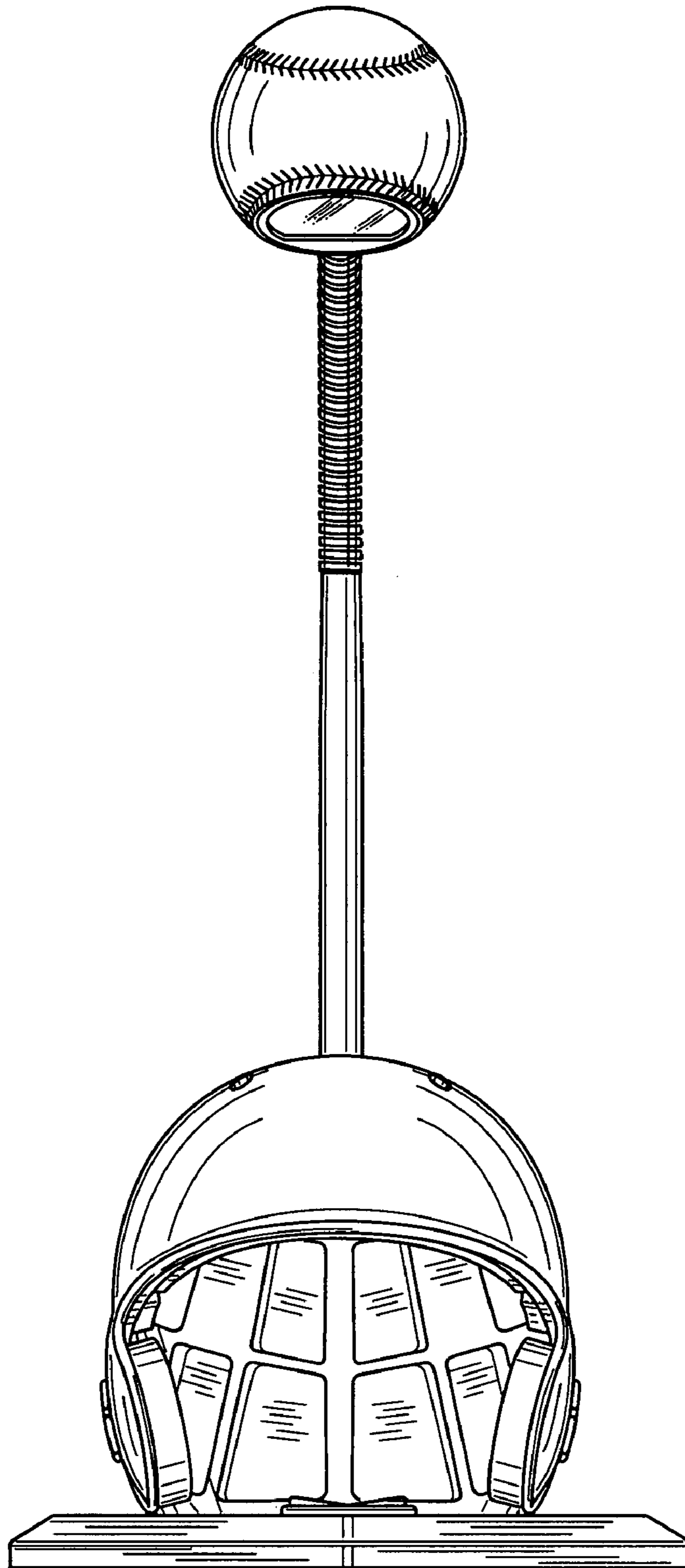




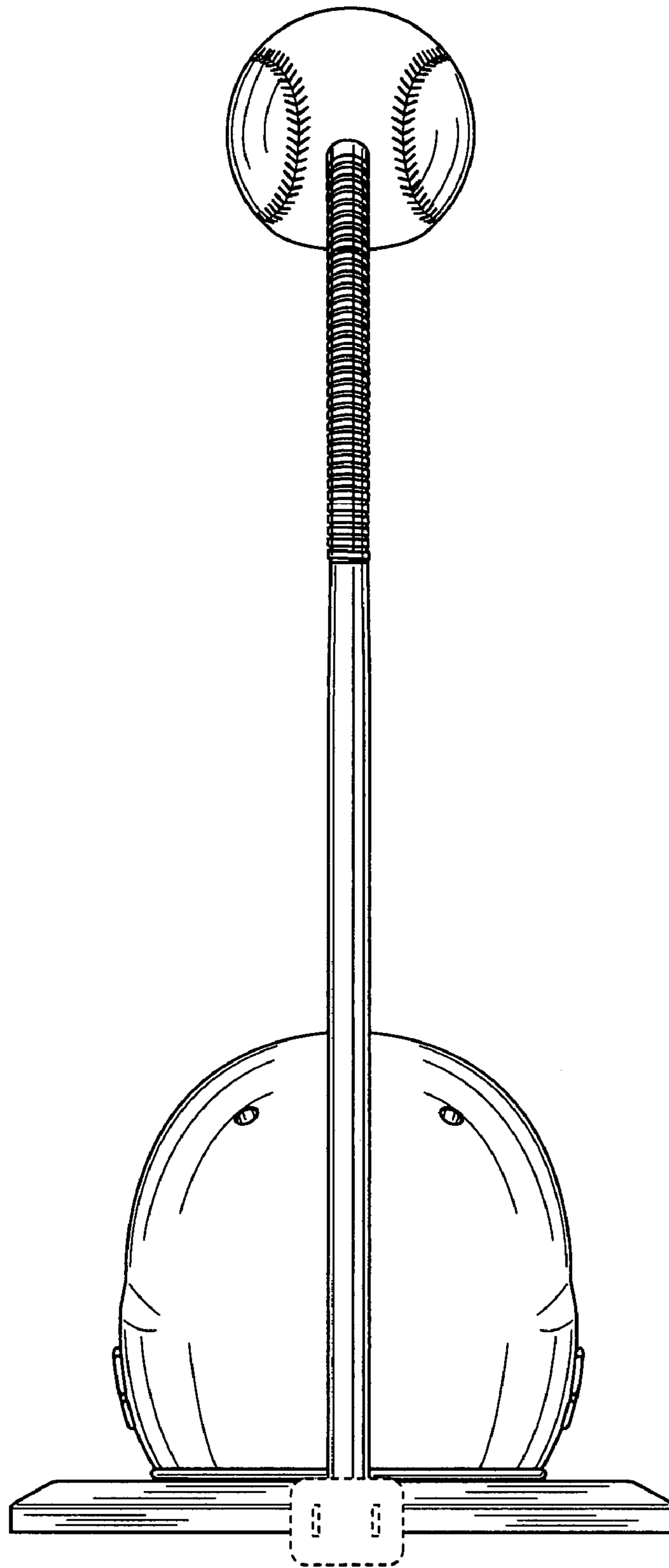
**FIG. 1**



**FIG. 2**

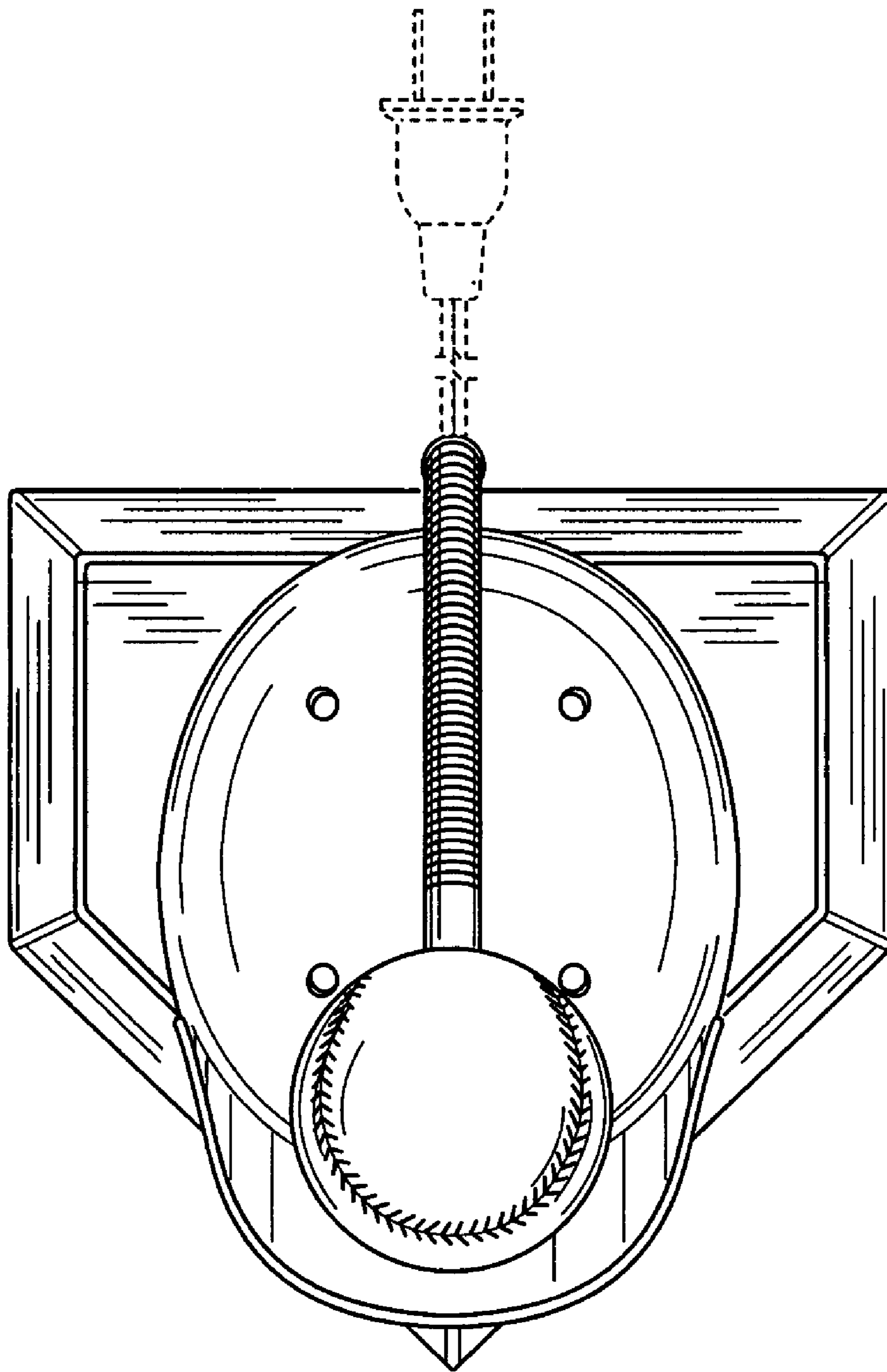


**FIG. 3**



**FIG. 4**





**FIG. 5**