



US00D575432S

(12) **United States Design Patent**
Nunes

(10) **Patent No.:** **US D575,432 S**

(45) **Date of Patent:** **** Aug. 19, 2008**

(54) **HOCKEY DESK LAMP**

(75) Inventor: **Brendon Nunes**, Ajax (CA)

(73) Assignee: **Trintec Industries, Inc.**, Ajax, Ontario (CA)

(**) Term: **14 Years**

(21) Appl. No.: **29/274,807**

(22) Filed: **May 29, 2007**

(51) **LOC (8) Cl.** **26-05**

(52) **U.S. Cl.** **D26/73; D26/62**

(58) **Field of Classification Search** D26/26,
D26/73, 94, 125, 62, 85, 87, 92; 362/413,
362/432, 806, 370, 371, 252, 644, 653, 812,
362/414

See application file for complete search history.

(56) **References Cited**

U.S. PATENT DOCUMENTS

3,356,841	A *	12/1967	Horan	362/396
D321,845	S *	11/1991	Nys	D11/157
5,124,899	A	6/1992	Hale		
D370,547	S	6/1996	Moss		
D376,442	S *	12/1996	Locklear et al.	D26/94
5,677,896	A	10/1997	Nunes		
5,816,947	A	10/1998	Kavitch		
D488,883	S	4/2004	Davis		

D506,018	S *	6/2005	Campo	D26/62
D551,375	S *	9/2007	Nunes	D26/73
D551,376	S *	9/2007	Nunes	D26/73

OTHER PUBLICATIONS

Hockey Goalie Helmet Lamp found at chalktalksports.com on Apr. 9, 2008.*

* cited by examiner

Primary Examiner—Clare E Heflin

(57) **CLAIM**

The ornamental design for a hockey desk lamp, as shown and described.

DESCRIPTION

FIG. 1 is a top-side perspective view of a desk lamp showing my new design;

FIG. 2 is a right side elevational view thereof with the opposite side a mirror image;

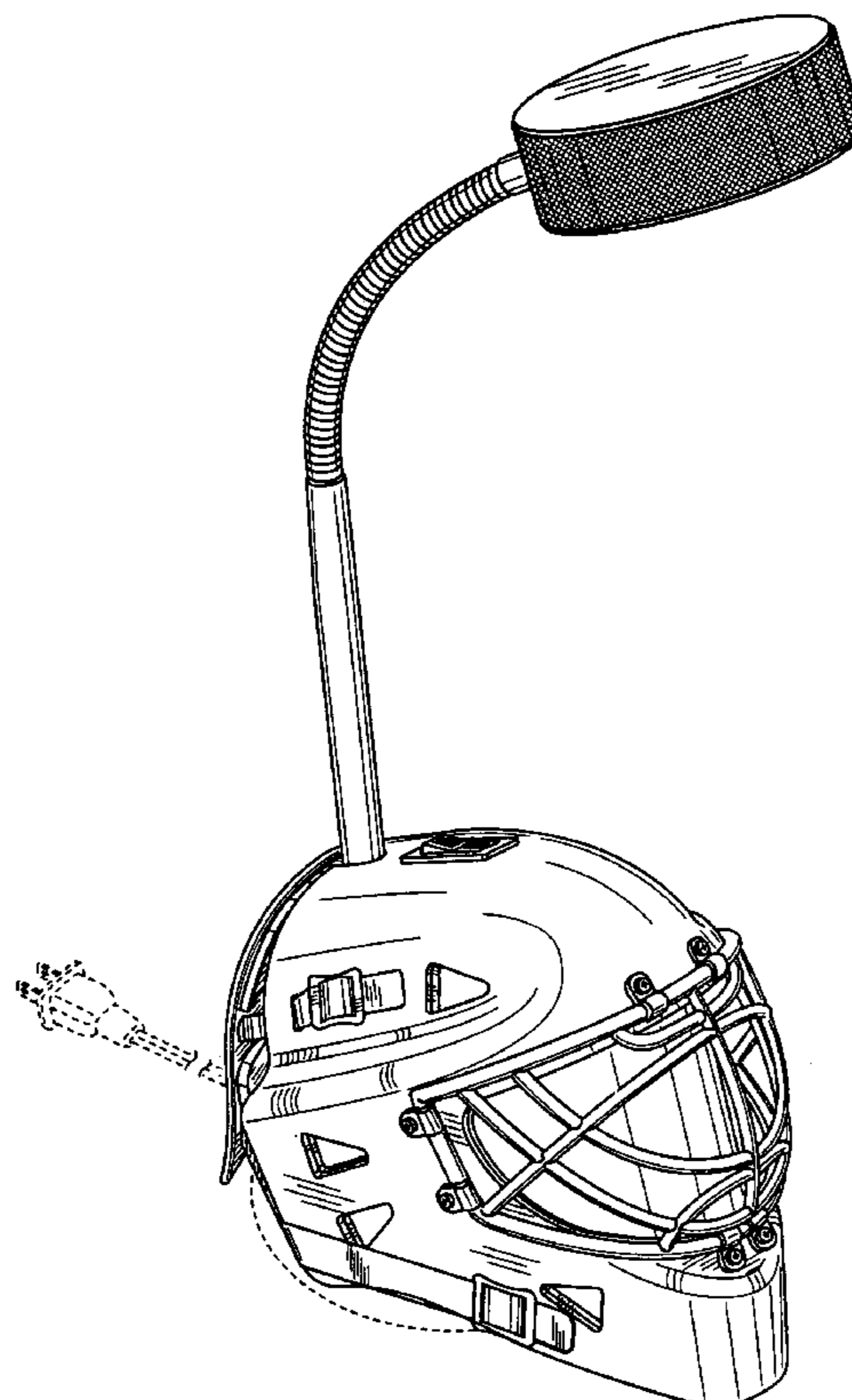
FIG. 3 is a front elevational view;

FIG. 4 is a rear elevational view; and,

FIG. 5 is a top plan view, with the bottom plain and unornamented.

The portions of the drawings provided by broken line are intended to reflect environment, and do not form a part of my design.

1 Claim, 5 Drawing Sheets



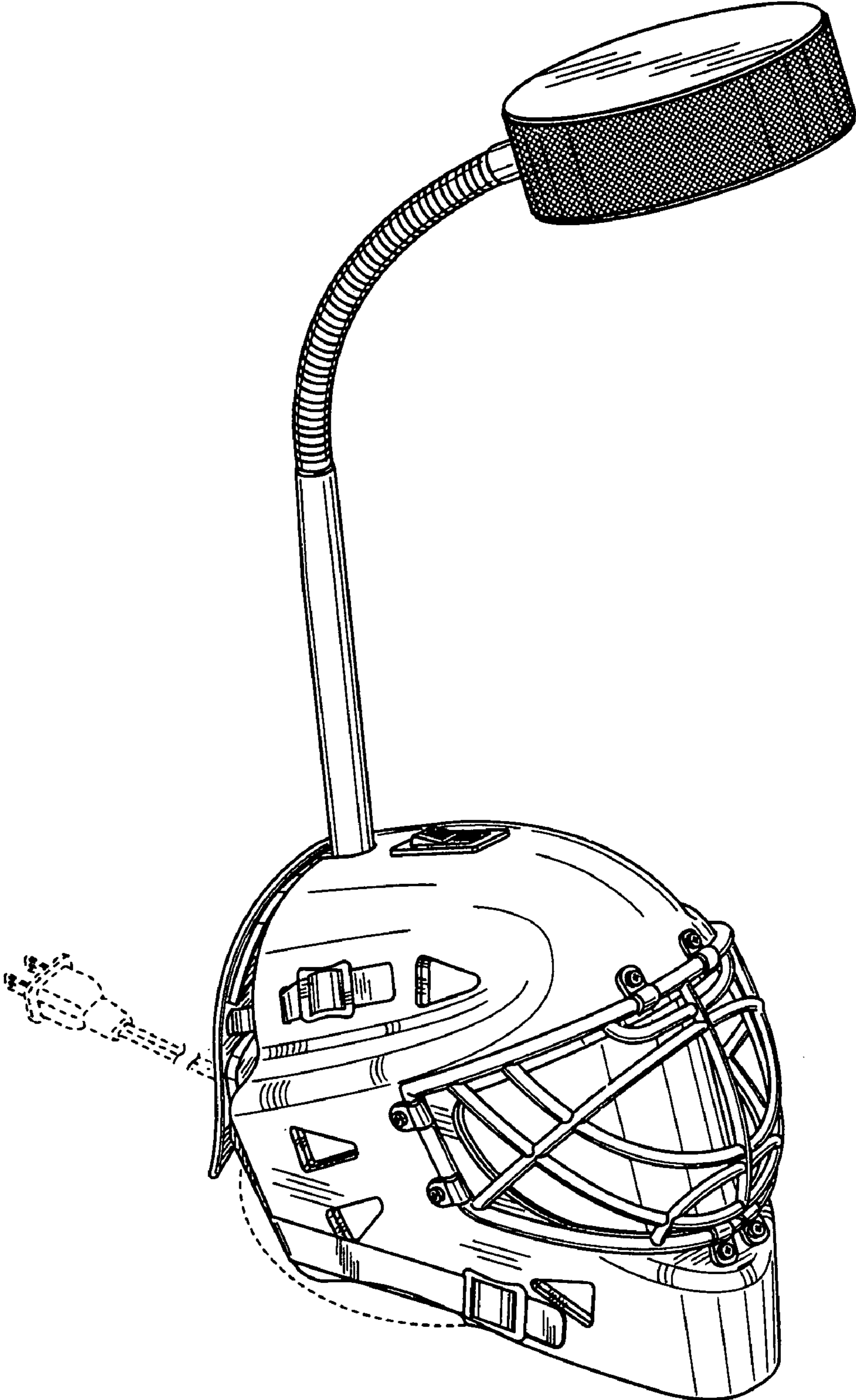


FIG. 1

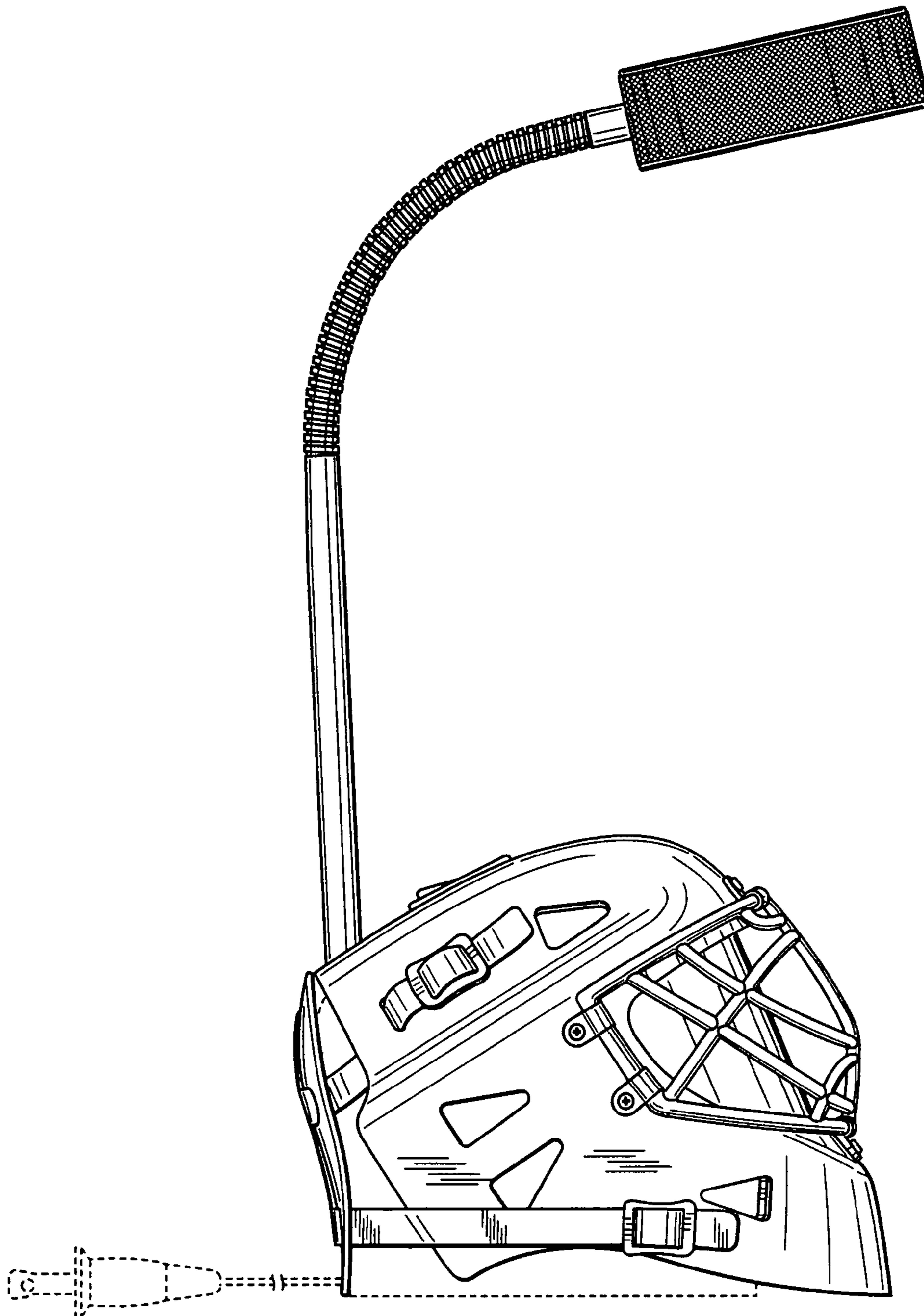


FIG. 2

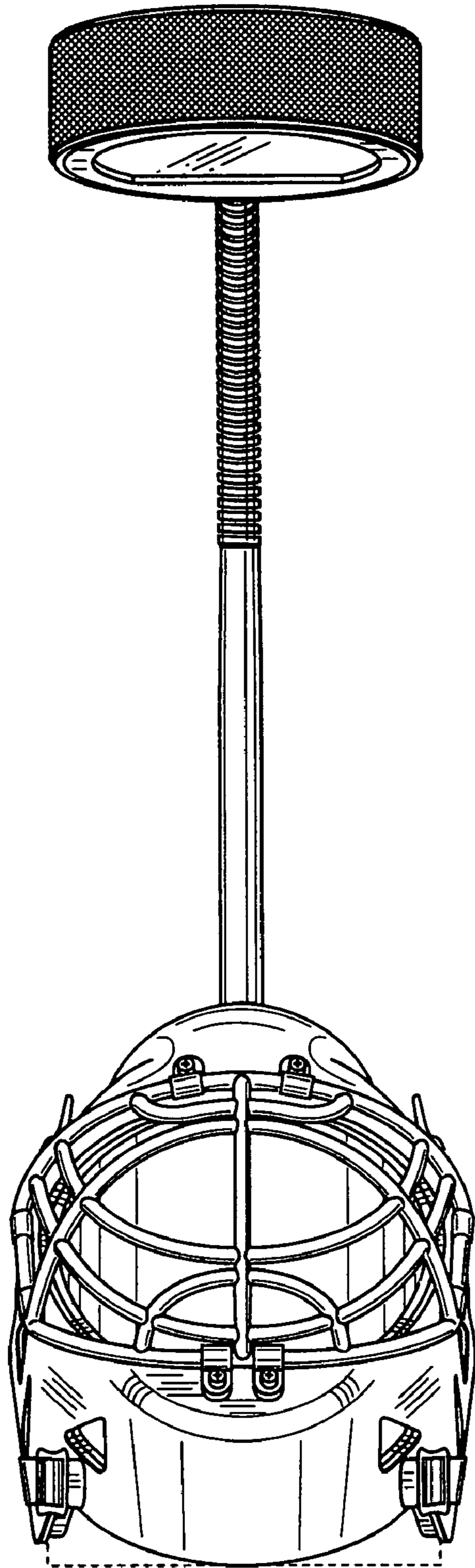


FIG. 3

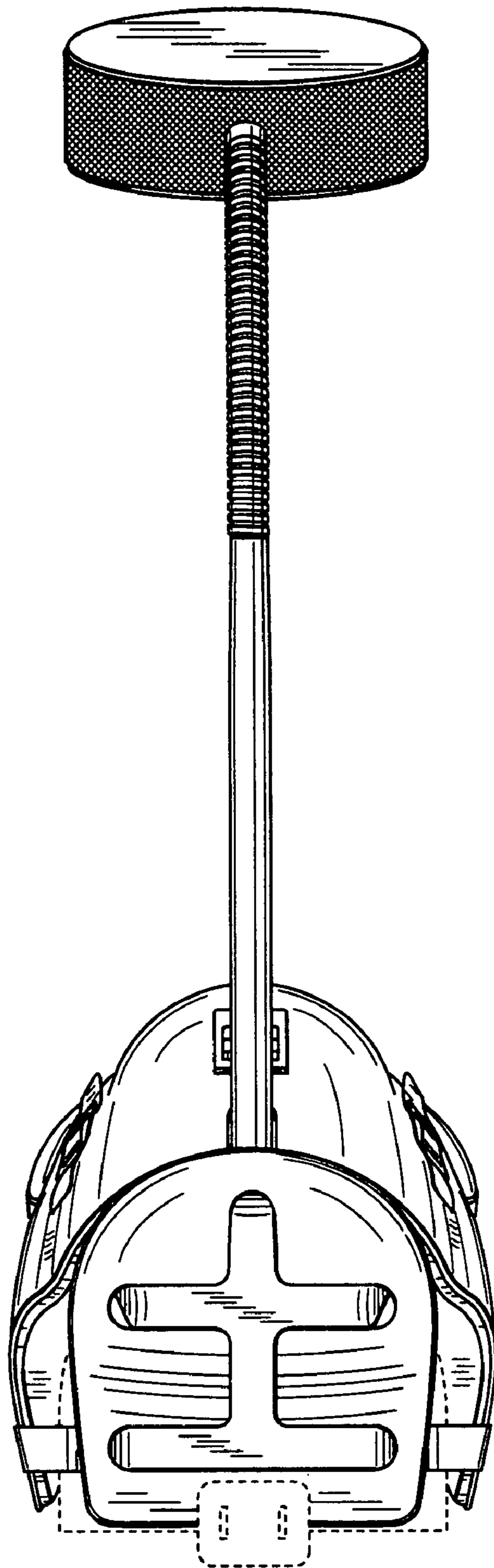


FIG. 4

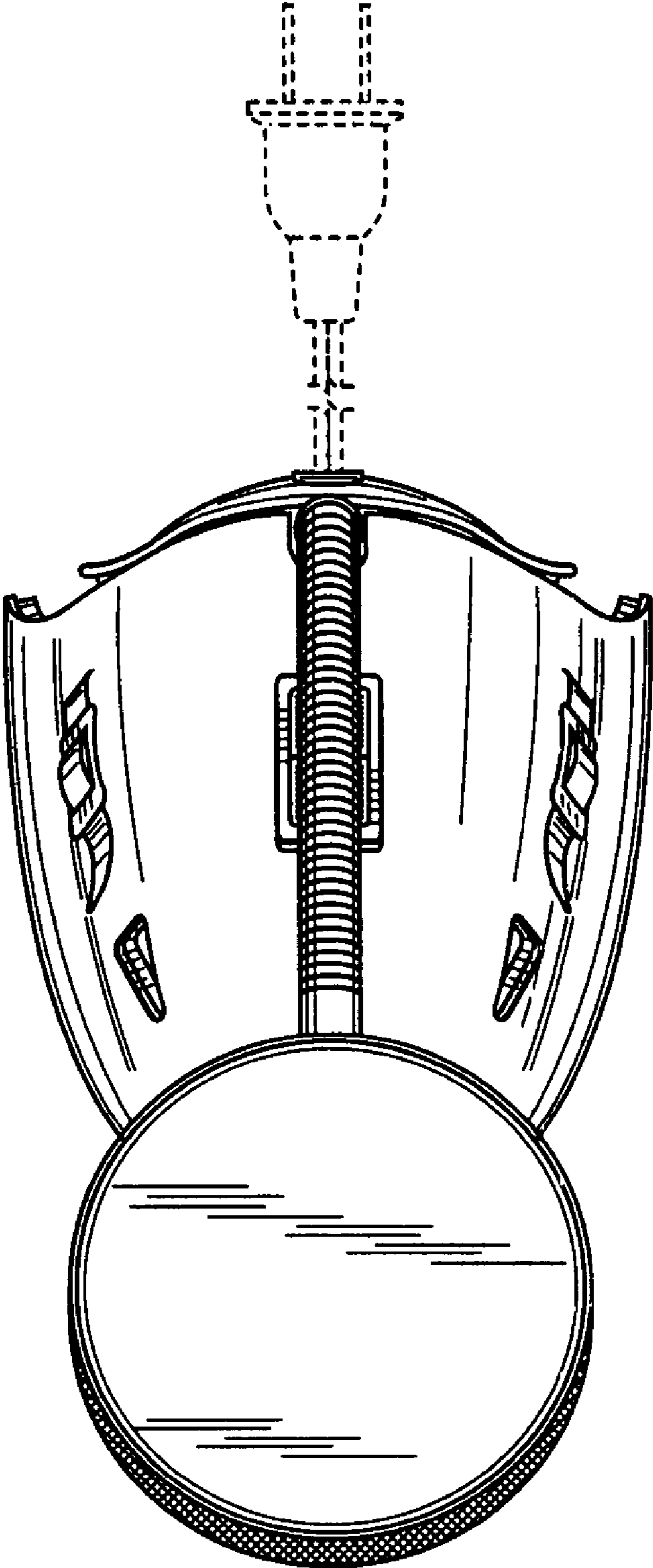


FIG. 5