



US00D575425S

(12) **United States Design Patent**  
**Nakamura et al.**

(10) **Patent No.:** **US D575,425 S**  
(45) **Date of Patent:** **\*\* Aug. 19, 2008**

(54) **REAR COMBINATION LAMP FOR AN AUTOMOBILE**

(75) Inventors: **Takumi Nakamura**, Toyota (JP);  
**Takayasu Furukawa**, Toyota (JP);  
**Jinichi Sato**, Hino (JP); **Hitoshi Takayama**, Hino (JP)

(73) Assignee: **Toyota Jidosha Kabushiki Kaisha** (JP)

(\*\*) Term: **14 Years**

(21) Appl. No.: **29/281,561**

(22) Filed: **Jun. 26, 2007**

(51) **LOC (8) Cl.** ..... **26-06**

(52) **U.S. Cl.** ..... **D26/28**

(58) **Field of Classification Search** ..... D26/28-36;  
362/459-468, 475-478, 485-487  
See application file for complete search history.

(56) **References Cited**

**U.S. PATENT DOCUMENTS**

D552,769 S	*	10/2007	Leclercq	.....	D26/28
D553,269 S	*	10/2007	Pfeiffer et al.	.....	D26/28
D560,292 S	*	1/2008	Sato	.....	D26/28
D561,357 S	*	2/2008	Leclercq	.....	D26/28
D565,211 S	*	3/2008	Haller et al.	.....	D26/28

**OTHER PUBLICATIONS**

Volkswagen, Touareg, Catalog of Volkswagen Touareg, Apr. 2004, Volkswagen Customer Center.

Toyota, Sequoia, Catalog of Toyota Sequoia, Apr. 2004, Toyota Motor Sales, U.S.A., Inc.

\* cited by examiner

*Primary Examiner*—Marcus A. Jackson

(74) *Attorney, Agent, or Firm*—SAIDMAN DesignLaw Group

(57) **CLAIM**

The ornamental design for a rear combination lamp for an automobile, as shown and described.

**DESCRIPTION**

FIG. 1 is a front perspective view of a rear combination lamp for an automobile showing our new design;

FIG. 2 is a front view thereof;

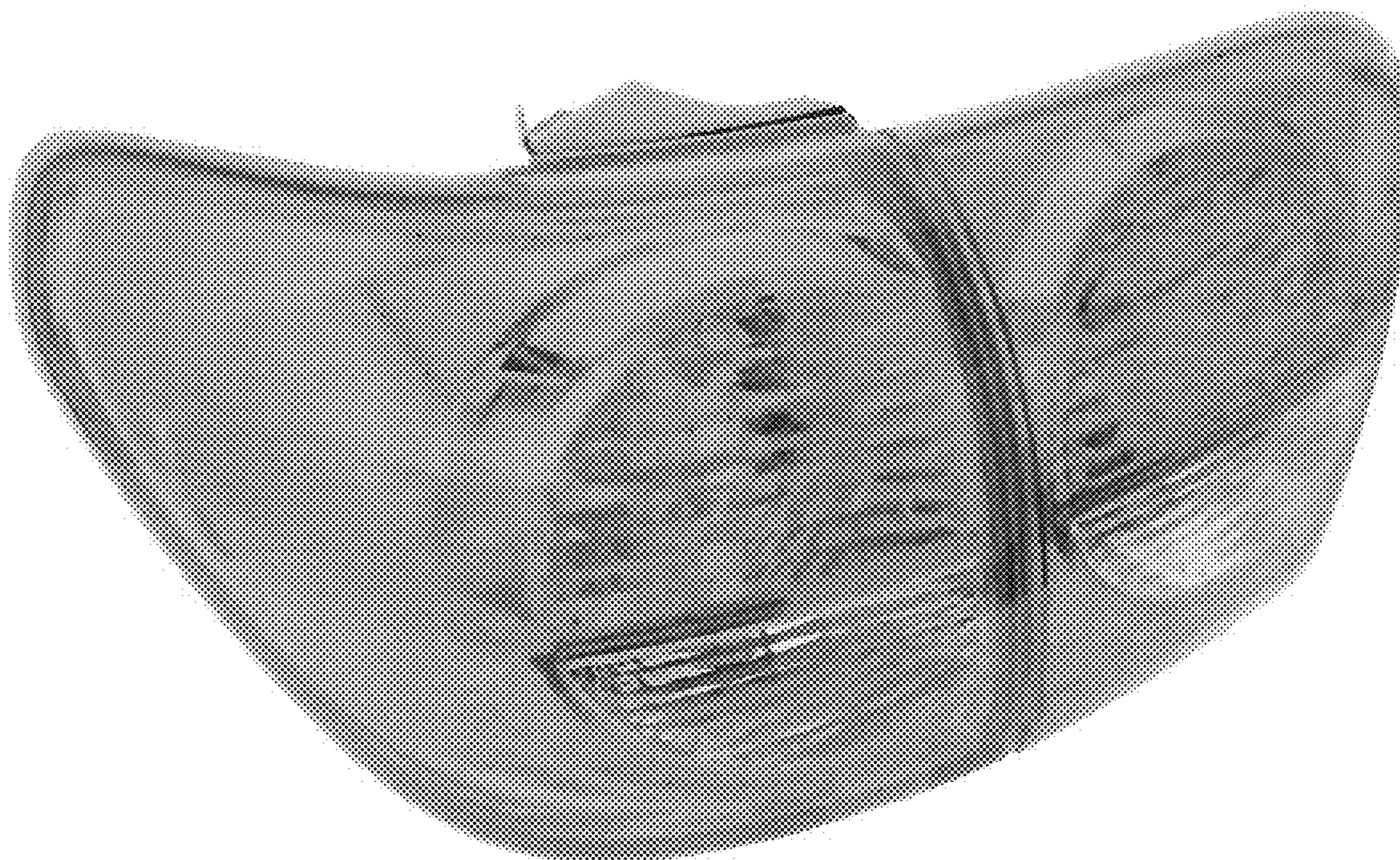
FIG. 3 is a left-side view thereof;

FIG. 4 is a right-side view thereof;

FIG. 5 is a top view thereof; and,

FIG. 6 is a bottom view thereof.

**1 Claim, 2 Drawing Sheets**



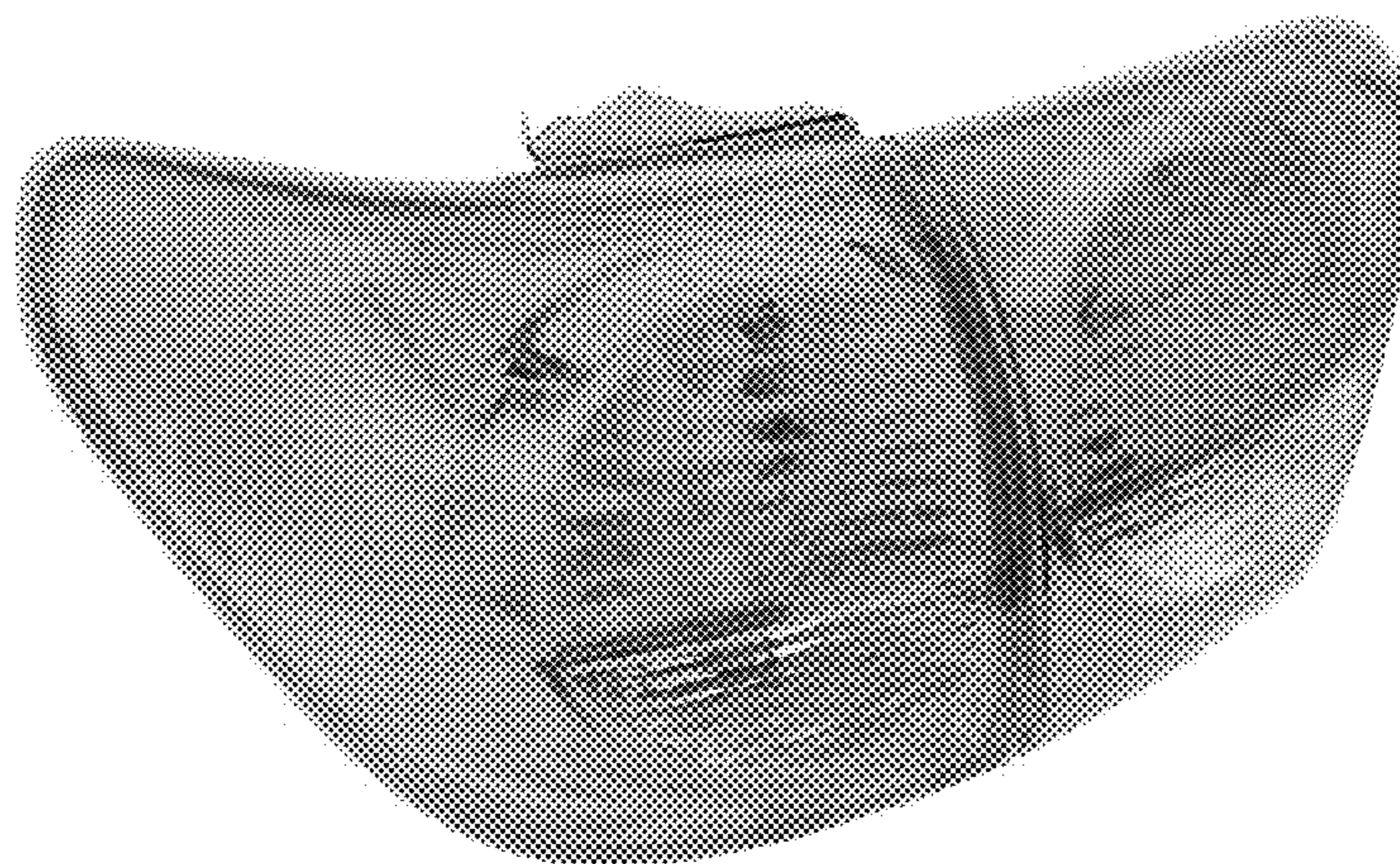


FIG. 1

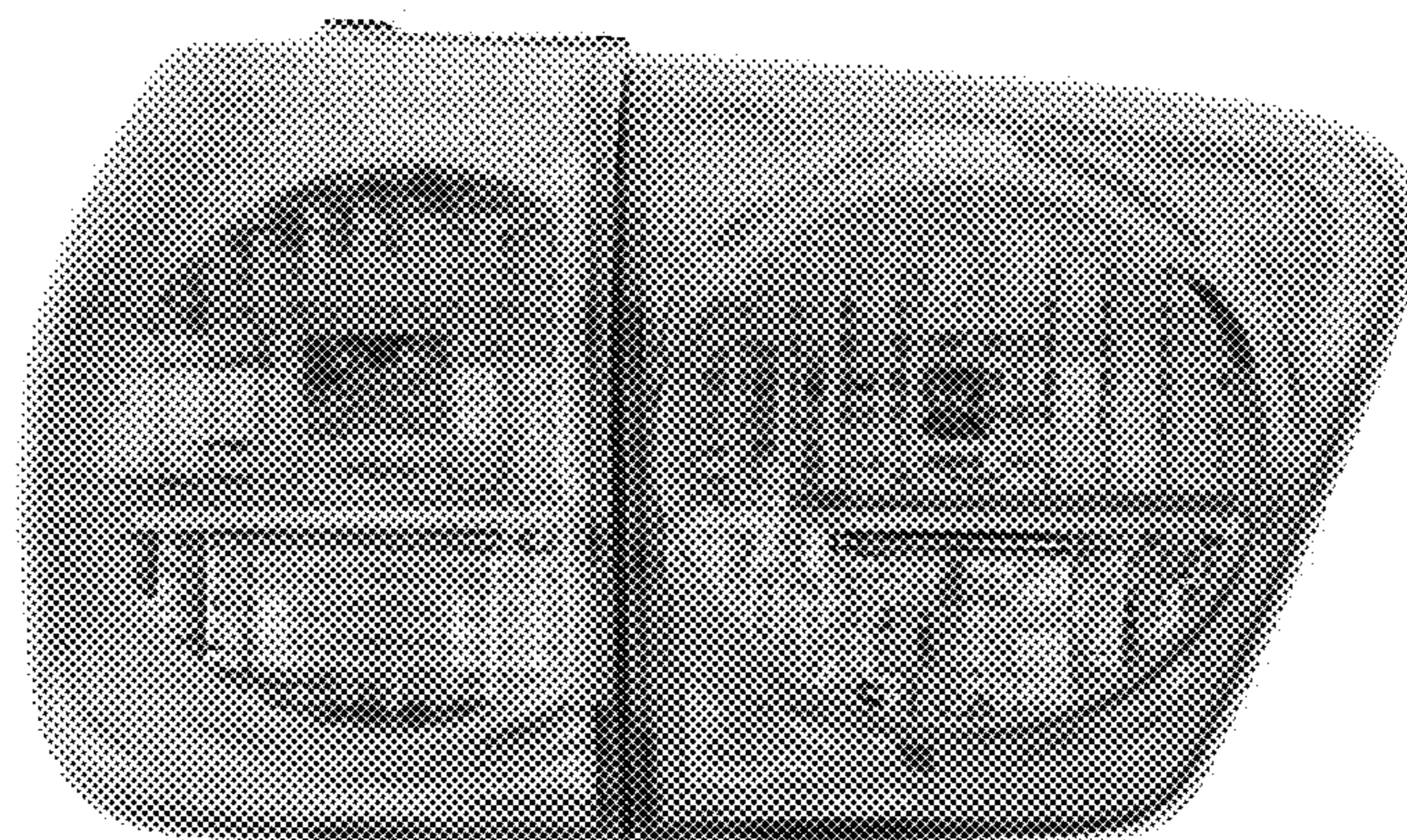


FIG. 2

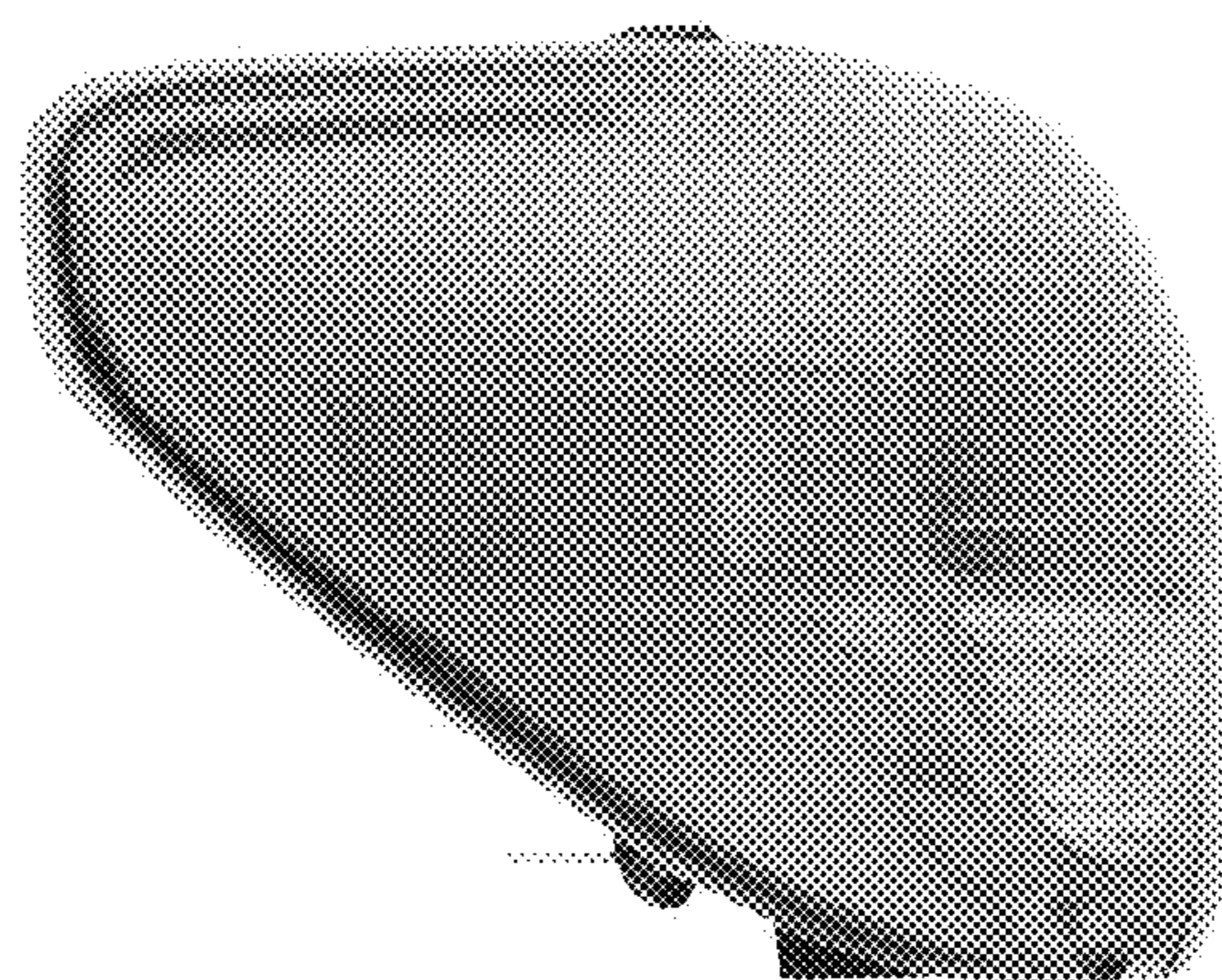


FIG. 3

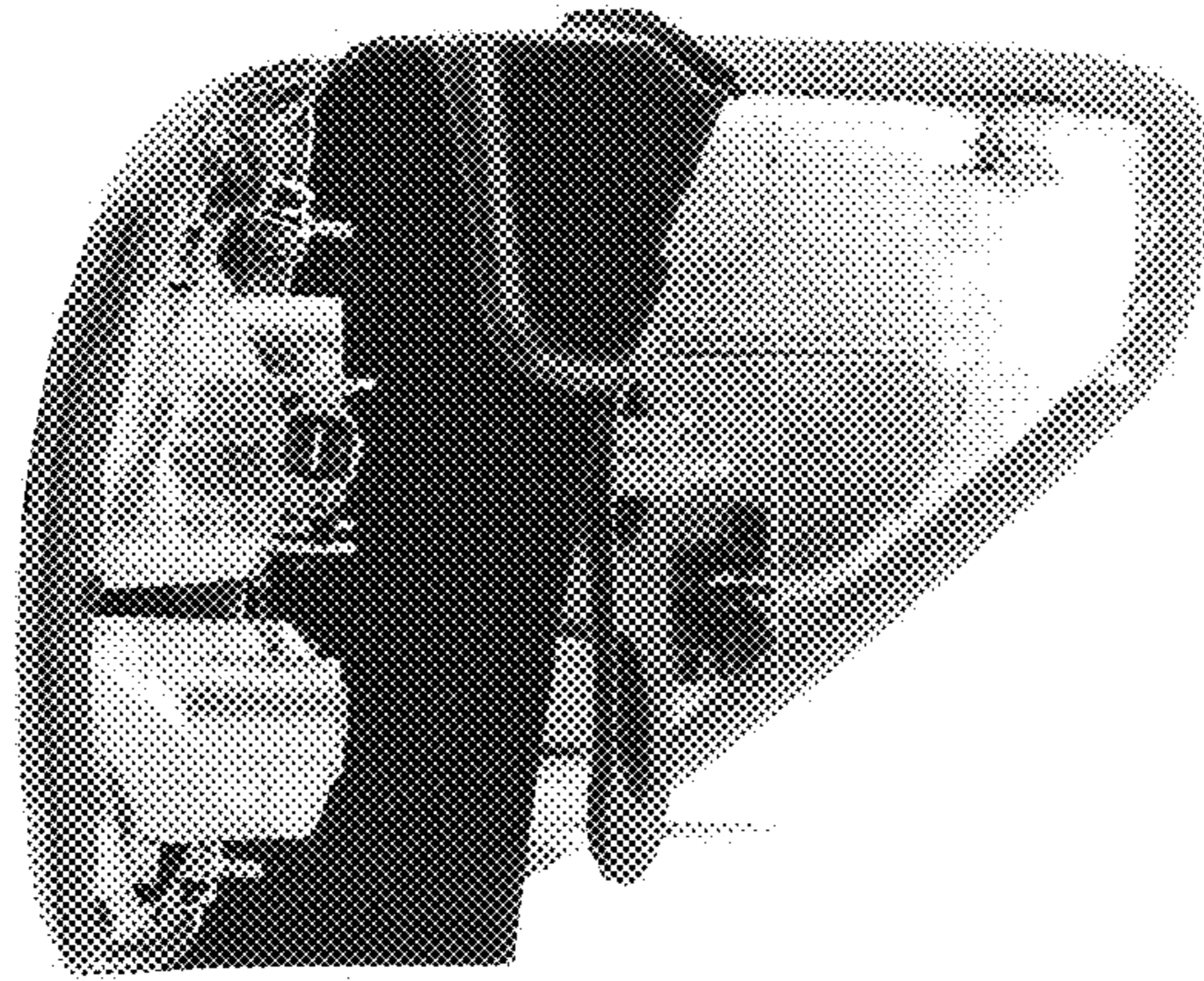


FIG. 4

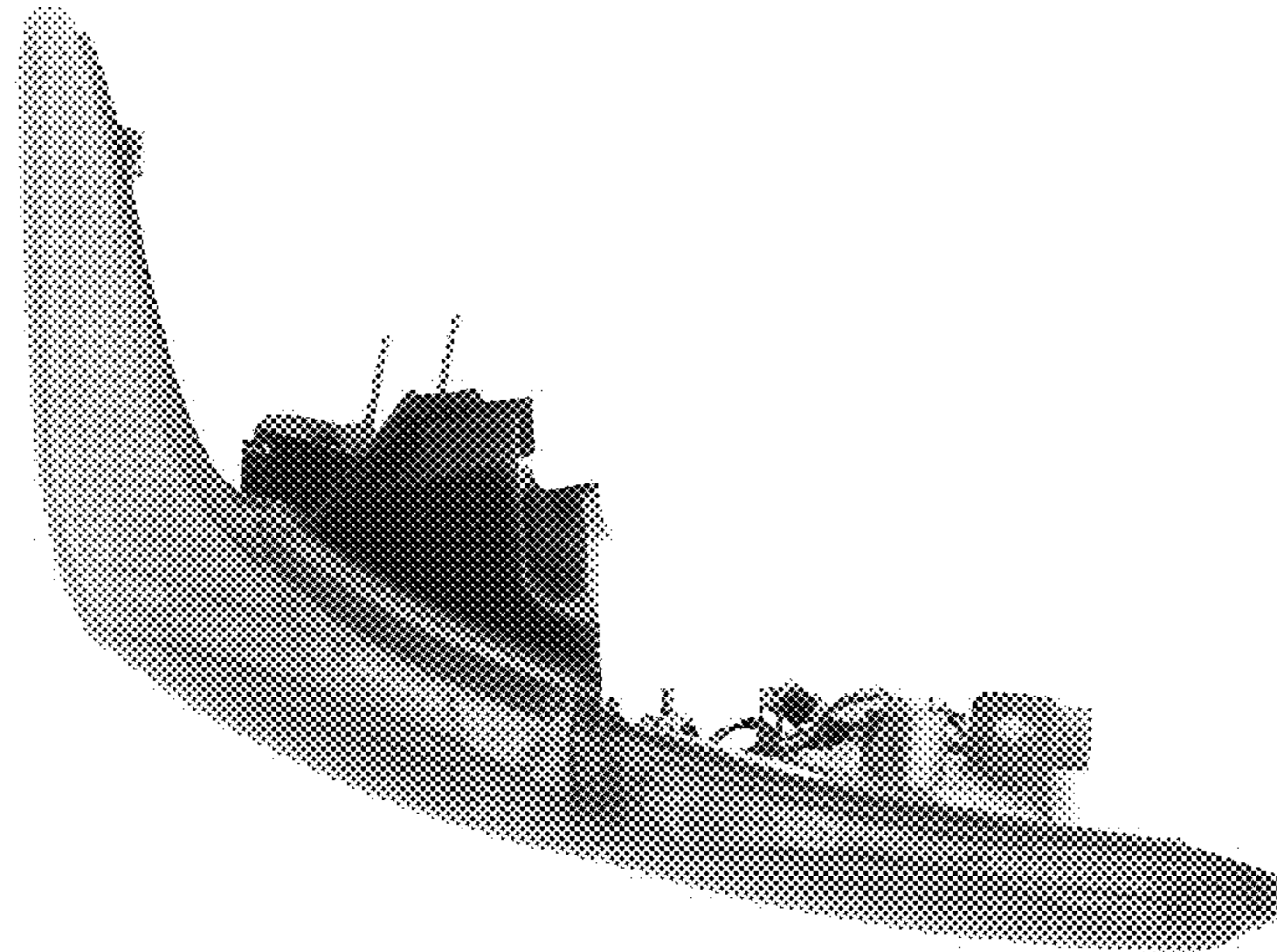


FIG. 5

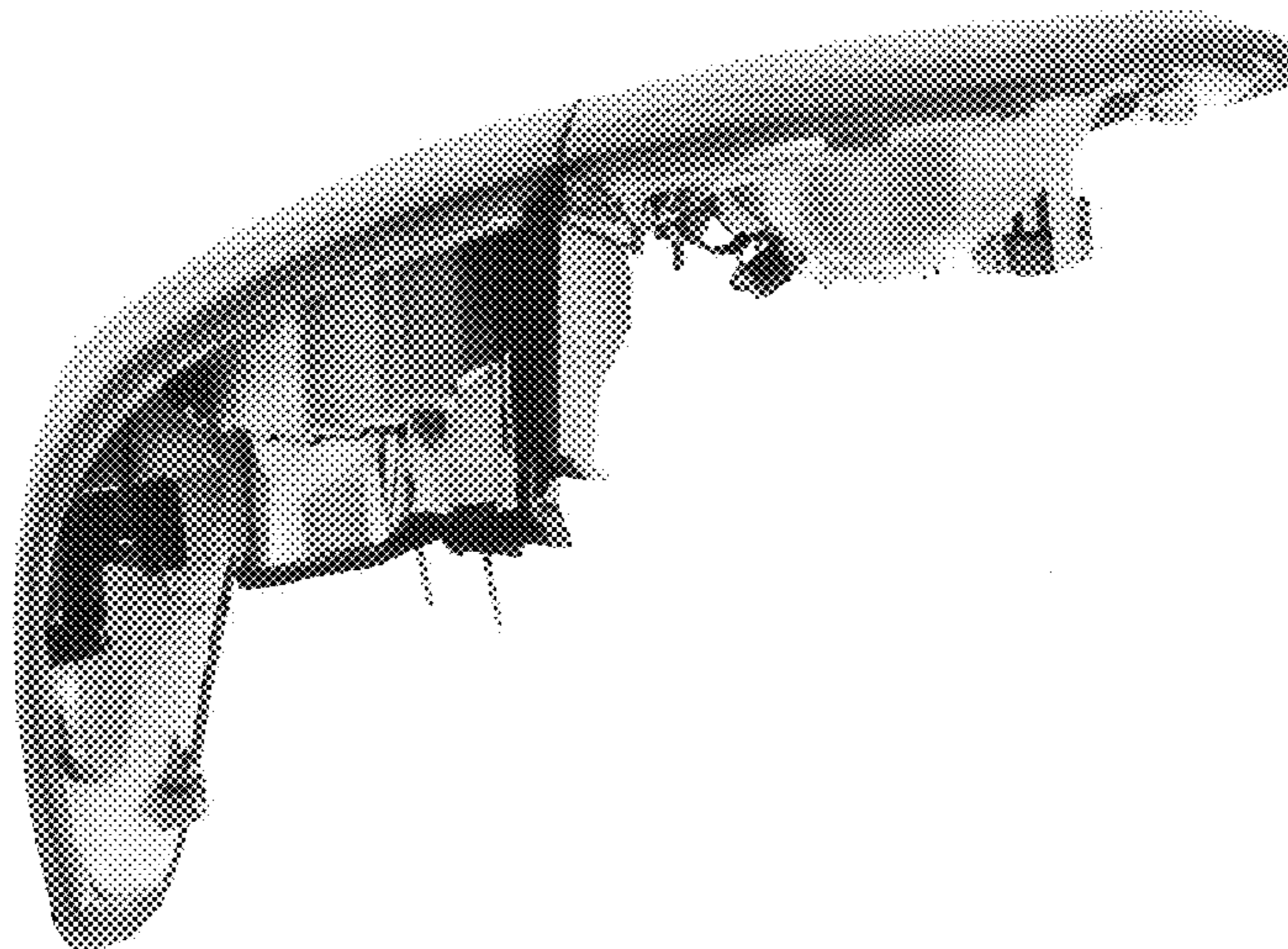


FIG. 6