



US00D575424S

(12) **United States Design Patent**  
**Gebhard et al.**

(10) **Patent No.:** **US D575,424 S**  
(45) **Date of Patent:** **\*\* Aug. 19, 2008**

(54) **SEARCHLIGHT**

(76) Inventors: **Albert W. Gebhard**, 2101 E. Alameda,  
Devner, CO (US) 80209; **Gerald L.**  
**Gohl**, Rt. 3, Box 37B, Culbertson, NE  
(US) 69024

(\*\*) Term: **14 Years**

(21) Appl. No.: **29/277,101**

(22) Filed: **Feb. 13, 2007**

(51) **LOC (8) Cl.** ..... **26-06**

(52) **U.S. Cl.** ..... **D26/28**

(58) **Field of Classification Search** ..... D26/28-36,  
D26/67, 68; 362/35, 233, 397, 269, 460,  
362/473, 477, 431

See application file for complete search history.

(56) **References Cited**

U.S. PATENT DOCUMENTS

3,431,408	A *	3/1969	Roosevelt	.....	362/477
D239,315	S *	3/1976	Satoh et al.	.....	D26/104
4,323,953	A *	4/1982	Hutchison	.....	362/269
4,363,084	A *	12/1982	Dimiceli	.....	362/269
D269,464	S *	6/1983	Caroli	.....	D26/28
4,419,721	A *	12/1983	Gregoire et al.	.....	362/269
D320,462	S	10/1991	Williams et al.		
D322,136	S	12/1991	Shima		
D327,953	S	7/1992	Jordan		
5,142,457	A *	8/1992	Wehner	.....	362/477
5,268,824	A *	12/1993	Czipri	.....	362/477
D347,704	S	6/1994	Thompson et al.		

D351,243	S	10/1994	Williams et al.		
5,490,046	A	2/1996	Gohl et al.		
5,673,989	A	10/1997	Gohl et al.		
6,499,867	B1 *	12/2002	Neal	.....	362/477
6,558,029	B2 *	5/2003	Spring, Jr.	.....	362/477
D515,228	S	2/2006	Gebhard et al.		
D551,786	S *	9/2007	Smith	.....	D26/28

\* cited by examiner

*Primary Examiner*—Clare E Heflin

(74) *Attorney, Agent, or Firm*—Margaret Polson; Patent Law  
Offices of Rick Martin, P.C

(57) **CLAIM**

The ornamental design for a searchlight, as shown and  
described.

**DESCRIPTION**

FIG. 1 is a front perspective view of our new design for a  
searchlight.

FIG. 2 is an elevation view of the right and left sides, which  
are mirror images, of the searchlight shown in FIG. 1.

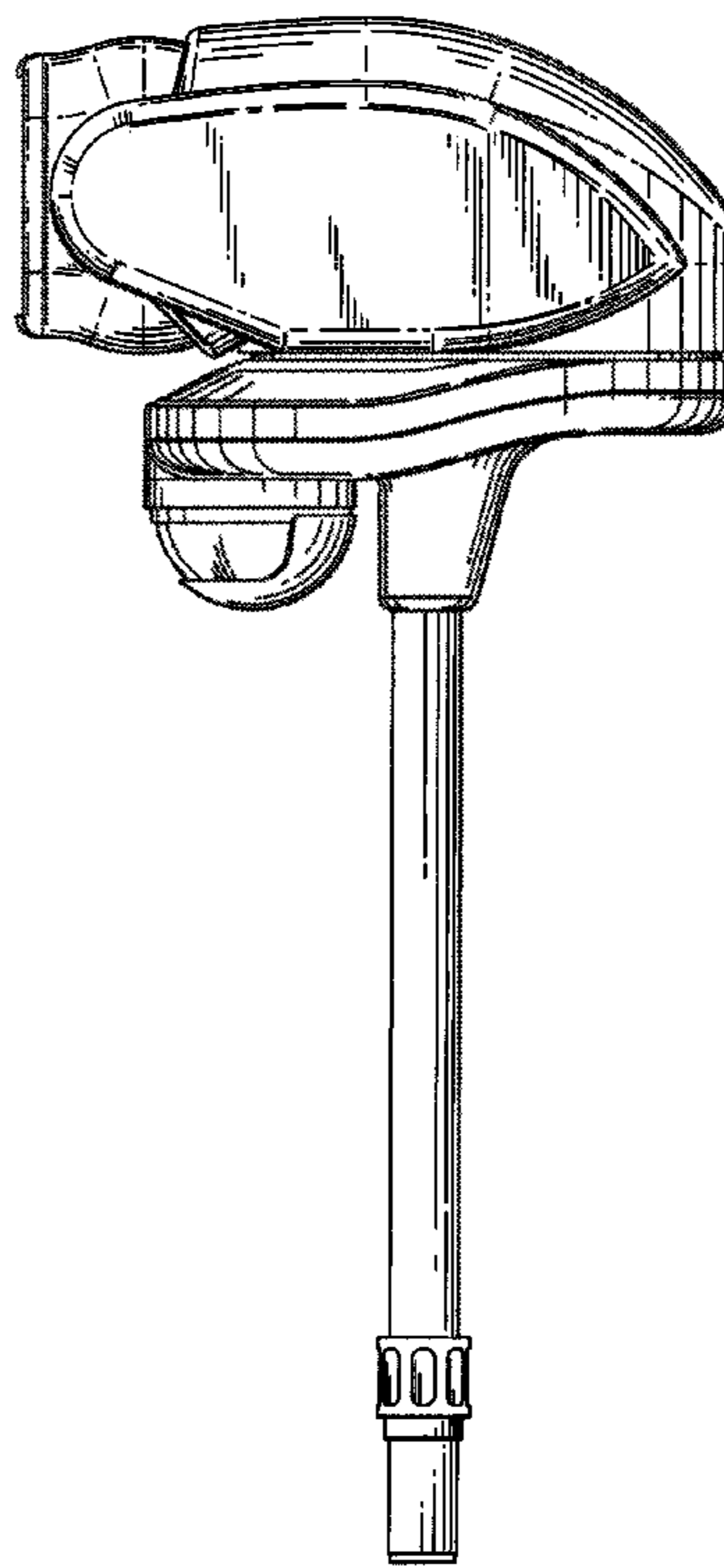
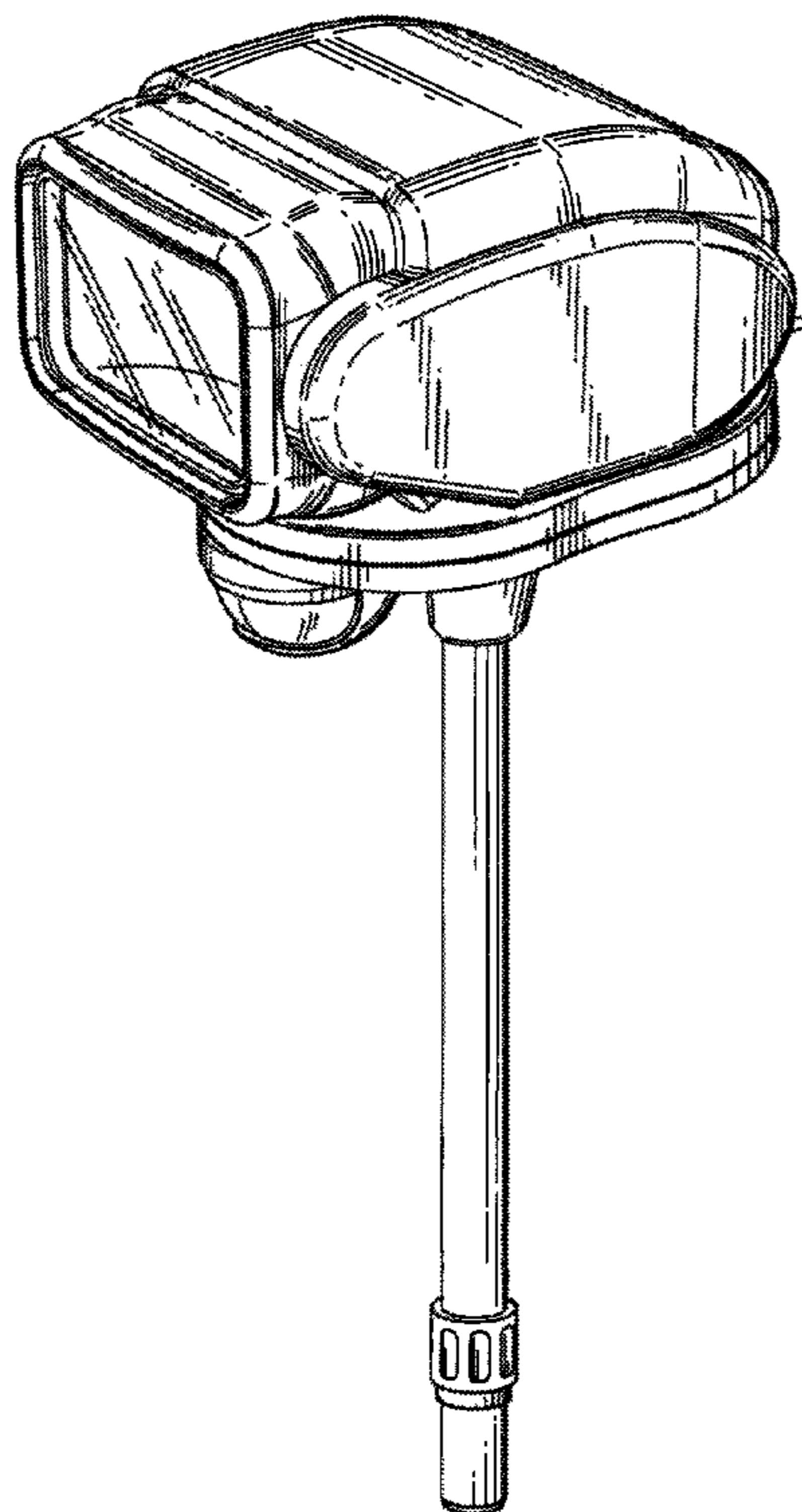
FIG. 3 is a front elevation view of the searchlight shown in  
FIG. 1.

FIG. 4 is a back side elevation view of the searchlight shown  
in FIG. 1.

FIG. 5 is a top plan view of the searchlight shown in FIG. 1;  
and,

FIG. 6 is a bottom plan view of the searchlight shown in FIG.  
1.

**1 Claim, 4 Drawing Sheets**



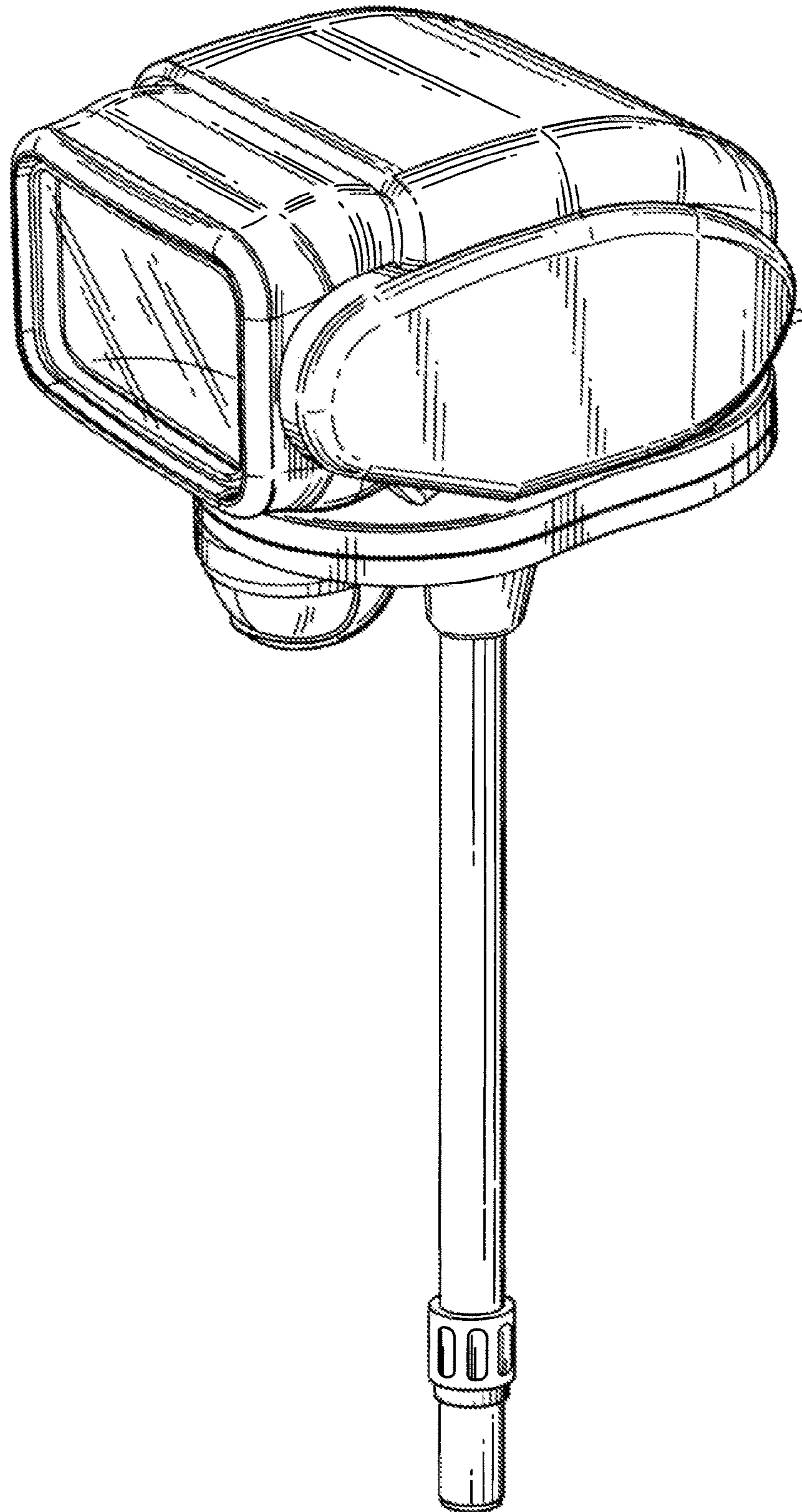


FIG.1

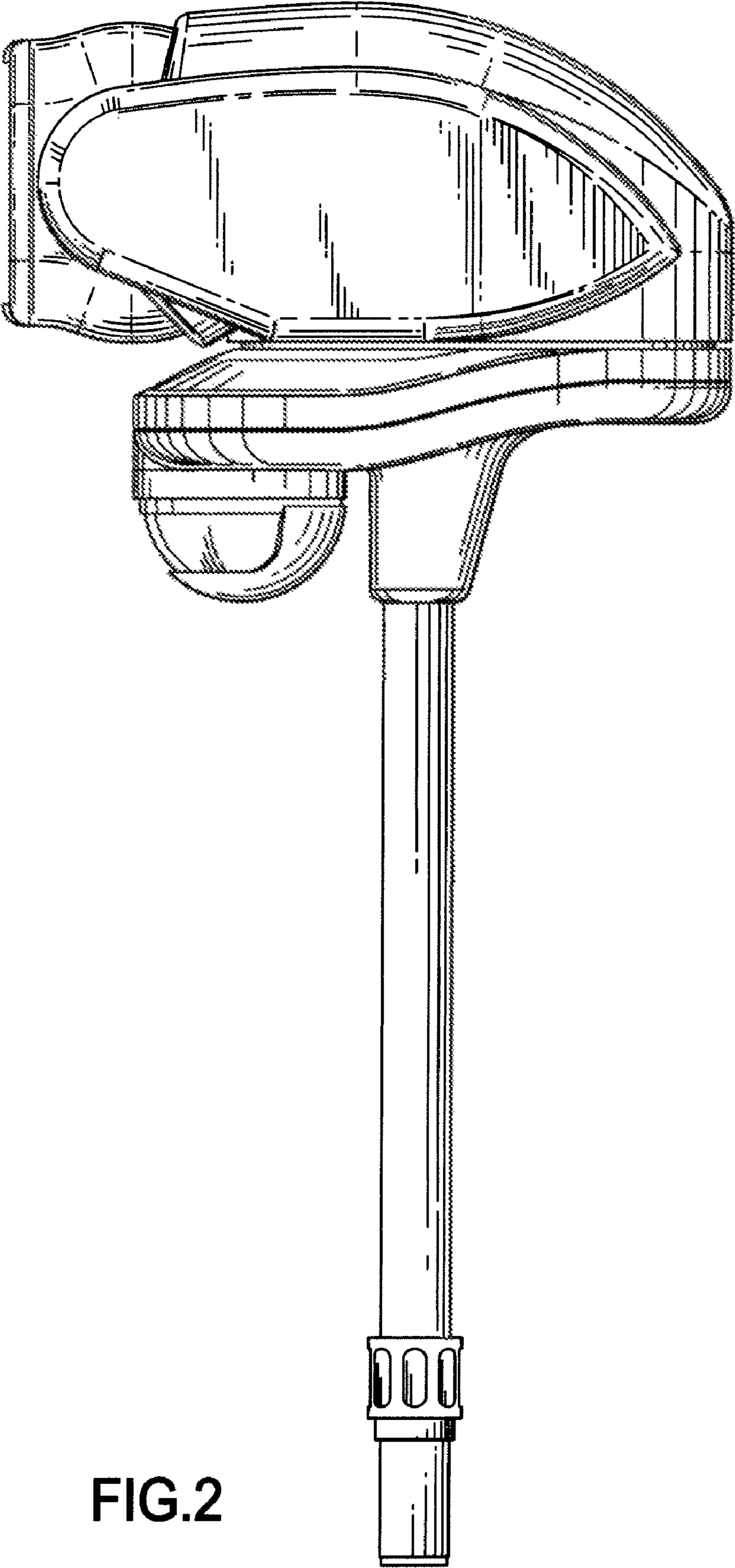


FIG.2

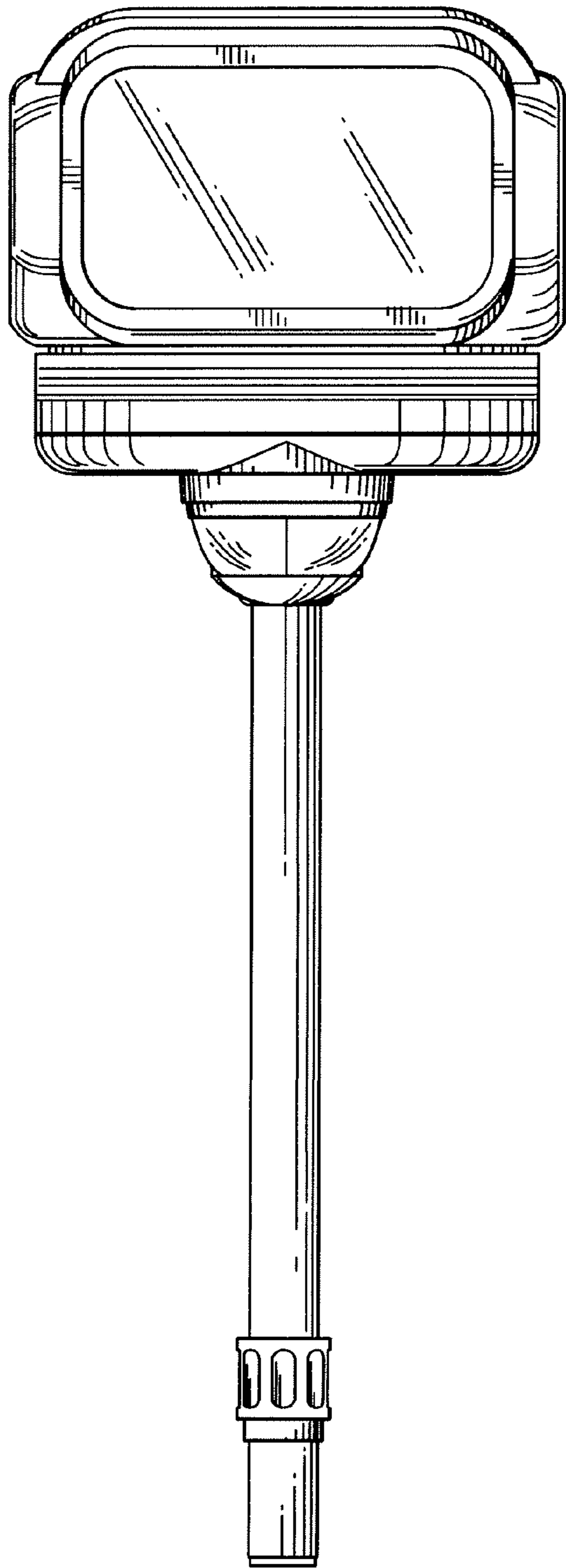


FIG.3

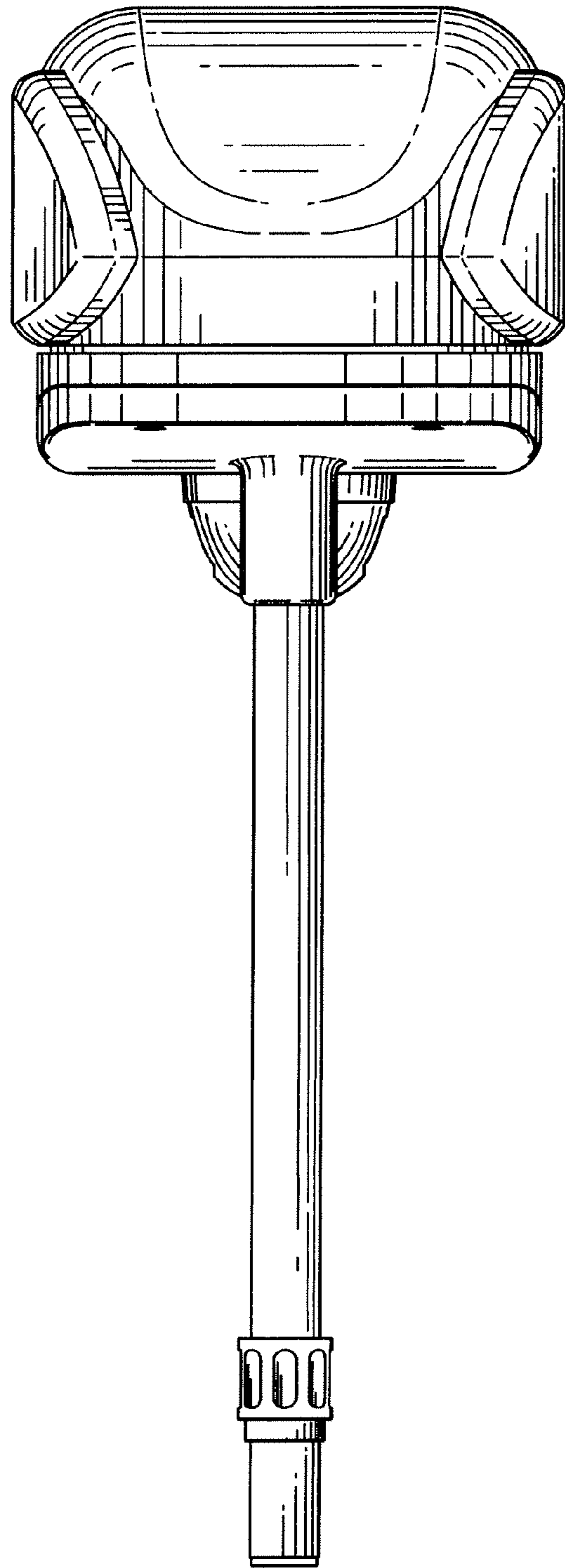


FIG.4

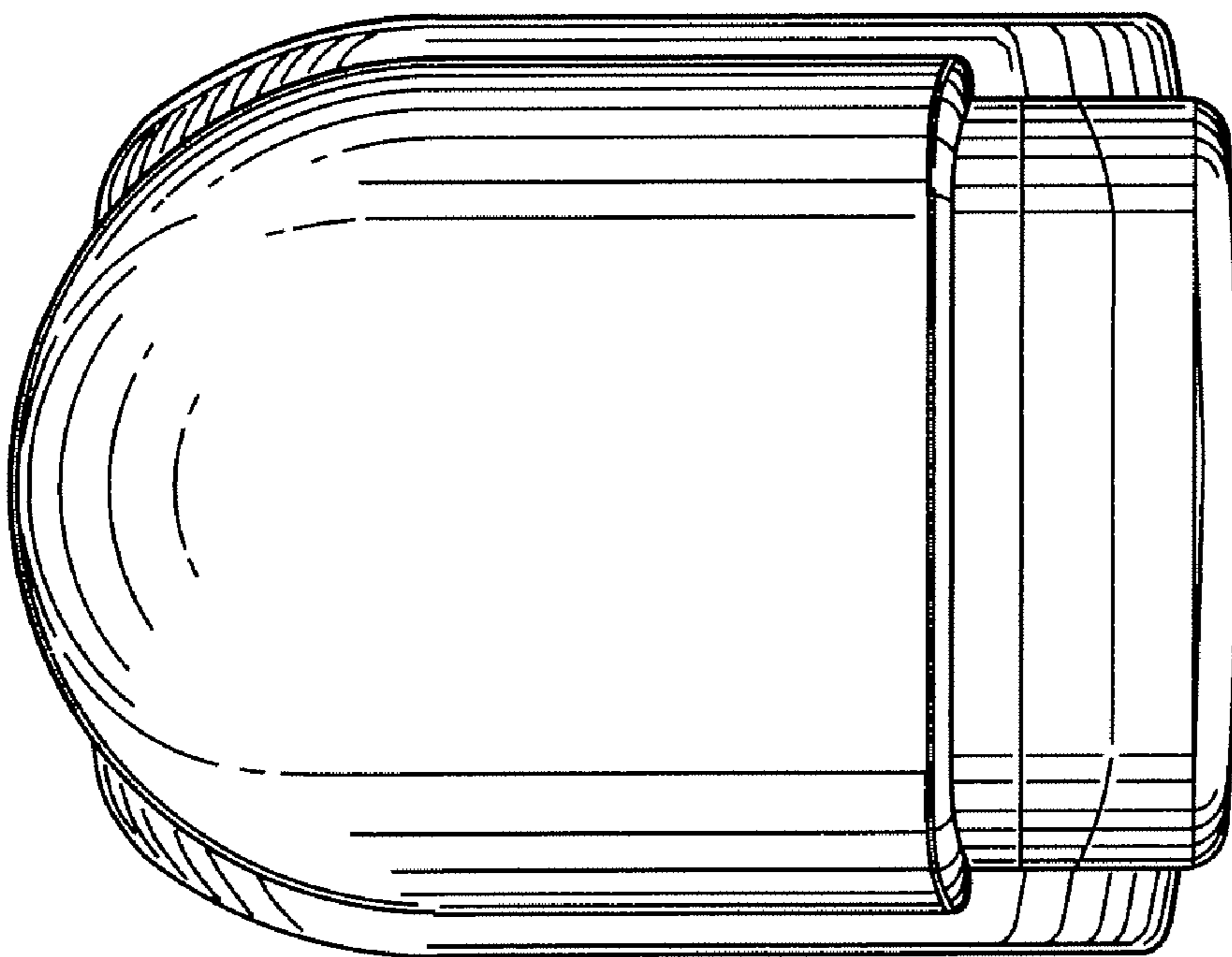


FIG. 5

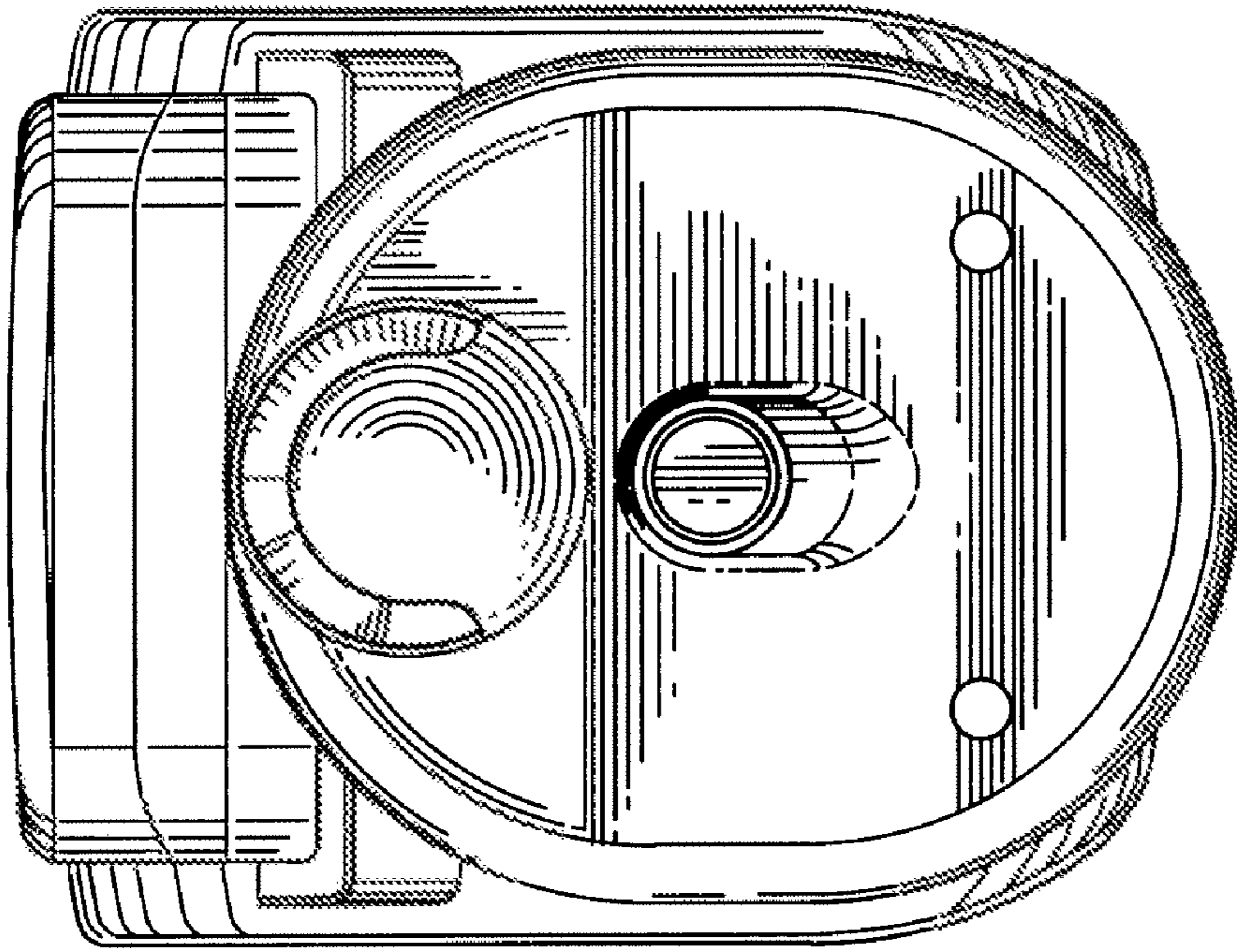


FIG. 6