



US00D575423S

(12) **United States Design Patent**  
**Yang**

(10) **Patent No.:** **US D575,423 S**

(45) **Date of Patent:** **\*\* Aug. 19, 2008**

(54) **AUTOMOTIVE LAMP**

D504,965 S \* 5/2005 Lin ..... D26/28

(76) Inventor: **Hsiu Pen Yang**, No. 427 Sec.2, Wenhua Road, Panchiao, Taipei (TW)

\* cited by examiner

*Primary Examiner*—Marcus A. Jackson

(\*\*) Term: **14 Years**

(57) **CLAIM**

(21) Appl. No.: **29/269,798**

I claim the ornamental design for the automotive lamp, as shown and described.

(22) Filed: **Dec. 8, 2006**

(51) **LOC (8) Cl.** ..... **26-06**

(52) **U.S. Cl.** ..... **D26/28**

(58) **Field of Classification Search** ..... D26/28-36;  
362/459-468, 475-478, 485-487

See application file for complete search history.

**DESCRIPTION**

FIG. 1 is a top plan view thereof;  
FIG. 2 is a left side elevational view thereof;  
FIG. 3 is a front elevational view thereof;  
FIG. 4 is a right side elevational view thereof; and,  
FIG. 5 is a bottom plan view.

The portion of the invention not shown in the drawings forms no part of the claimed design.

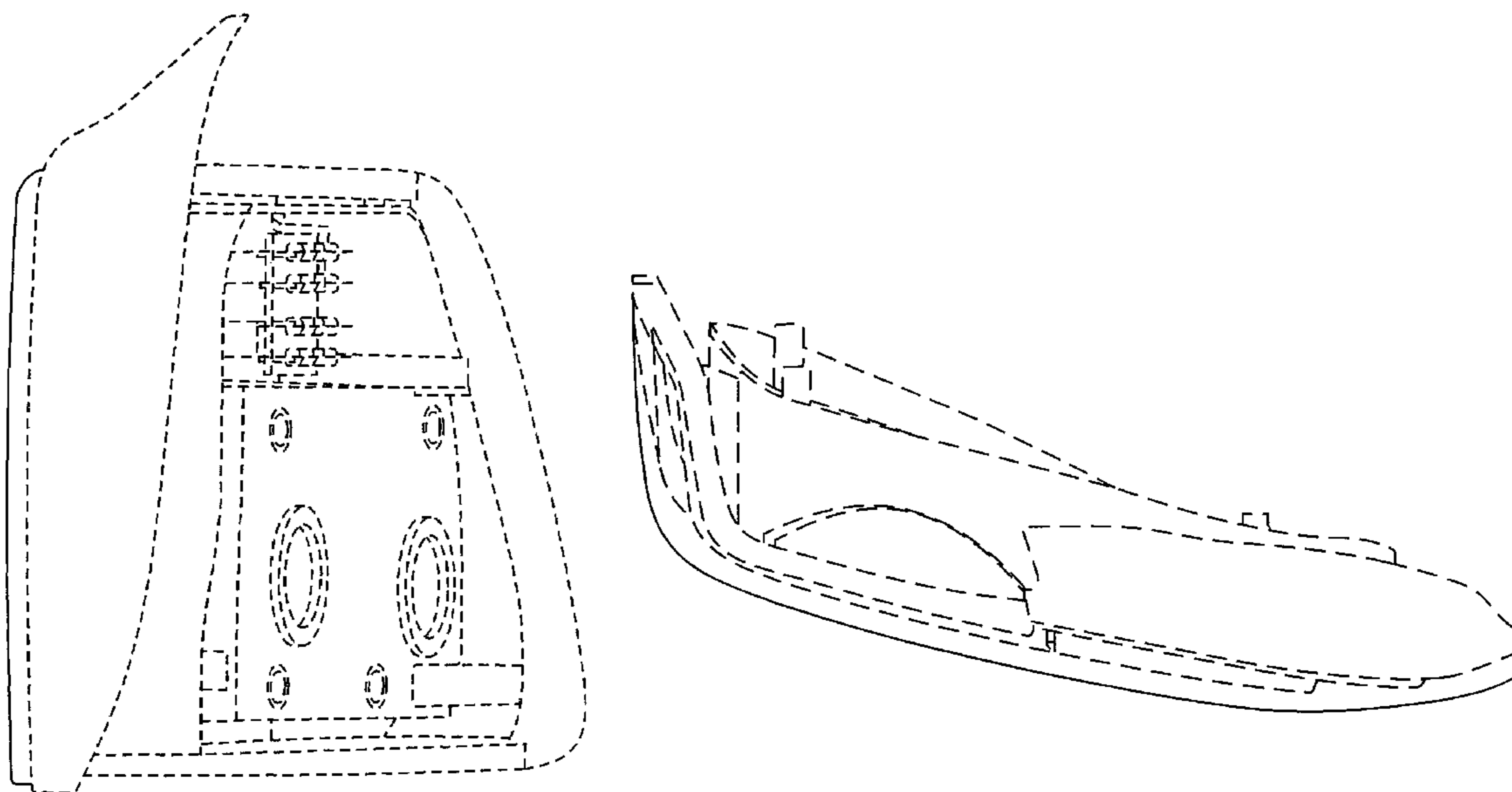
(56) **References Cited**

**U.S. PATENT DOCUMENTS**

D485,921 S \* 1/2004 Liao ..... D26/28

D490,916 S \* 6/2004 Pien ..... D26/28

**1 Claim, 4 Drawing Sheets**



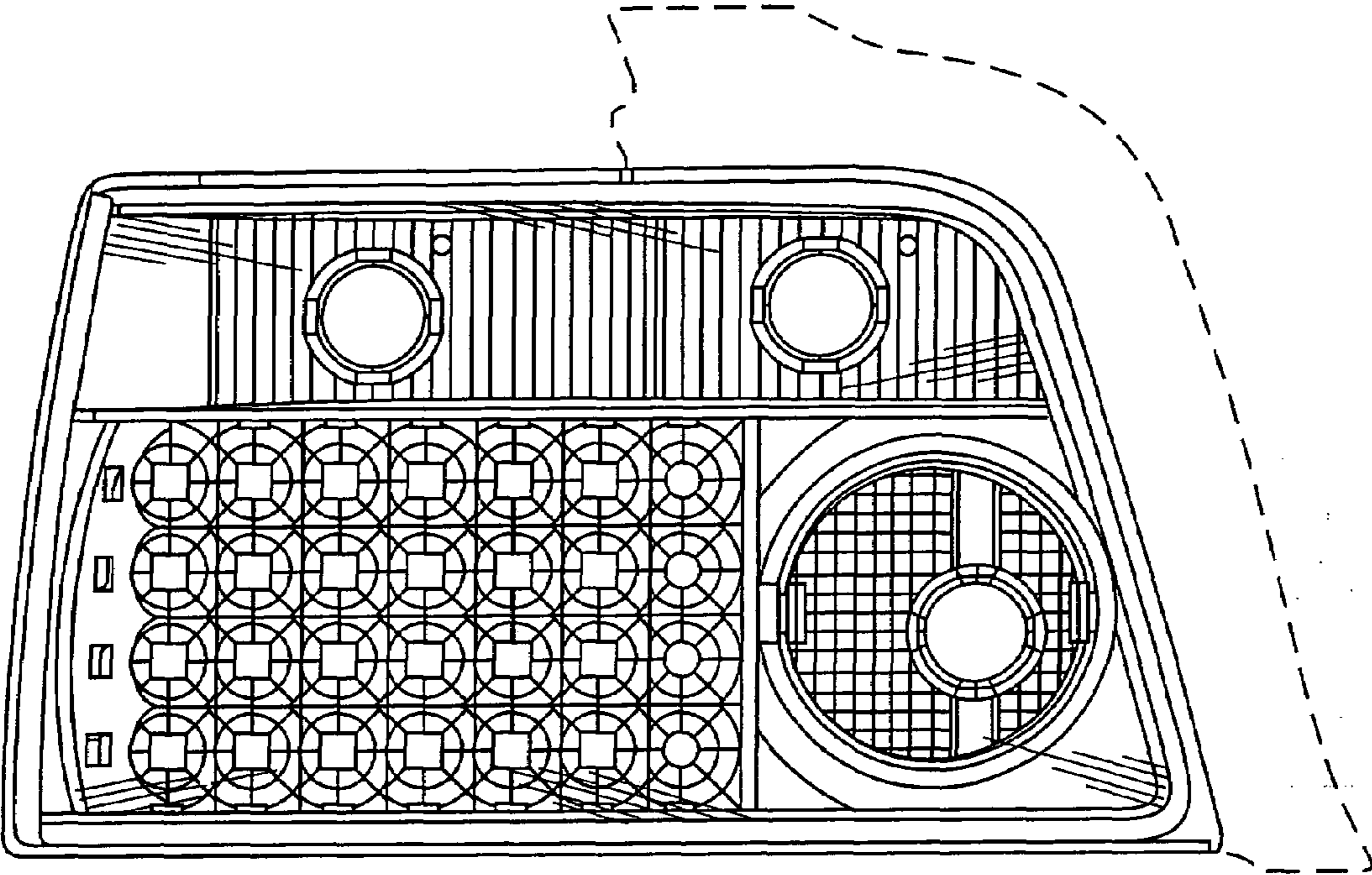


FIG. 1

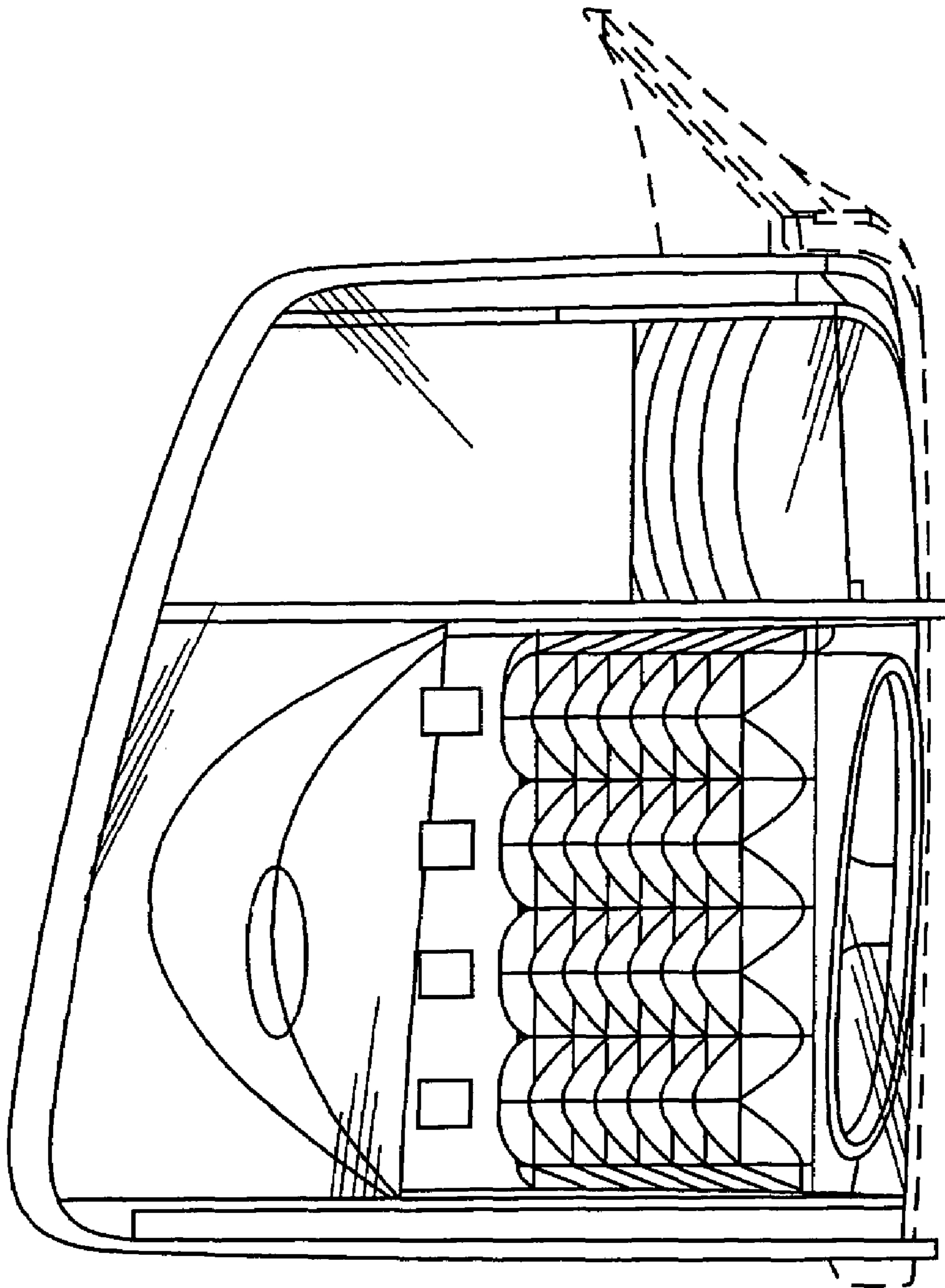


FIG. 2

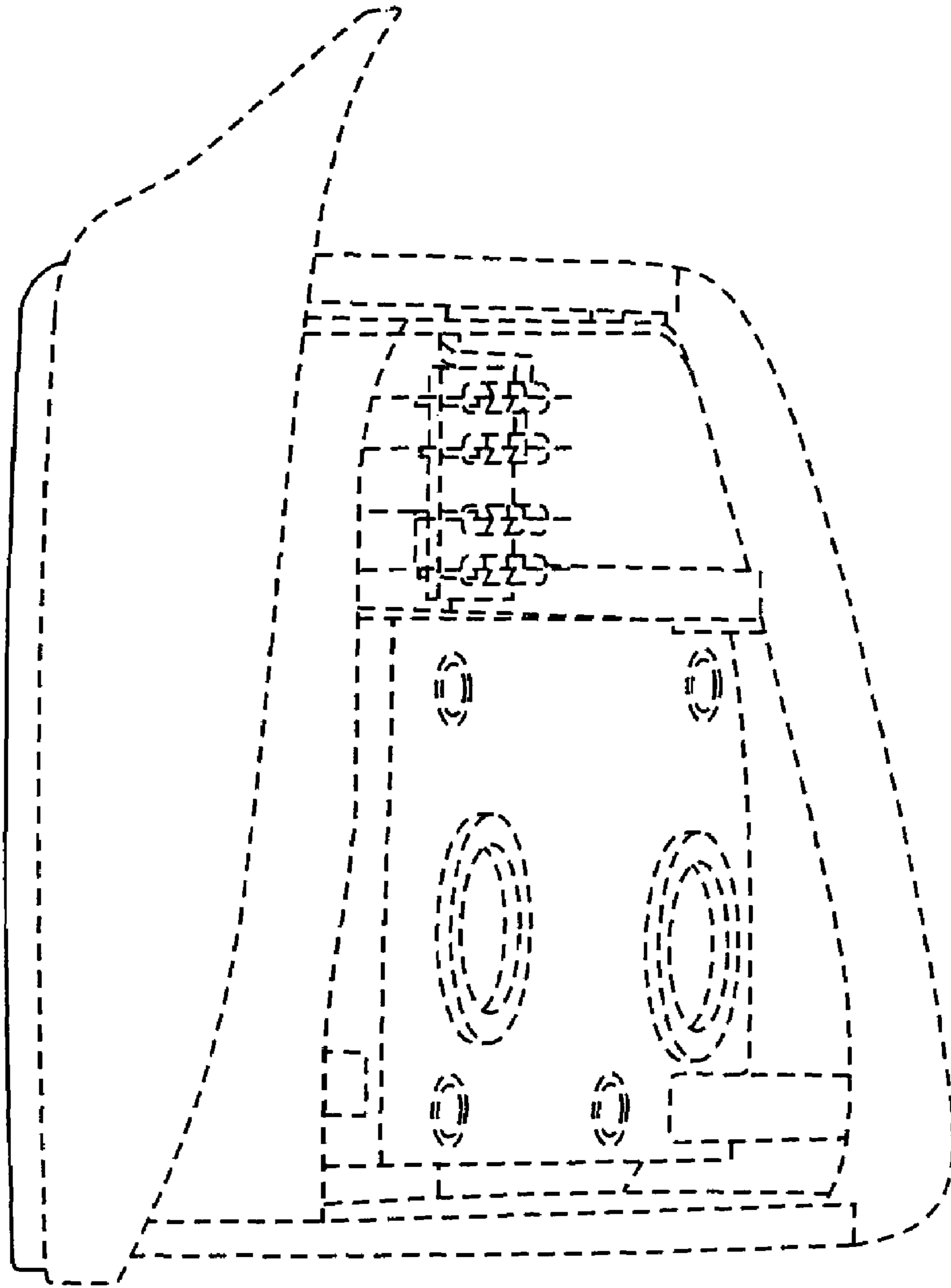


FIG. 3

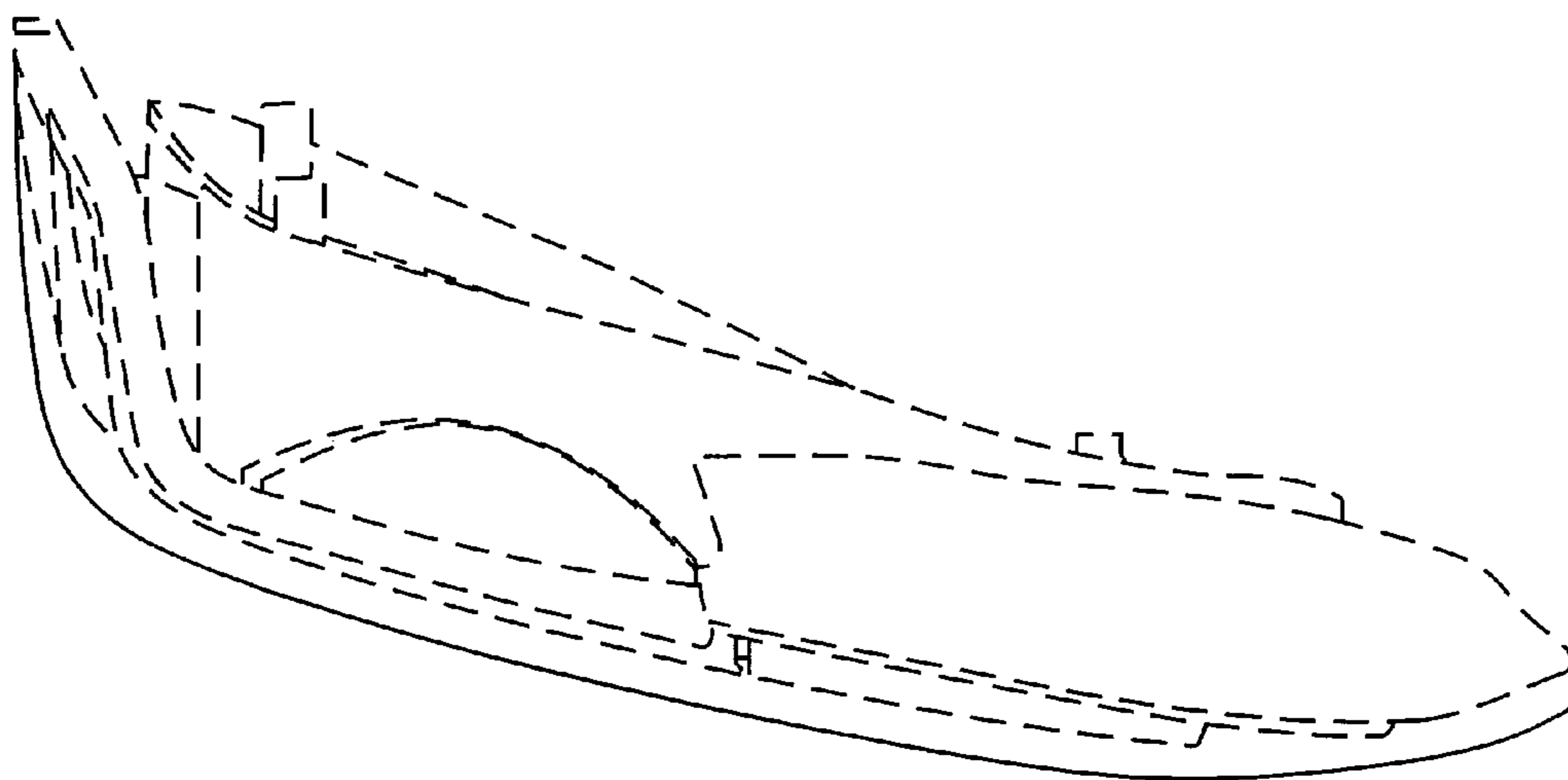


FIG. 4

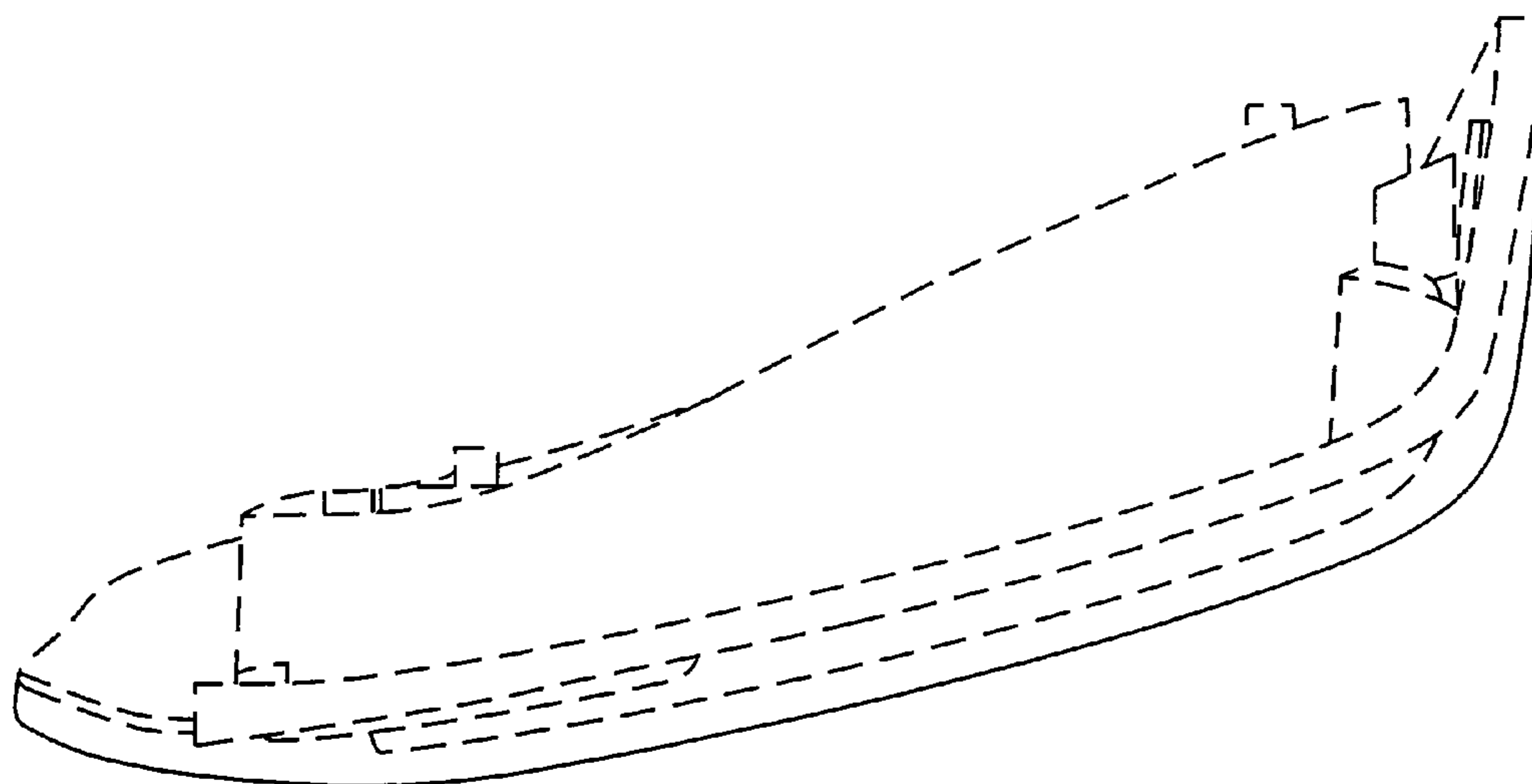


FIG. 5