

US00D575421S

(12) **United States Design Patent**
Cotterman et al.

(10) **Patent No.:** **US D575,421 S**
(45) **Date of Patent:** **** Aug. 19, 2008**

- (54) **DECORATIVE CANDLEHOLDER**
- (75) Inventors: **Jesse D. Cotterman**, West Bend, WI (US); **Paul E. Furner**, Racine, WI (US)
- (73) Assignee: **S.C. Johnson & Son, Inc.**, Racine, WI (US)

4,755,135 A	7/1988	Kwok
5,069,617 A	12/1991	Lin
D325,077 S	3/1992	Kearnes
5,174,645 A	12/1992	Chung
D362,179 S	9/1995	Kaplan
D372,797 S *	8/1996	Ilaria et al. D6/300
D393,910 S	4/1998	Chambers et al.
5,791,774 A	8/1998	Briles

(**) Term: **14 Years**

(Continued)

(21) Appl. No.: **29/262,827**

FOREIGN PATENT DOCUMENTS

(22) Filed: **Jul. 12, 2006**

WO WO 2004/083718 9/2004

Related U.S. Application Data

- (63) Continuation-in-part of application No. 29/242,572, filed on Nov. 10, 2005, which is a continuation-in-part of application No. 29/234,510, filed on Jul. 19, 2005, which is a continuation-in-part of application No. 11/123,461, filed on May 6, 2005, and a continuation-in-part of application No. 11/123,809, filed on May 6, 2005, now Pat. No. 7,287,978.

OTHER PUBLICATIONS

Musical Candle Company; printed Nov. 14, 2006 (7 pages); http://www.musicalcandlecompany.com/default.asp?p=Category&category_id=103.

Primary Examiner—Robert M. Spear
Assistant Examiner—Ania K Dworzecka

- (51) **LOC (8) Cl.** **26-01**
- (52) **U.S. Cl.** **D26/9**
- (58) **Field of Classification Search** D26/6–23;
431/288, 125, 126, 292, 289; D11/131, 131.1,
D11/157; D7/585; D6/300, 470; D8/353;
D25/55

(57) **CLAIM**

The ornamental design for a decorative candleholder, as shown and described.

See application file for complete search history.

DESCRIPTION

(56) **References Cited**

U.S. PATENT DOCUMENTS

- | | | | | |
|---------------|---------|--------------|-------|---------|
| D1,567 S * | 4/1862 | Cores | | D6/470 |
| D3,074 S * | 6/1868 | Howells | | D6/470 |
| 2,023,260 A * | 12/1935 | Beers et al. | | 312/114 |
| D175,585 S * | 9/1955 | Carlstead | | D26/10 |
| D181,755 S * | 12/1957 | Spertus | | D6/300 |
| 3,884,383 A | 5/1975 | Burch et al. | | |
| 3,890,085 A | 6/1975 | Andeweg | | |
| 3,994,502 A | 11/1976 | Lombardi | | |
| 4,102,634 A | 7/1978 | Crisp | | |
| D257,641 S | 12/1980 | Taylor | | |
| 4,524,408 A | 6/1985 | Minera | | |

FIG. 1 is an isometric view of a decorative candleholder according to the present invention;

FIG. 2 is a front elevational view of the decorative candleholder of FIG. 1;

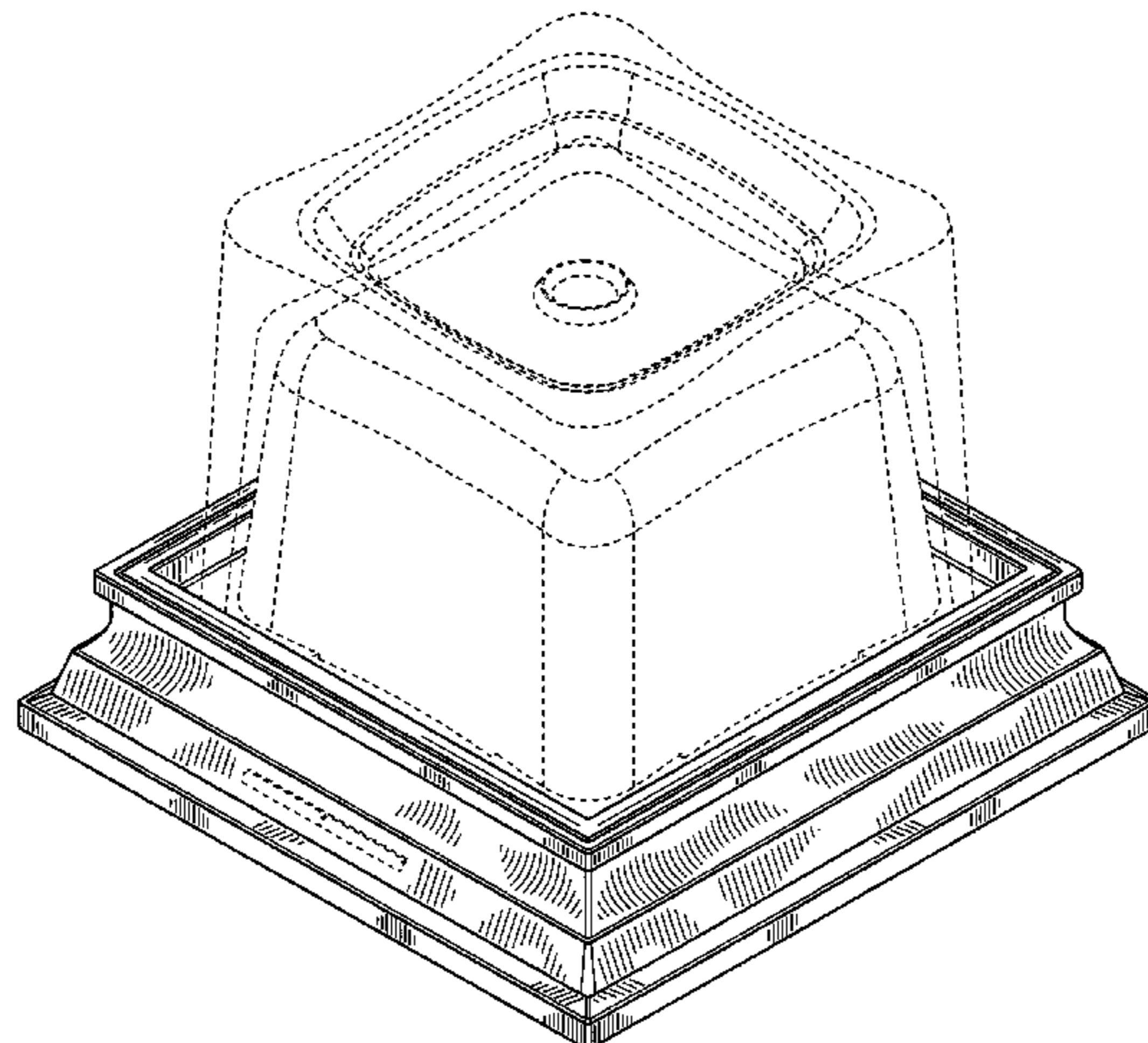
FIG. 3 is a right elevational view of the decorative candleholder of FIG. 1, the opposing left elevational view being a mirror image thereof;

FIG. 4 is a rear elevational view of the decorative candleholder of FIG. 1; and,

FIG. 5 is a top elevational view of the decorative candleholder of FIG. 1.

Structure shown in phantom forms no part of the claimed design.

1 Claim, 5 Drawing Sheets



US D575,421 S

Page 2

U.S. PATENT DOCUMENTS

5,807,096 A	9/1998	Shin et al.	6,695,611 B2	2/2004	Lee
5,921,767 A	7/1999	Song	6,719,443 B2	4/2004	Gutstein et al.
6,033,209 A	3/2000	Shin et al.	6,733,279 B2	5/2004	Thigpen et al.
6,050,812 A	4/2000	Chuang	D495,438 S	8/2004	Barbera et al.
6,152,728 A	11/2000	Griffel	6,802,707 B2	10/2004	Furner et al.
D443,081 S	5/2001	Klett et al.	6,960,076 B2	11/2005	Yu
6,241,362 B1	6/2001	Morrison	D519,216 S *	4/2006	Sandor D25/103
6,371,756 B1	4/2002	Toohey	2002/0119413 A1	8/2002	Cheng
6,439,471 B2	8/2002	Ehrlich et al.	2005/0208447 A1	9/2005	Kubicek et al.
D469,893 S	2/2003	Shen	2005/0271994 A1	12/2005	Furner
D474,854 S	5/2003	Lam	2006/0002102 A1	1/2006	Leonard
6,575,613 B2	6/2003	Brown et al.	2006/0120080 A1	6/2006	Sipinski et al.
D484,365 S	12/2003	Wyche	2007/0020572 A1 *	1/2007	Furner et al. 431/289
			2007/0020573 A1 *	1/2007	Furner et al. 431/289

* cited by examiner

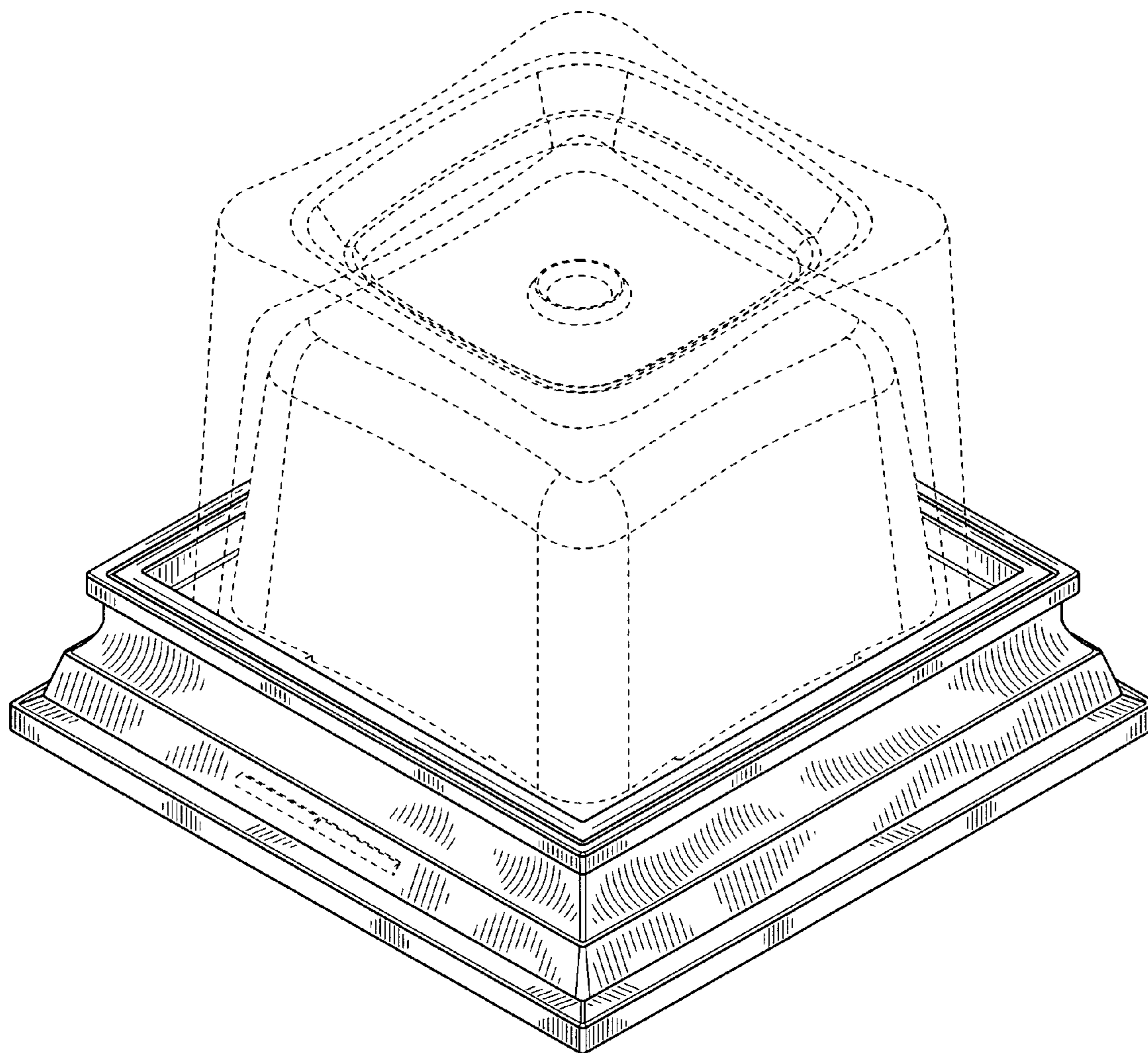


FIG. 1

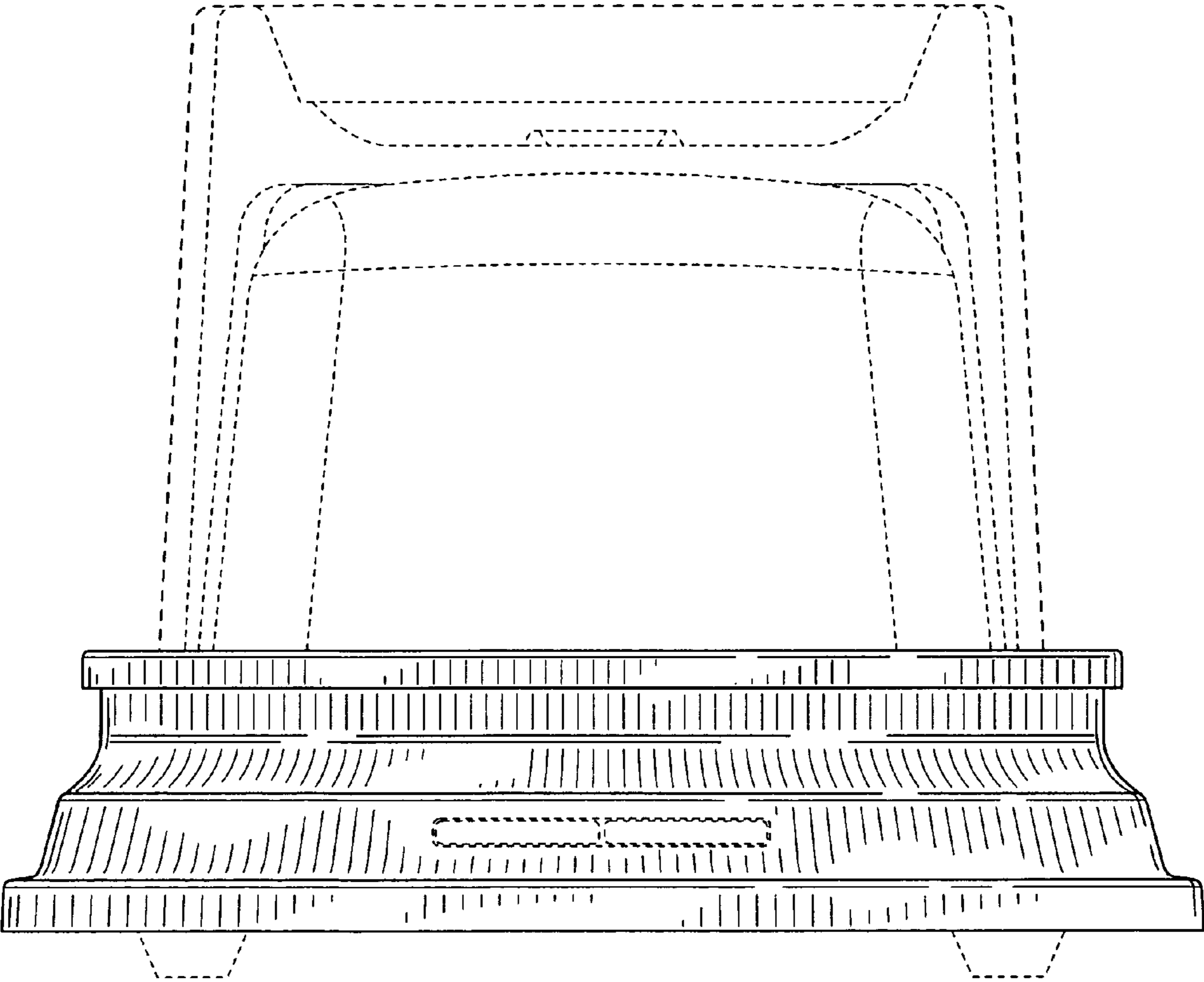


FIG. 2

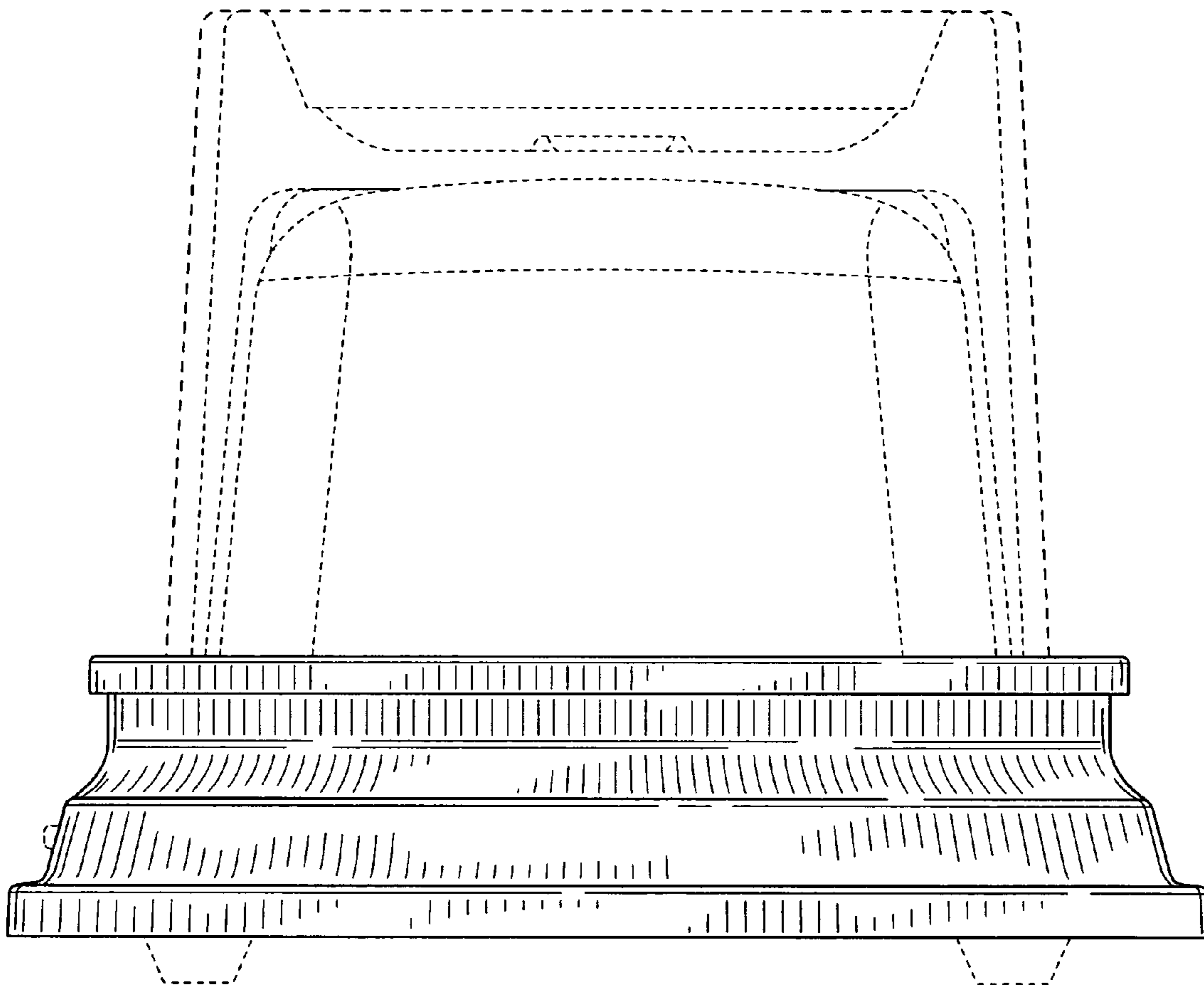


FIG. 3

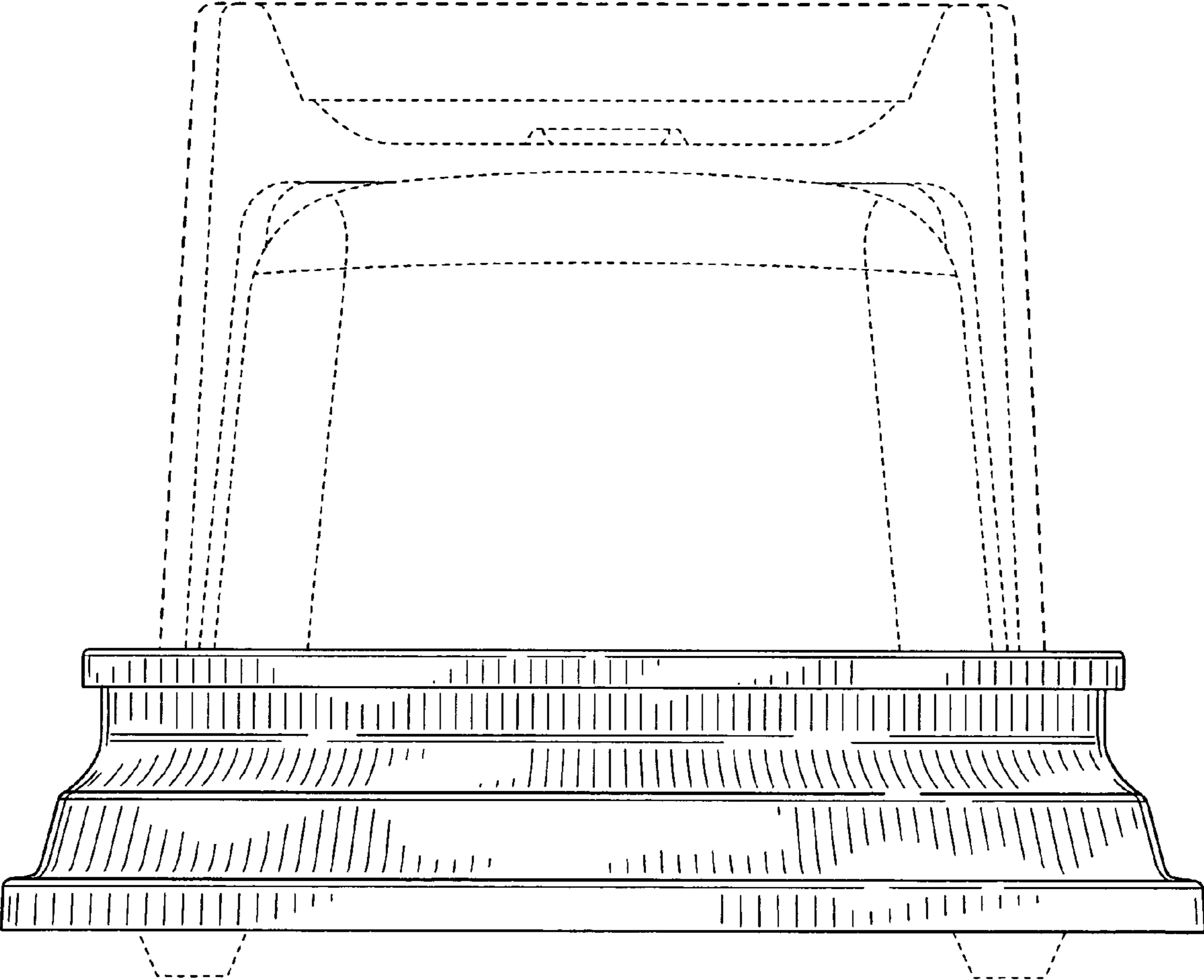


FIG. 4

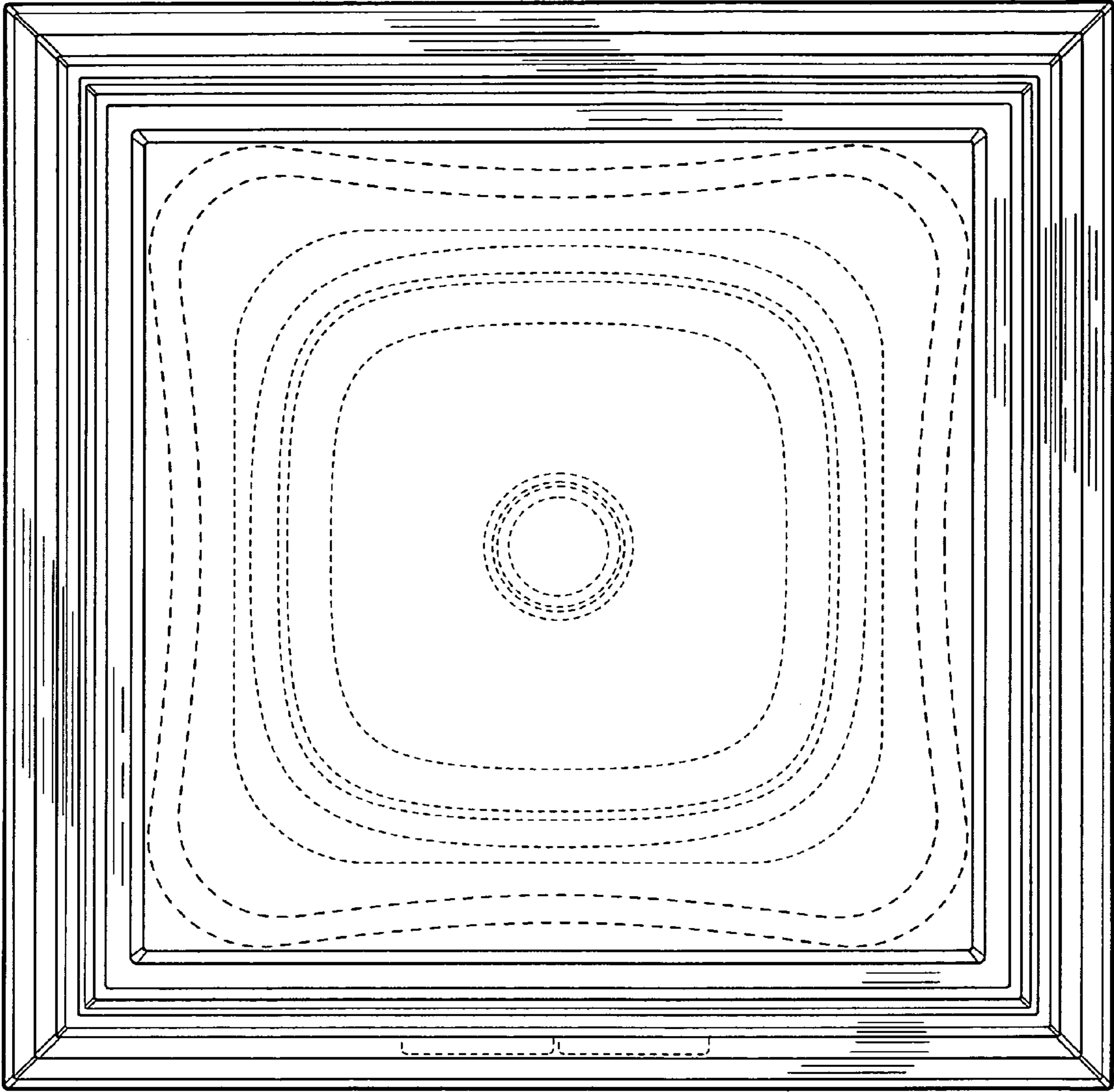


FIG. 5