



US00D575414S

(12) **United States Design Patent**
Salerno

(10) **Patent No.:** **US D575,414 S**

(45) **Date of Patent:** **** Aug. 19, 2008**

(54) **REVETMENT BLOCK**

GB 2139676 A 11/1984

(75) Inventor: **Joseph V. Salerno**, Mason, OH (US)

(73) Assignee: **Armortec Inc.**, West Chester, OH (US)

(**) Term: **14 Years**

(21) Appl. No.: **29/280,952**

(22) Filed: **Jun. 11, 2007**

(51) **LOC (8) Cl.** **25-01**

(52) **U.S. Cl.** **D25/118**

(58) **Field of Classification Search** D25/102-118,
D25/164; D21/484, 500, 501; 405/16, 284,
405/286; 404/27-30, 34, 37-42; 52/102,
52/574-576, 596-599, 600-602, 603-605,
52/606-609

See application file for complete search history.

(56) **References Cited**

U.S. PATENT DOCUMENTS

3,386,252 A	6/1968	Nelson	
4,227,829 A	10/1980	Landry, Jr.	
4,370,075 A *	1/1983	Scales	405/20
4,375,928 A	3/1983	Crow et al.	
4,477,206 A	10/1984	Papetti et al.	
4,564,311 A *	1/1986	Scales	405/20
4,683,156 A	7/1987	Waters	
4,781,492 A	11/1988	Shindo	
5,040,350 A	8/1991	Panther	
5,108,222 A	4/1992	Jansson et al.	
5,160,215 A	11/1992	Jenson	

(Continued)

FOREIGN PATENT DOCUMENTS

EP 0152.232 A2 8/1985

OTHER PUBLICATIONS

Webpage, Submar, inc., www.submar.com/pat_tech.html, disclosing permanent mat anchoring system to concrete blocks, 1 pg.
Offshore Rescue, by Jonathan French, et al., "Civil Engineering", Jul. 1994 as posted on the Armortec.com website.
Key to Road Alignment, author unknown, "California Builder & Engineer (CB&E)", Jan. 16, 1995.
Armortec Experiences with Embankment Dam Overtopping Protection; Powledge, et al., Hydro-Review, Feb. 1994.

Primary Examiner—Louis S Zarfaz

Assistant Examiner—Anhdao Doan

(74) *Attorney, Agent, or Firm*—Thompson Hine LLP

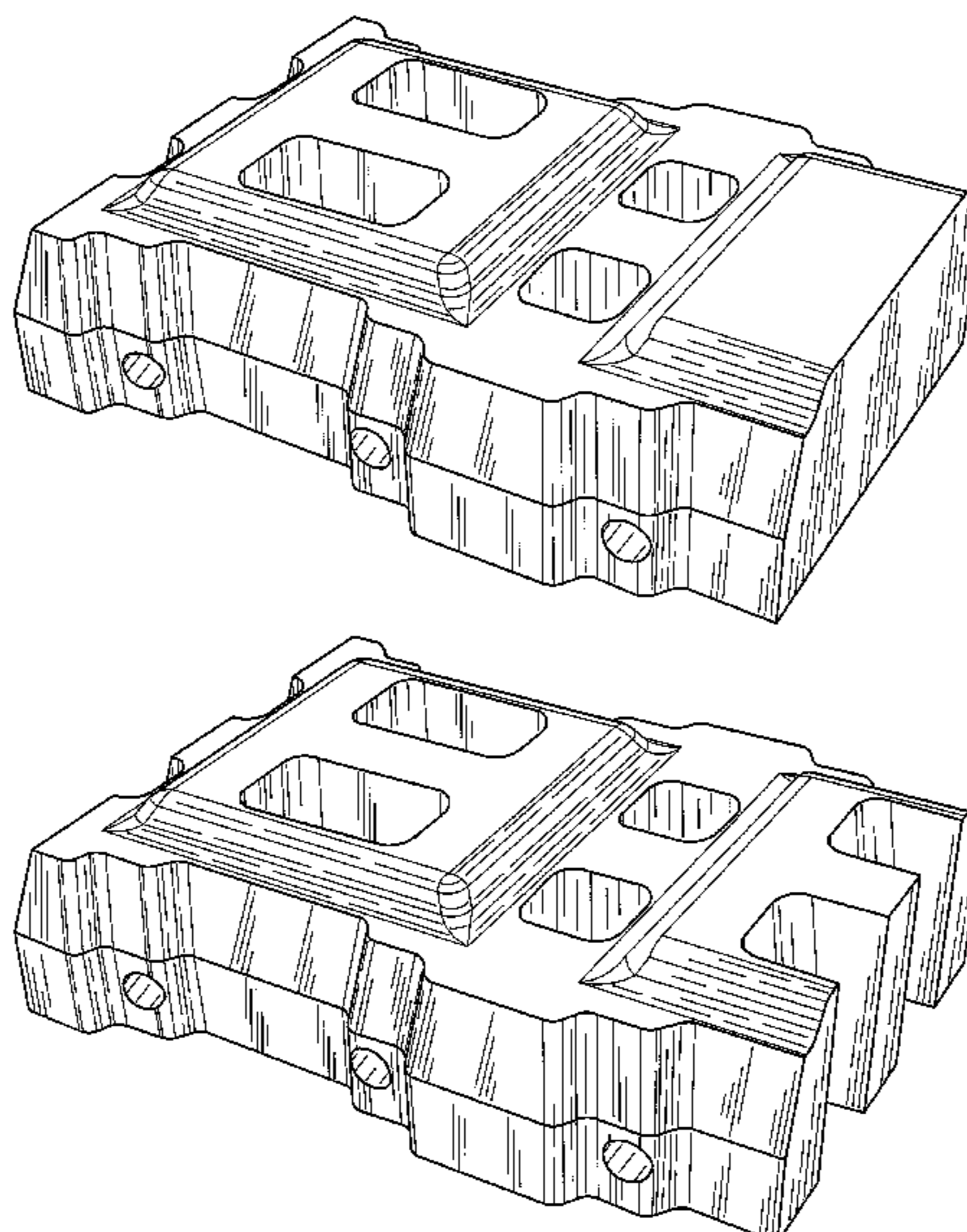
(57) **CLAIM**

The ornamental design for a revetment block, as shown and described.

DESCRIPTION

FIG. 1 is a perspective view of a revetment block;
FIG. 2 is a top view of the revetment block of FIG. 1;
FIG. 3 is a side view of the revetment block of FIG. 1;
FIG. 4 is another side view of the revetment block of FIG. 1;
FIG. 5 is an end view of the revetment block of FIG. 1;
FIG. 6 is another end view of the revetment block of FIG. 1;
FIG. 7 is a bottom view of the revetment block of FIG. 1;
FIG. 8 is a perspective view of a revetment block;
FIG. 9 is a top view of the revetment block of FIG. 8;
FIG. 10 is a side view of the revetment block of FIG. 8;
FIG. 11 is another side view of the revetment block of FIG. 8;
FIG. 12 is an end view of the revetment block of FIG. 8;
FIG. 13 is another end view of the revetment block of FIG. 8;
and,
FIG. 14 is a bottom view of the revetment block of FIG. 8.

1 Claim, 10 Drawing Sheets



US D575,414 S

Page 2

U.S. PATENT DOCUMENTS

5,443,329 A	8/1995	de Geeter	5,971,658 A	10/1999	Pramono et al.
5,484,230 A	1/1996	Rudloff	5,975,796 A	11/1999	Angel et al.
5,632,571 A	5/1997	Mattox	5,988,942 A	11/1999	Atkinson
5,722,795 A	3/1998	Angel et al.	6,027,285 A	2/2000	Angel et al.
5,775,838 A	7/1998	Pettee, Sr.	6,106,194 A	8/2000	Angel et al.
5,779,391 A *	7/1998	Knight 405/20	6,416,253 B1	7/2002	Wimp et al.
D399,577 S *	10/1998	Scales D25/115	D463,041 S *	9/2002	Dice et al. D25/118
5,846,023 A	12/1998	Angel et al.	6,579,038 B1 *	6/2003	McAllister et al. 405/16
5,906,456 A	5/1999	Knight	D482,800 S *	11/2003	Dice et al. D25/115
5,911,539 A	6/1999	Egan et al.	D482,801 S *	11/2003	Dice et al. D25/115
5,921,710 A	7/1999	Scales	D504,957 S *	5/2005	Dice et al. D25/118
5,944,449 A	8/1999	Angel et al.	D516,735 S *	3/2006	Kees et al. D25/115

* cited by examiner

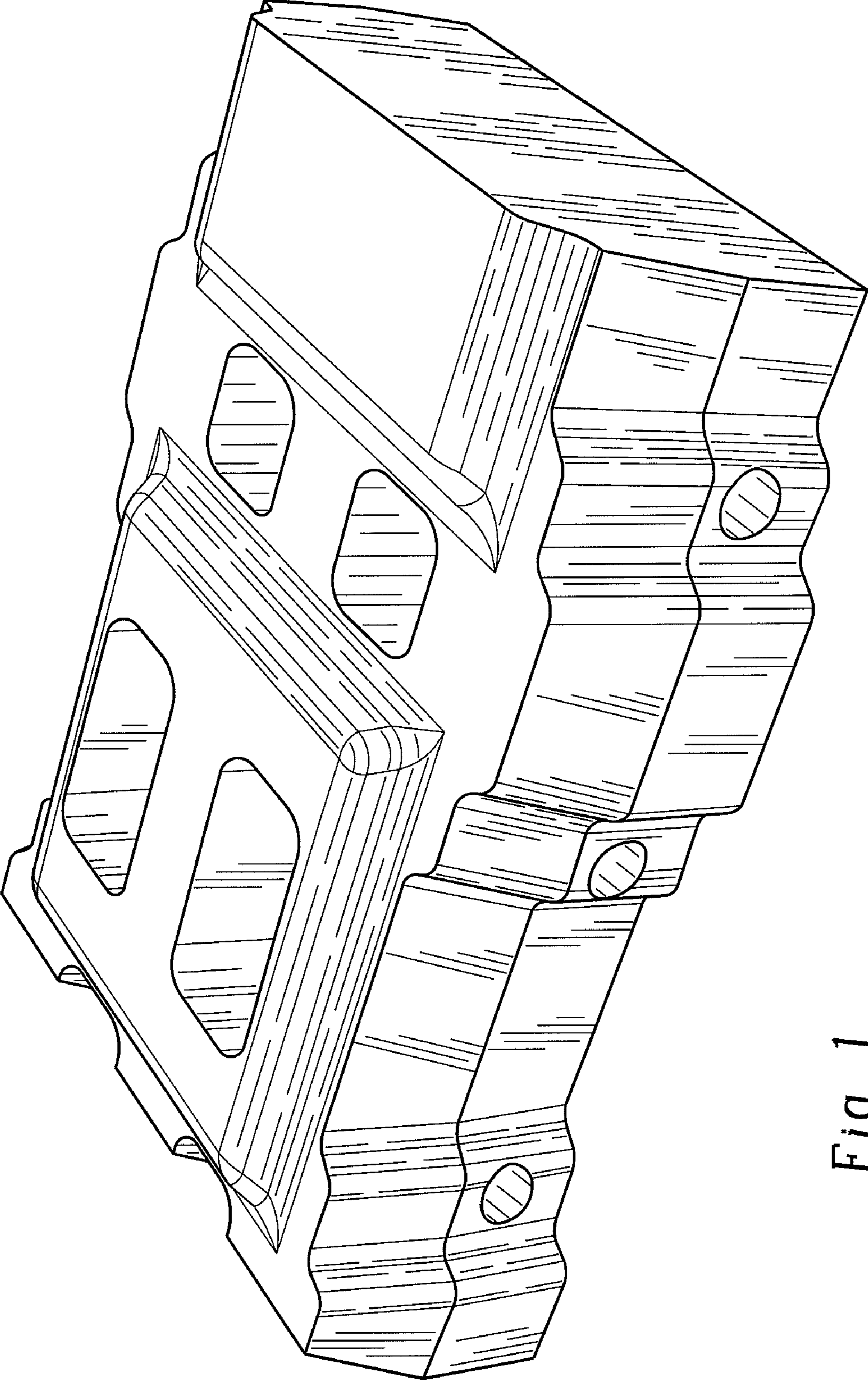


Fig. 1

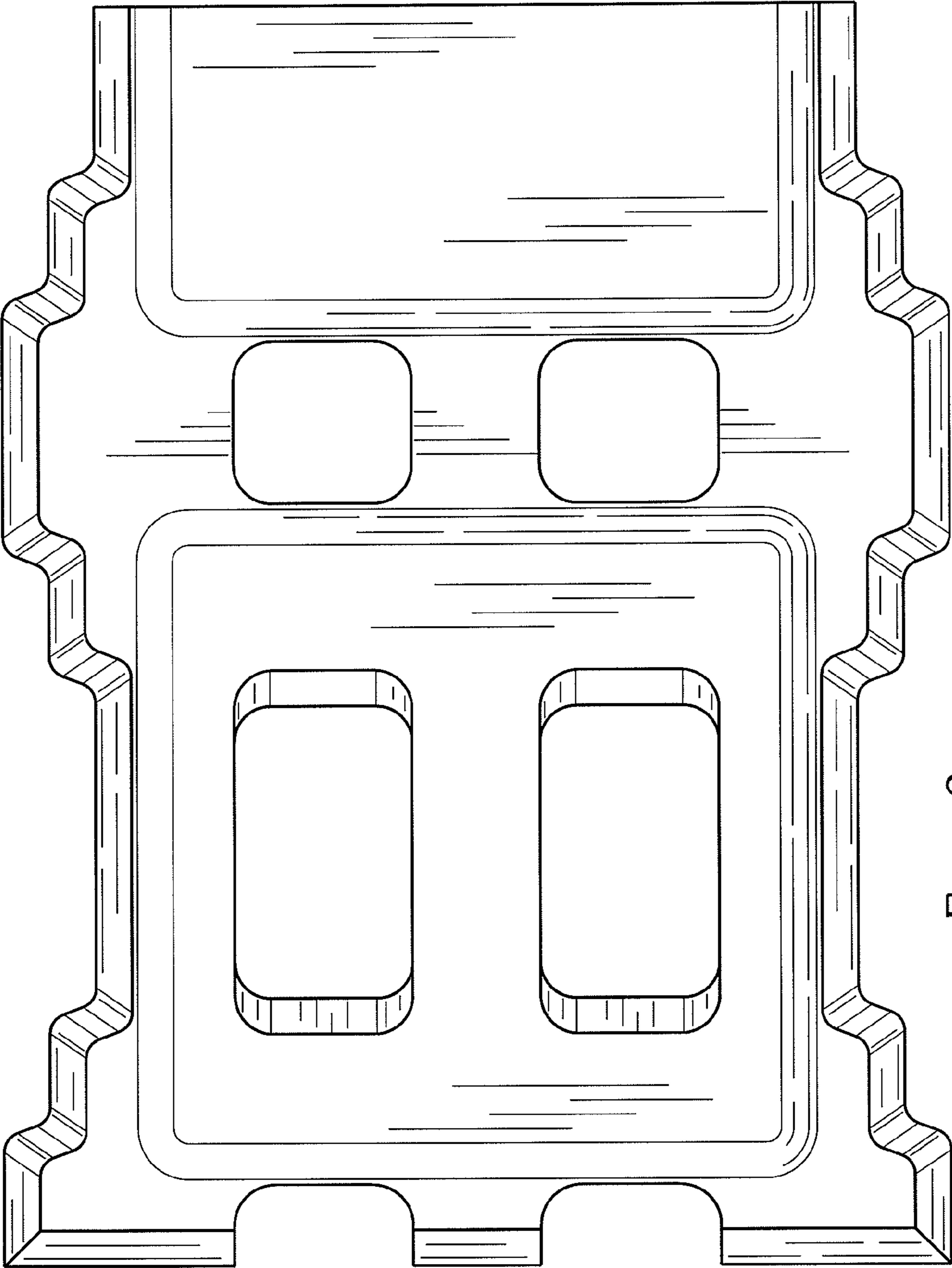


Fig. 2

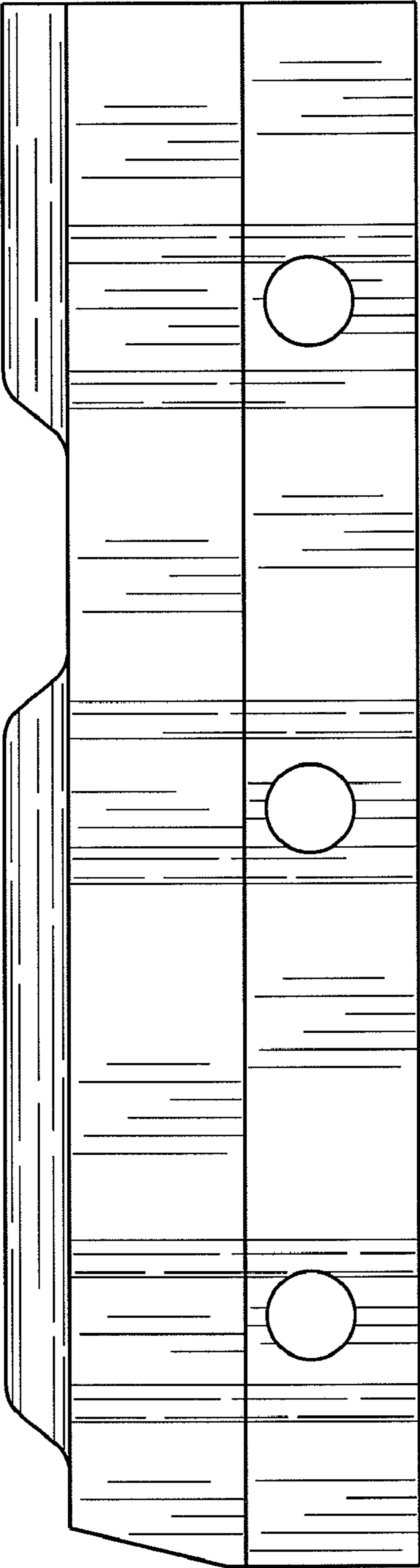


Fig. 3

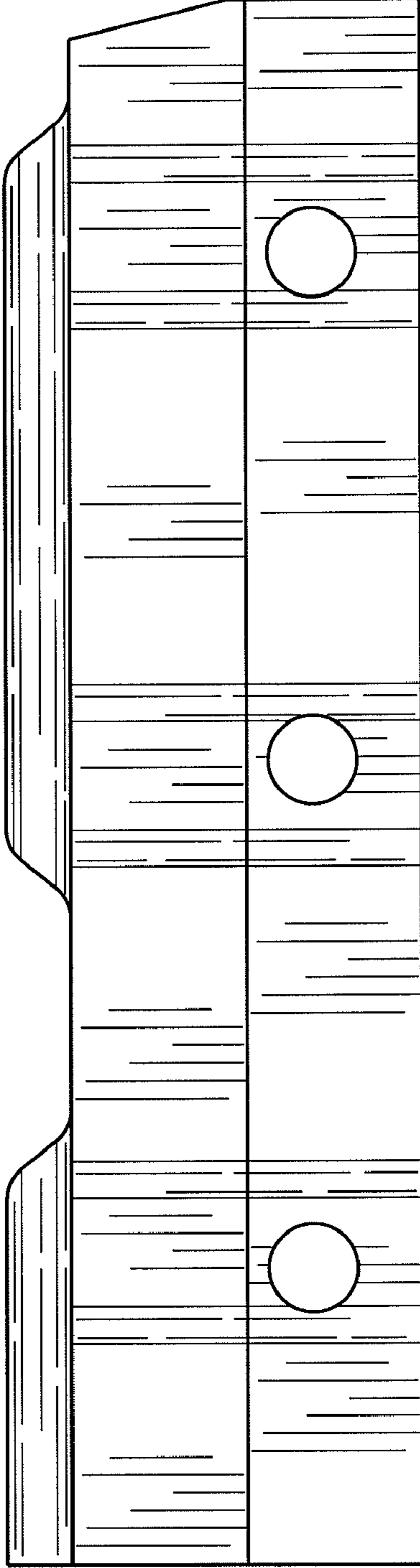


Fig. 4

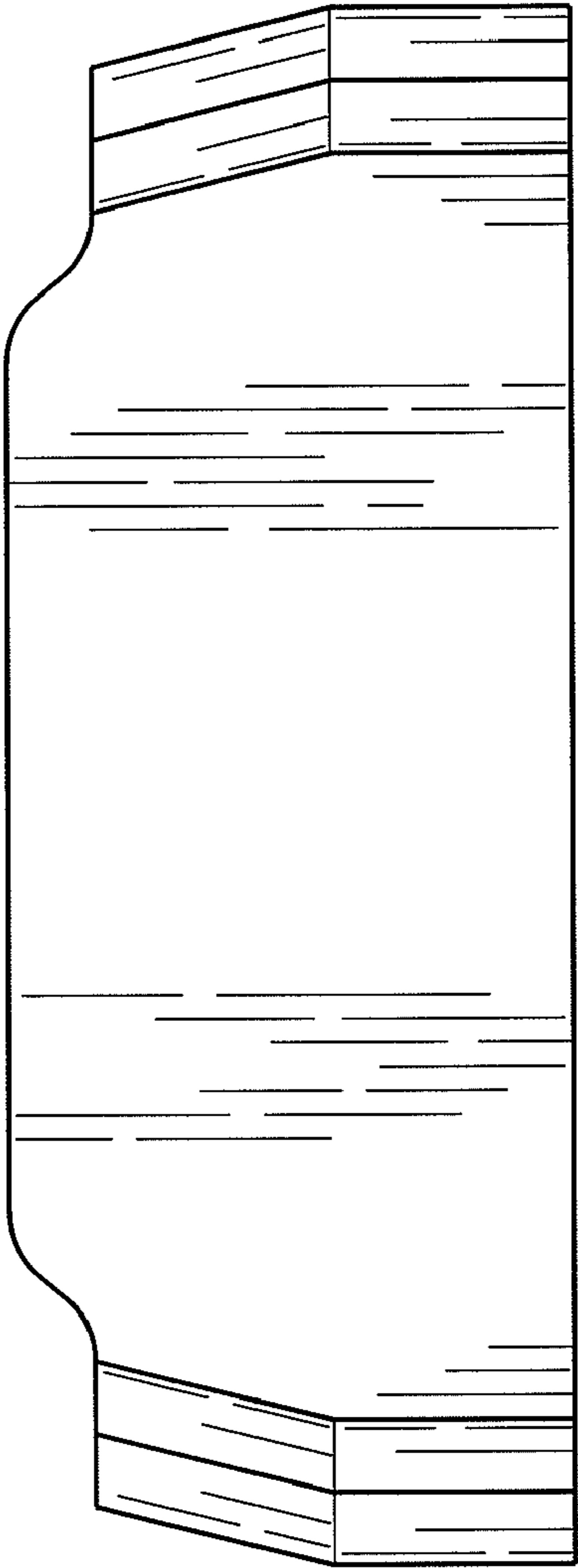


Fig. 5

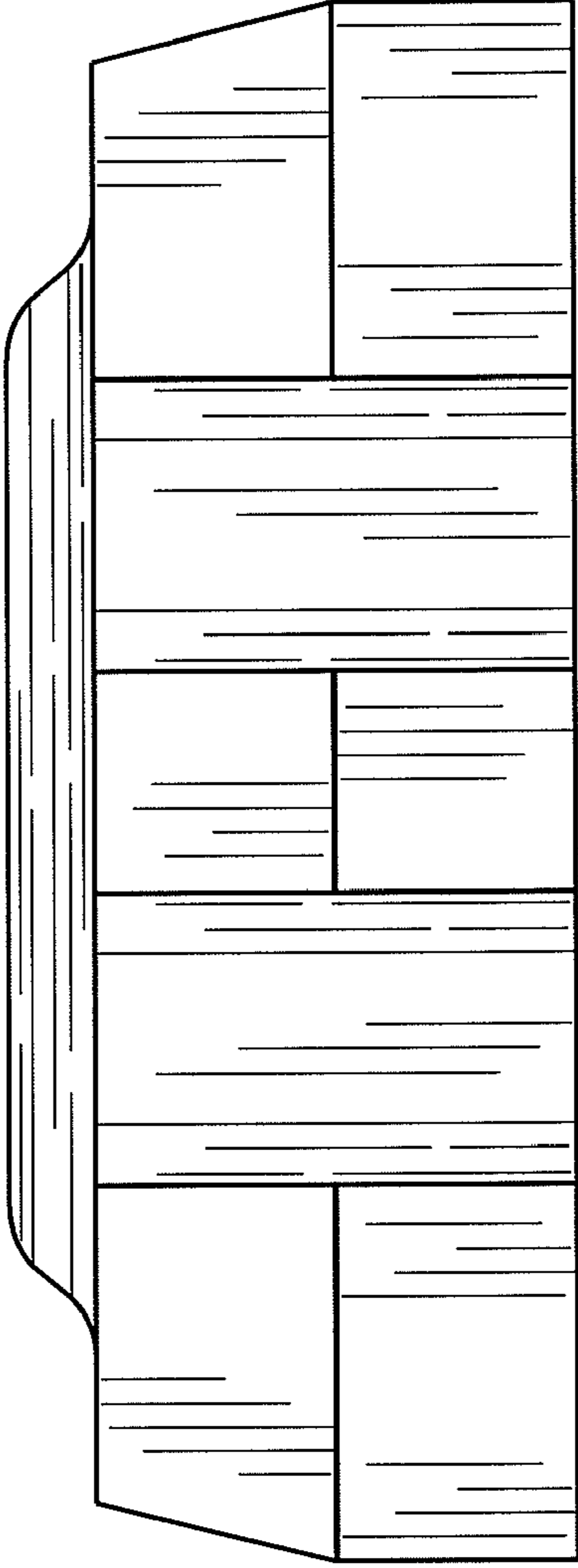


Fig. 6

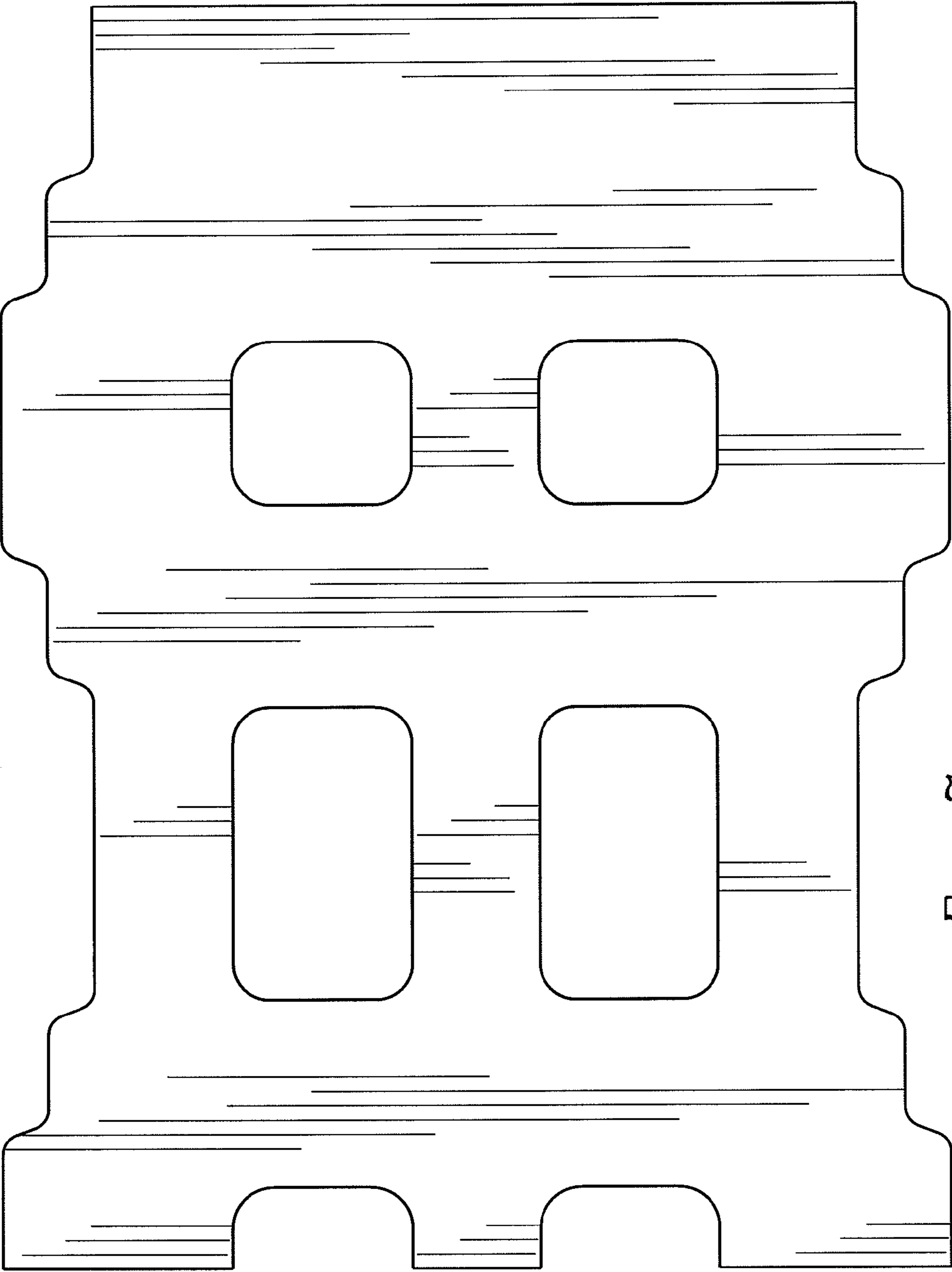


Fig. 7

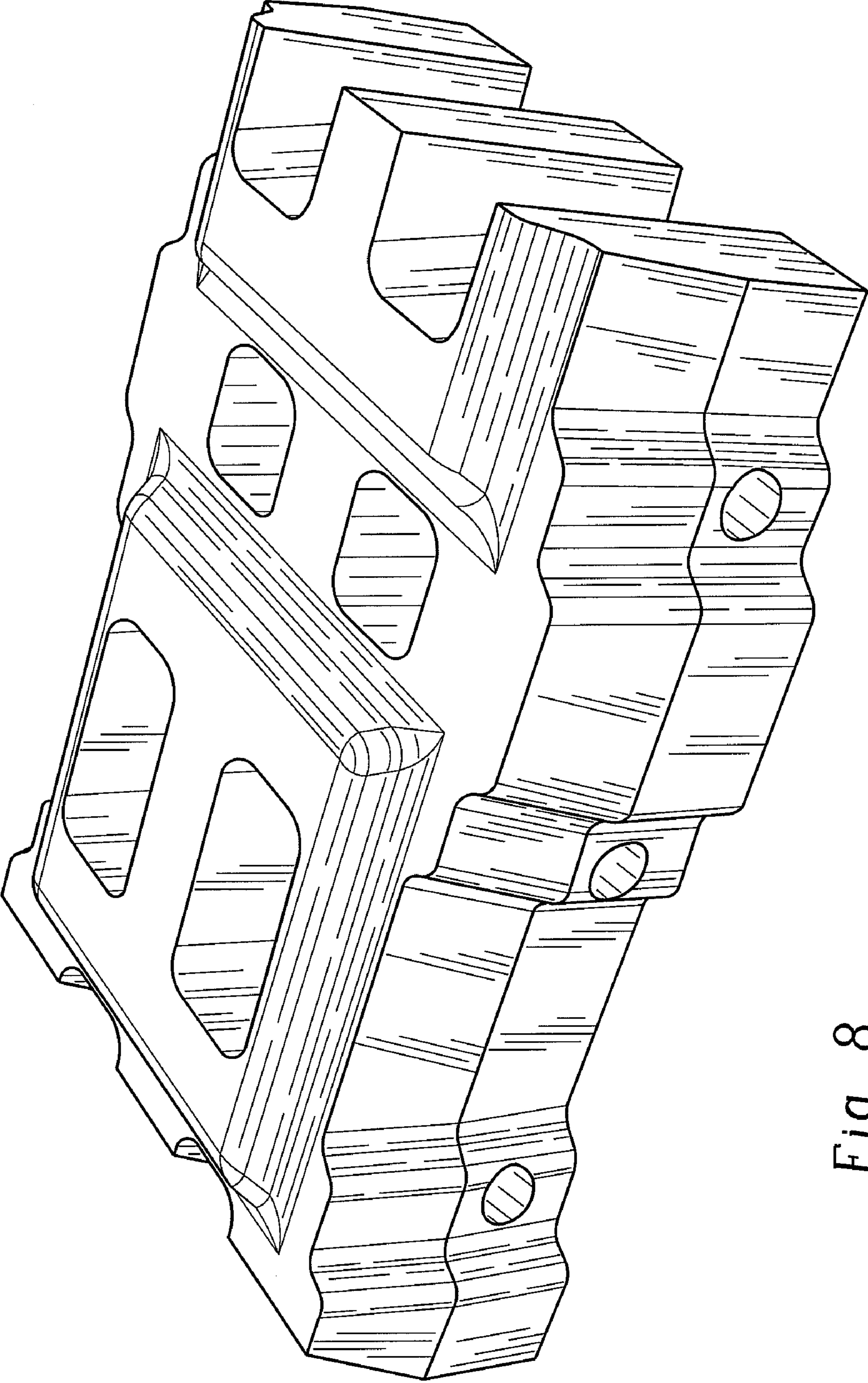


Fig. 8

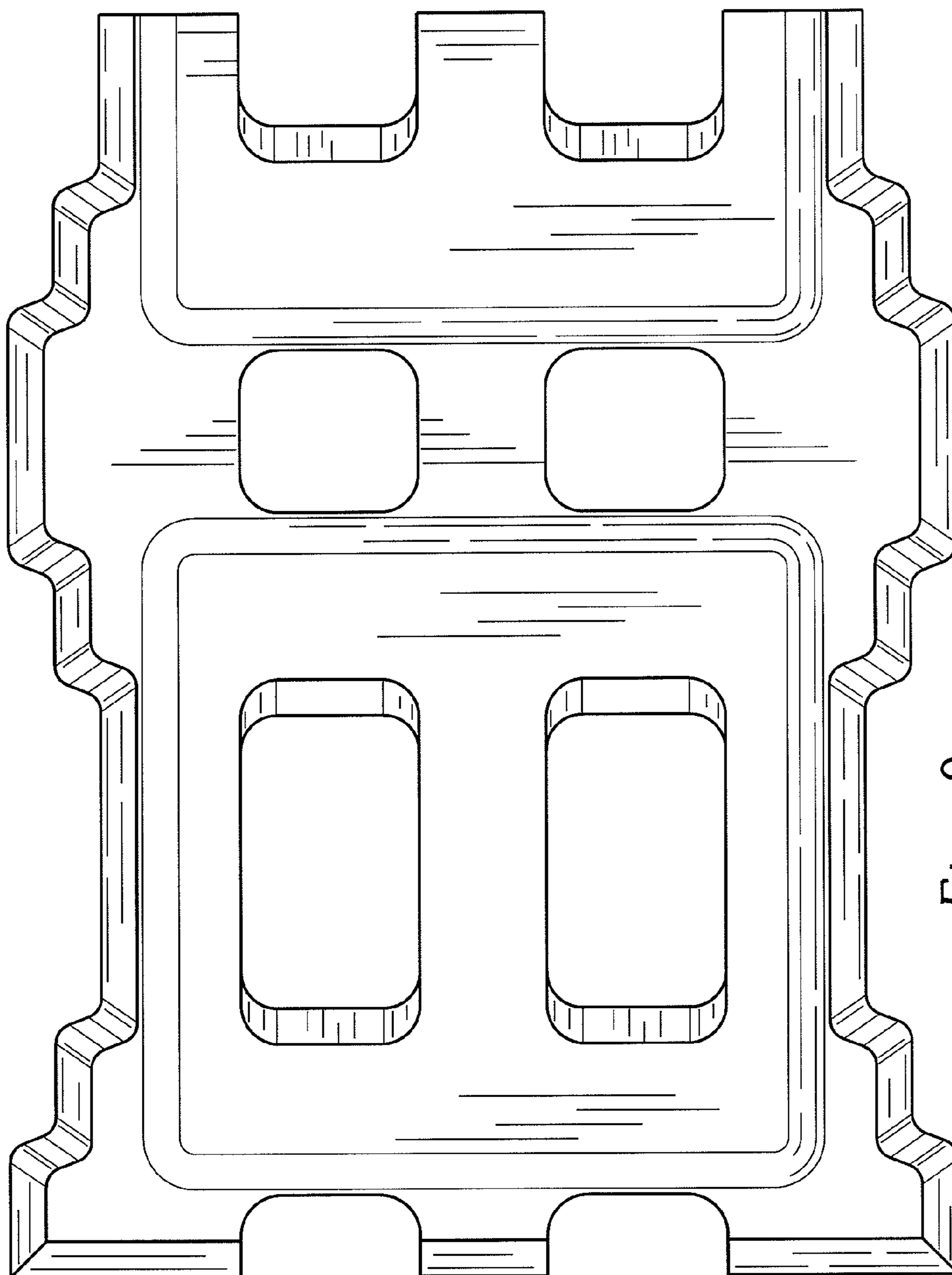


Fig. 9

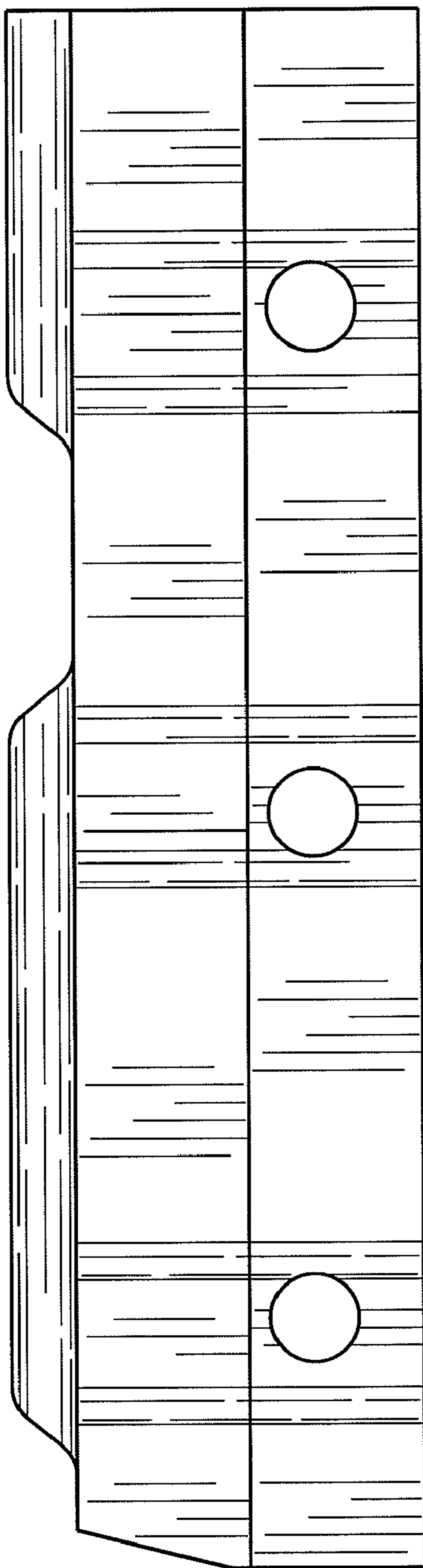


Fig. 10

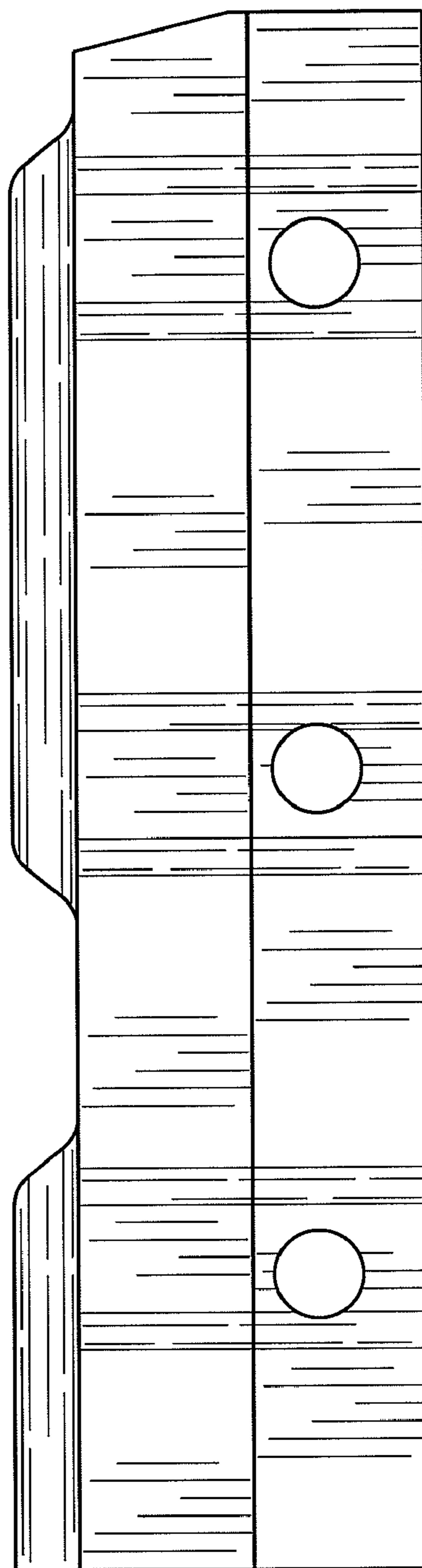


Fig. 11

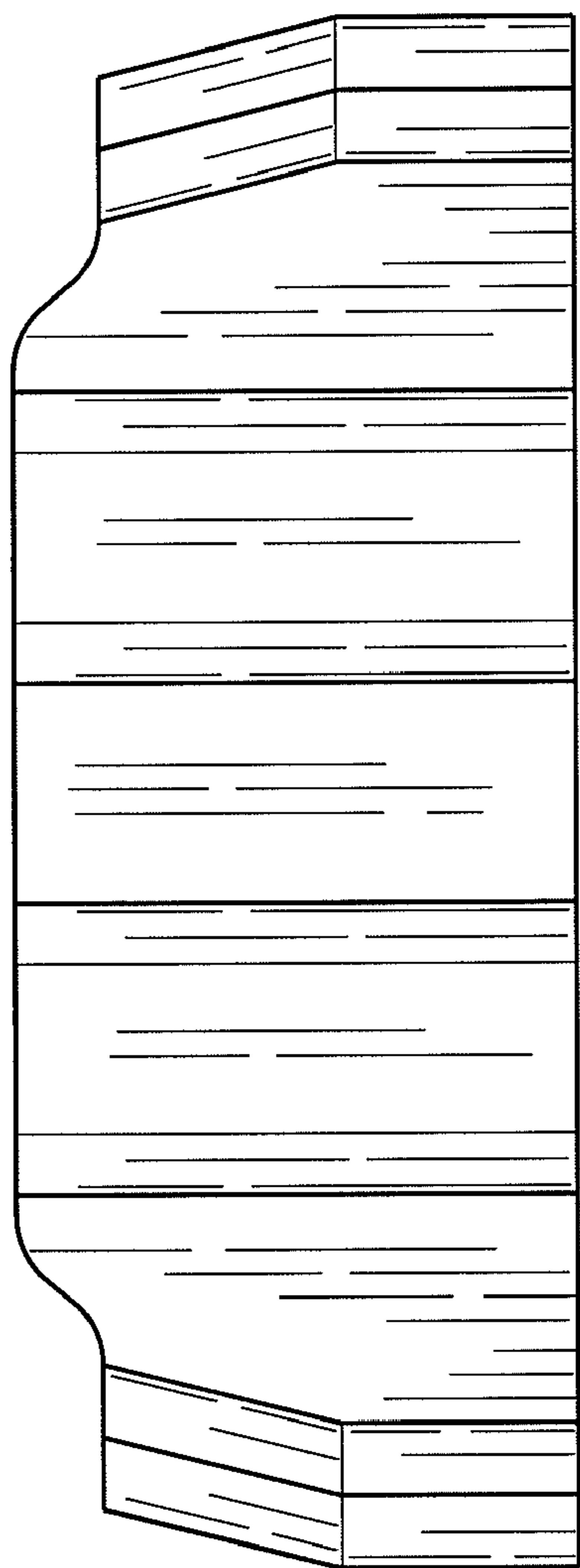


Fig. 12

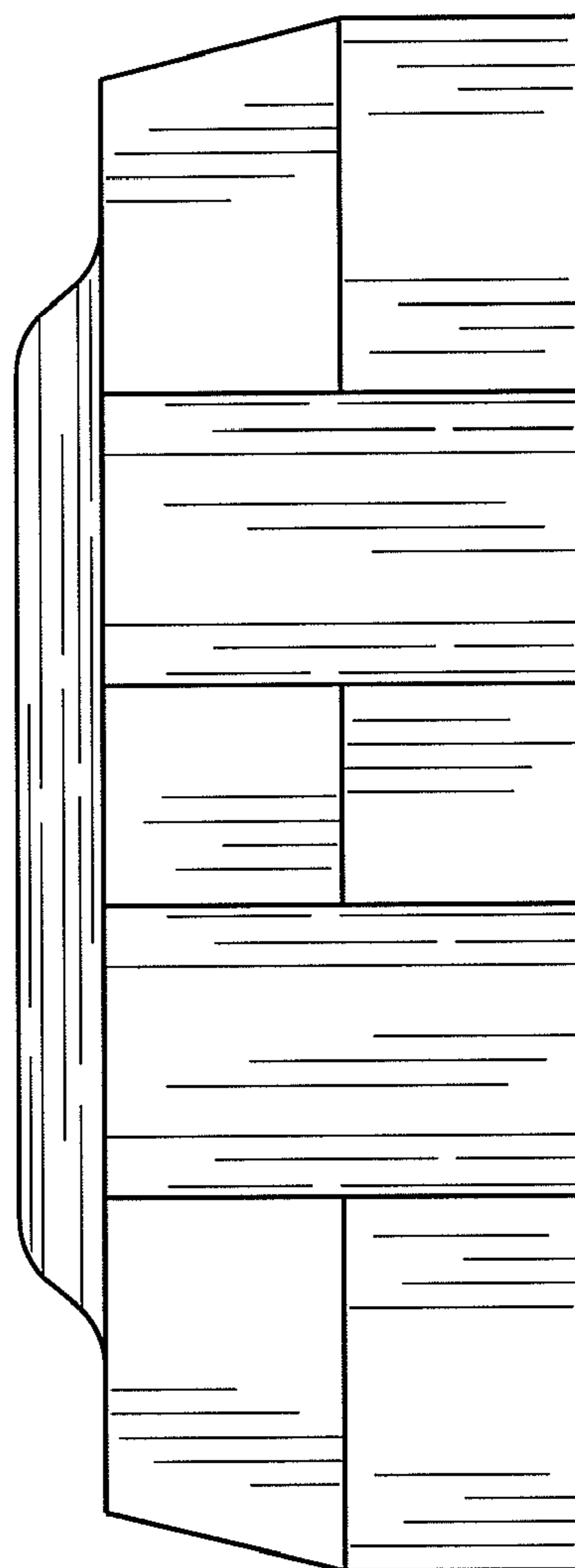


Fig. 13

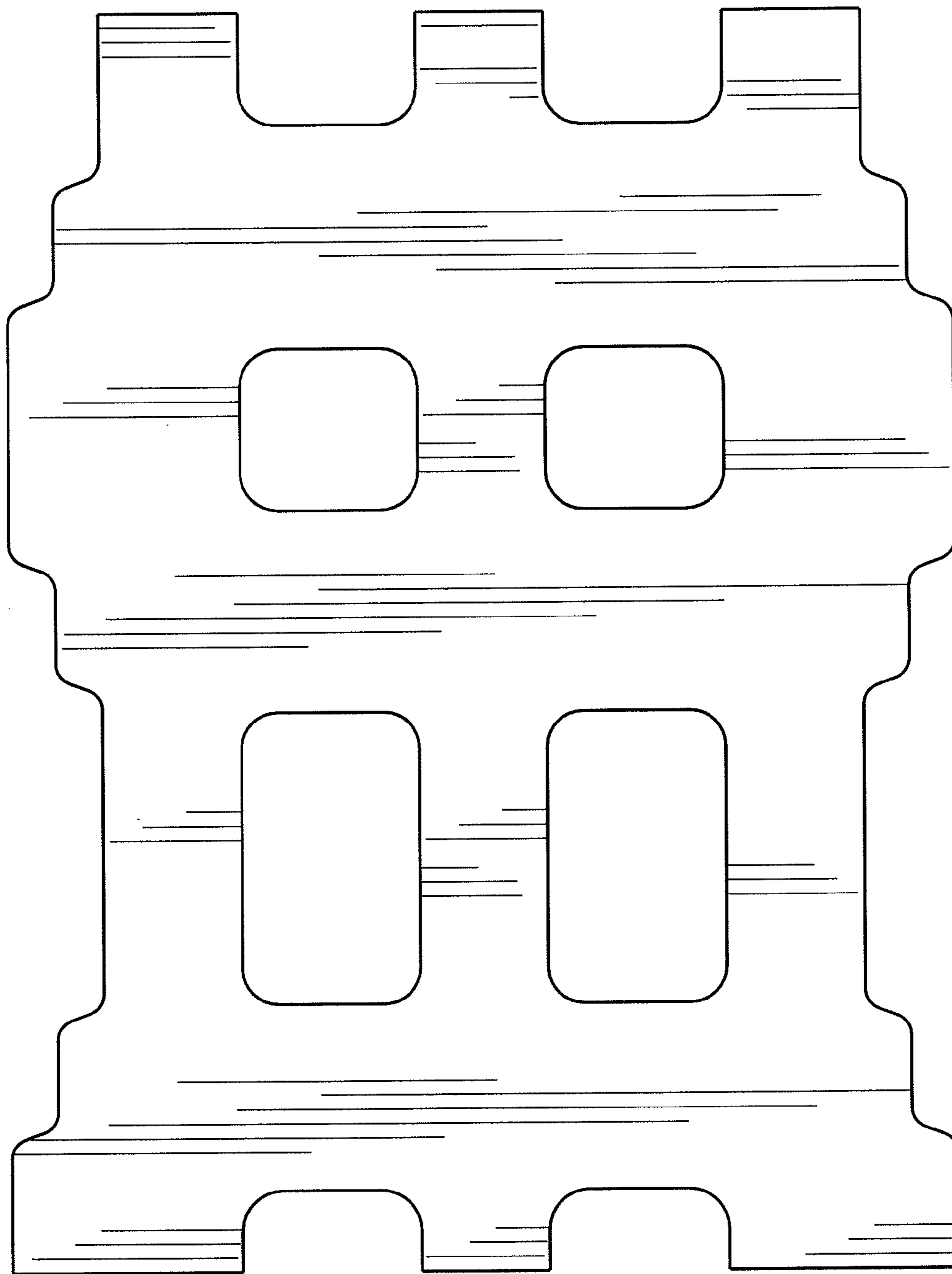


Fig. 14