



US00D575408S

(12) **United States Design Patent**
Clarke et al.

(10) **Patent No.:** **US D575,408 S**

(45) **Date of Patent:** **** Aug. 19, 2008**

(54) **APPARATUS FOR LABORATORIES**

4,459,864 A * 7/1984 Cirincione D24/222
5,989,499 A * 11/1999 Catanzariti et al. 422/102
D423,871 S * 5/2000 Persson et al. D7/377

(75) Inventors: **John Clarke**, Co. Galway (IE); **Peter Le Feuvre**, Channel Islands (GB); **David Inder**, Channel Islands (GB)

* cited by examiner

(73) Assignee: **Enfer Technologies Limited** (IE)

Primary Examiner—Louis S Zarfaz

Assistant Examiner—Anhdao Doan

(**) Term: **14 Years**

(74) *Attorney, Agent, or Firm*—Jordan M. Meschkow; Lowell W. Gresham; Charlene R. Jacobsen

(21) Appl. No.: **29/222,727**

(57) **CLAIM**

(22) Filed: **Feb. 2, 2005**

The ornamental design for a apparatus for laboratories, as shown and described.

(30) **Foreign Application Priority Data**

Aug. 3, 2004 (EM) 000209861

DESCRIPTION

(51) **LOC (8) Cl.** **24-02**

FIG. 1 is front view of a apparatus for laboratories;

(52) **U.S. Cl.** **D24/216; D24/220**

FIG. 2 is a rear view thereof;

(58) **Field of Classification Search** D24/216–230;
422/64, 102, 99, 104; D10/81, 103; D7/377;
241/153, 258

FIG. 3 is a right side view thereof;

FIG. 4 is a left side view thereof;

See application file for complete search history.

FIG. 5 is a top, left perspective view thereof;

FIG. 6 is a bottom, right perspective view thereof; and,

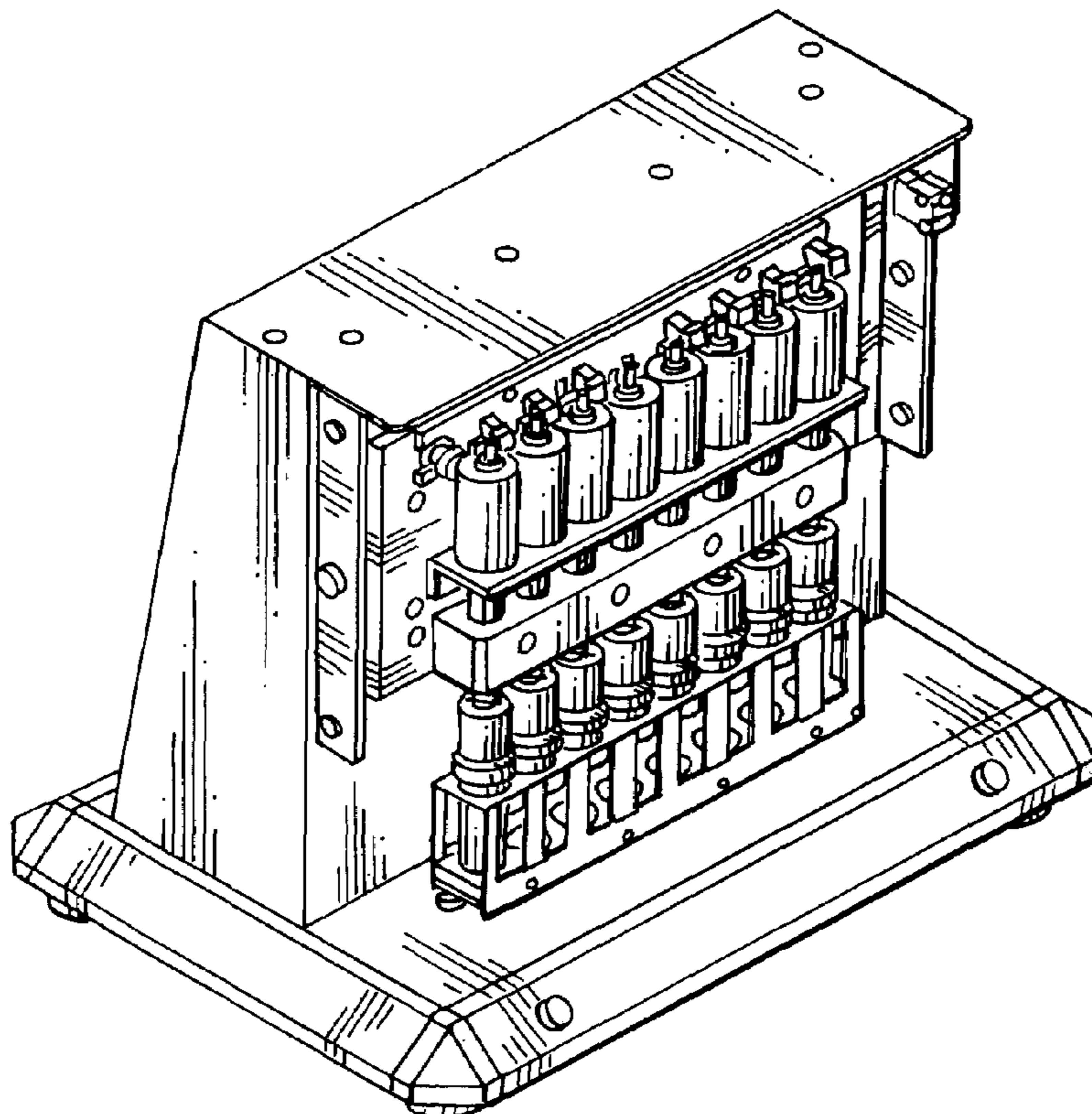
FIG. 7 is a top view thereof.

(56) **References Cited**

U.S. PATENT DOCUMENTS

D274,258 S * 6/1984 Hegemann D24/222

1 Claim, 2 Drawing Sheets



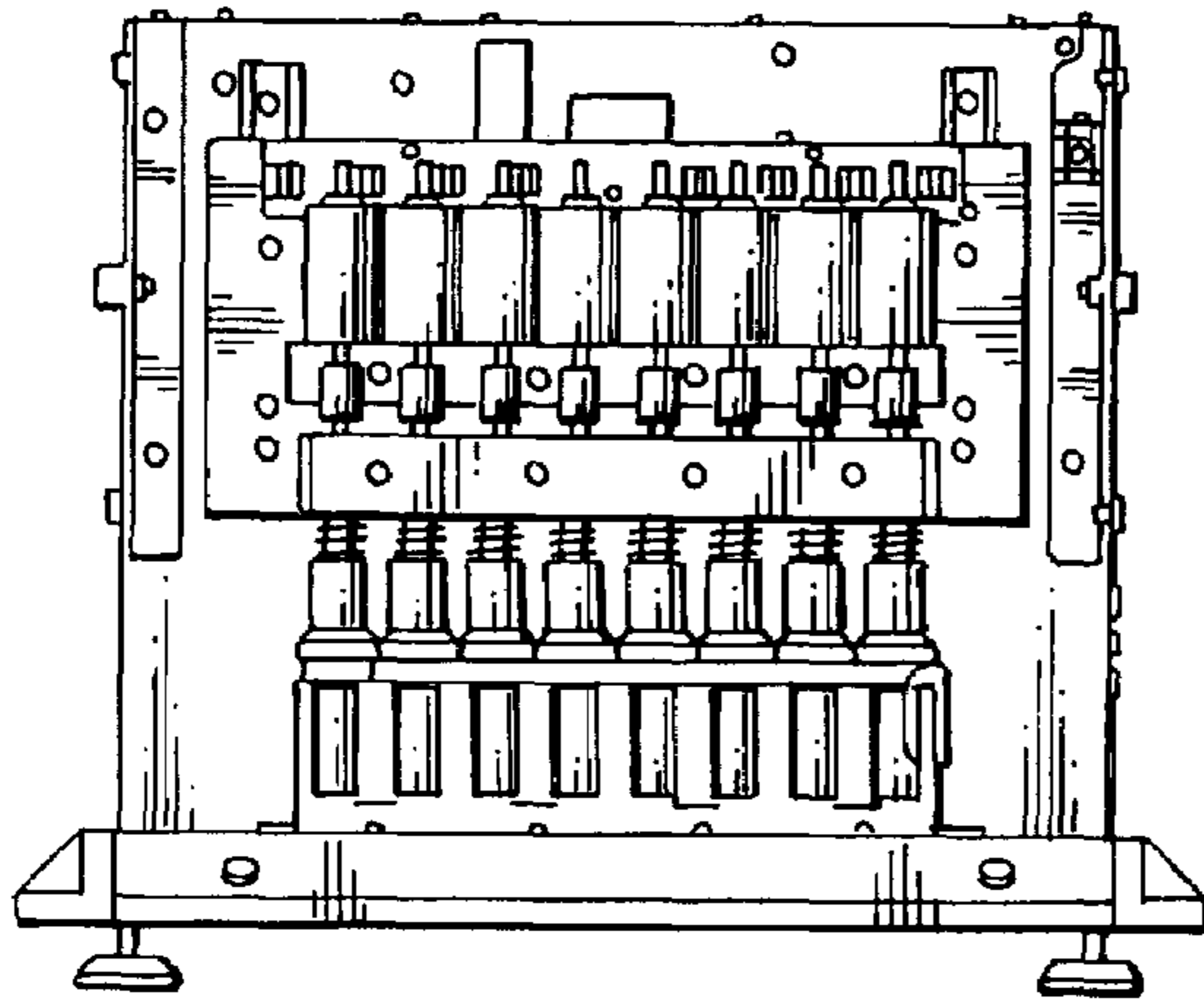


FIG. 1

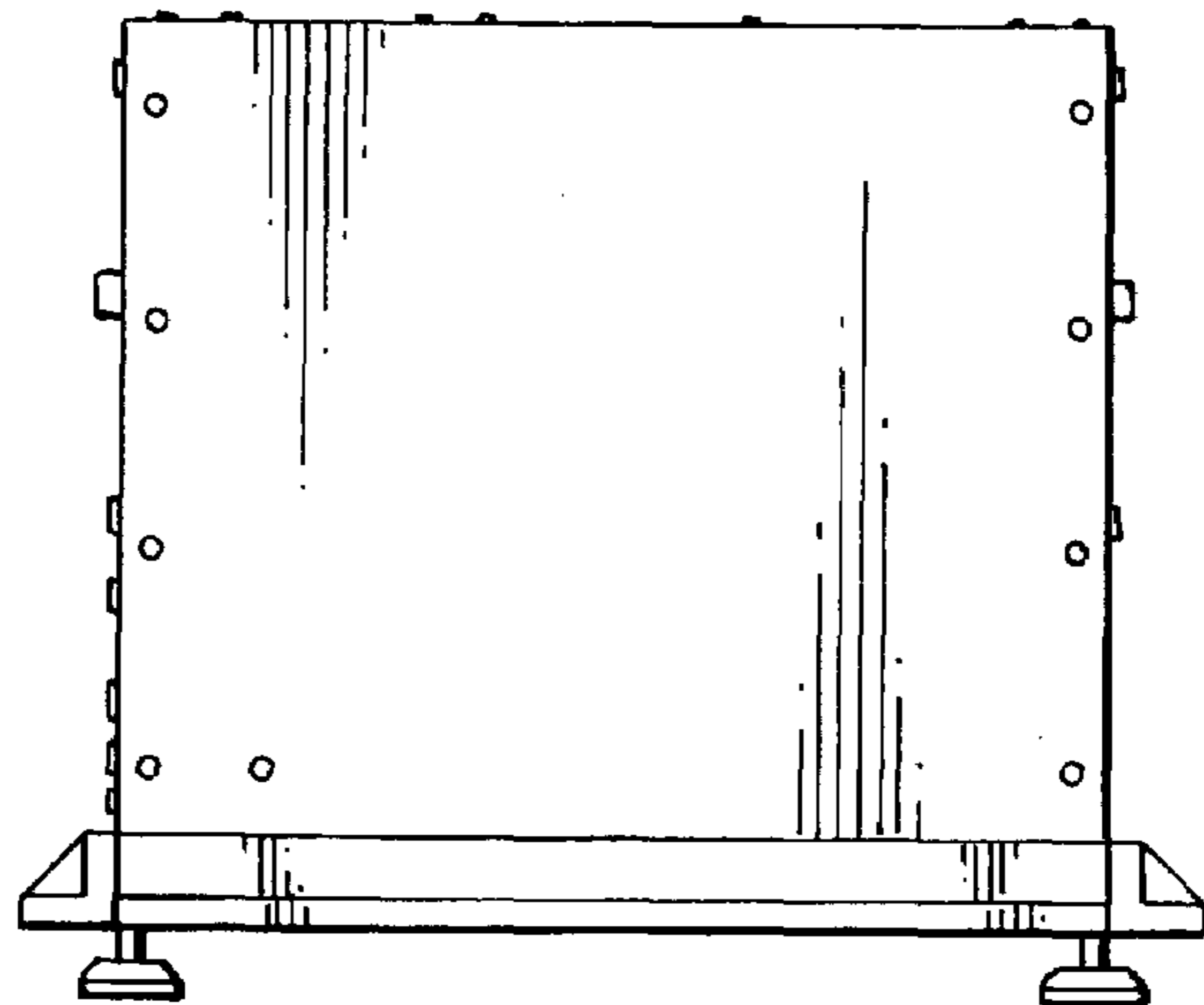


FIG. 2

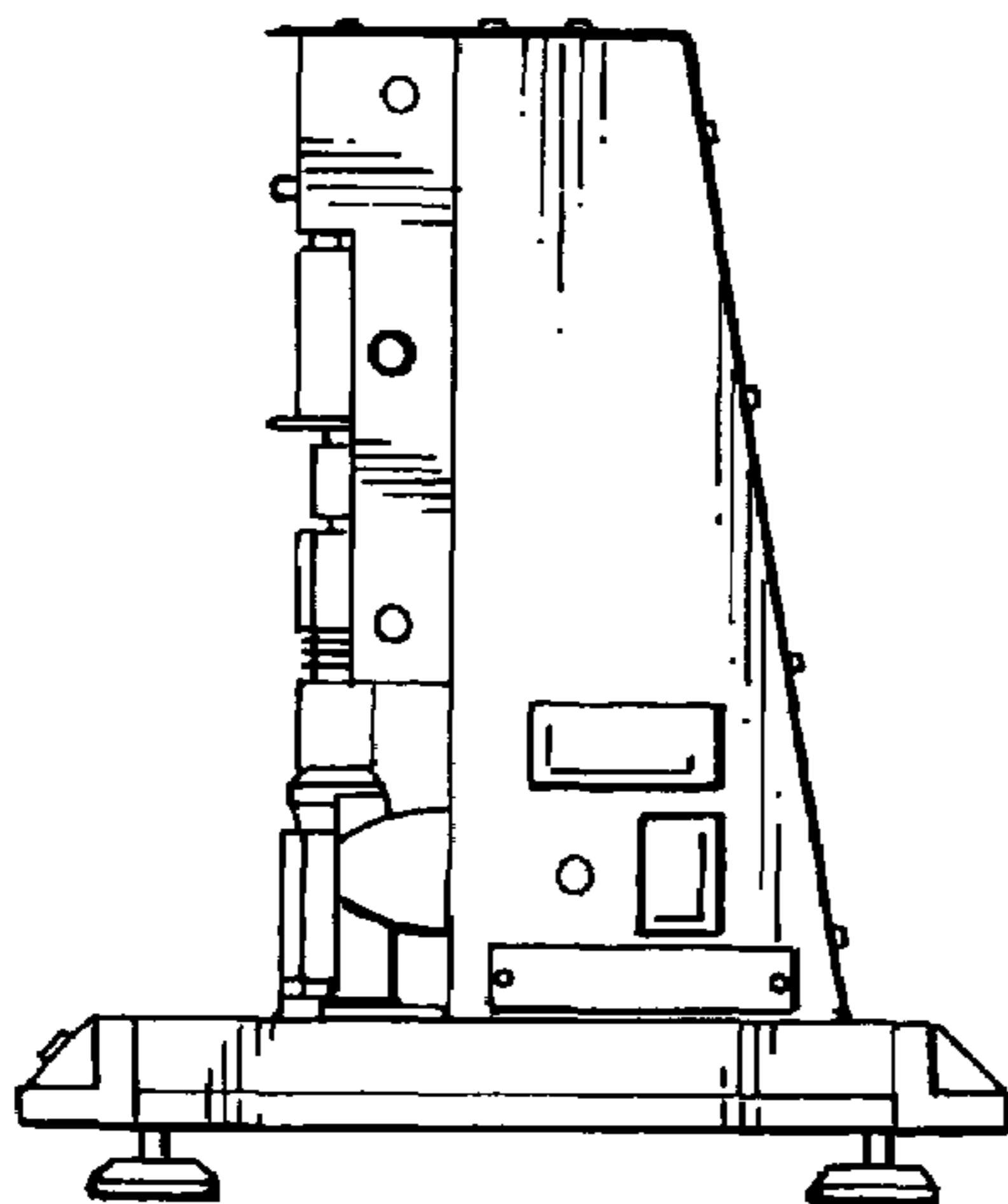


FIG. 3

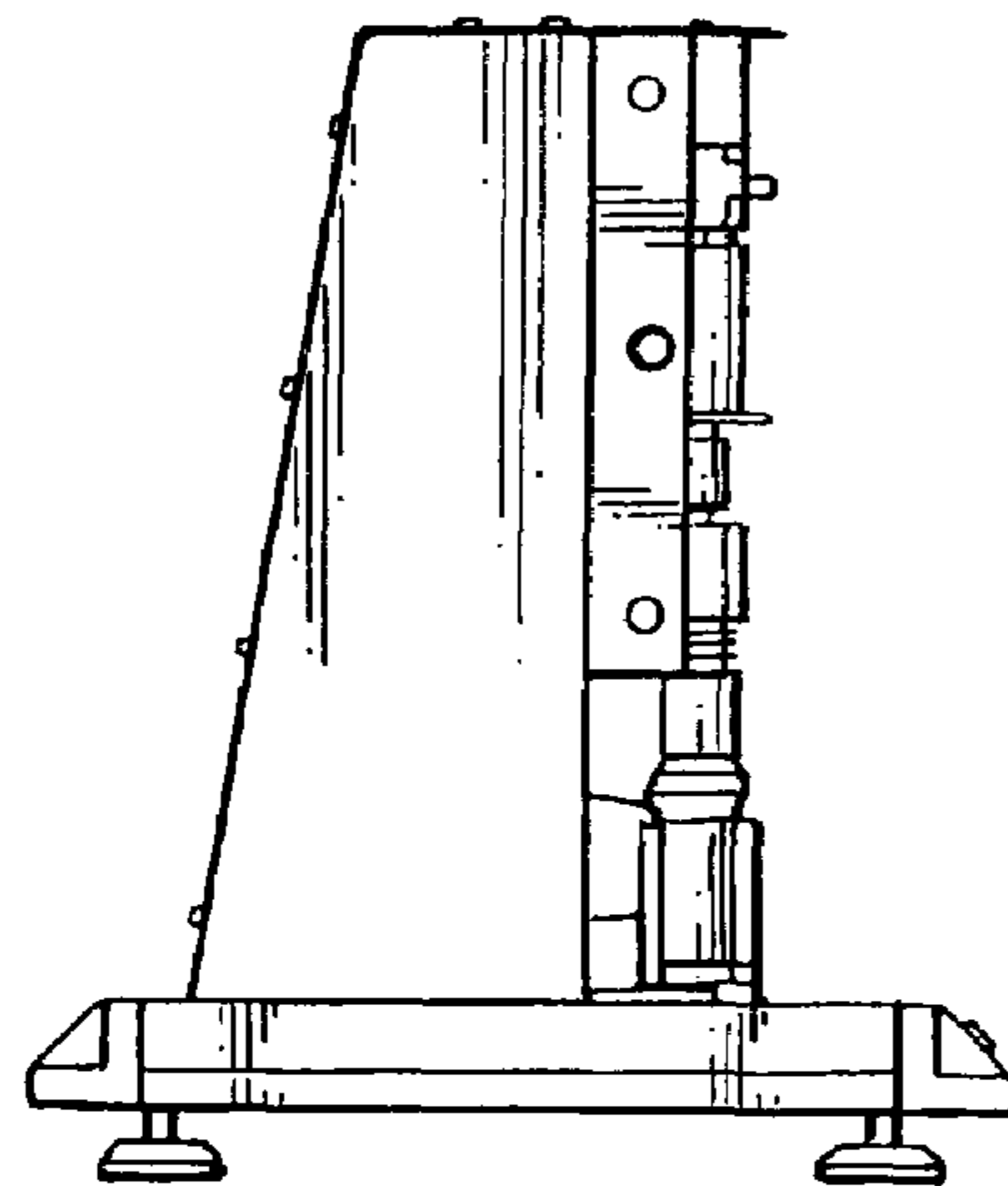


FIG. 4

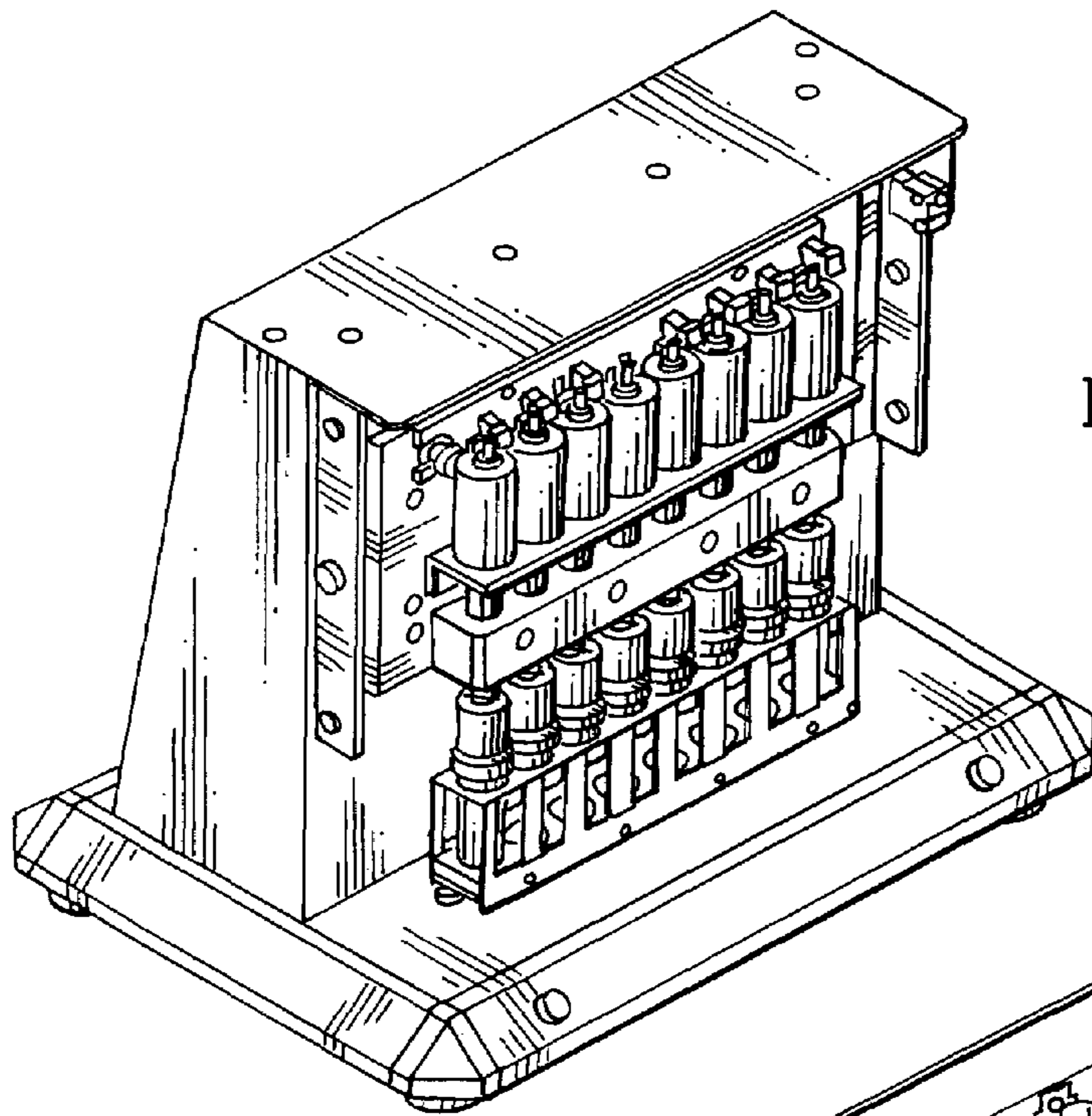


FIG. 5

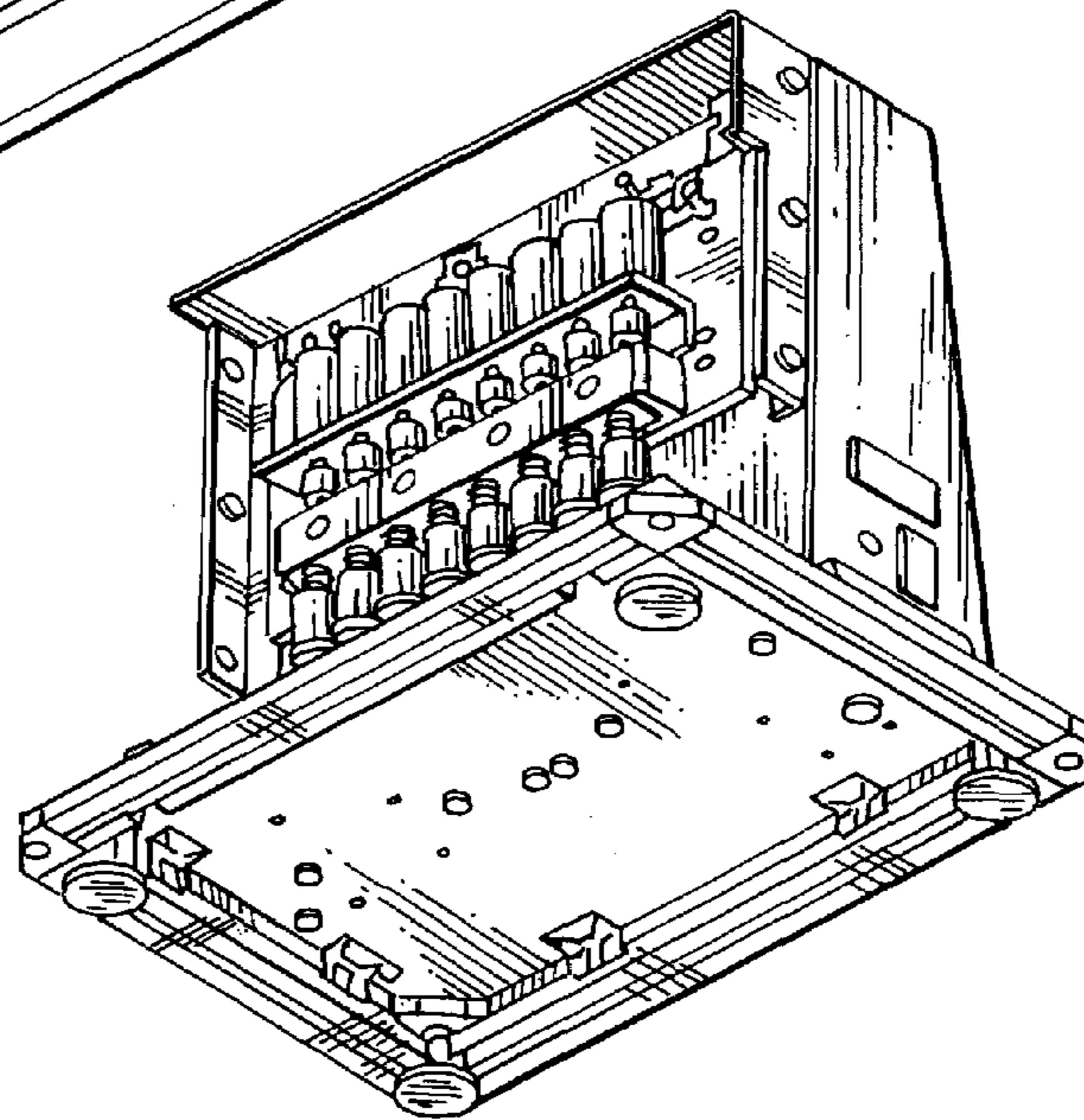


FIG. 6

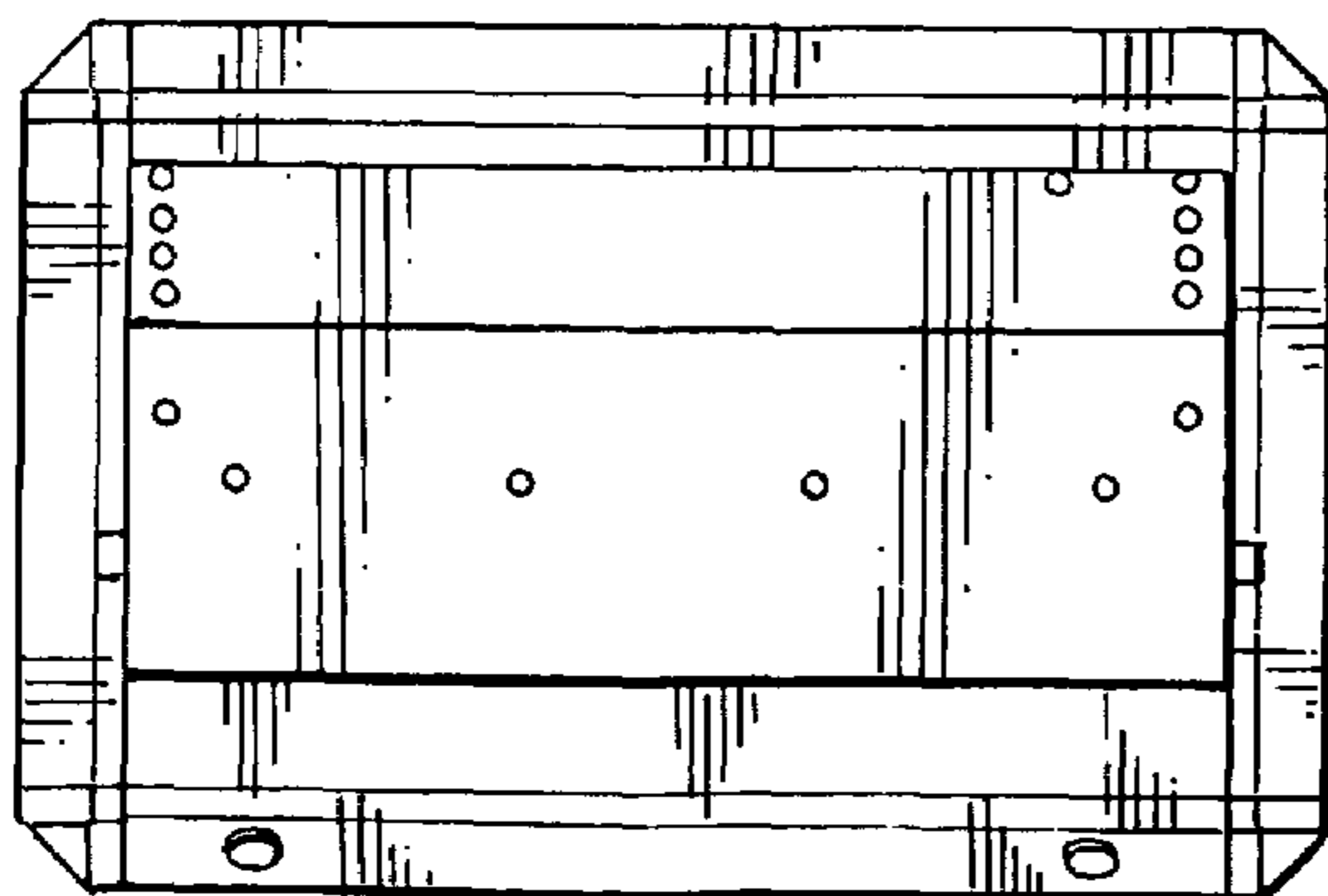


FIG. 7