



US00D575404S

(12) **United States Design Patent**
Huffman

(10) **Patent No.:** **US D575,404 S**
(45) **Date of Patent:** **** Aug. 19, 2008**

(54) **QUADRANT DENTAL ARTICULATOR
OPPOSING BASE**

(76) Inventor: **Ronald E. Huffman**, P.O. Box 68440,
Oro Valley, AZ (US) 85704

(**) Term: **14 Years**

(21) Appl. No.: **29/256,972**

(22) Filed: **Mar. 28, 2006**

(51) **LOC (8) Cl.** **24-02**

(52) **U.S. Cl.** **D24/182**

(58) **Field of Classification Search** D24/155-157,
D24/133, 107, 181, 182; D29/108; 128/848,
128/859; 602/902; 623/1.13-1.17, 17.16,
623/44, 16.11, 17.11; 604/1.02; 433/141.2,
433/121; 81/119

See application file for complete search history.

(56) **References Cited**

U.S. PATENT DOCUMENTS

921,791 A 5/1909 Benson

(Continued)

FOREIGN PATENT DOCUMENTS

DE 3 436 094 A1 3/1985

(Continued)

OTHER PUBLICATIONS

U.S. Appl. No. 29/216,696, filed on Nov. 5, 2004.

(Continued)

Primary Examiner—Charles A. Rademaker
(74) *Attorney, Agent, or Firm*—Merchant & Gould P.C.

(57) **CLAIM**

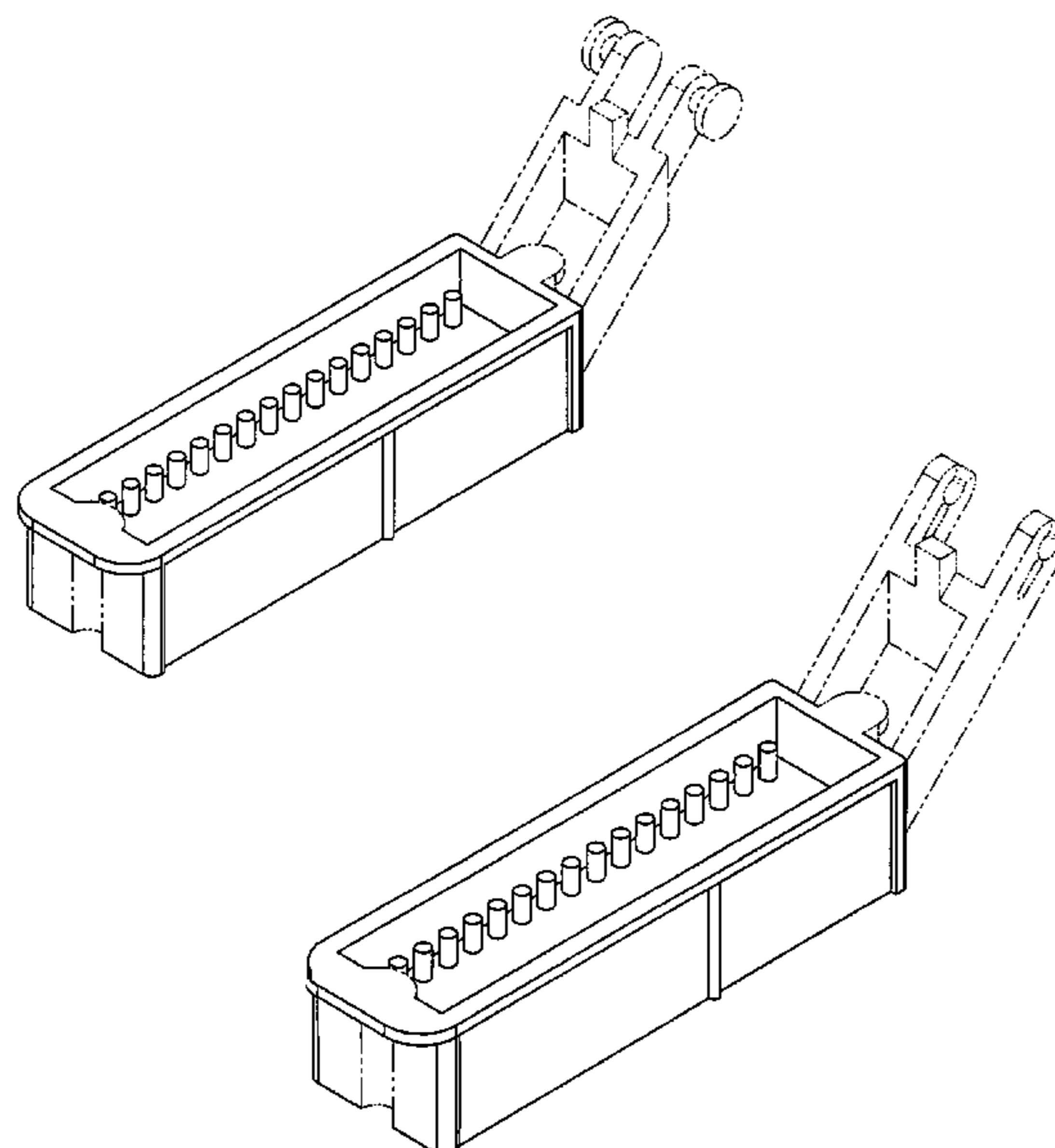
The ornamental design for quadrant dental articulator opposing base, as shown and described.

DESCRIPTION

FIG. 1 is a top and front top perspective view of a quadrant dental articulator opposing base showing my new design; FIG. 2 is a top and rear perspective view thereof; FIG. 3 is a bottom and front perspective view thereof; FIG. 4 is a bottom and rear perspective view thereof; FIG. 5 is a left side elevation thereof; FIG. 6 is a right side elevation thereof; FIG. 7 is a top plan view thereof; FIG. 8 is a bottom plan view thereof; FIG. 9 is a front elevation thereof; FIG. 10 is a rear elevation thereof; FIG. 11 is a top and front top perspective view of a modified embodiment of the design shown in FIGS. 1 through 10; FIG. 12 is a top and rear perspective view thereof; FIG. 13 is a bottom and front perspective view thereof; FIG. 14 is a bottom and rear perspective view thereof; FIG. 15 is a left side elevation thereof; FIG. 16 is a right side elevation thereof; FIG. 17 is a top plan view thereof; FIG. 18 is a bottom plan view thereof; FIG. 19 is a front elevation thereof; and, FIG. 20 is a rear elevation thereof.

The broken lines showing of portions of the claimed design and the modified embodiment thereof are included for the purpose of illustrating environmental structures and form no part of the claimed design.

1 Claim, 8 Drawing Sheets



US D575,404 S

Page 2

U.S. PATENT DOCUMENTS							
			4,203,219	A *	5/1980	Wiener	433/74
4,301,357	A	11/1981	Huffman				
4,319,875	A	3/1982	Beckwith				
4,359,464	A	11/1982	Weinstock				
4,371,339	A	2/1983	Zeiser				
4,378,929	A	4/1983	Huffman				
4,382,787	A	5/1983	Huffman				
4,398,884	A	8/1983	Huffman				
4,403,961	A	9/1983	Gurney				
4,436,511	A	3/1984	Mitchell, Sr.				
4,439,151	A	3/1984	Whelan				
4,443,192	A	4/1984	Blitz				
4,449,930	A	5/1984	Huffman				
4,449,931	A	5/1984	Saito				
4,459,110	A	7/1984	Jackson				
4,473,353	A	9/1984	Greggs				
4,481,162	A	11/1984	Huffman				
4,494,934	A	1/1985	Huffman				
4,504,226	A	3/1985	Gordon				
4,521,188	A	6/1985	Metzler				
4,533,323	A	8/1985	Huffman				
4,538,987	A	9/1985	Weissman				
4,548,581	A	10/1985	Huffman				
D283,541	S	4/1986	Huffman				
D283,542	S	4/1986	Huffman				
D283,639	S	4/1986	Huffman				
D283,730	S	5/1986	Huffman				
4,608,016	A	8/1986	Zeiser				
D286,179	S	10/1986	Huffman				
D286,436	S	10/1986	Huffman				
4,645,454	A	2/1987	Amdur et al.				
D289,924	S	5/1987	Huffman				
4,671,770	A	6/1987	Bell et al.				
4,708,648	A	11/1987	Weissman				
4,708,835	A	11/1987	Kiefer				
967,086	A	8/1910	Tuttle				
1,013,028	A	12/1911	Lee				
1,745,570	A	2/1930	Dimelow				
1,772,027	A	8/1930	Baumgarten				
1,780,117	A	10/1930	Craigo				
2,031,996	A	2/1936	Zelesnick				
2,037,344	A	4/1936	Schwartz				
2,234,411	A	3/1941	McDonald				
2,376,384	A	5/1945	Ringle et al.				
2,398,671	A	4/1946	Saffir				
2,577,420	A	12/1951	Jablonski et al.				
2,585,857	A	2/1952	Schwartz				
2,613,440	A	10/1952	Murray et al.				
2,621,407	A	12/1952	Schlesinger				
2,669,780	A	2/1954	Mann				
2,842,845	A	7/1958	Carlson				
3,150,448	A	9/1964	Wozar				
3,453,736	A	7/1969	Waltke				
3,461,562	A	8/1969	Cooper				
3,478,428	A *	11/1969	Stengel				433/74
3,510,947	A	5/1970	Tuccillo				
3,518,761	A	7/1970	Susman et al.				
3,581,398	A	6/1971	Thomas				
3,650,032	A	3/1972	Kestler				
3,753,291	A	8/1973	Bocian et al.				
3,832,777	A	9/1974	Tinder				
3,913,230	A	10/1975	Weiss				
3,934,348	A	1/1976	Janjic				
3,937,773	A	2/1976	Huffman				
3,947,964	A *	4/1976	Lee				433/69
3,969,820	A	7/1976	Kulig et al.				
4,021,916	A	5/1977	Spalten				
4,022,419	A	5/1977	Haker				
4,116,416	A	9/1978	Segura				
4,122,606	A	10/1978	Roman				
4,127,939	A	12/1978	Samuel et al.				
4,174,570	A	11/1979	Schwartz				
			4,229,167	A	10/1980	Kikuchi et al.	
			4,240,605	A	12/1980	Waltke	
			4,242,812	A	1/1981	Randoll et al.	
			4,265,619	A	5/1981	Lucki et al.	
			4,283,173	A	8/1981	Browne et al.	
			4,721,464	A	1/1988	Roden et al.	
			4,734,033	A	3/1988	Huffman	
			D295,314	S *	4/1988	Kwok	D24/182
			4,767,330	A	8/1988	Burger	
			4,767,331	A	8/1988	Hoe	
			4,786,253	A	11/1988	Morais	
			4,834,651	A	5/1989	Fenick	
			4,842,242	A	6/1989	Huffman	
			D302,456	S	7/1989	Huffman	
			D302,587	S	8/1989	Huffman	
			D302,724	S	8/1989	Huffman	
			D302,725	S	8/1989	Huffman	
			4,865,546	A	9/1989	Naylor	
			RE33,099	E	10/1989	Shoher et al.	
			4,886,453	A	12/1989	Ludwigs	
			D305,361	S	1/1990	Huffman	
			D305,362	S	1/1990	Huffman	
			D306,206	S	2/1990	Huffman	
			4,898,359	A	2/1990	Gopon	
			4,917,347	A	4/1990	Fenick	
			RE33,271	E	7/1990	Shoher et al.	
			4,940,409	A	7/1990	Nordin	
			4,980,124	A	12/1990	Dimmer	
			5,015,182	A	5/1991	Newberry	
			5,028,235	A	7/1991	Smith	
			5,044,949	A	9/1991	Xanthopoulos	
			5,049,075	A	9/1991	Barrut	
			5,076,789	A	12/1991	Tanaka	
			D323,559	S *	1/1992	Shafer	D24/182
			5,098,290	A	3/1992	Honstein et al.	
			5,100,317	A	3/1992	Darnand	
			5,197,874	A	3/1993	Silva et al.	
			5,207,574	A	5/1993	Garland	
			5,352,117	A	10/1994	Silva	
			5,393,227	A	2/1995	Nooning	
			5,403,185	A	4/1995	Presswood	
			5,466,152	A	11/1995	Walter	
			5,470,231	A	11/1995	Stern	
			5,501,600	A	3/1996	Johnson	
			5,586,884	A	12/1996	Kraus	
			5,622,497	A	4/1997	Cho	
			5,722,828	A	3/1998	Halstrom	
			5,766,007	A	6/1998	Huffman	
			5,769,634	A	6/1998	Choi	
			5,775,899	A	7/1998	Huffman	
			5,788,489	A	8/1998	Huffman	
			5,788,490	A	8/1998	Huffman	
			5,800,166	A	9/1998	Huffman	
			5,807,099	A	9/1998	Johnson	
			5,868,138	A	2/1999	Halstrom	
			5,868,569	A	2/1999	Huffman	
			D408,919	S	4/1999	Cooley	
			5,934,901	A	8/1999	Huffman	
			5,970,981	A *	10/1999	Ochel	128/859
			5,996,963	A	12/1999	Michael	
			6,033,221	A	3/2000	Tsubota et al.	
			D429,815	S	8/2000	Huffman	
			D430,672	S	9/2000	Huffman	
			D433,136	S	10/2000	Huffman	
			D433,754	S	11/2000	Huffman	
			6,186,781	B1	2/2001	Iba	
			6,234,794	B1	5/2001	Ozaki	
			D443,363	S	6/2001	Huffman	
			D444,559	S	7/2001	Huffman	
			D452,009	S	12/2001	Huffman	
			D452,010	S	12/2001	Huffman	
			D452,319	S	12/2001	Huffman	

US D575,404 S

Page 3

D452,320 S	12/2001	Huffman	
D452,321 S	12/2001	Huffman	
D452,322 S	12/2001	Huffman	
D452,566 S	12/2001	Huffman	
D452,567 S	12/2001	Huffman	
D452,568 S	12/2001	Huffman	
D456,902 S	5/2002	Huffman	
D456,903 S	5/2002	Huffman	
D456,904 S	5/2002	Huffman	
D457,243 S	5/2002	Huffman	
D457,636 S	5/2002	Huffman	
D457,637 S	5/2002	Huffman	
D457,963 S	5/2002	Huffman	
D457,964 S	5/2002	Huffman	
D464,431 S	10/2002	Huffman	
D464,432 S	10/2002	Huffman	
D464,732 S	10/2002	Huffman	
D464,733 S	10/2002	Huffman	
D465,027 S	10/2002	Huffman	
6,471,513 B1	10/2002	Huffman	
D468,018 S	12/2002	Huffman	
D468,431 S	1/2003	Huffman	
D468,432 S	1/2003	Huffman	
D469,537 S	1/2003	Huffman	
6,511,318 B2	1/2003	Kim	
D481,797 S	11/2003	Huffman	
6,884,068 B2	4/2005	Huffman	
6,886,566 B2	5/2005	Eubank	
7,044,734 B2	5/2006	Huffman	
D529,177 S	9/2006	Huffman	
7,108,507 B2	9/2006	Huffman	
D530,014 S	10/2006	Huffman	
7,156,660 B2	1/2007	Huffman	
D537,987 S	3/2007	Manzo et al.	
7,210,931 B1 *	5/2007	Huffman 433/60
2002/0102514 A1	8/2002	Huffman	
2004/0013998 A1	1/2004	Jung et al.	
2004/0029070 A1	2/2004	Huffman	
2004/0029071 A1	2/2004	Huffman	
2004/0096802 A1	5/2004	Gittleman	

2004/0197729 A1	10/2004	Honstein et al.
2005/0064364 A1	3/2005	Huffman
2005/0064365 A1	3/2005	Huffman
2005/0064366 A1	3/2005	Huffman
2005/0106530 A1	5/2005	Huffman

FOREIGN PATENT DOCUMENTS

DE	3 505 680 A1	7/1985
DE	3 521 137 A1	12/1986
DE	3 825 014 A1	1/1990
DE	295 06 480 U1	8/1995
DE	296 13 916 U1	1/1998
DE	4 01 05 710.0	10/2001
EP	0 210 484 A2	2/1985
EP	0 151 086 A2	8/1985
EP	0 277 026 A2	8/1988
EP	0 291 821 A1	11/1988
EP	0 528 335	2/1993
FR	2 750 851 A1	1/1998
FR	2 757 372 A1	6/1998
FR	2 770 994	5/1999
FR	65365WTO653664	2/2002
GB	866118	4/1961
GB	886118	1/1962
GB	2102229 A	1/1983
GB	2105427	3/1983
GB	1014814	2/1984
GB	1053786	4/1989
GB	2075293	9/1998
JP	1175348	4/2003
JP	1178837	5/2003
WO	WO 88/10101	12/1988
WO	WO 97/16130	5/1997
WO	WO 01/01881 A2	1/2001

OTHER PUBLICATIONS

U.S. Appl. No. 29/216,697, filed on Nov. 5, 2004.

* cited by examiner

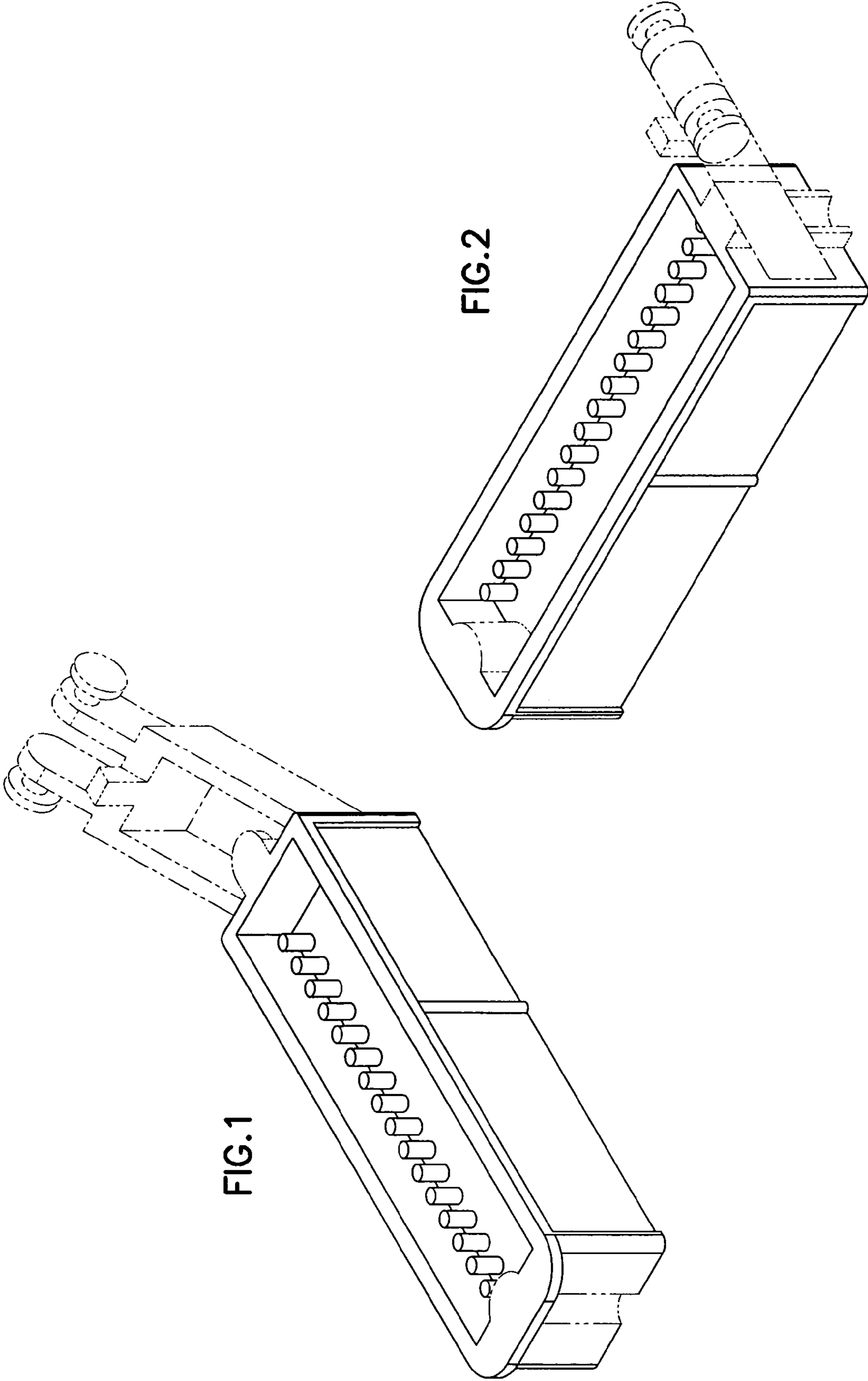


FIG.3

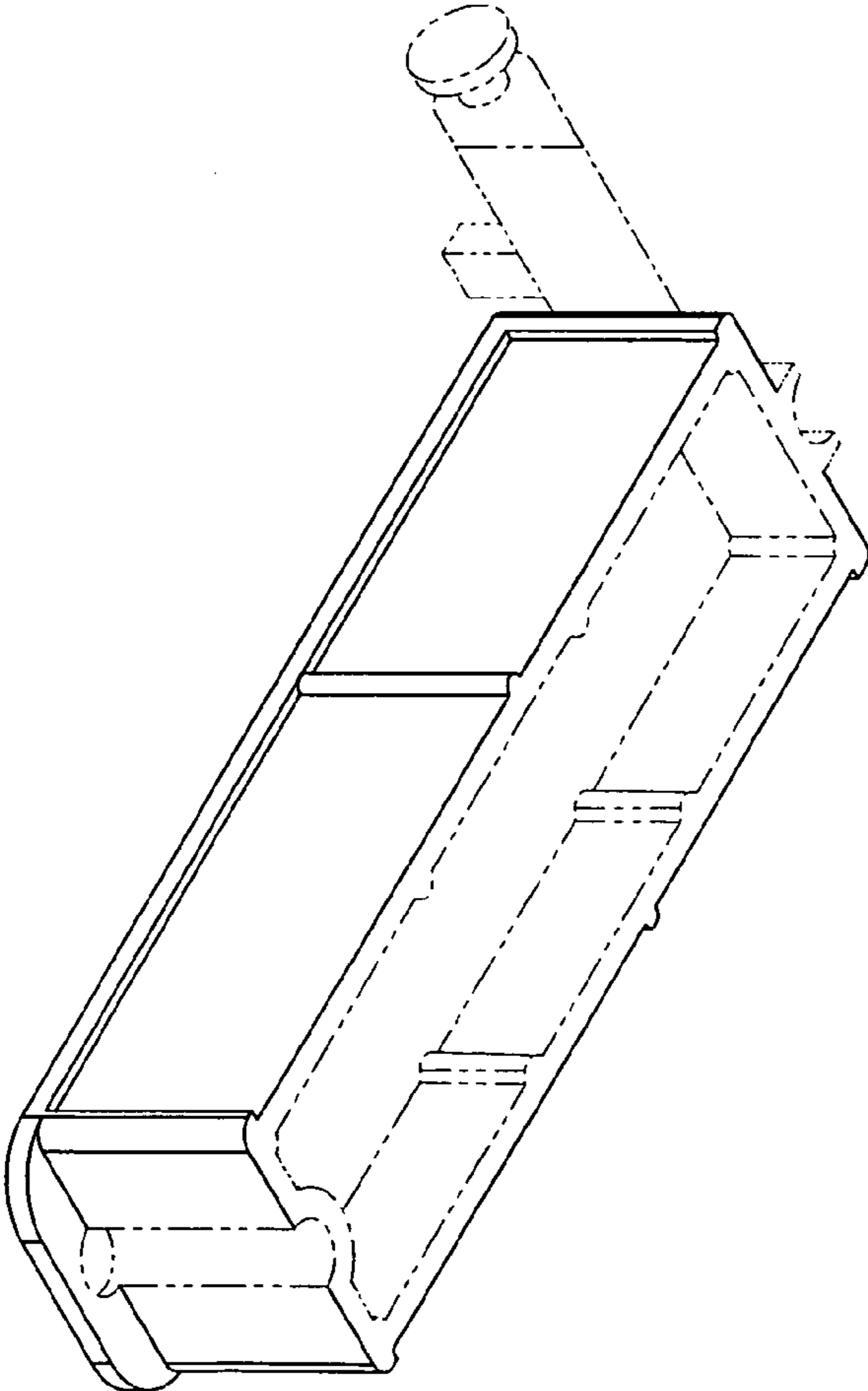
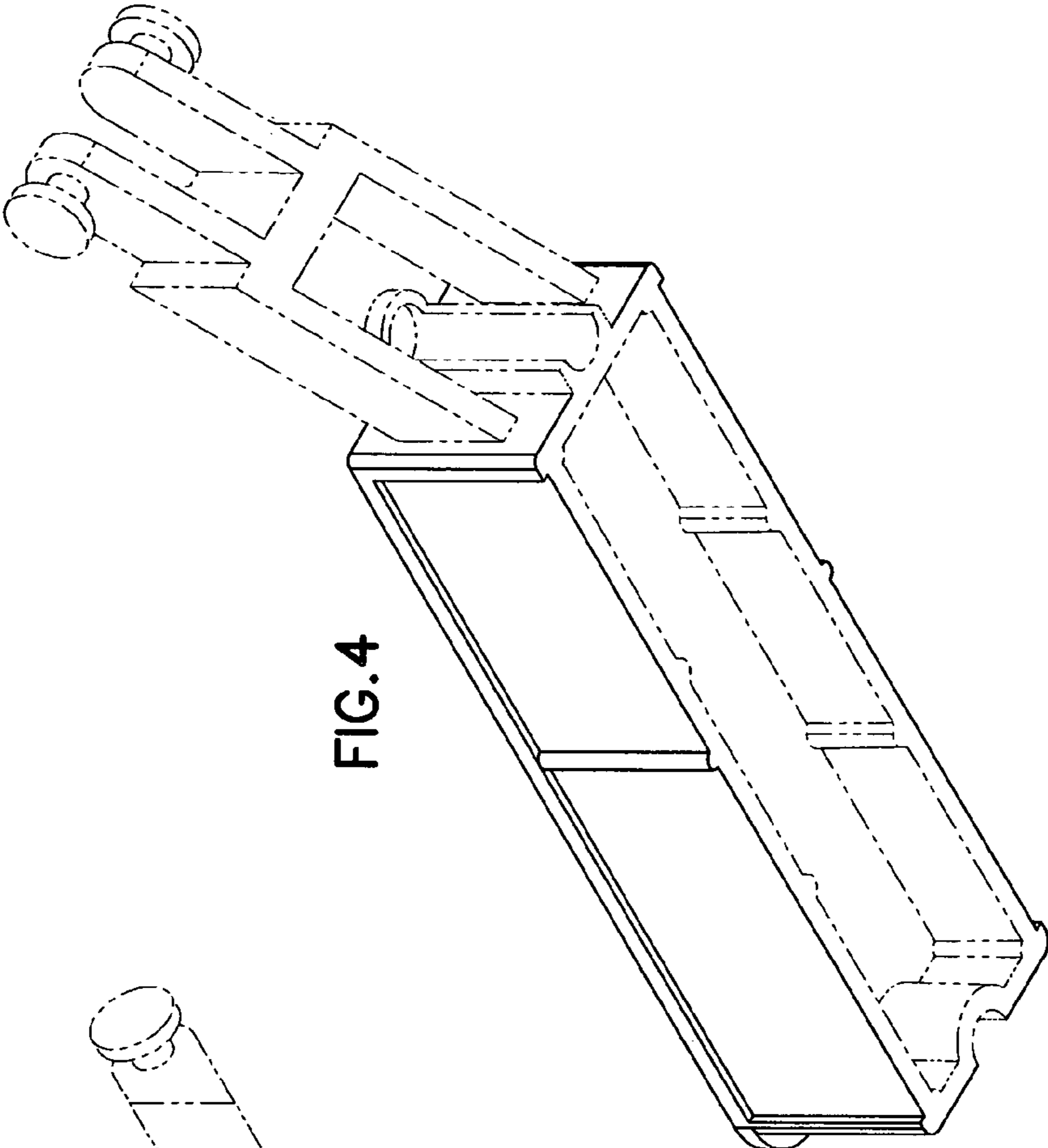


FIG.4



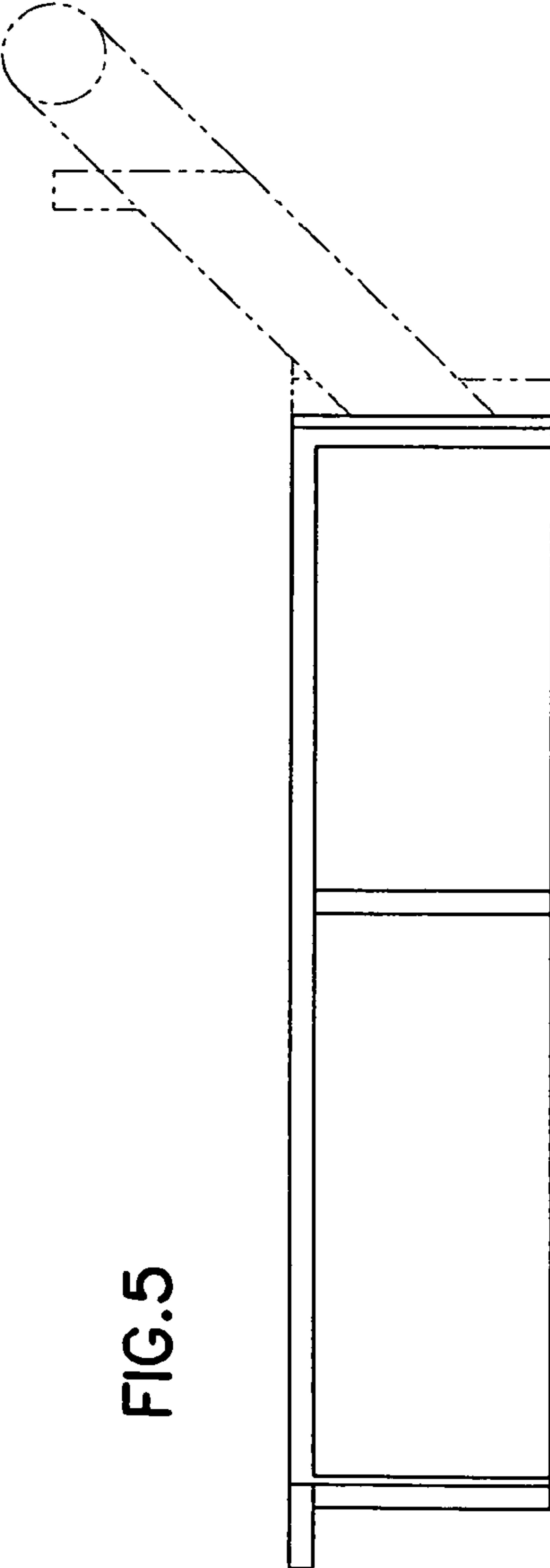


FIG. 5

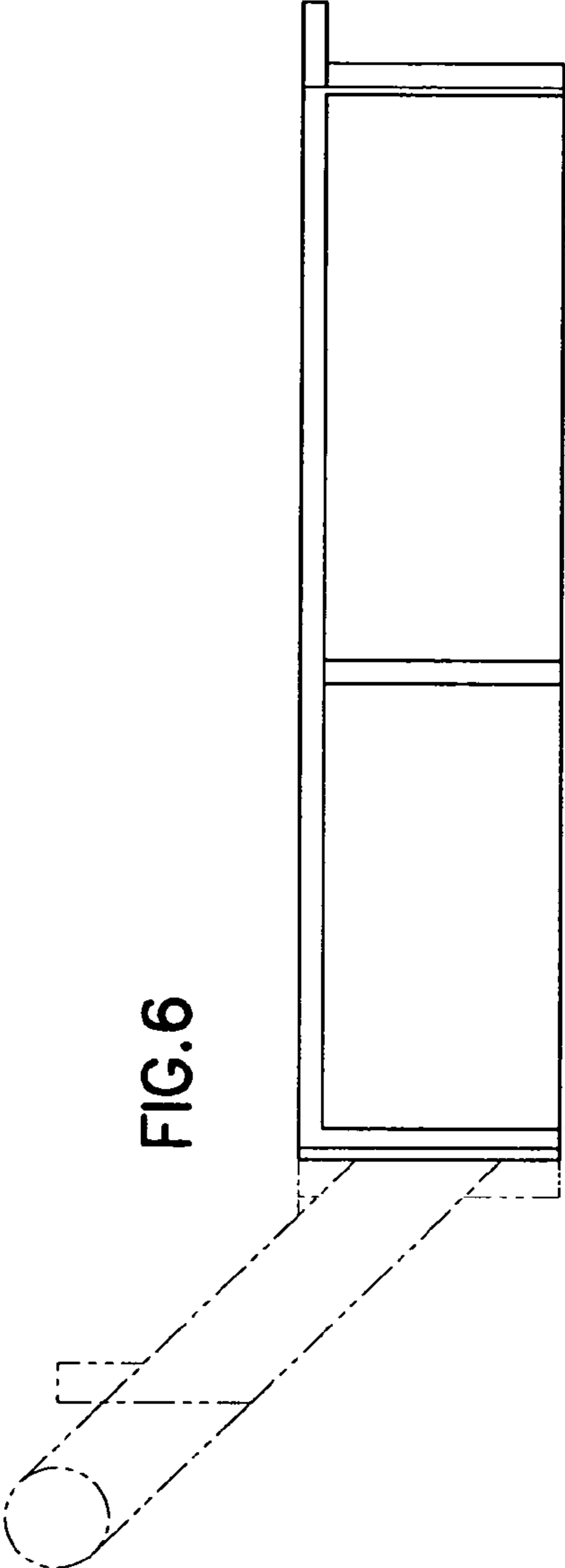


FIG. 6

FIG.8

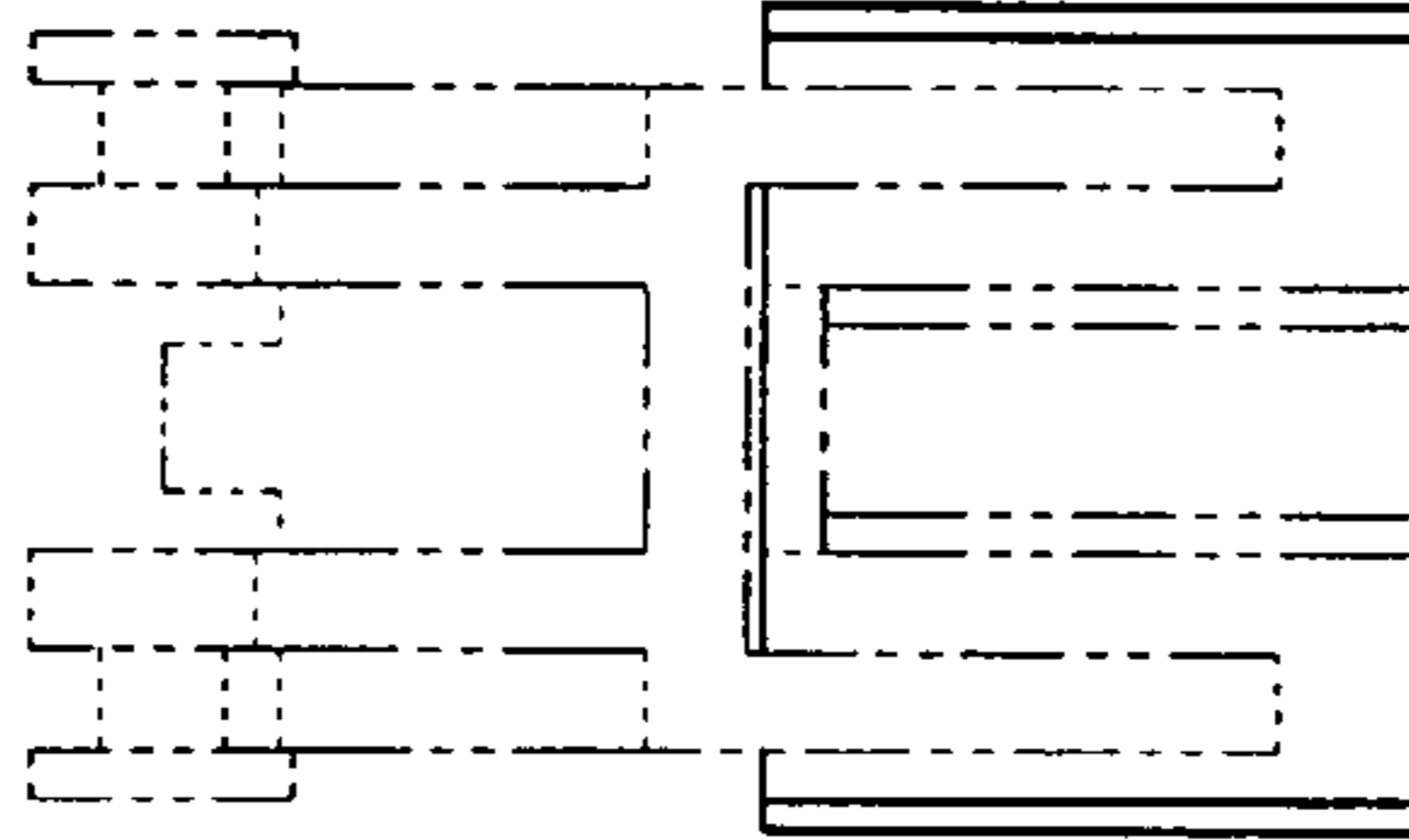
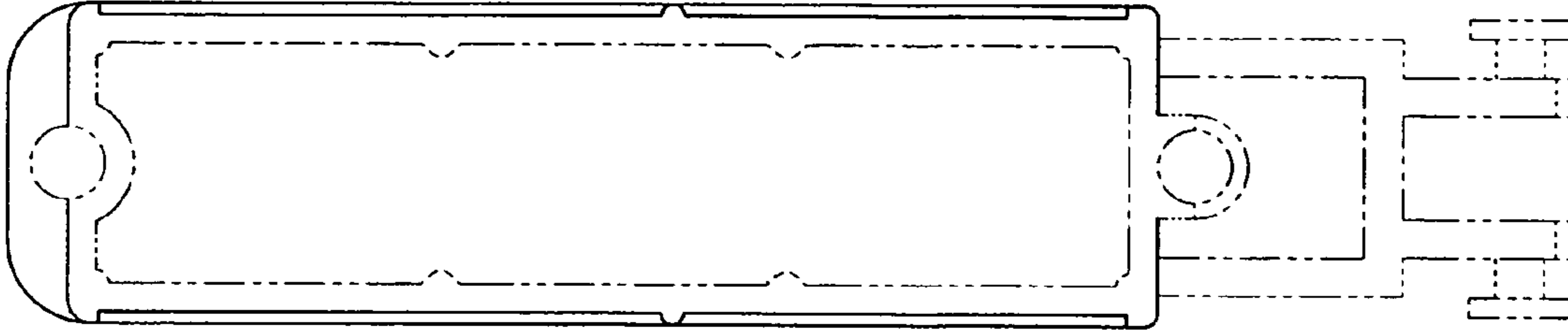


FIG.10

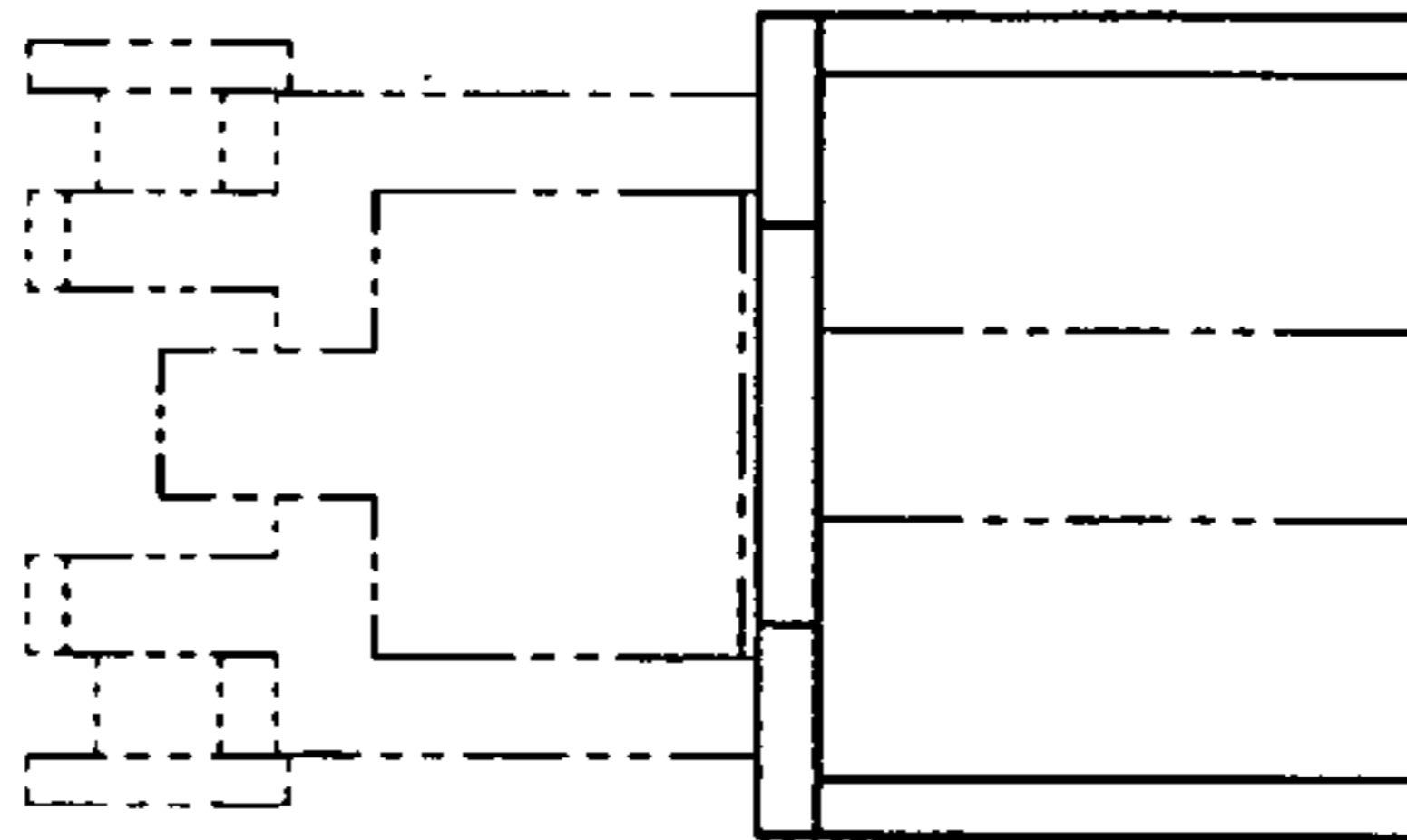
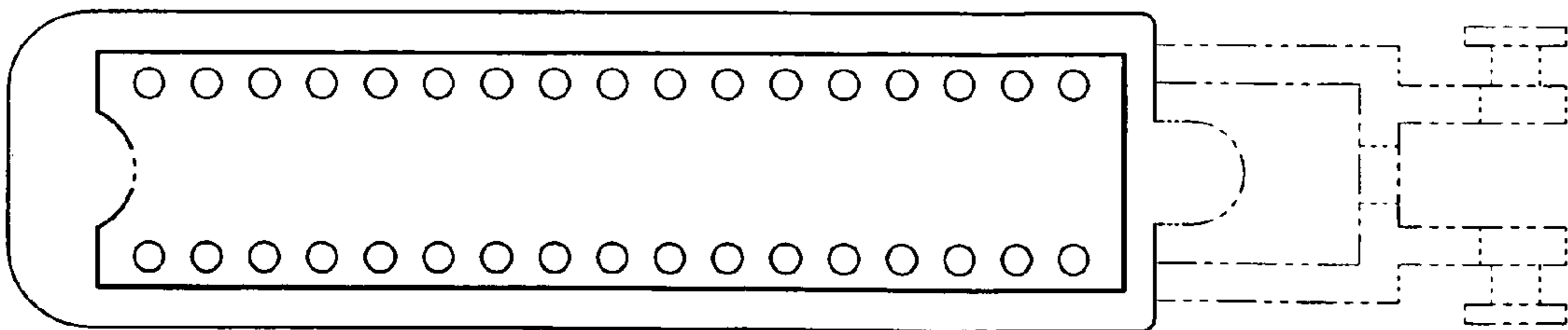


FIG.9

FIG.7



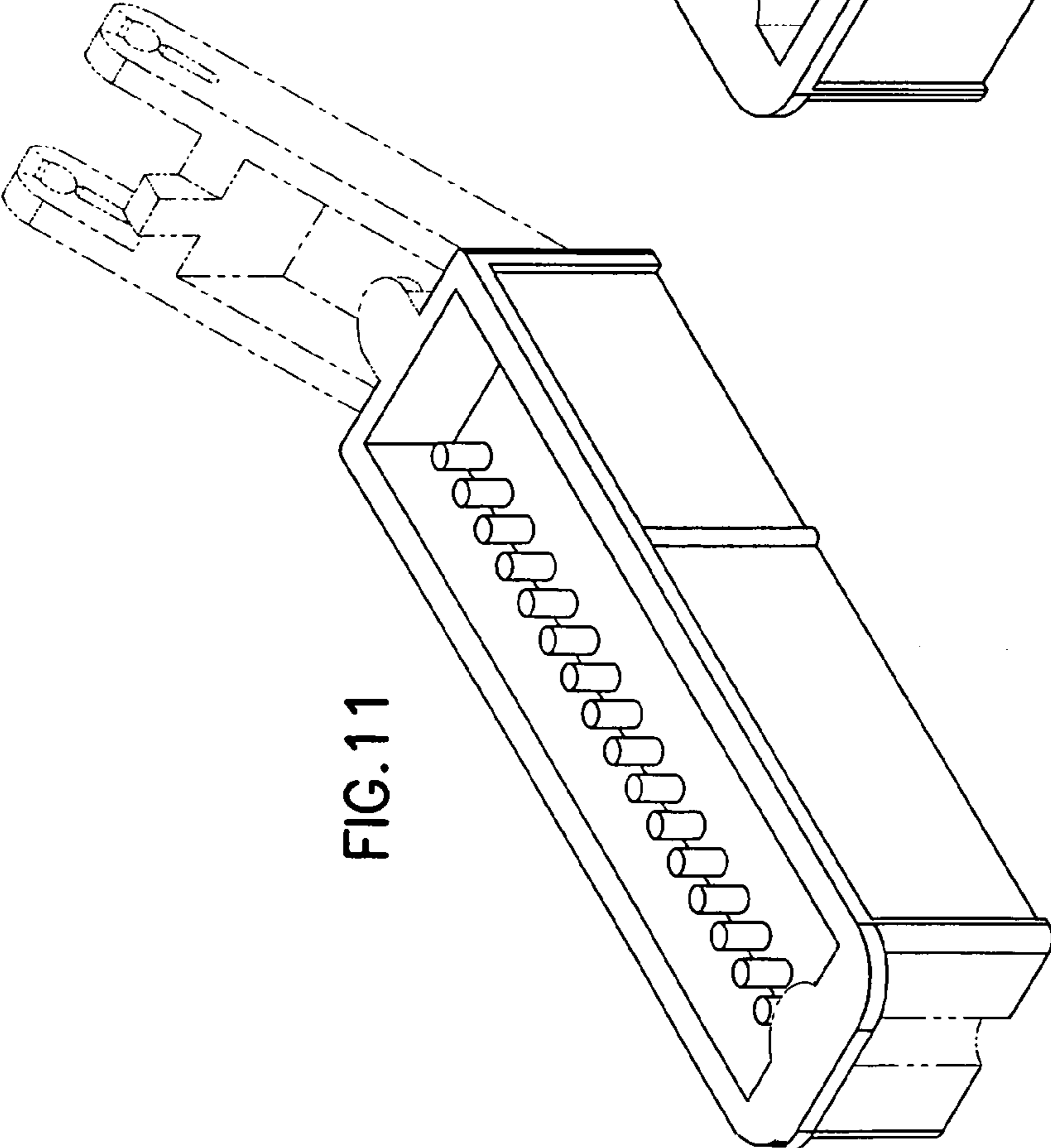


FIG. 11

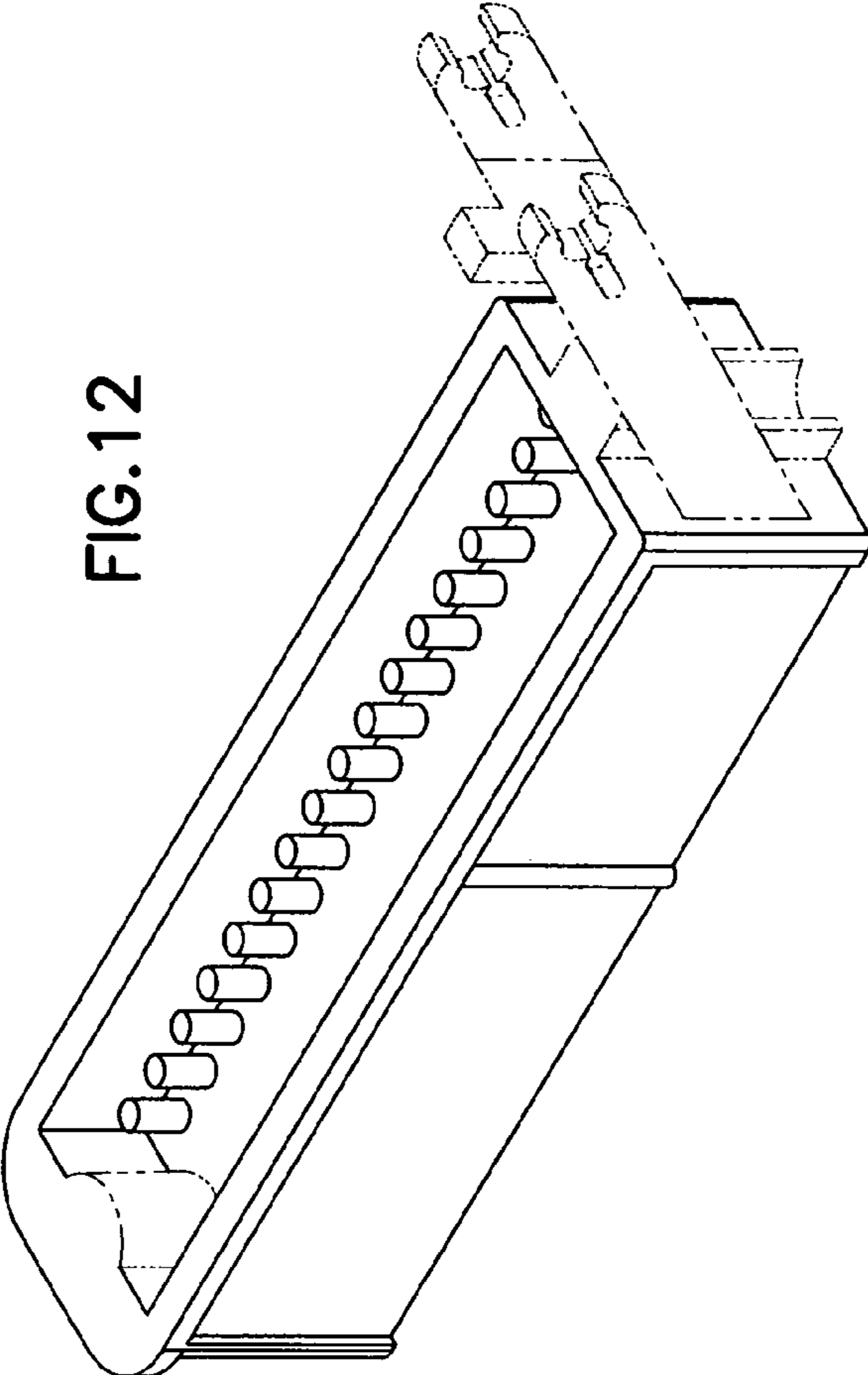


FIG. 12

FIG.13

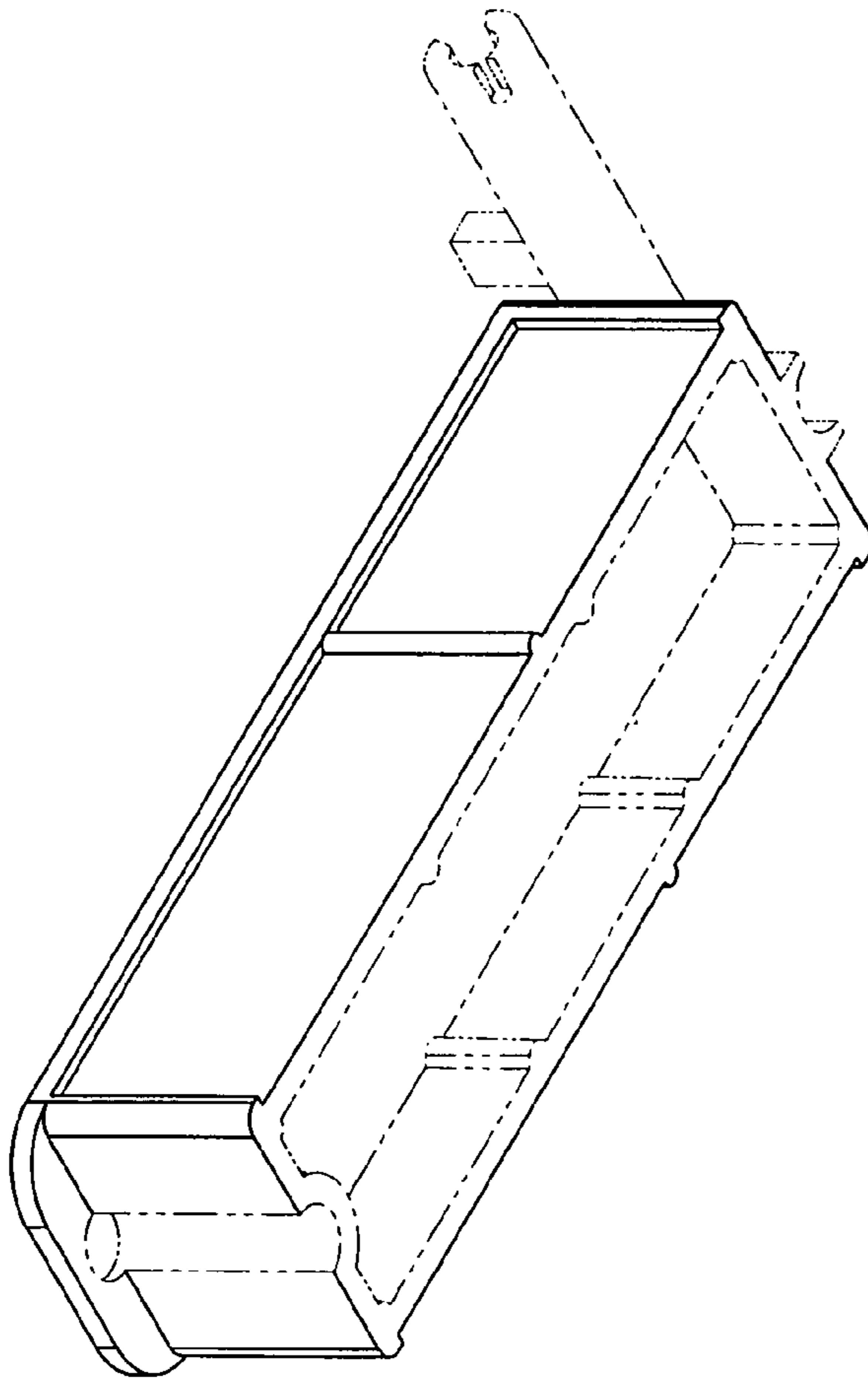
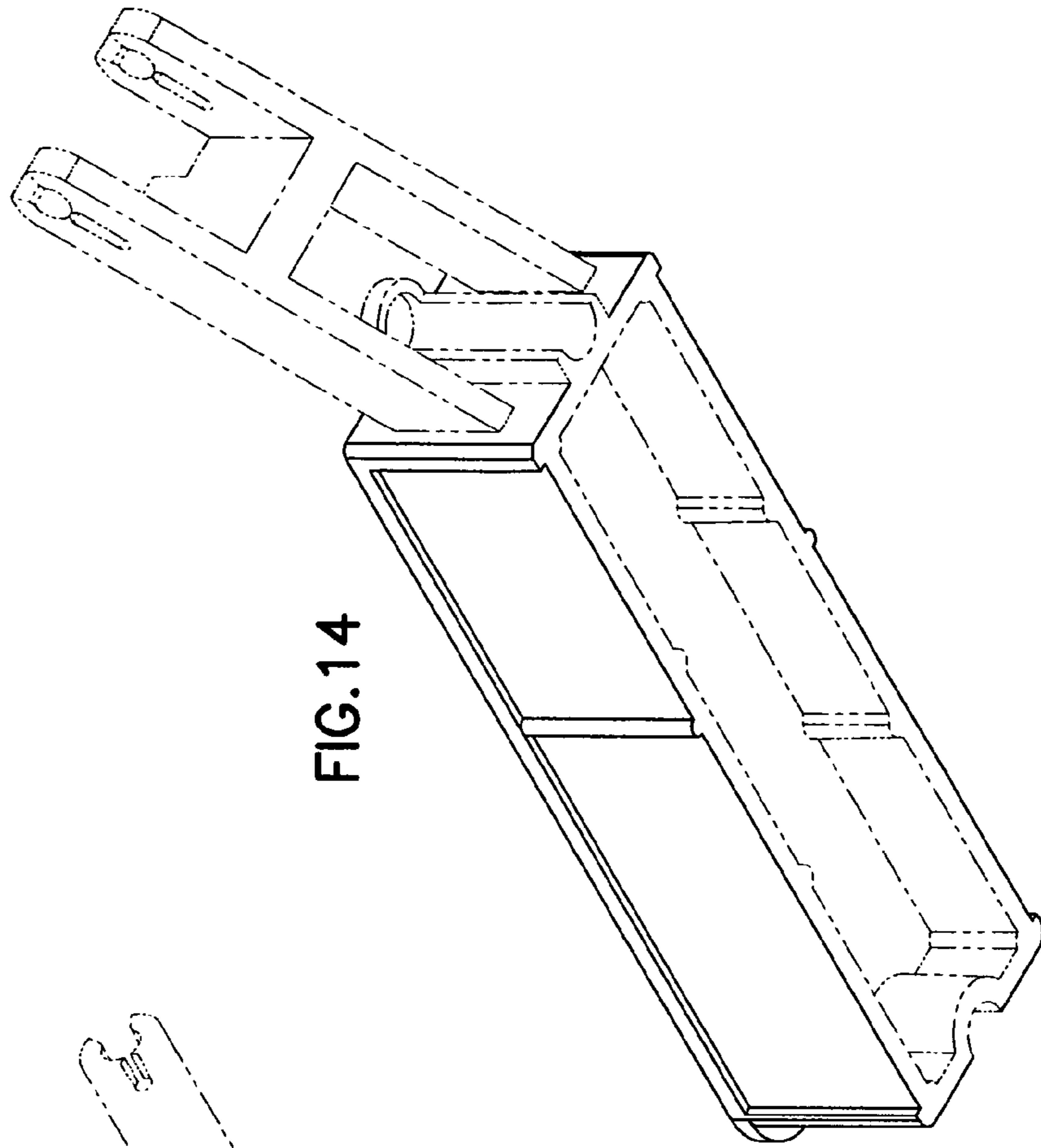


FIG.14



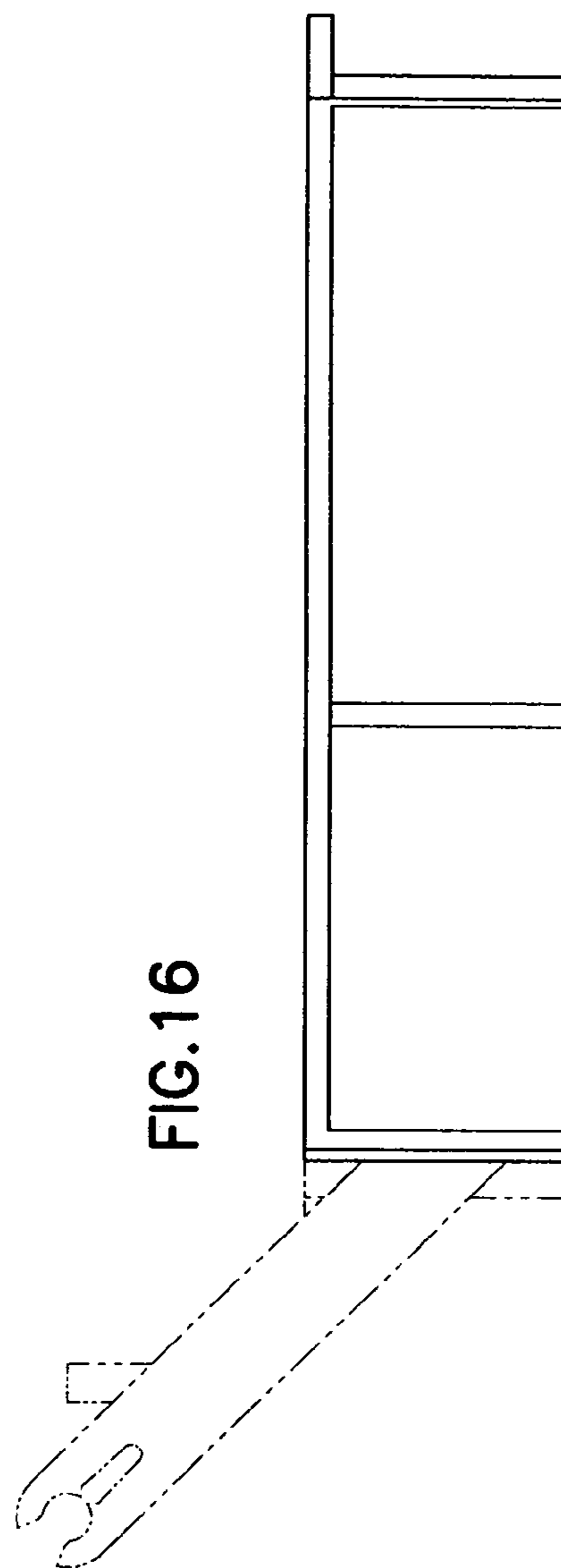
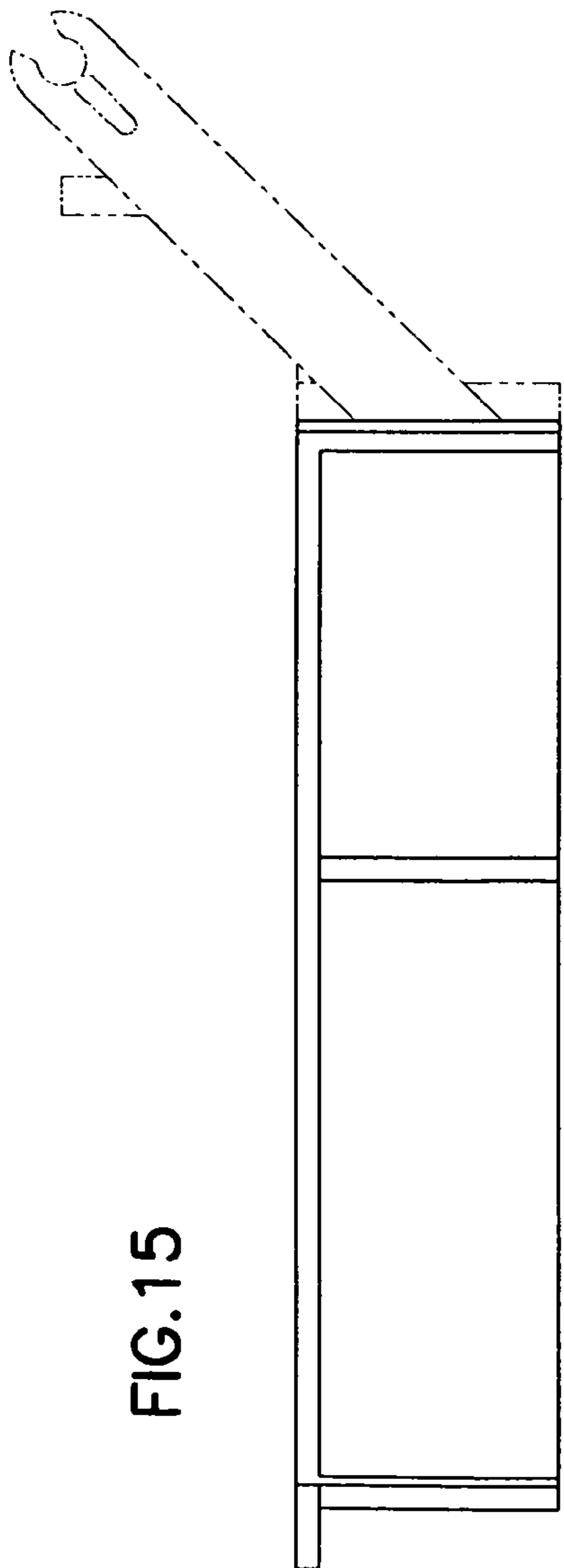


FIG.18

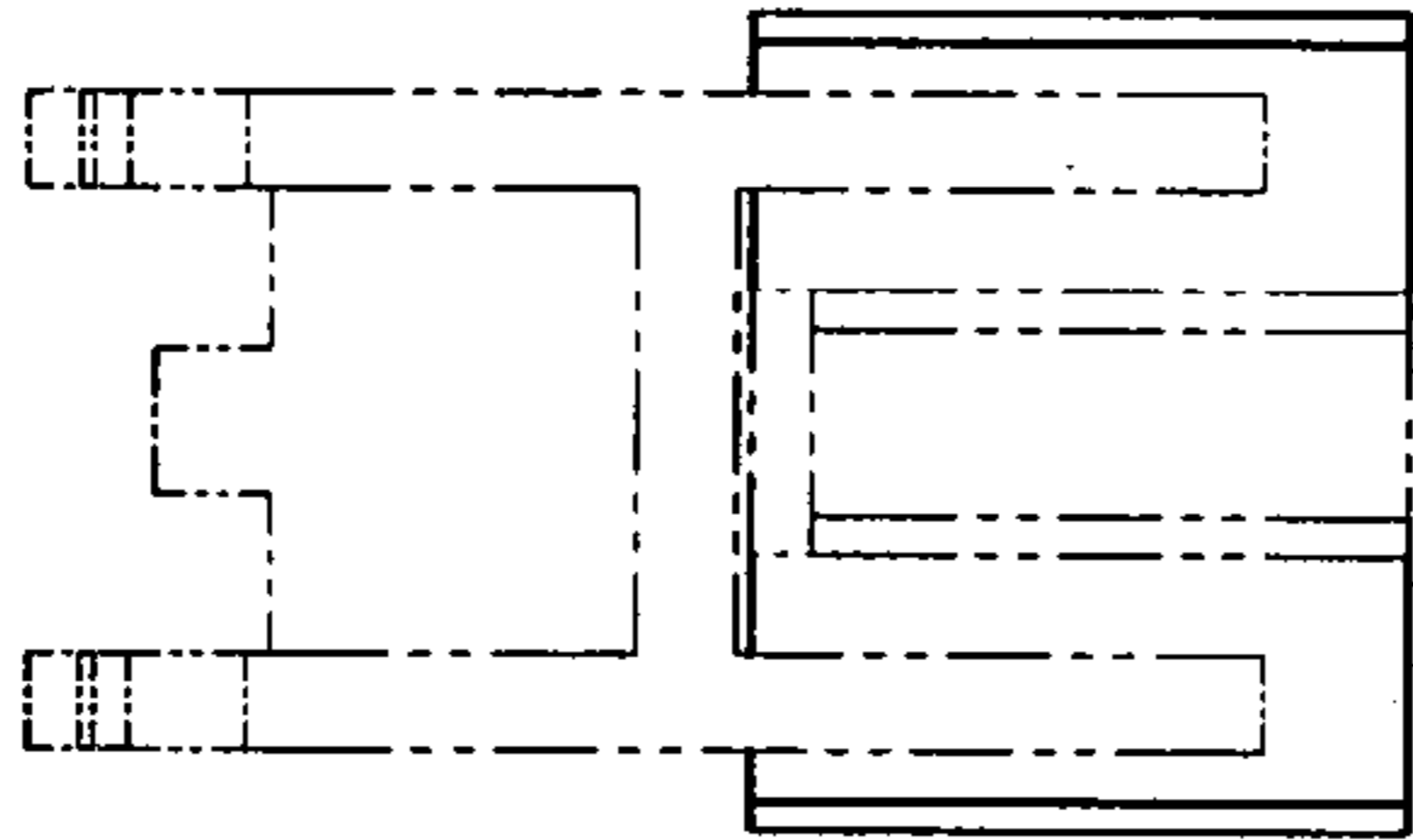
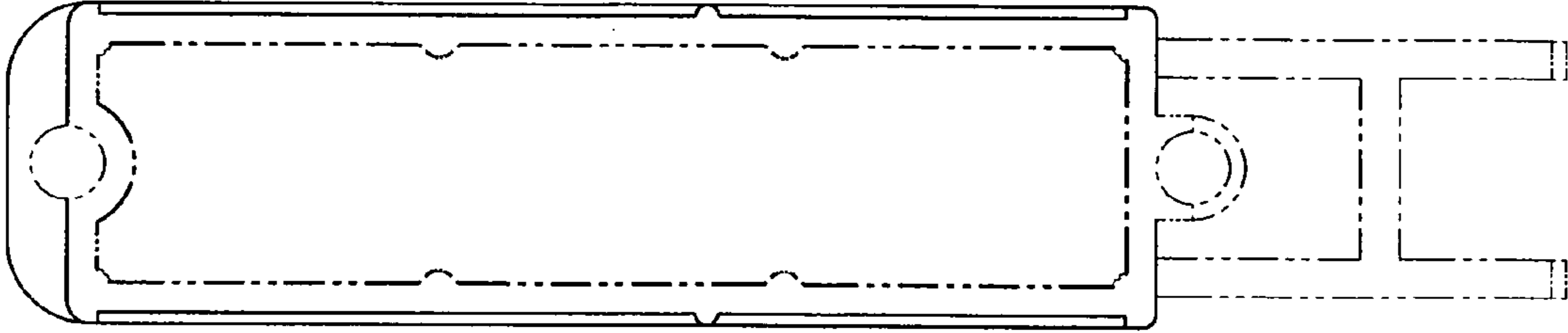


FIG.20

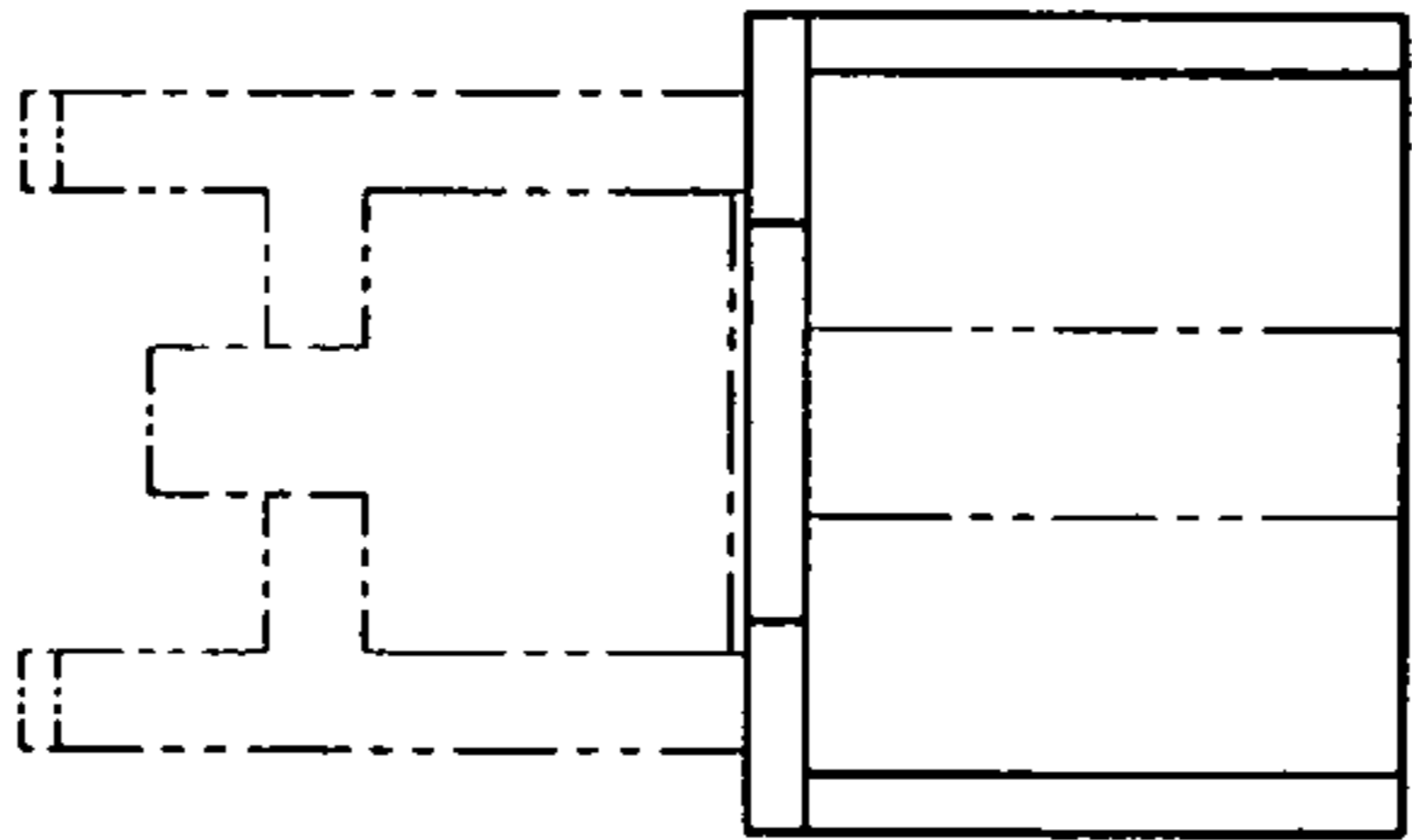


FIG.19

FIG.17

