

US00D575402S

(12) **United States Design Patent**
Sandor

(10) **Patent No.:** **US D575,402 S**

(45) **Date of Patent:** **** Aug. 19, 2008**

(54) **DISPOSABLE PROPHYLAXIS**

(76) **Inventor:** **Marilyn C. Sandor**, 21072 N. Hwy. 59,
Barrington, IL (US) 60010

(**) **Term:** **14 Years**

(21) **Appl. No.:** **29/230,581**

(22) **Filed:** **May 23, 2005**

(51) **LOC (8) Cl.** **24-02**

(52) **U.S. Cl.** **D24/146; D24/176**

(58) **Field of Classification Search** D24/105,
D24/11, 111, 146, 152, 176-182; 433/80,
433/82, 88, 103, 125

See application file for complete search history.

(56) **References Cited**

U.S. PATENT DOCUMENTS

D376,422 S * 12/1996 Bailey D24/111
5,692,901 A * 12/1997 Roth et al. 433/85

* cited by examiner

Primary Examiner—Ian Simmons

Assistant Examiner—Christopher Lee

(74) *Attorney, Agent, or Firm*—Oliff & Berridge, PLC

(57) **CLAIM**

The ornamental design for a disposable prophylaxis, as shown and described.

DESCRIPTION

FIG. 1 is a front elevational view of a disposable prophylaxis, the rear view being a mirror image thereof;

FIG. 2 is a top plan view thereof;

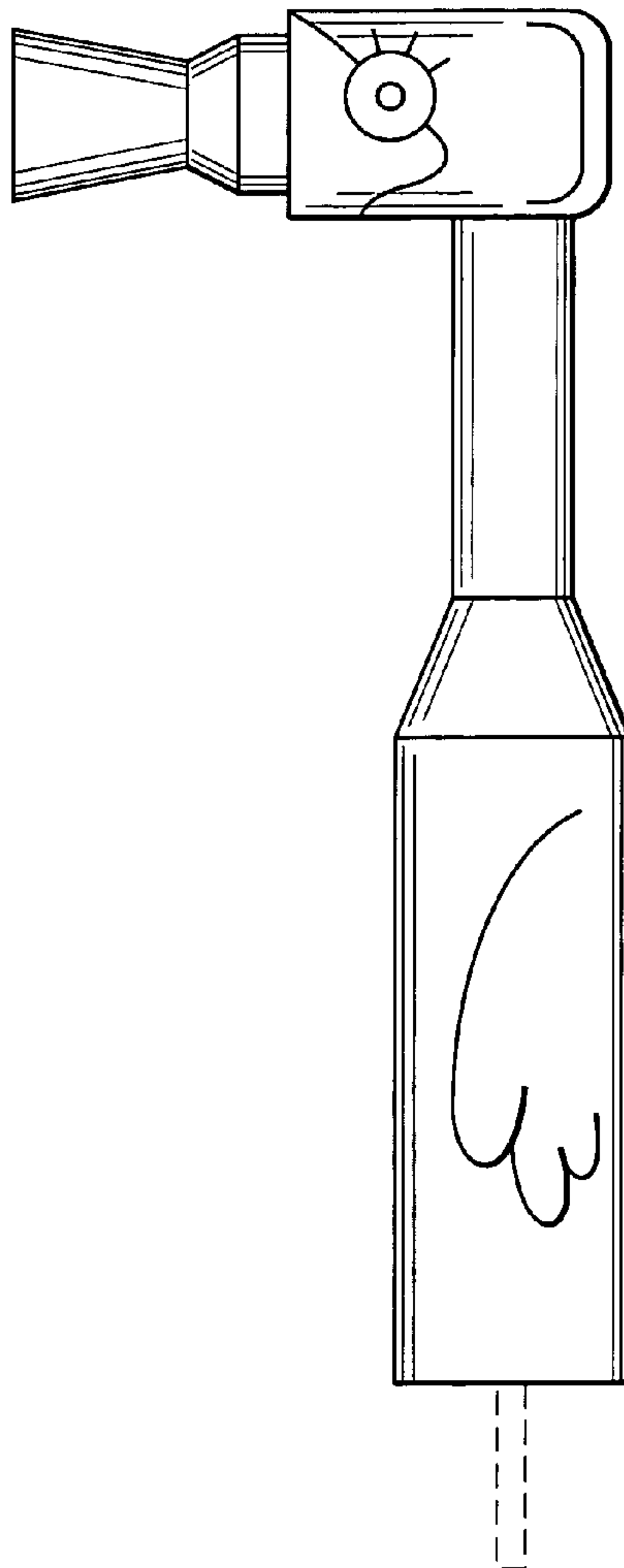
FIG. 3 is a bottom view thereof;

FIG. 4 is a left side view thereof; and,

FIG. 5 is a right side view thereof.

The broken lines depict environmental subject matter only and form no part of the claimed design.

1 Claim, 1 Drawing Sheet



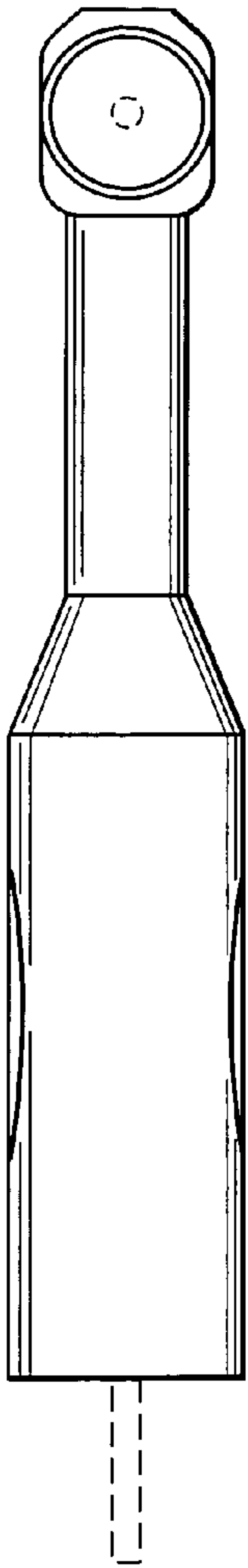


FIG. 2



FIG. 1

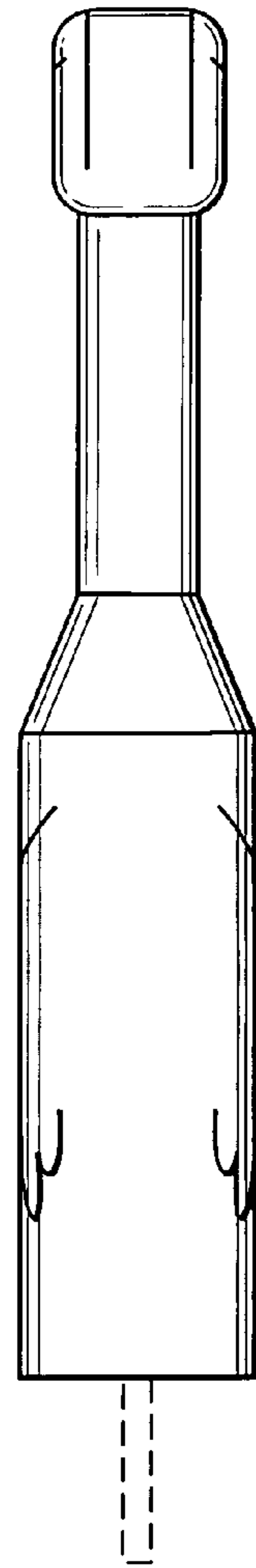


FIG. 3

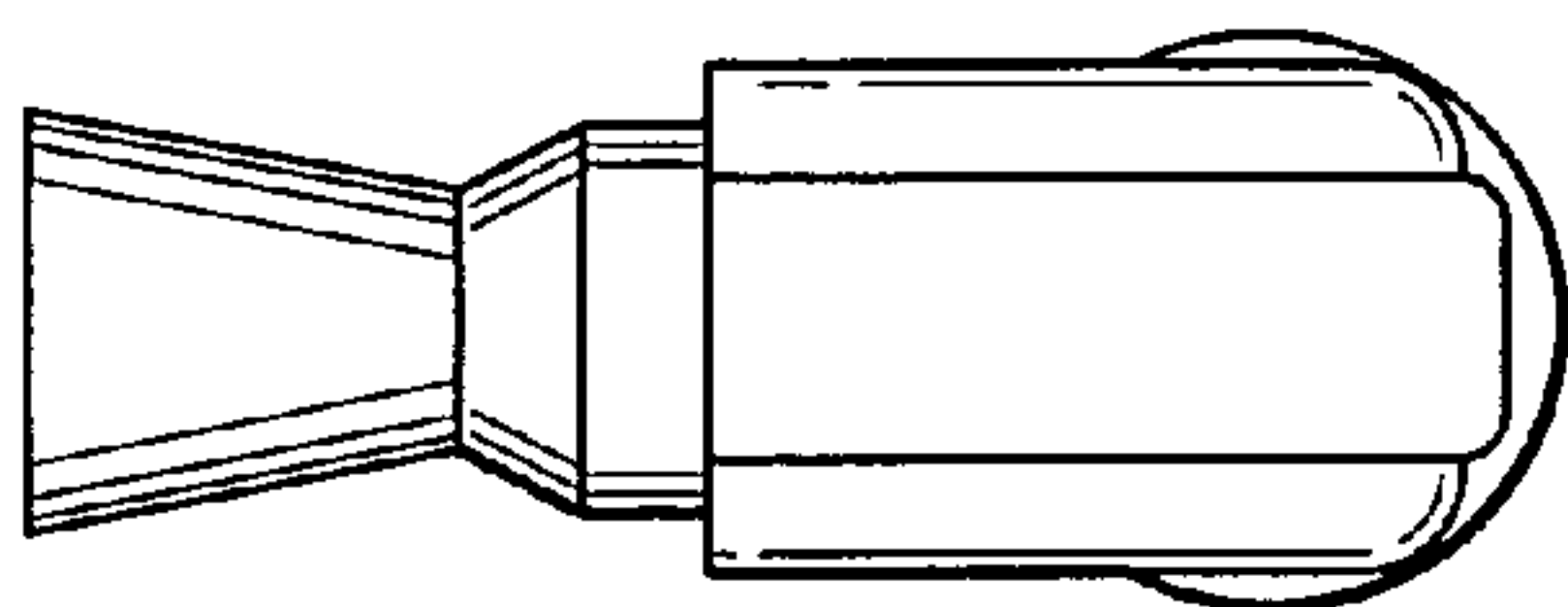


FIG. 4

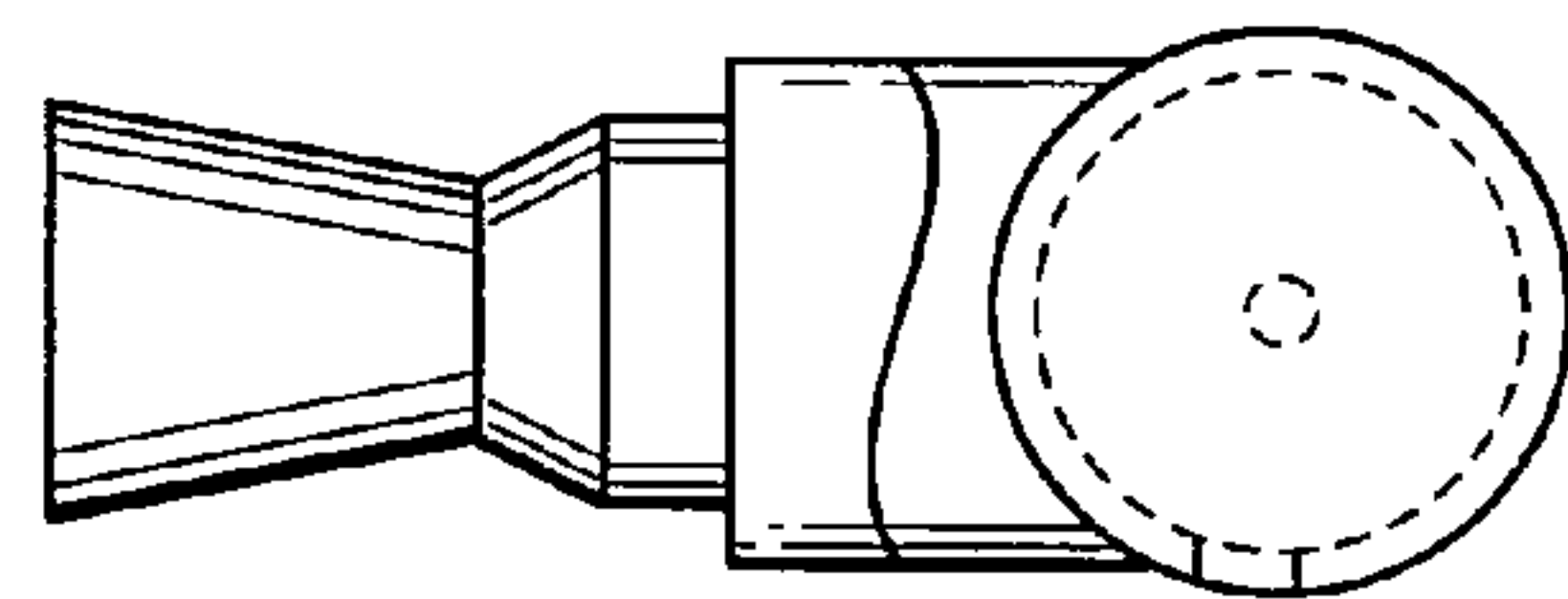


FIG. 5