



US00D575399S

(12) **United States Design Patent**  
**Matsumoto et al.**

(10) **Patent No.:** **US D575,399 S**

(45) **Date of Patent:** **\*\* Aug. 19, 2008**

(54) **ENDOSCOPE**

(75) Inventors: **Kazutaka Matsumoto**, Paramus, NJ  
(US); **Eijiro Sato**, Hachioji (JP); **Kaoru Tsuruoka**, Kawasaki (JP); **Masanori Yajima**, Hino (JP)

(73) Assignee: **Olympus Corporation**, Tokyo (JP)

(\*\*) Term: **14 Years**

(21) Appl. No.: **29/275,798**

(22) Filed: **Jan. 5, 2007**

**Related U.S. Application Data**

(62) Division of application No. 29/214,553, filed on Jun. 10, 2004, now Pat. No. Des. 549,332.

(30) **Foreign Application Priority Data**

Apr. 9, 2004 (JP) ..... 2004-011100  
Apr. 9, 2004 (JP) ..... 2004-011101

(51) **LOC (8) Cl.** ..... **24-02**

(52) **U.S. Cl.** ..... **D24/138**

(58) **Field of Classification Search** ..... D24/138;  
600/127, 129, 176, 178, 146  
See application file for complete search history.

(56) **References Cited**

**U.S. PATENT DOCUMENTS**

D227,505 S 6/1973 Frey ..... D16/234

5,662,588 A 9/1997 Iida ..... 600/121  
D435,909 S 1/2001 Ogino et al. .... D24/138  
D440,659 S 4/2001 Ogino et al. .... D24/138  
D498,846 S 11/2004 Hayamizu et al. .... D24/138  
2004/0242963 A1 12/2004 Matsumoto et al. .... 600/127  
2005/0137459 A1 6/2005 Chin et al. .... 600/179

*Primary Examiner*—Ian Simmons

*Assistant Examiner*—Christopher Lee

(74) *Attorney, Agent, or Firm*—Hogan & Hartson LLP

(57) **CLAIM**

The ornamental design for an endoscope, as shown and described.

**DESCRIPTION**

FIG. 1 is a perspective view of our new design:

FIG. 2 is a top plan view thereof; the portion marked off with two vertical parallel broken lines has been shown shorter;

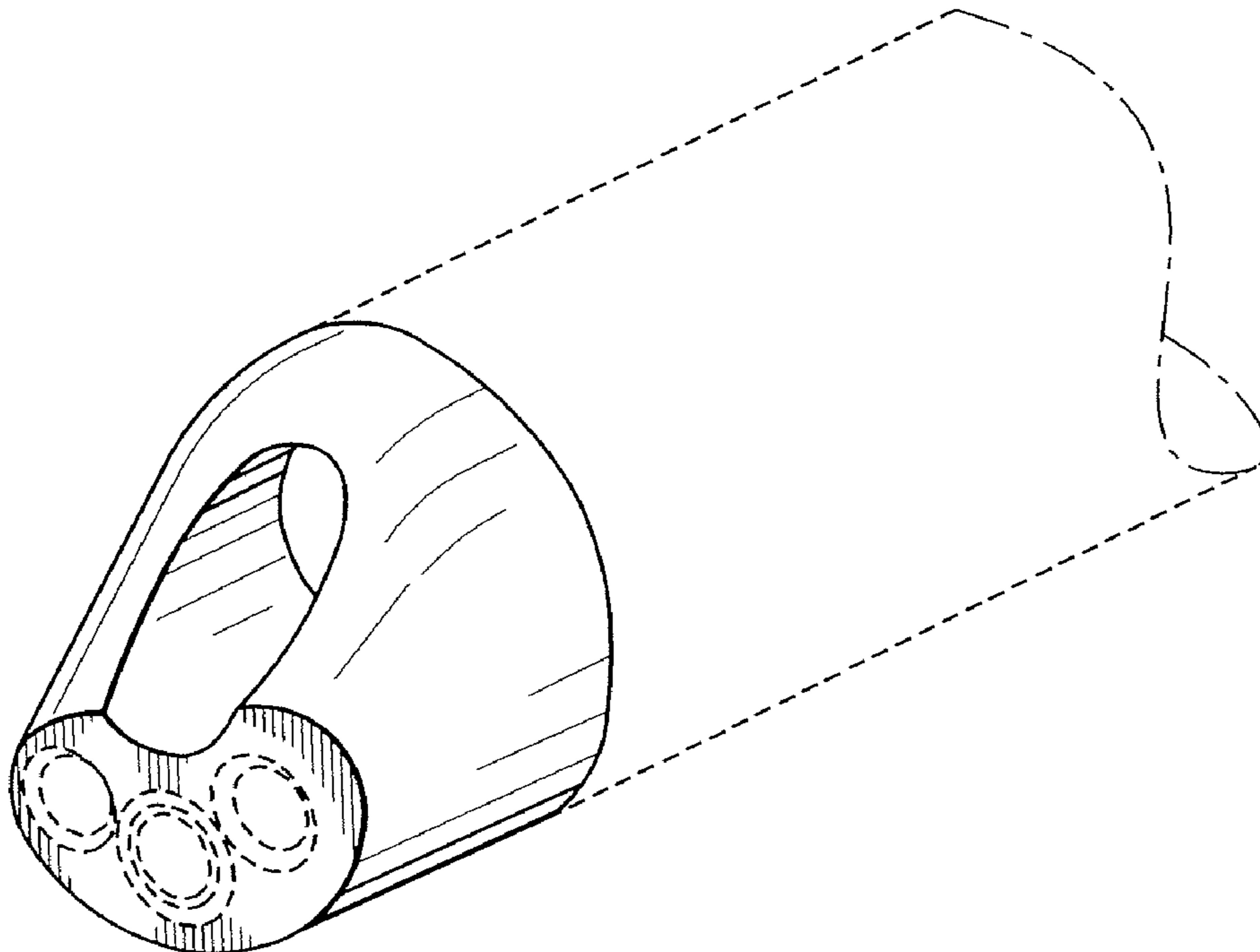
FIG. 3 is a front elevational view thereof; the portion marked off with two vertical parallel broken lines has been shown shorter;

FIG. 4 is a bottom plan view thereof; the portion marked off with two vertical parallel broken lines has been shown shorter;

FIG. 5 is a rear elevational view thereof: the portion marked off with two vertical parallel broken lines has been shown shorter; and,

FIG. 6 is a right side elevational view thereof.

**1 Claim, 6 Drawing Sheets**



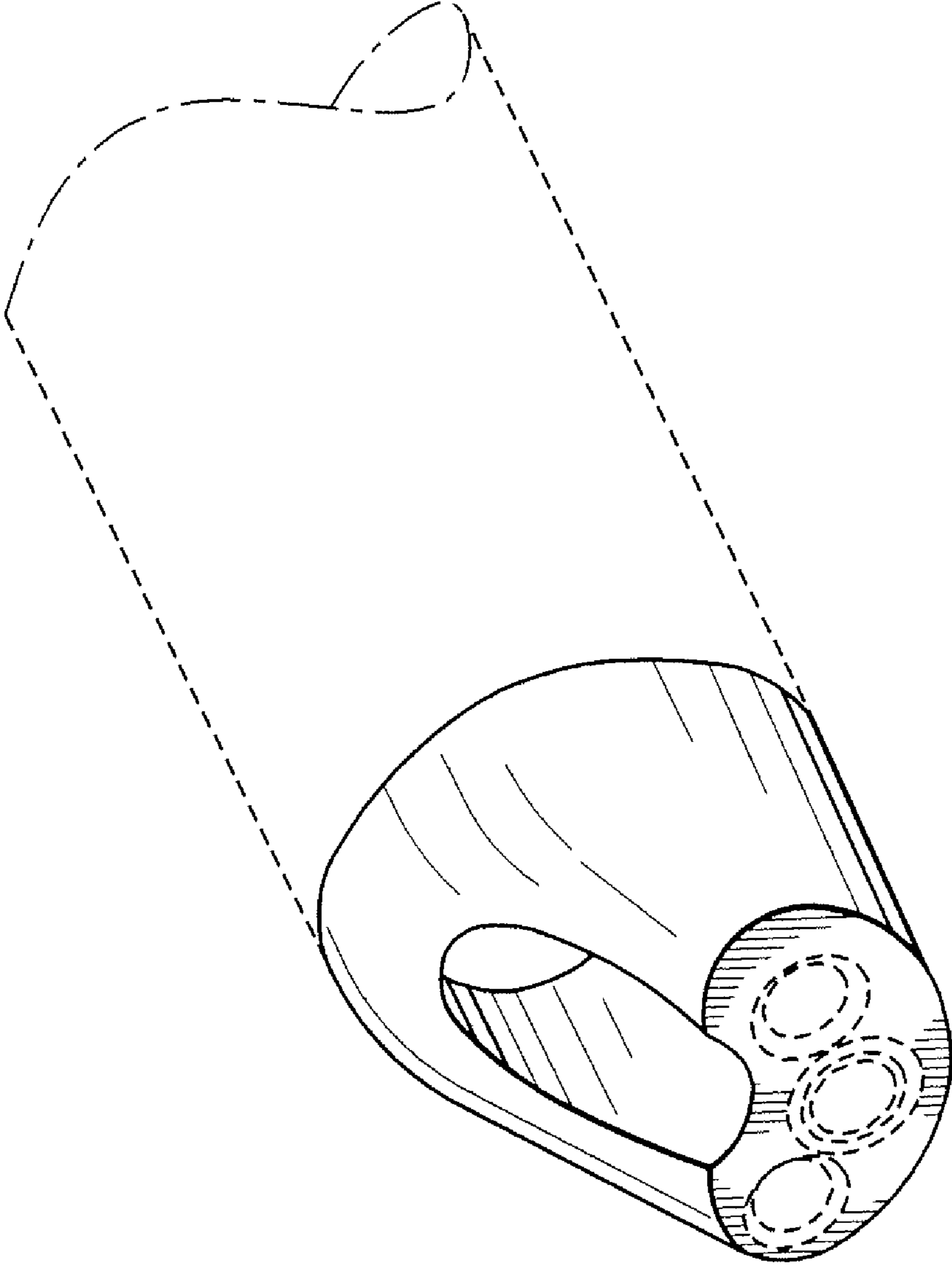


FIG. 1

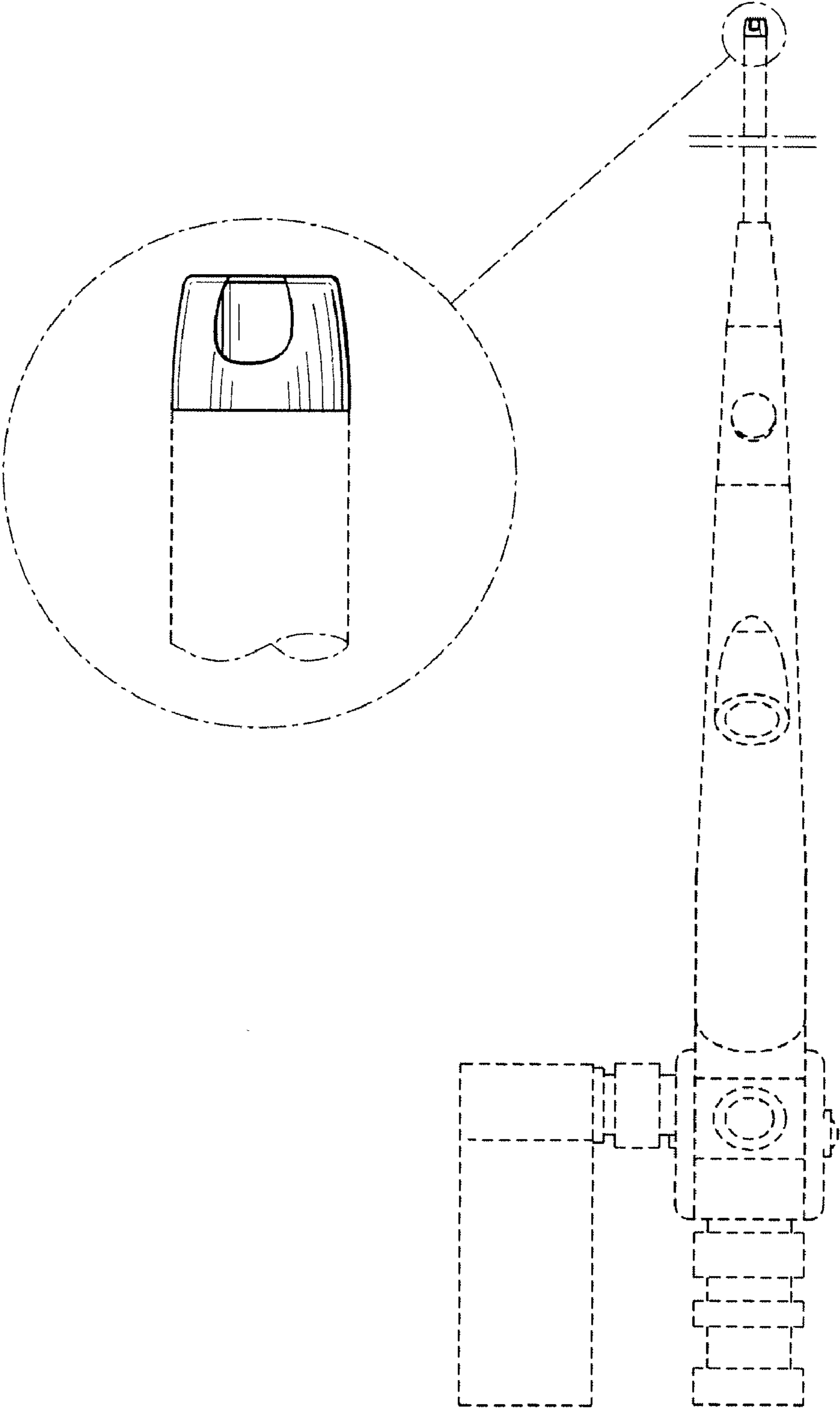


FIG. 2

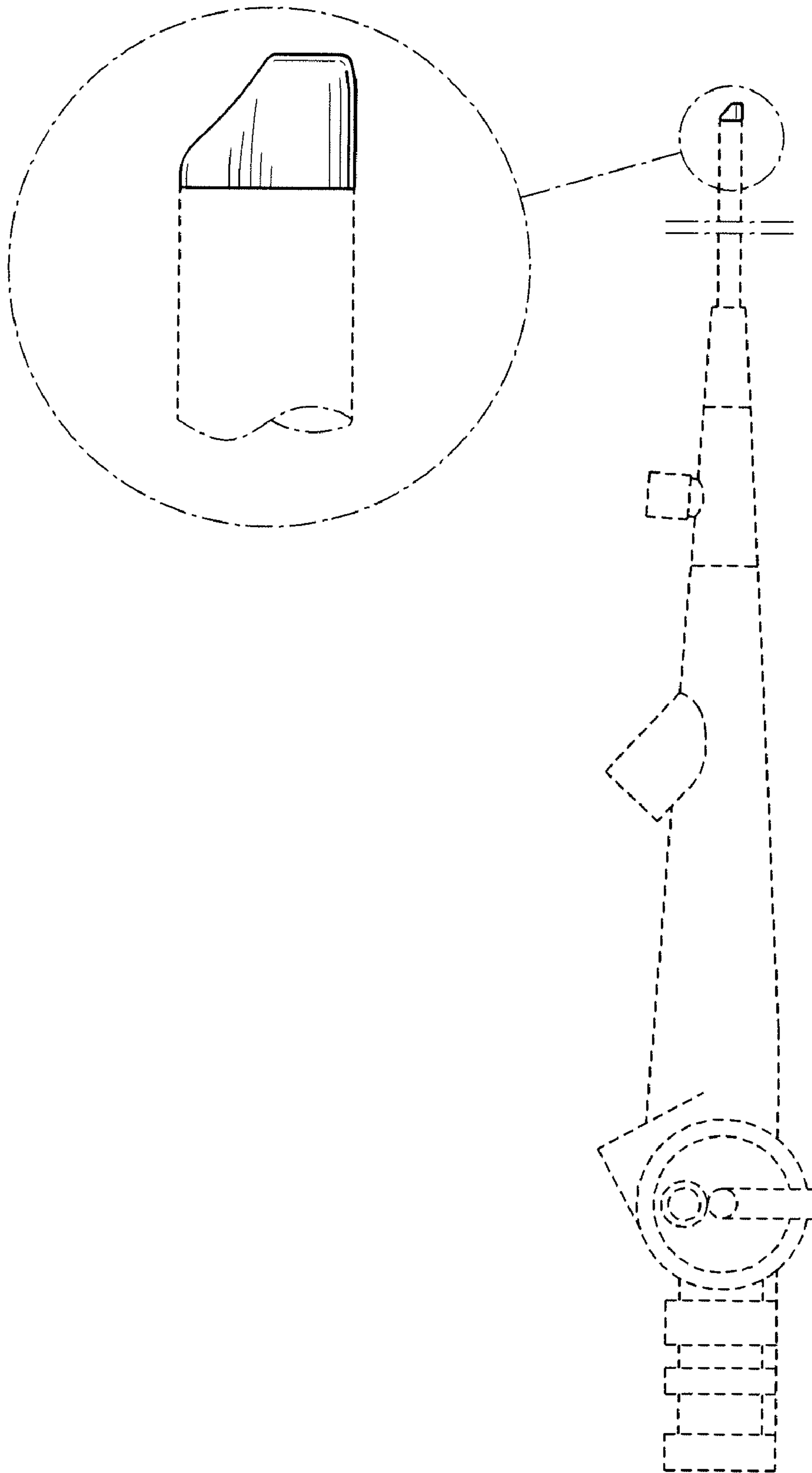


FIG. 3

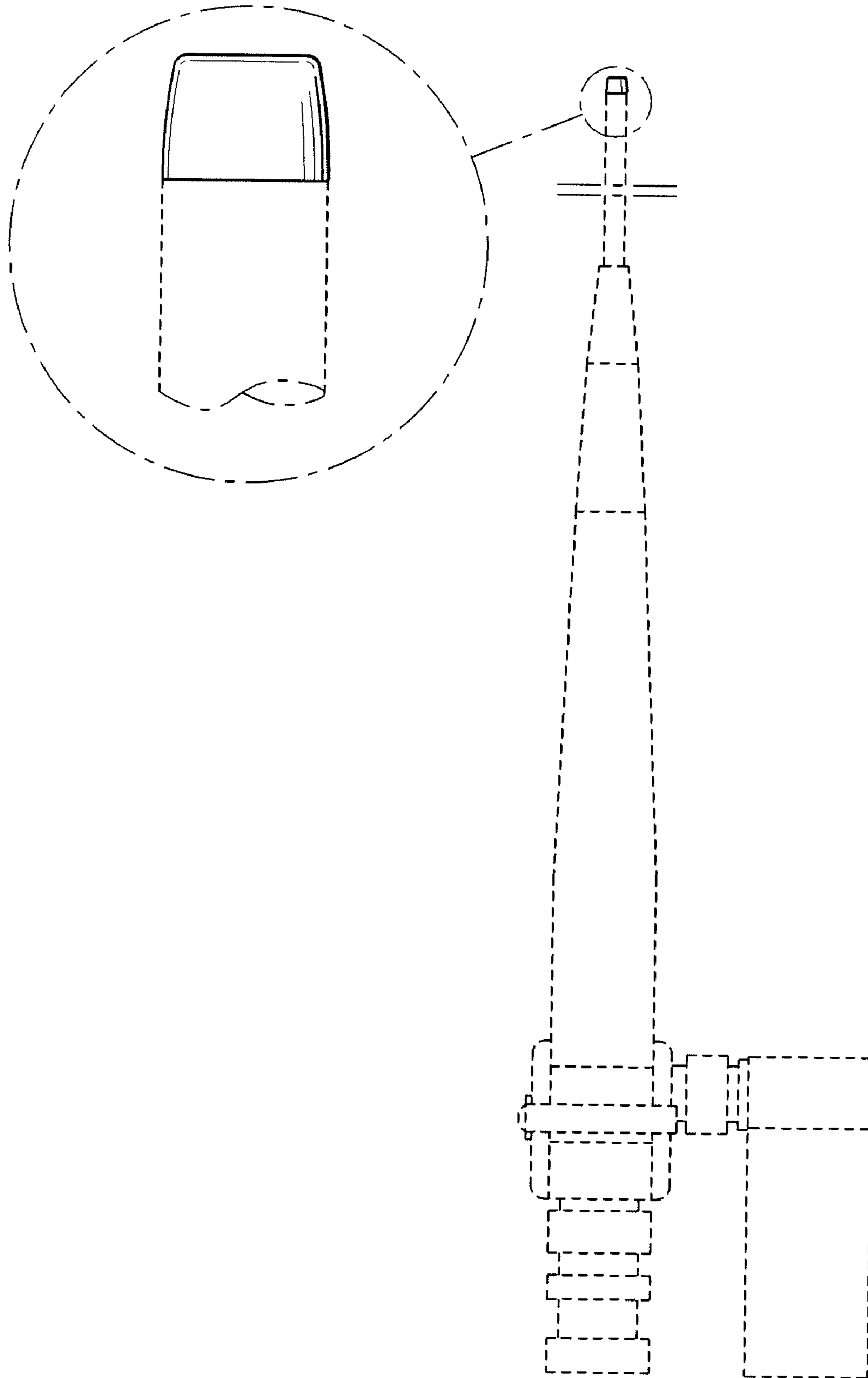


FIG. 4

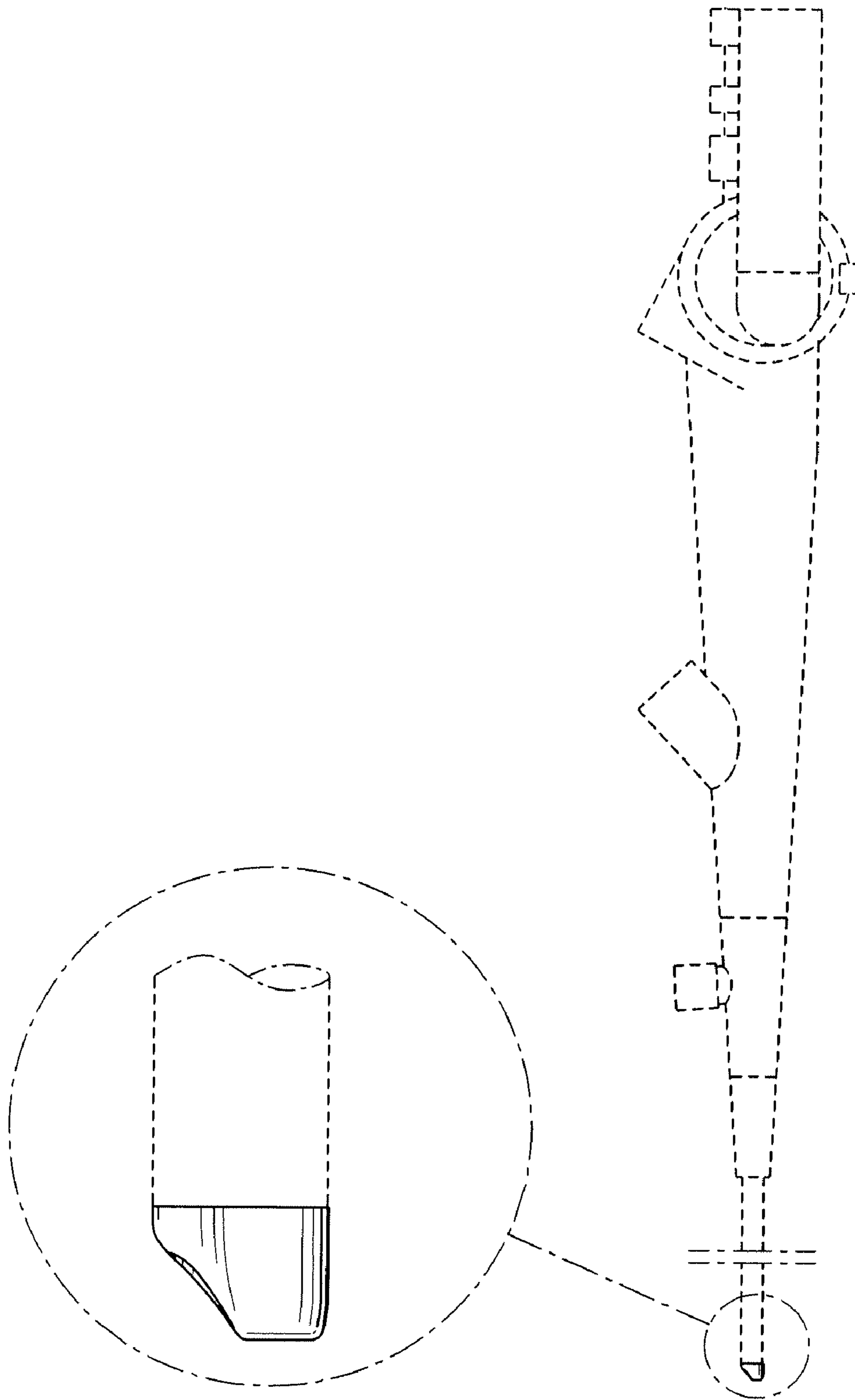


FIG. 5

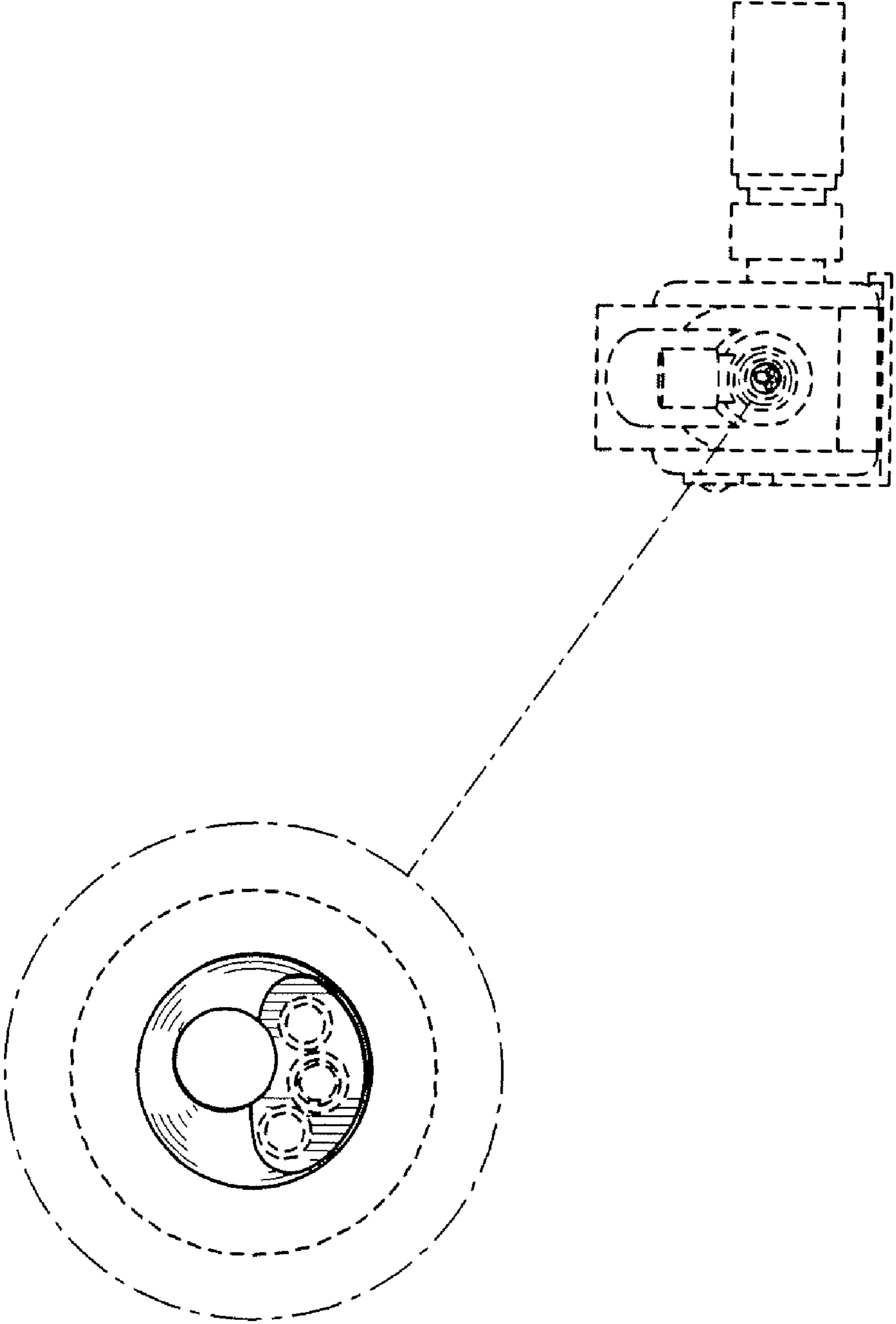


FIG. 6