

US00D575394S

(12) **United States Design Patent**
Bloom

(10) **Patent No.:** **US D575,394 S**

(45) **Date of Patent:** **** Aug. 19, 2008**

(54) **SYRINGE INSERT**

(75) Inventor: **Adam Bloom**, Elstree (GB)

(73) Assignee: **IT Pharma LLP**, London (GB)

(**) Term: **14 Years**

(21) Appl. No.: **29/286,881**

(22) Filed: **May 21, 2007**

(30) **Foreign Application Priority Data**

Nov. 21, 2006 (EM) 000626288

(51) **LOC (8) Cl.** **24-21**

(52) **U.S. Cl.** **D24/130**

(58) **Field of Classification Search** D24/112,
D24/114, 130; 604/195, 181, 110, 130, 87,
604/227, 232, 228, 191, 220, 222, 224, 218,
604/208; 128/DIG. 1

See application file for complete search history.

(56) **References Cited**

U.S. PATENT DOCUMENTS

6,464,663	B1 *	10/2002	Zinger	604/82
6,482,186	B1 *	11/2002	Douglas et al.	604/218
6,793,660	B2 *	9/2004	Kerr et al.	606/93
6,796,959	B2 *	9/2004	Davis et al.	604/97.03
6,899,699	B2 *	5/2005	Enggaard	604/246
2005/0055011	A1 *	3/2005	Enggaard	604/500
2005/0154352	A1 *	7/2005	Gurtner et al.	604/208
2005/0209564	A1 *	9/2005	Bonner et al.	604/173
2006/0041243	A1 *	2/2006	Nayak et al.	604/506

2006/0264837 A1 * 11/2006 Bloom et al. 604/208
2006/0276754 A1 * 12/2006 Kronstedt et al. 604/186

* cited by examiner

Primary Examiner—Louis S Zarfaz

Assistant Examiner—Eric L Goodman

(74) *Attorney, Agent, or Firm*—Marshall Gerstein & Borun LLP

(57) **CLAIM**

The ornamental design for a syringe insert, as shown and described.

DESCRIPTION

FIG. 1 is a perspective view showing the new design for a syringe insert;

FIG. 2 is a rear view of the syringe insert of FIG. 1;

FIG. 3 is a front view of the syringe insert of FIG. 1;

FIG. 4 is a right side view of the syringe insert of FIG. 1;

FIG. 5 is a left side view of the syringe insert of FIG. 1;

FIG. 6 is bottom plan view of the syringe insert of FIG. 1;

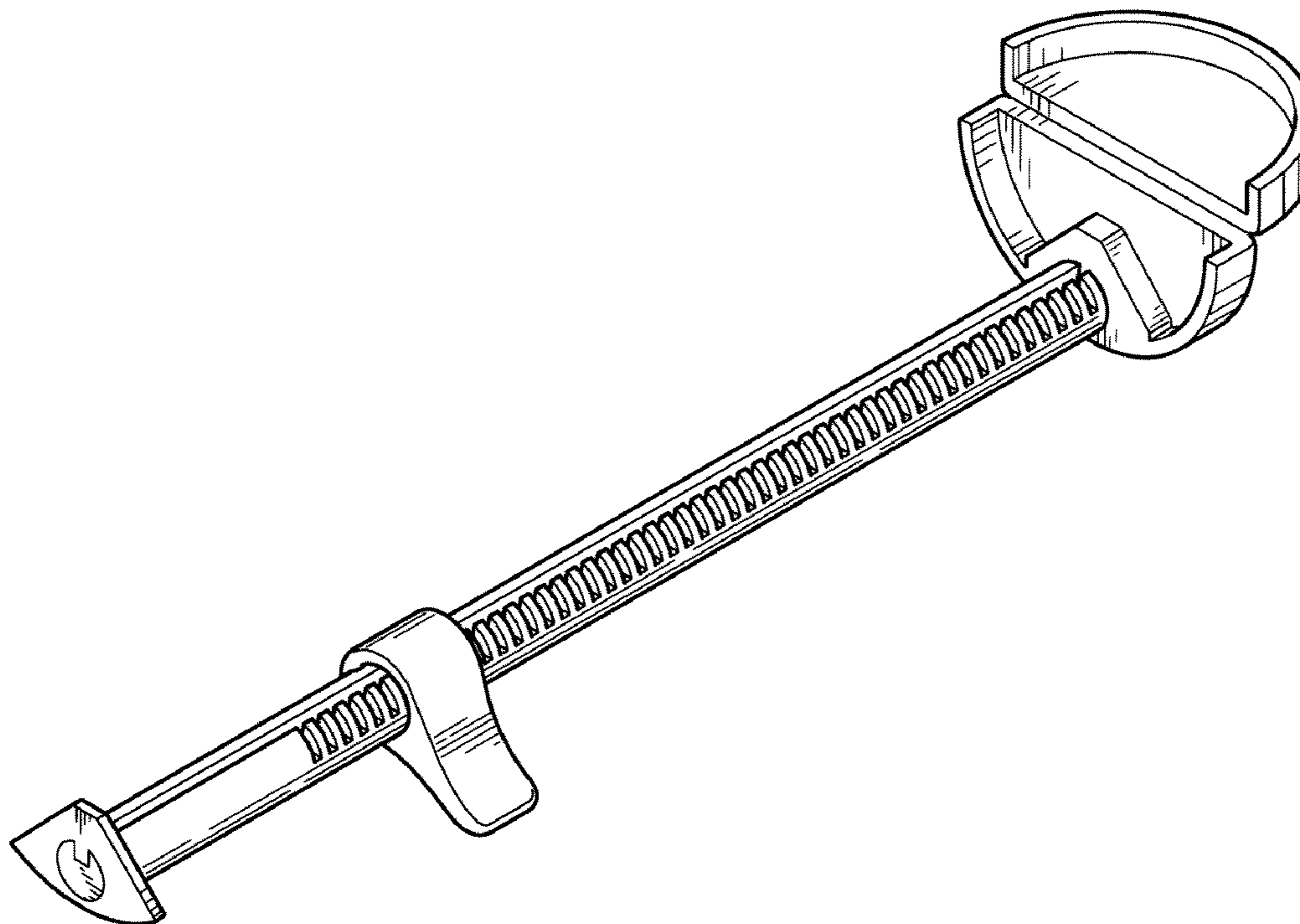
FIG. 7 is a top plan view of the syringe insert of FIG. 1;

FIG. 8 is a perspective view opposite the view of the syringe insert of FIG. 1;

FIG. 9 is an enlarged perspective view of the lower part of the syringe insert of FIG. 10; and,

FIG. 10 is an enlarged perspective view of the syringe insert in FIG. 9.

1 Claim, 5 Drawing Sheets



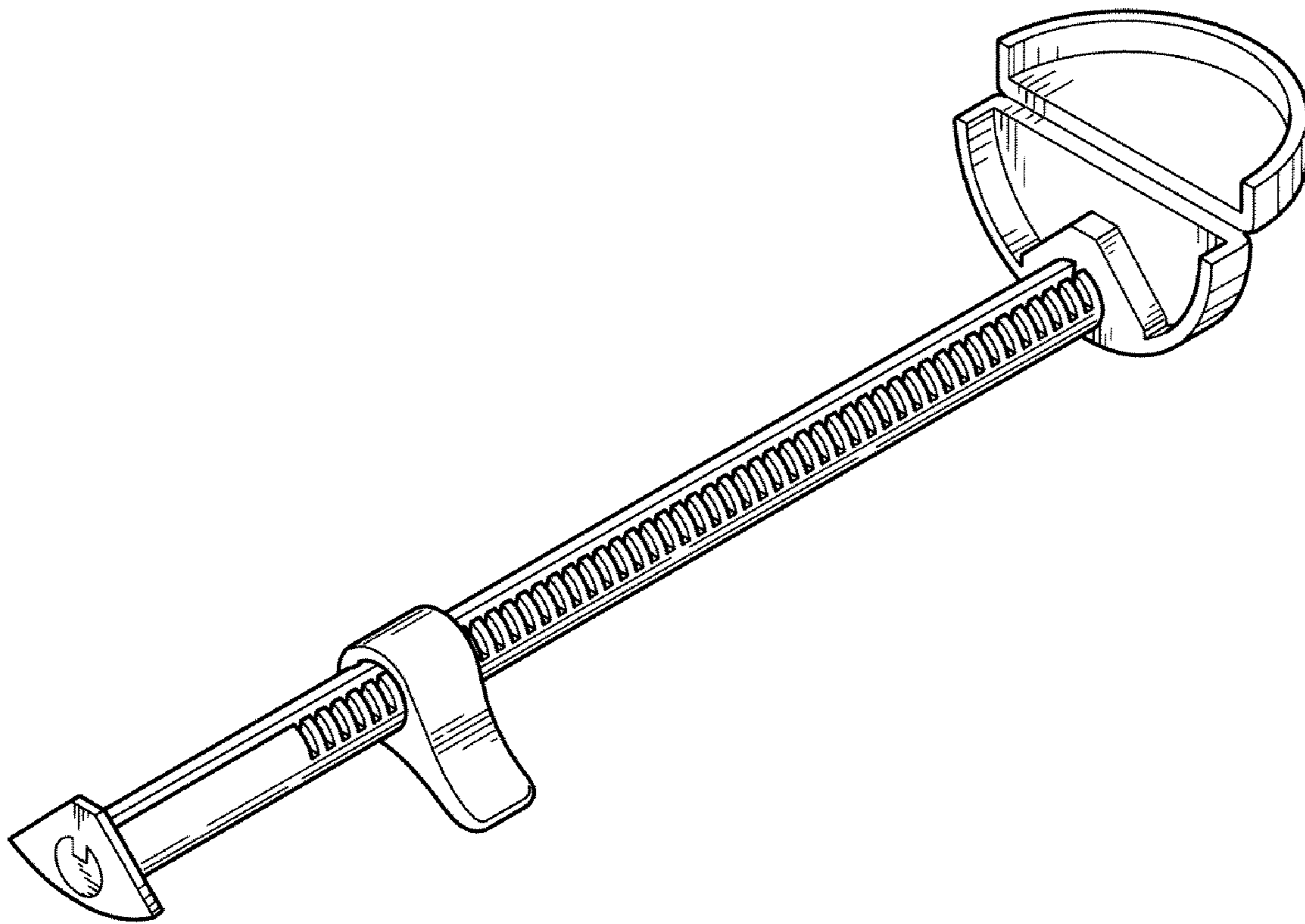


FIG. 1



FIG. 2

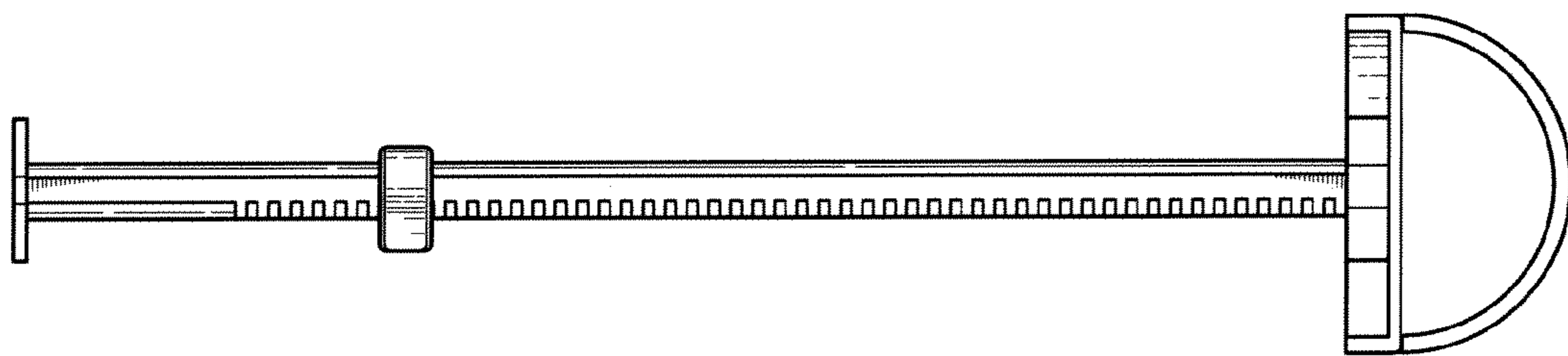


FIG. 3

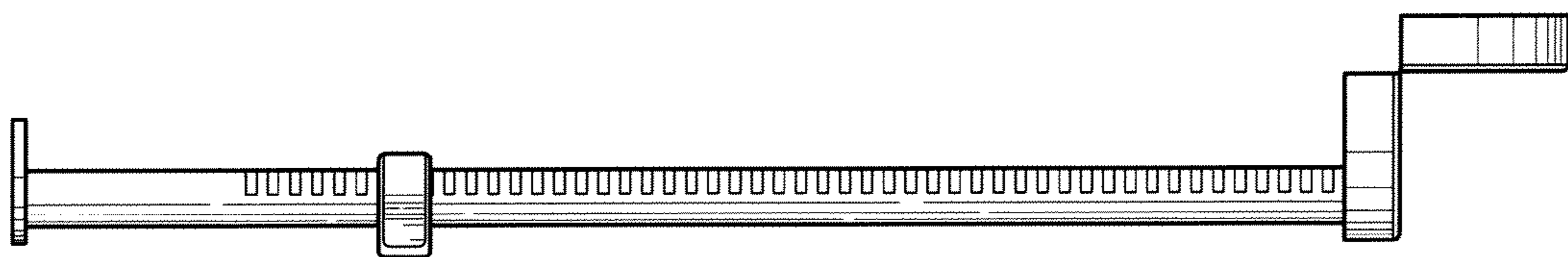


FIG. 4

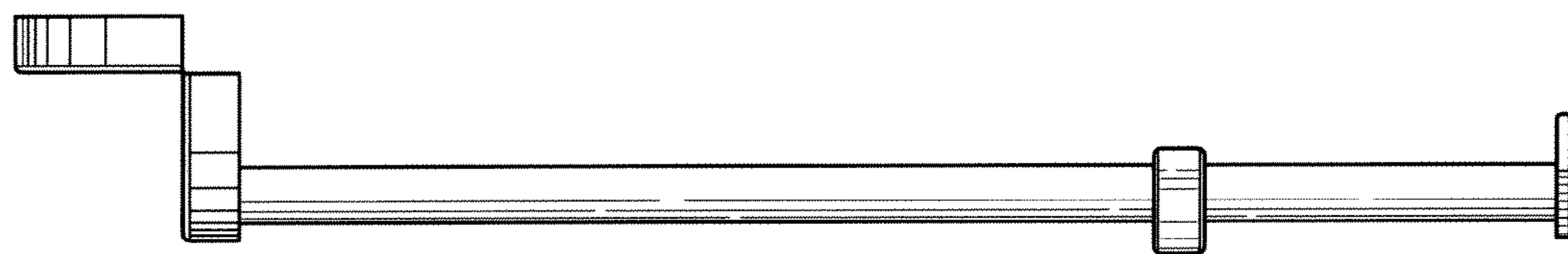


FIG. 5

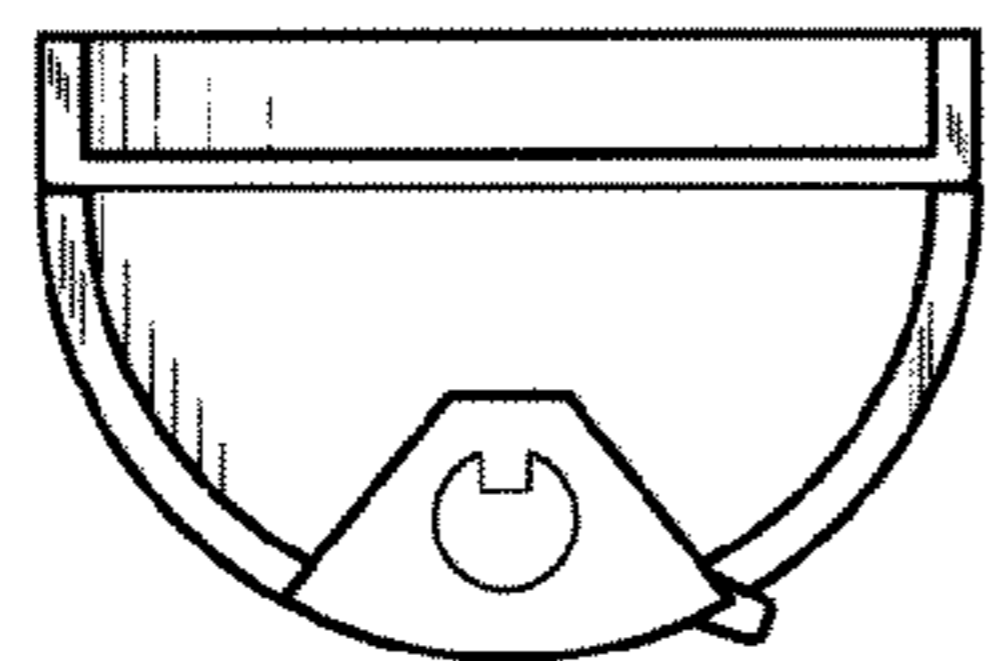


FIG. 6

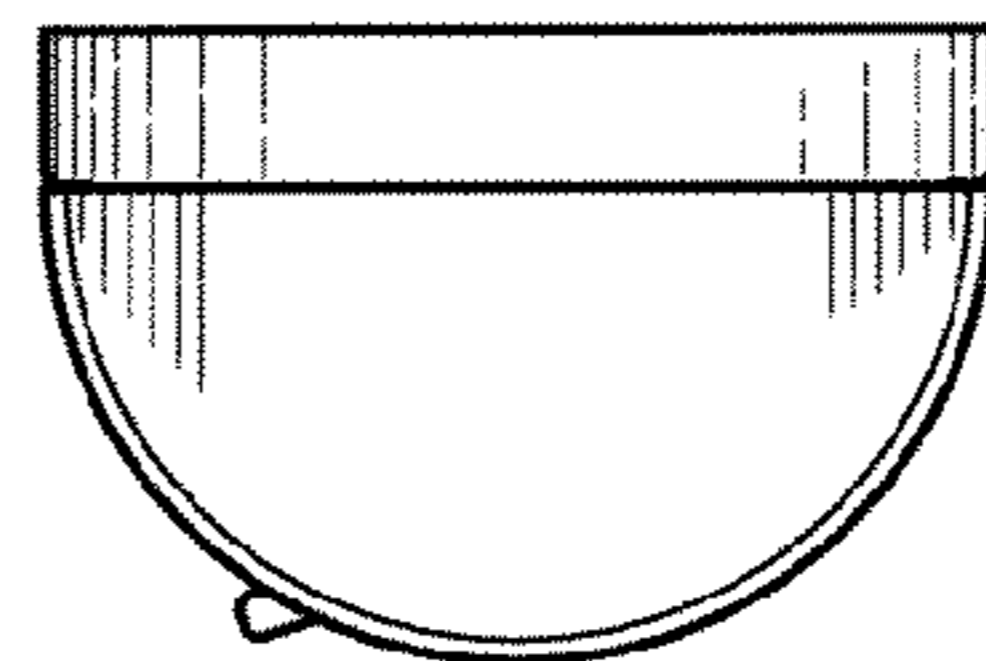


FIG. 7

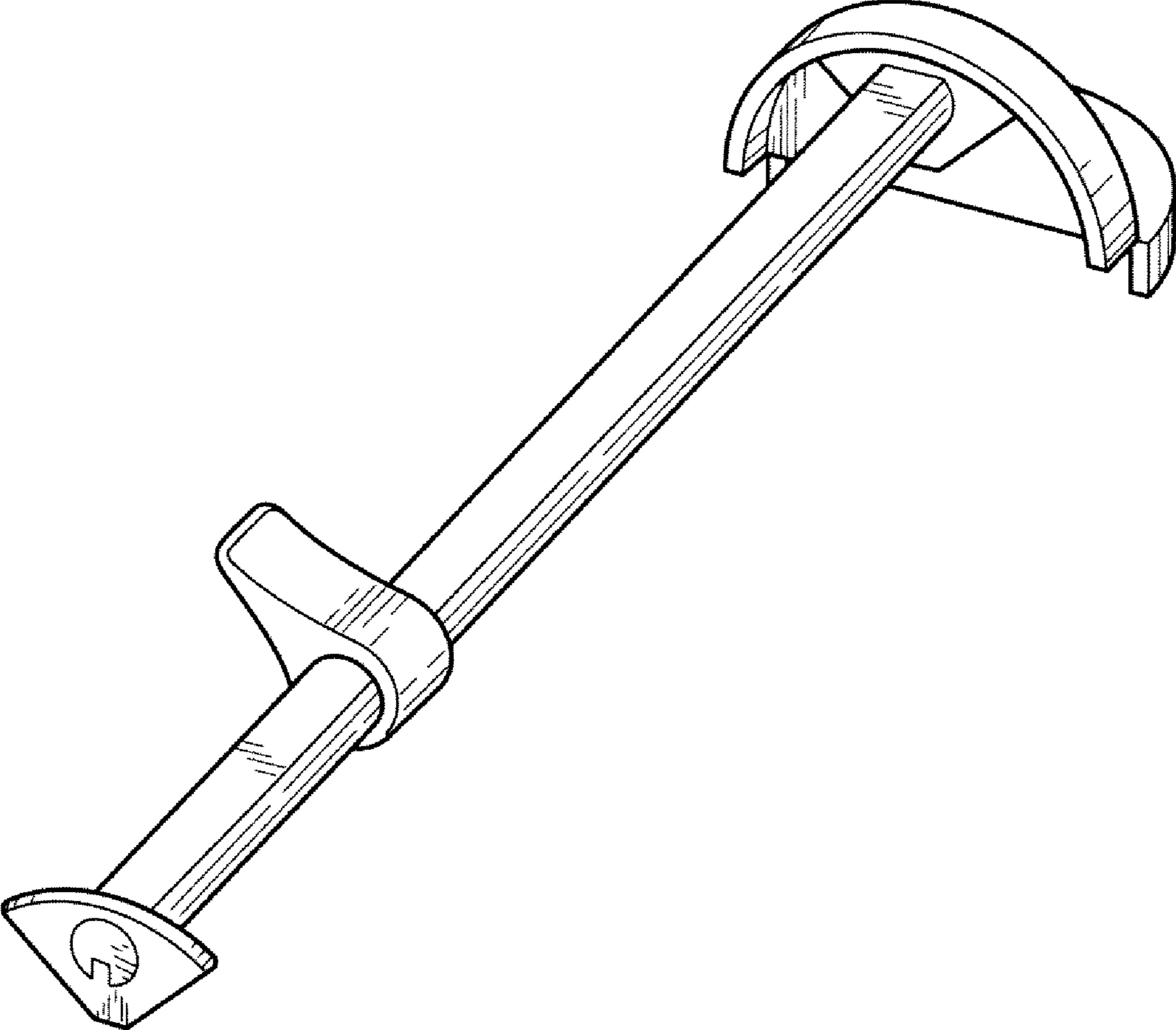


FIG. 8

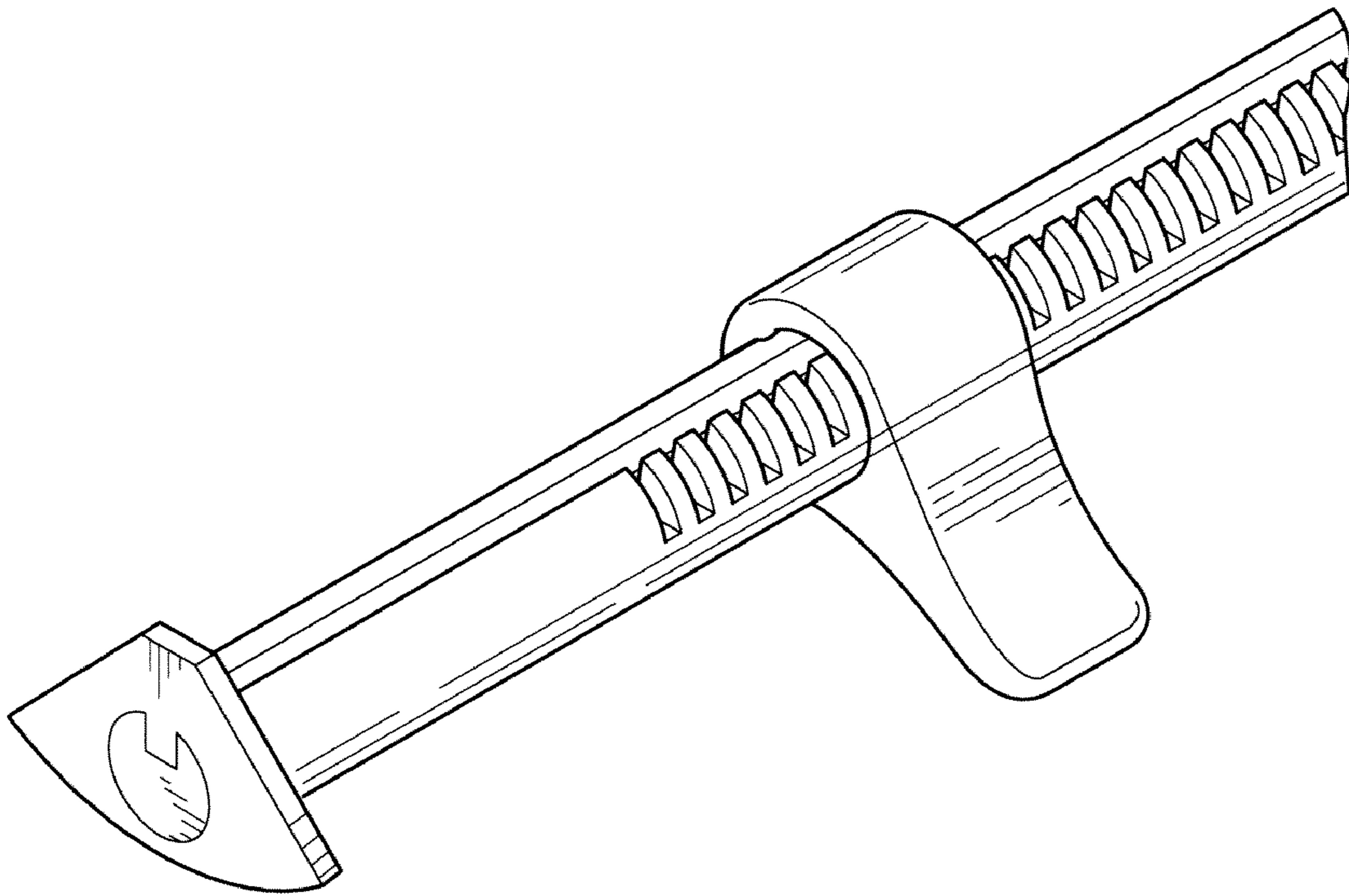


FIG. 9

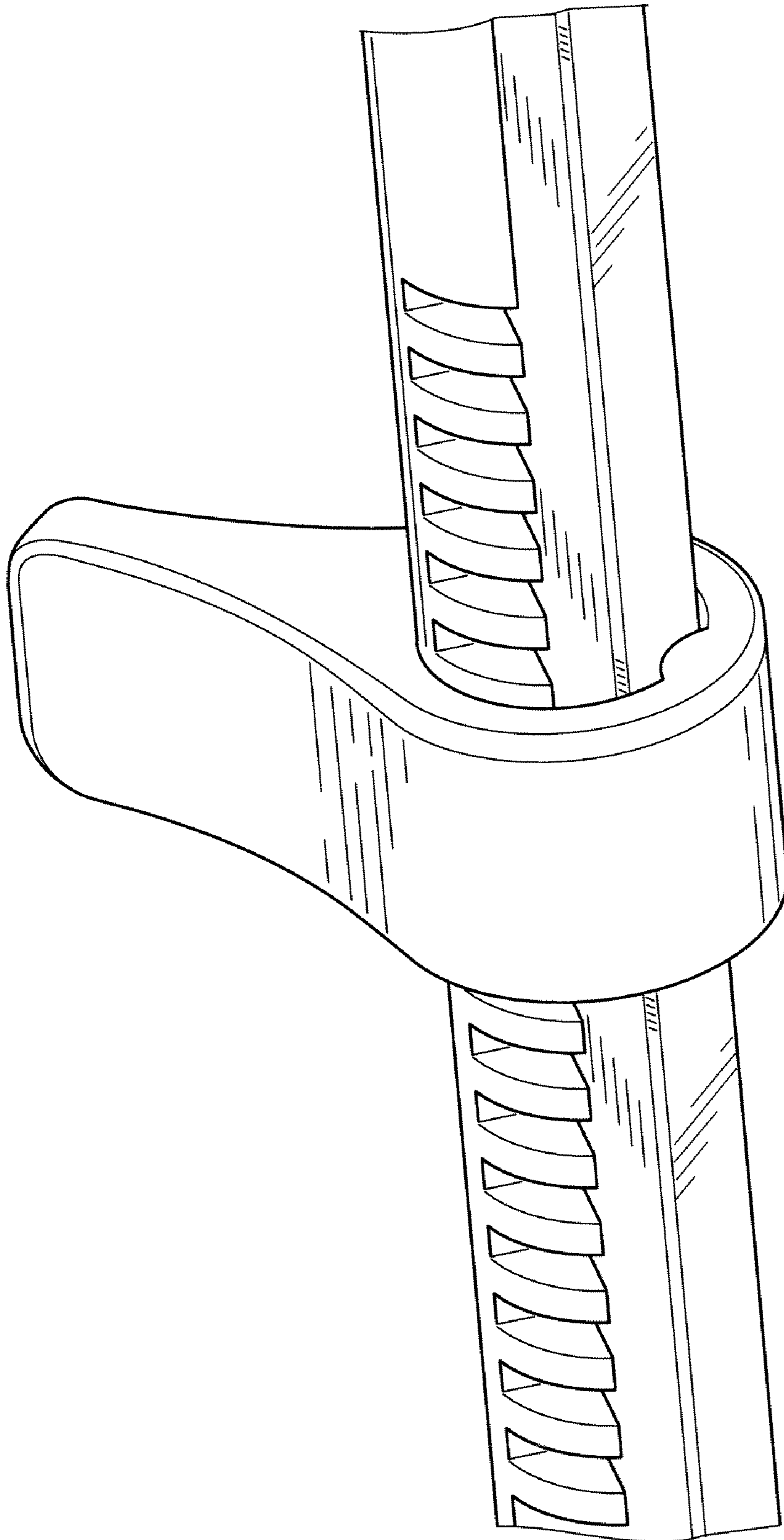


FIG. 10