



US00D575382S

(12) **United States Design Patent**
Hammes

(10) **Patent No.:** **US D575,382 S**

(45) **Date of Patent:** **** Aug. 19, 2008**

(54) **AIR FLOW CABINET**

(76) Inventor: **Frank Hammes**, Seestrasse 44,
CH-9326 Horn (CH)

(**) Term: **14 Years**

(21) Appl. No.: **29/286,041**

(22) Filed: **Apr. 19, 2007**

(51) **LOC (8) Cl.** **23-04**

(52) **U.S. Cl.** **D23/364**

(58) **Field of Classification Search** D23/364,
D23/355, 332, 333, 393, 386, 365, 370, 342,
D23/366, 356; 454/187, 174, 62, 64, 193,
454/370; 422/120, 122; 55/356, 473, 504,
55/385.2, DIG. 31, 481; D3/203.6; 165/76,
165/137; 138/158; 220/908; D9/432; 181/224;
428/34.2

See application file for complete search history.

(56) **References Cited**

U.S. PATENT DOCUMENTS

3,012,762	A *	12/1961	Norris	165/137
3,338,599	A *	8/1967	Hallman	138/158
4,047,475	A *	9/1977	Cox	454/370
D270,467	S *	9/1983	Fowler et al.	D23/364
D277,131	S *	1/1985	Shames et al.	D23/393
4,646,817	A *	3/1987	Van Ee	165/76
4,657,176	A *	4/1987	Matsubara	220/908
D290,743	S *	7/1987	Ord et al.	D23/342
D315,596	S *	3/1991	Botheras et al.	D23/332
D335,173	S *	4/1993	Leufstedt et al.	D23/393
5,326,316	A *	7/1994	Hashimoto et al.	454/187
D360,461	S *	7/1995	Gillespie	D23/366

5,431,600	A *	7/1995	Murata et al.	454/187
5,593,470	A *	1/1997	Shagott et al.	55/356
5,827,118	A *	10/1998	Johnson et al.	454/187
D400,663	S *	11/1998	Furlough	D23/366
5,965,185	A *	10/1999	Bianco	454/174
D421,108	S *	2/2000	Esty et al.	D23/355
D425,189	S *	5/2000	Gillingham et al.	D23/365
D435,096	S *	12/2000	Meeks et al.	D23/356
6,471,582	B1 *	10/2002	Tucker	454/187
D479,465	S *	9/2003	Knasel	D9/432
7,112,232	B2 *	9/2006	Chang et al.	55/481
7,229,677	B2 *	6/2007	Miller	428/34.2
2005/0092544	A1 *	5/2005	Lee	181/224
2006/0016163	A1 *	1/2006	O'Connor et al.	55/481

* cited by examiner

Primary Examiner—Louis S Zarfaz

Assistant Examiner—David G Muller

(74) *Attorney, Agent, or Firm*—Dennis W. Beech

(57) **CLAIM**

The ornamental design for an air flow cabinet, as shown and described.

DESCRIPTION

FIG. 1 is a side view of the air flow cabinet showing my new design;

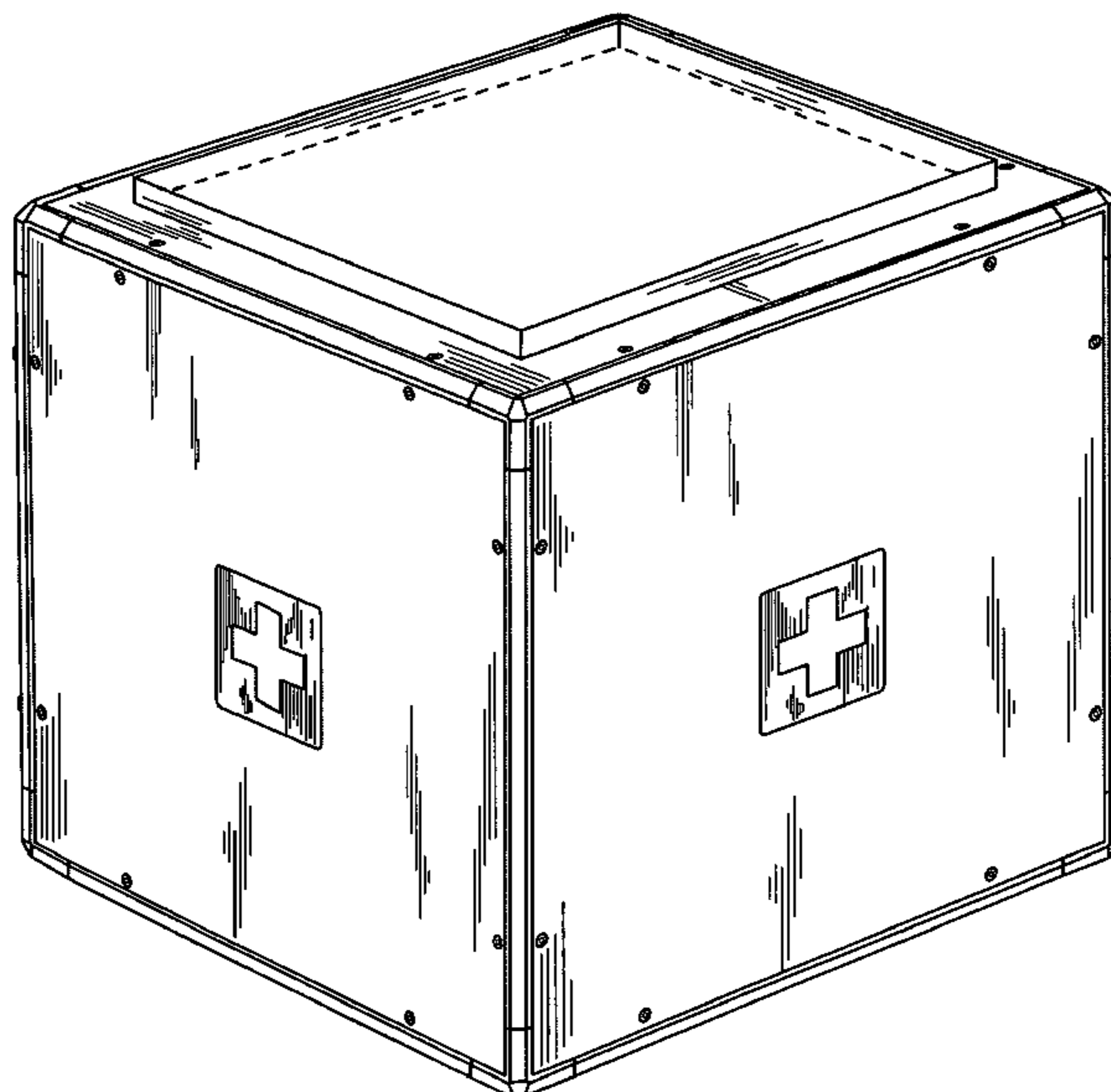
FIG. 2 is a second side view of the invention thereof;

FIG. 3 is an end view thereof; and,

FIG. 4 is a perspective view thereof.

The broken line showing of parts of the drawings is included for the purpose of illustrating use and environment and forms no part of the claimed design.

1 Claim, 4 Drawing Sheets



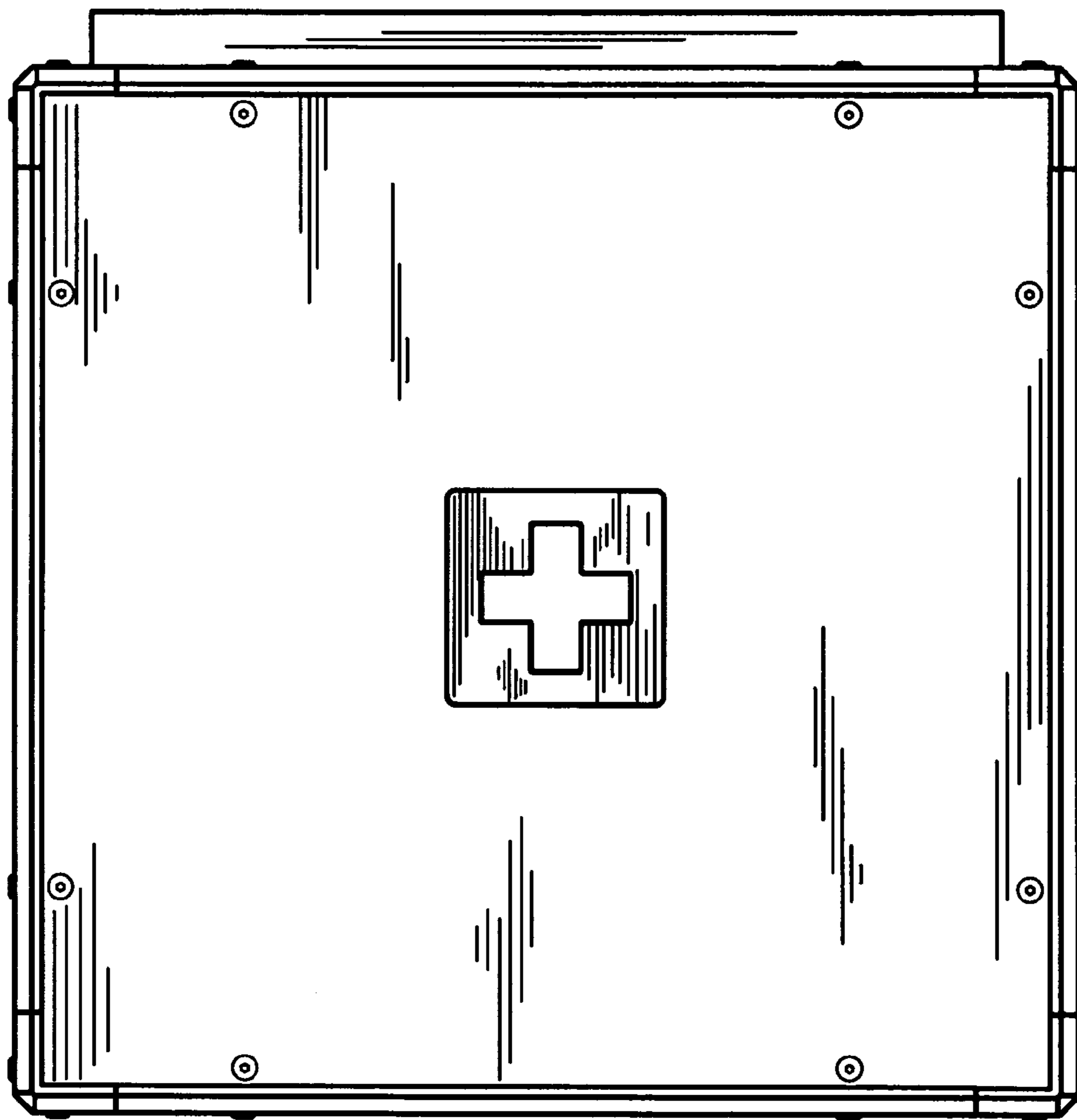


Fig. 1

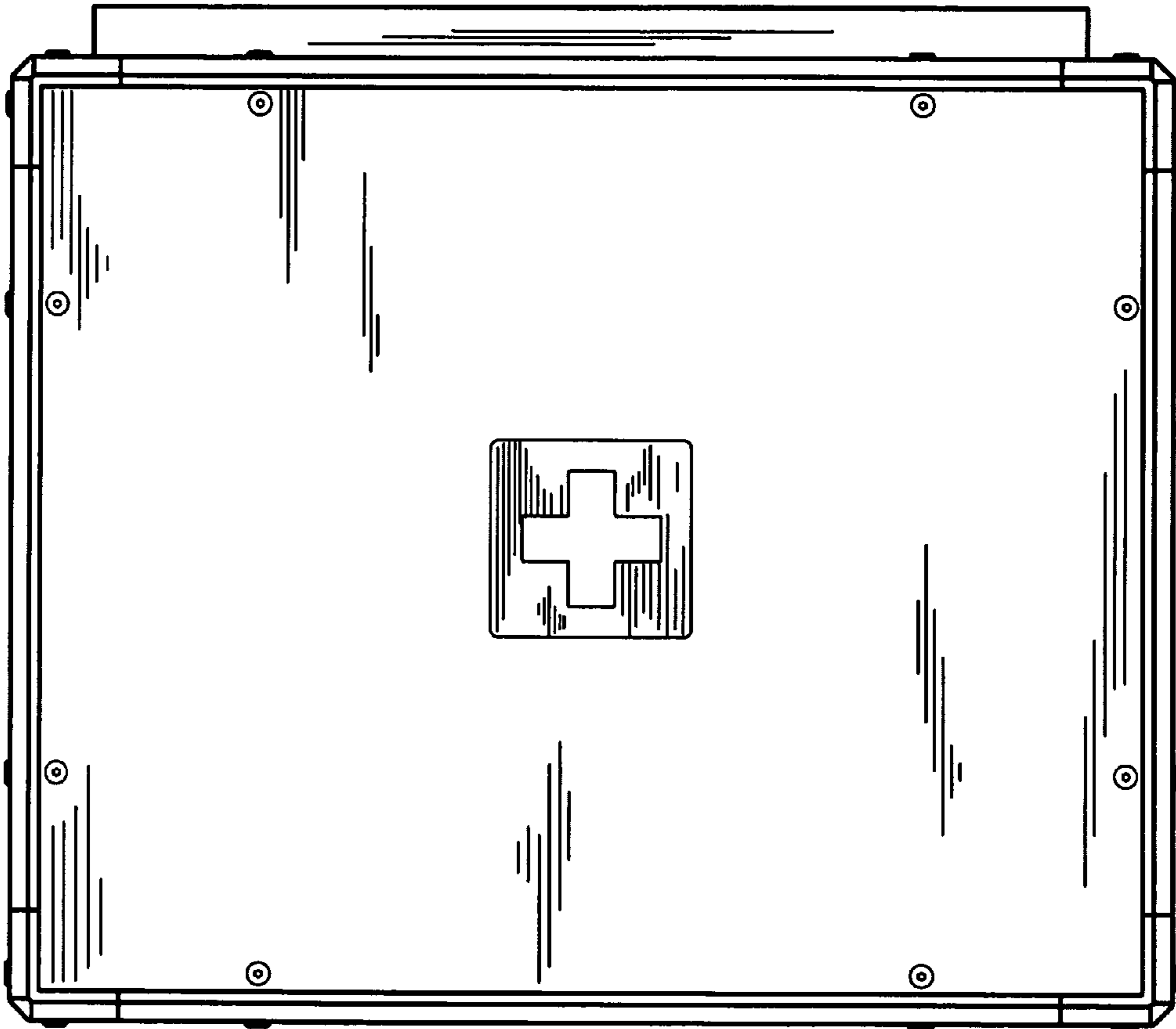


Fig. 2

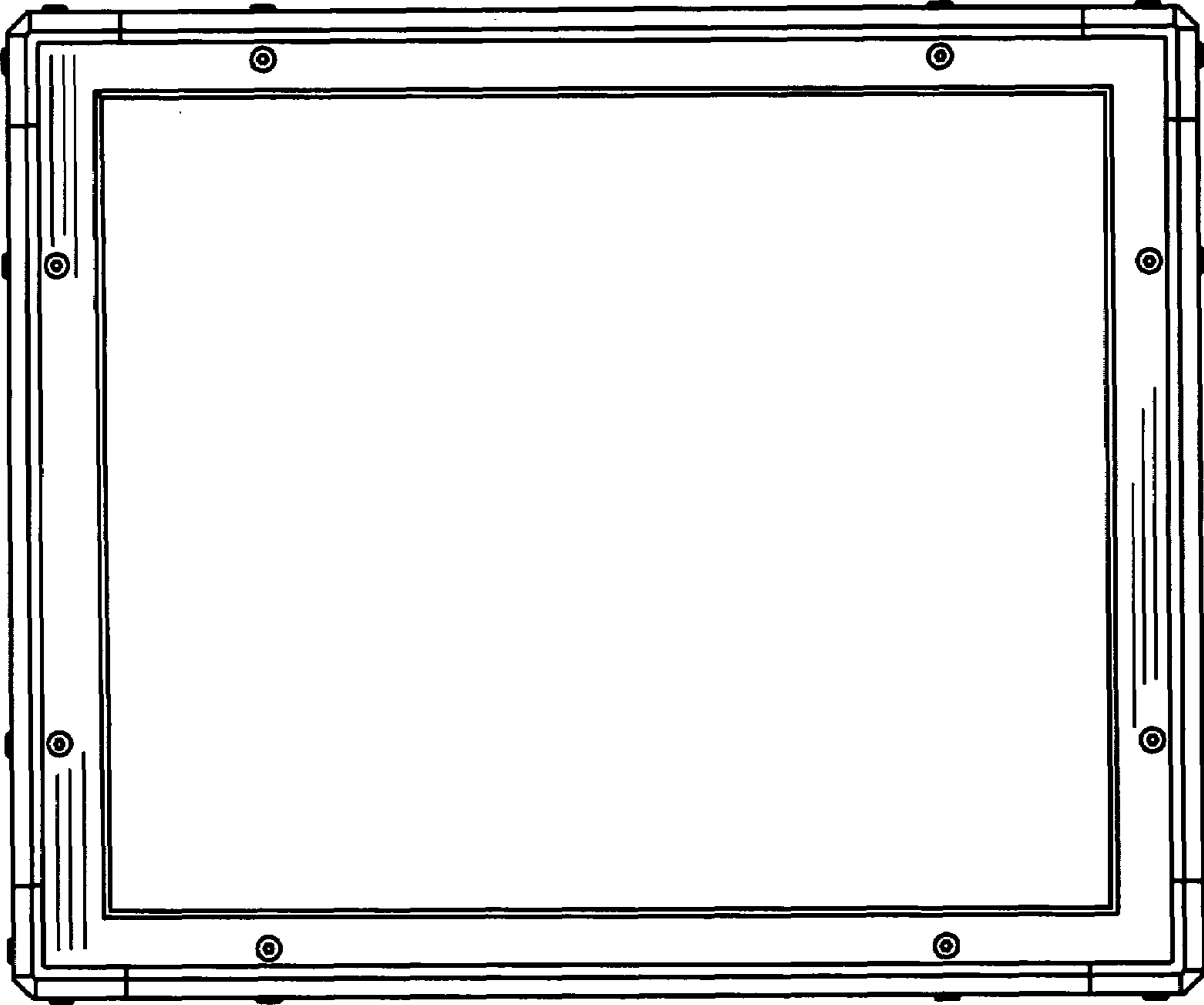


Fig. 3

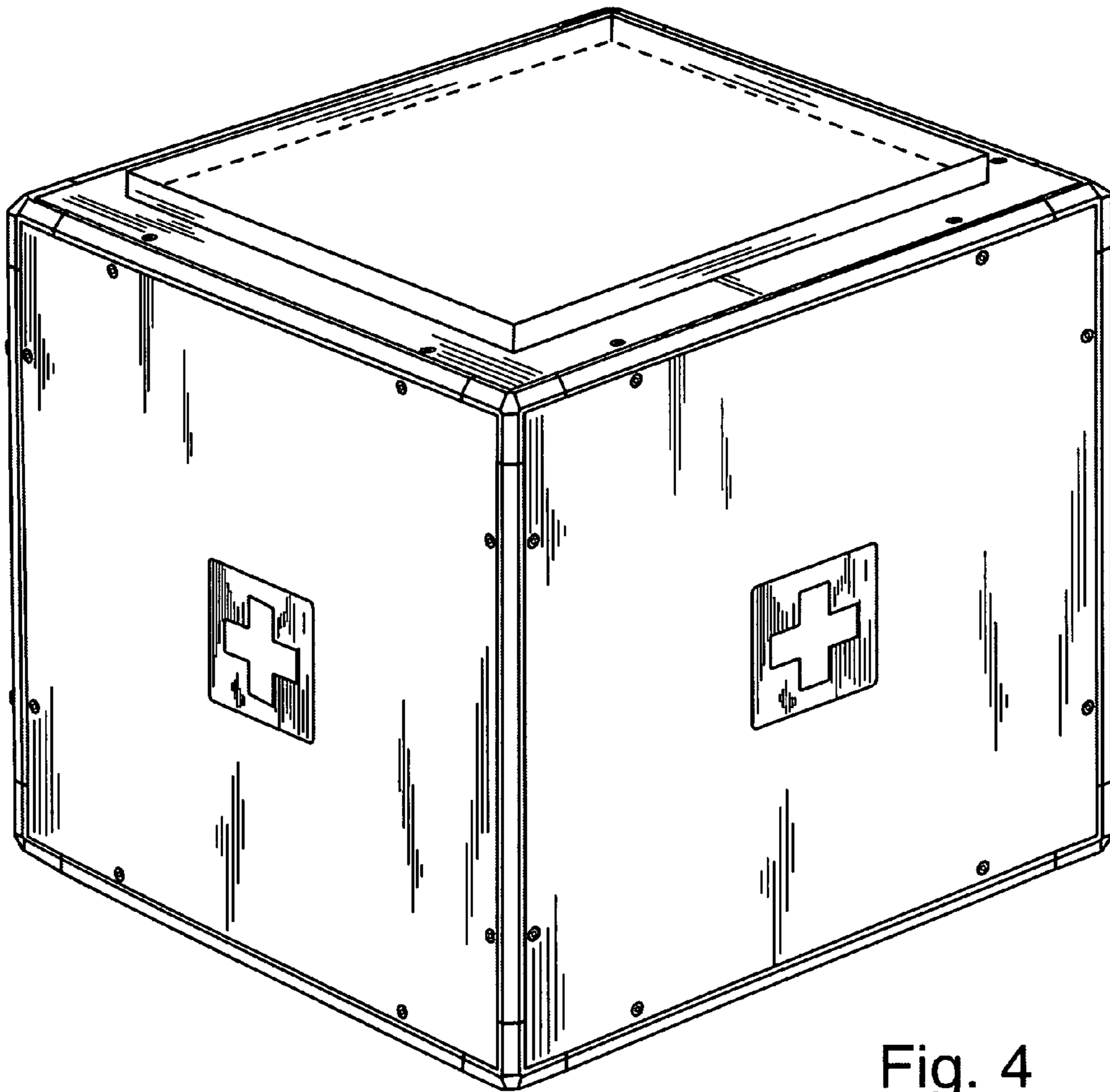


Fig. 4