

US00D575381S

(12) **United States Design Patent**
Leon

(10) **Patent No.:** **US D575,381 S**
(45) **Date of Patent:** **** Aug. 19, 2008**

(54) **CONDENSER SHROUD FOR DC COOLER**

(75) Inventor: **Eduardo Leon**, Woodridge, IL (US)

(73) Assignees: **Emerson Network Power**, Warrenville, IL (US); **Energy Systems**, Warrenville, IL (US); **North America, Inc.**, Warrenville, IL (US)

(**) Term: **14 Years**

(21) Appl. No.: **29/257,319**

(22) Filed: **Mar. 31, 2006**

(51) **LOC (8) Cl.** **23-03**

(52) **U.S. Cl.** **D23/323**

(58) **Field of Classification Search** D23/323,
D23/364, 393, 386, 52, 363; 112/225 R,
112/208; 126/101; 277/494, 592; 122/209
See application file for complete search history.

(56) **References Cited**

U.S. PATENT DOCUMENTS

| | | | |
|----------------|---------|-----------------|----------|
| D247,047 S | 1/1978 | Damiana | |
| 4,073,795 A | 2/1978 | Batcho et al. | |
| D258,985 S | 4/1981 | Peirce et al. | |
| D259,736 S | 6/1981 | Peirce et al. | |
| D260,117 S | 8/1981 | Peirce et al. | |
| D263,497 S | 3/1982 | Kearney, III | |
| D266,352 S | 9/1982 | Rasmussen | |
| D266,353 S | 9/1982 | Rasmussen | |
| D266,354 S | 9/1982 | Rasmussen | |
| D266,580 S | 10/1982 | Rasmussen | |
| 4,721,315 A | 1/1988 | Ueta | |
| D364,129 S | 11/1995 | Davidson et al. | |
| 6,345,512 B1 * | 2/2002 | Cosley et al. | 62/259.2 |
| D492,224 S | 6/2004 | Bailey et al. | |
| 7,073,795 B2 | 7/2006 | Ueta et al. | |
| D536,077 S * | 1/2007 | Leon | D23/323 |
| D536,078 S * | 1/2007 | Leon | D23/323 |

| | | | |
|-------------------|---------|-----------------|---------|
| D536,079 S * | 1/2007 | Leon | D23/323 |
| 2005/0187325 A1 | 8/2005 | Yuan et al. | |
| 2005/0242527 A1 | 11/2005 | Barth et al. | |
| 2005/0269788 A1 | 12/2005 | Grunfeld | |
| 2005/0280214 A1 | 12/2005 | Richards | |
| 2006/0096362 A1 | 5/2006 | Vialard | |
| 2006/0119050 A1 | 6/2006 | Tripathy et al. | |
| 2006/0145429 A1 | 7/2006 | Casler et al. | |
| 2006/0163817 A1 | 7/2006 | Ishikawa et al. | |
| 2007/0227168 A1 * | 10/2007 | Simmons | 62/229 |
| 2007/0227181 A1 * | 10/2007 | Leon et al. | 62/507 |

* cited by examiner

Primary Examiner—Robert M. Spear

Assistant Examiner—Ania K Dworzecka

(74) *Attorney, Agent, or Firm*—Harness, Dickey & Pierce, P.L.C.

(57) **CLAIM**

The ornamental design for a condenser shroud for DC cooler, as shown and described.

DESCRIPTION

This invention was made with Government support under contract DE-FC26-04NT42106, awarded by the United State Department of Energy. The Government may have certain rights in this invention.

FIG. 1 is a front view of the condenser shroud for DC cooler;

FIG. 2 is a rear view thereof;

FIG. 3 is a top view thereof;

FIG. 4 is a bottom view thereof;

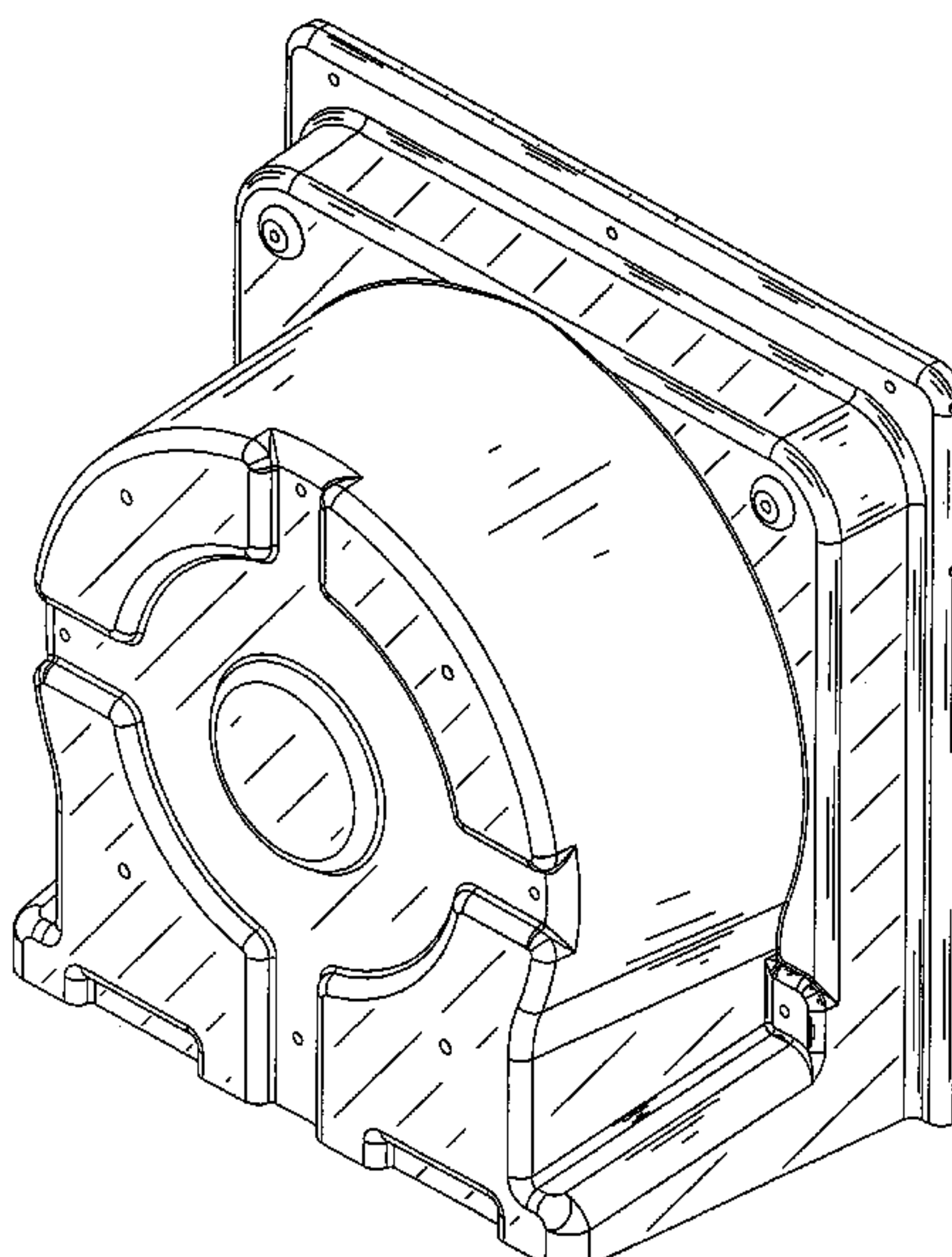
FIG. 5 is a right side view thereof;

FIG. 6 is a left side view thereof;

FIG. 7 is a front perspective view thereof; and,

FIG. 8 is a rear perspective view thereof.

1 Claim, 8 Drawing Sheets



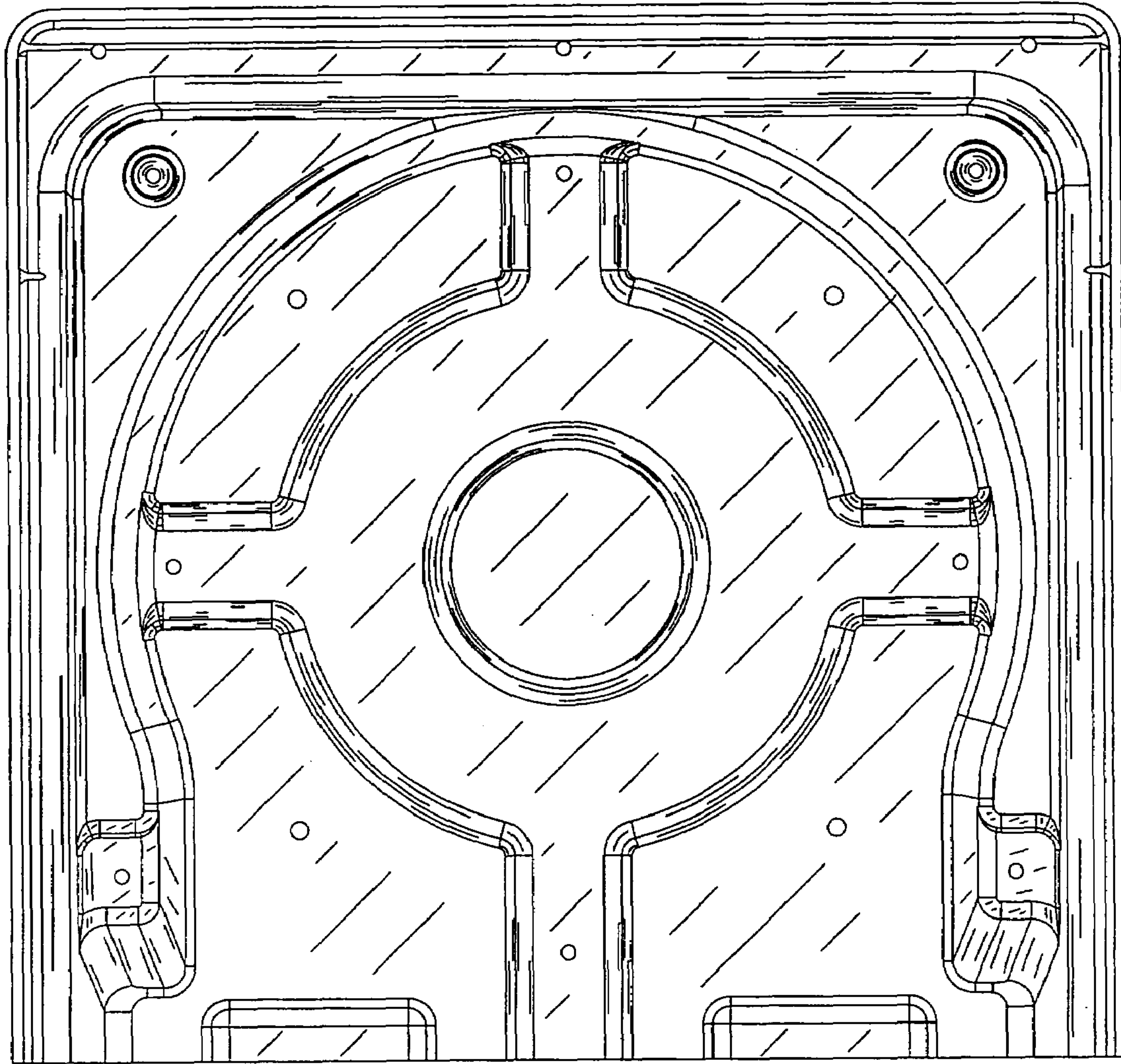


Fig. 1

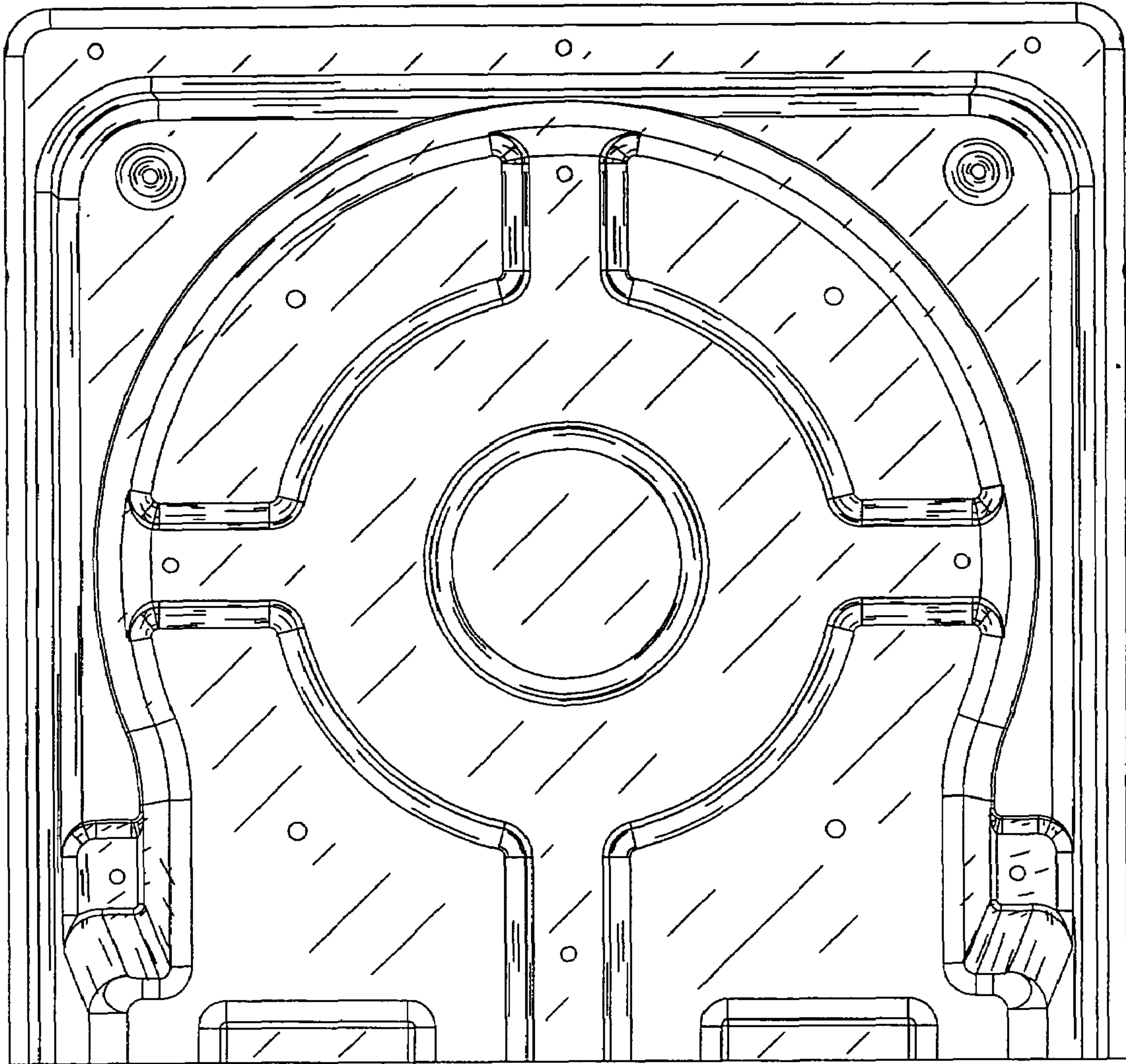


Fig. 2

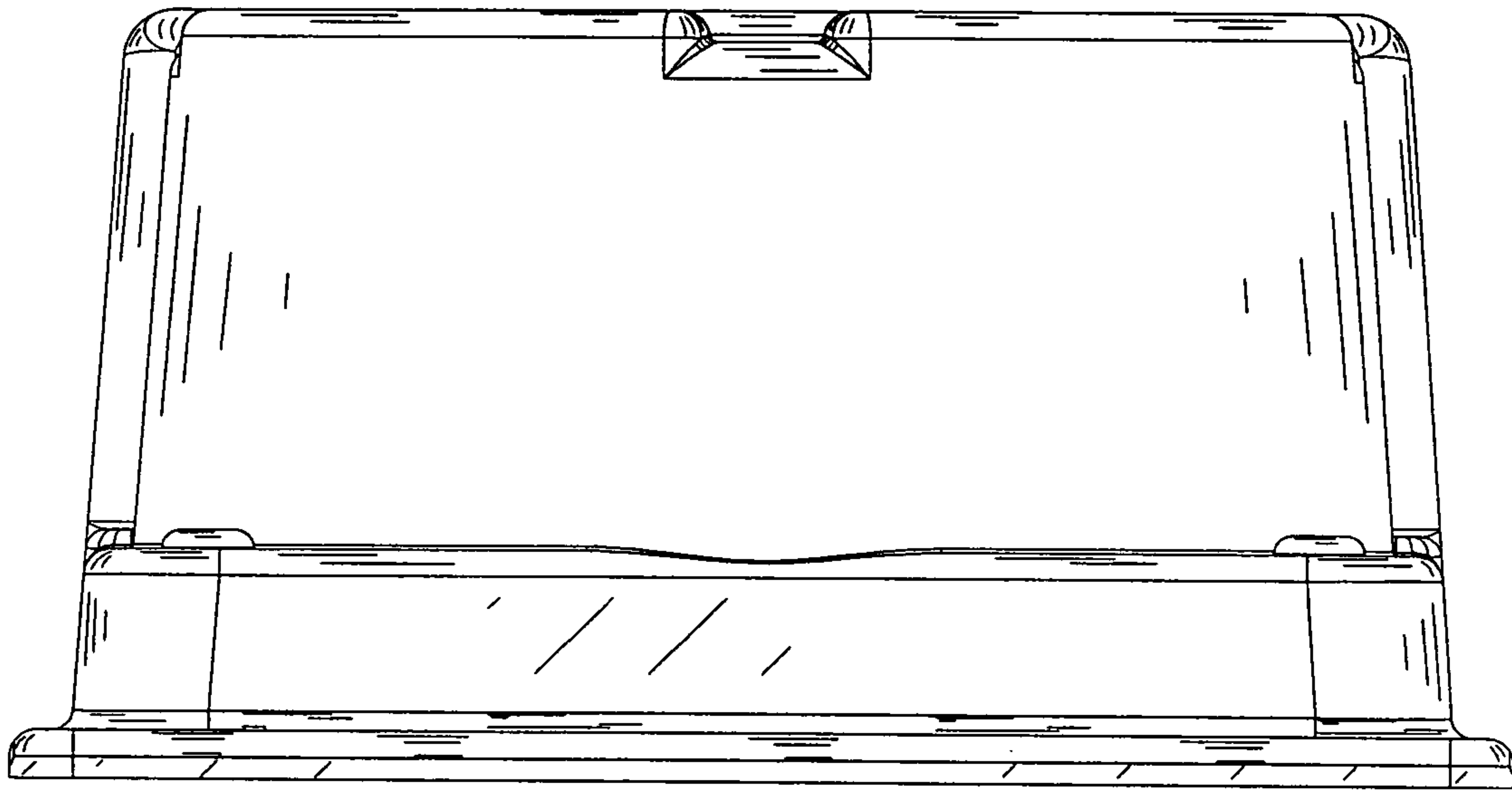


Fig. 3

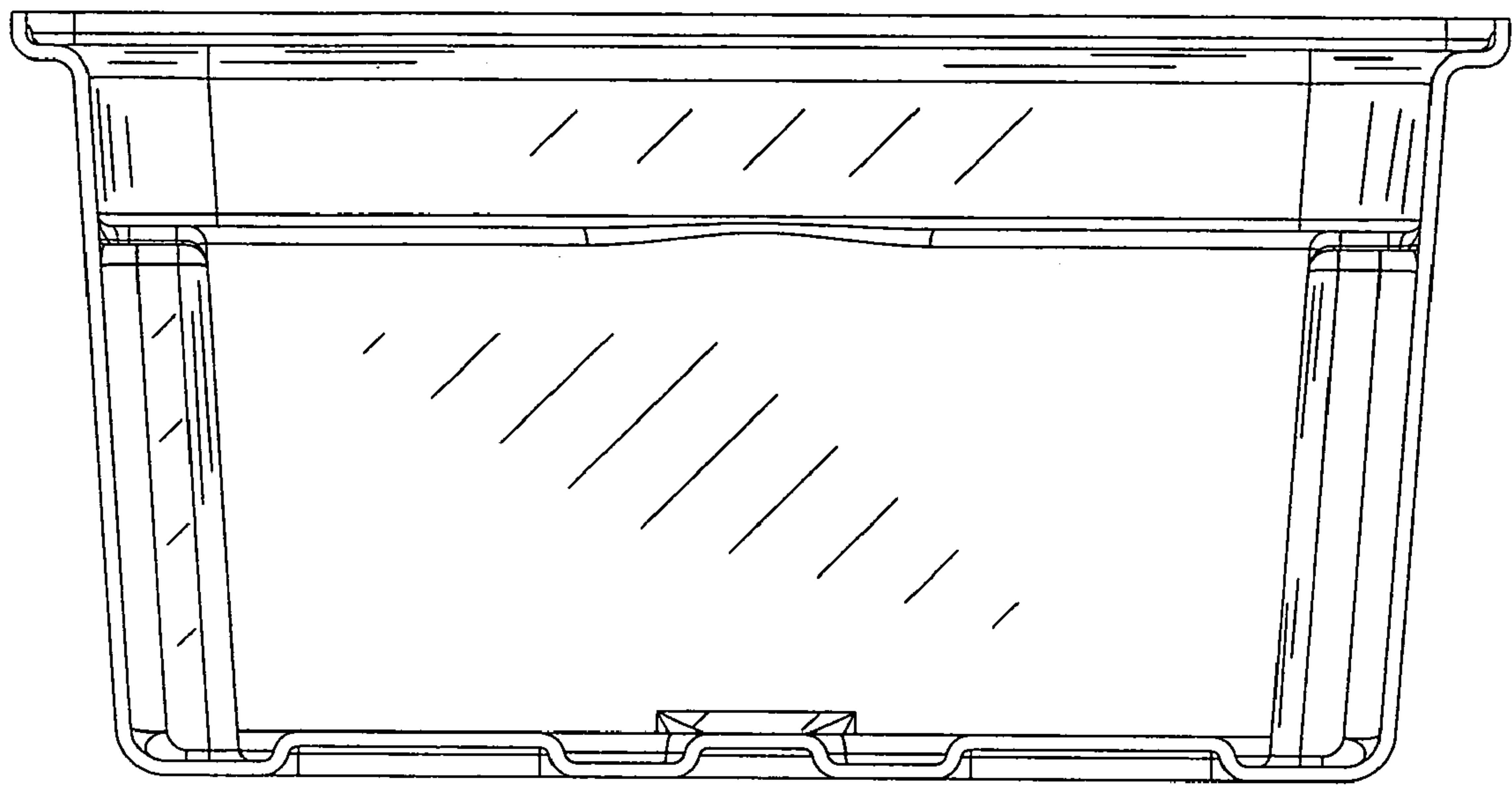


Fig. 4

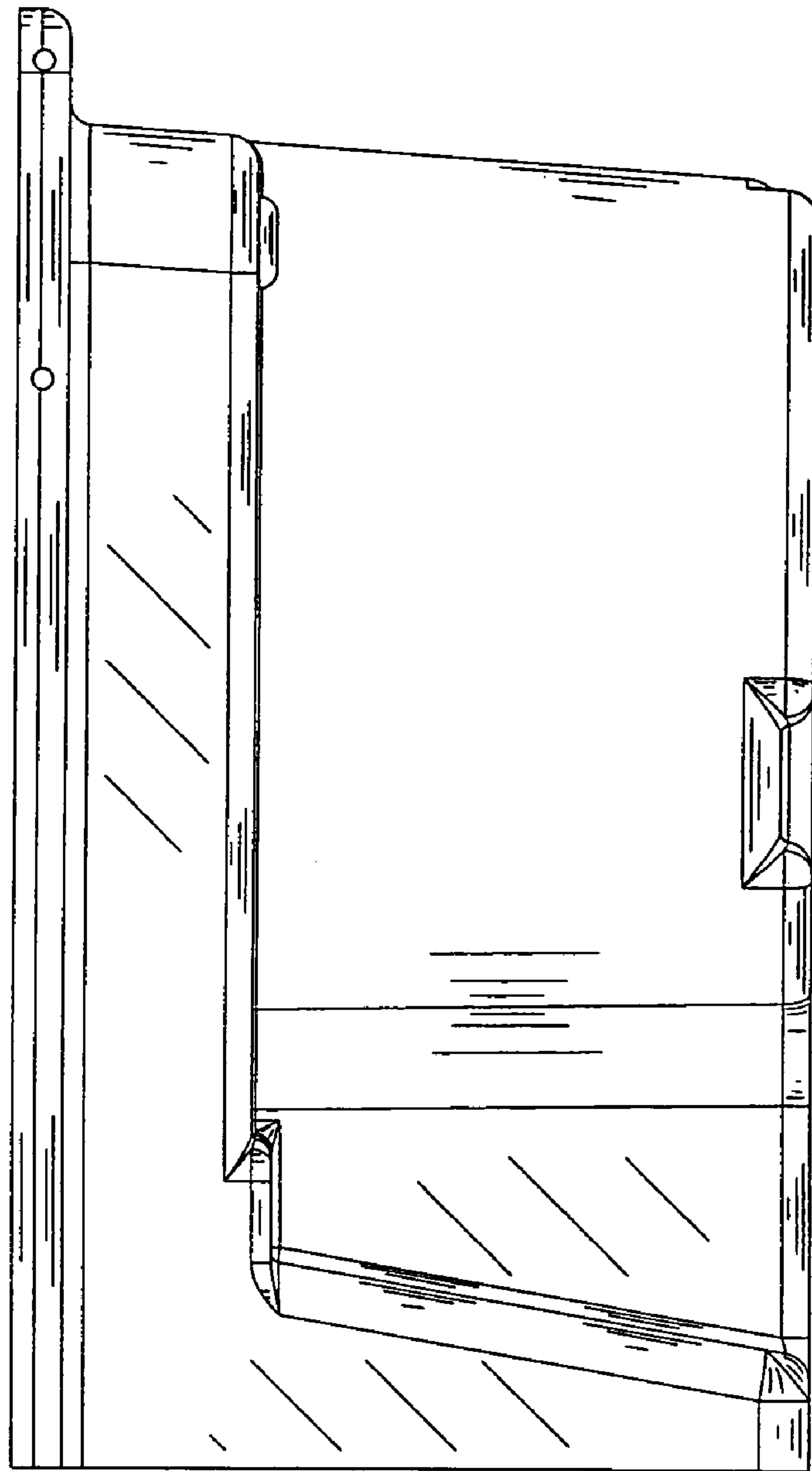


Fig. 5

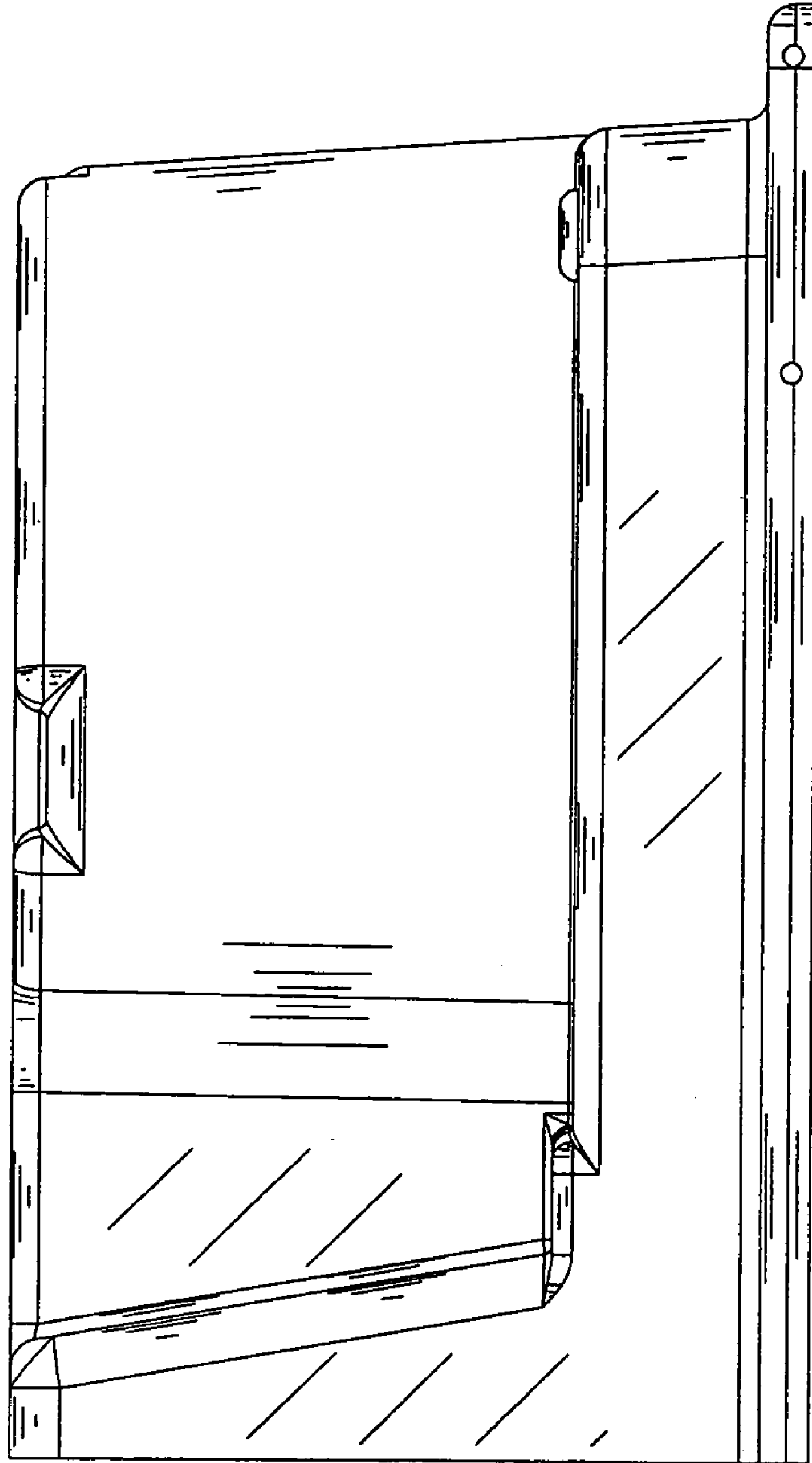


Fig. 6

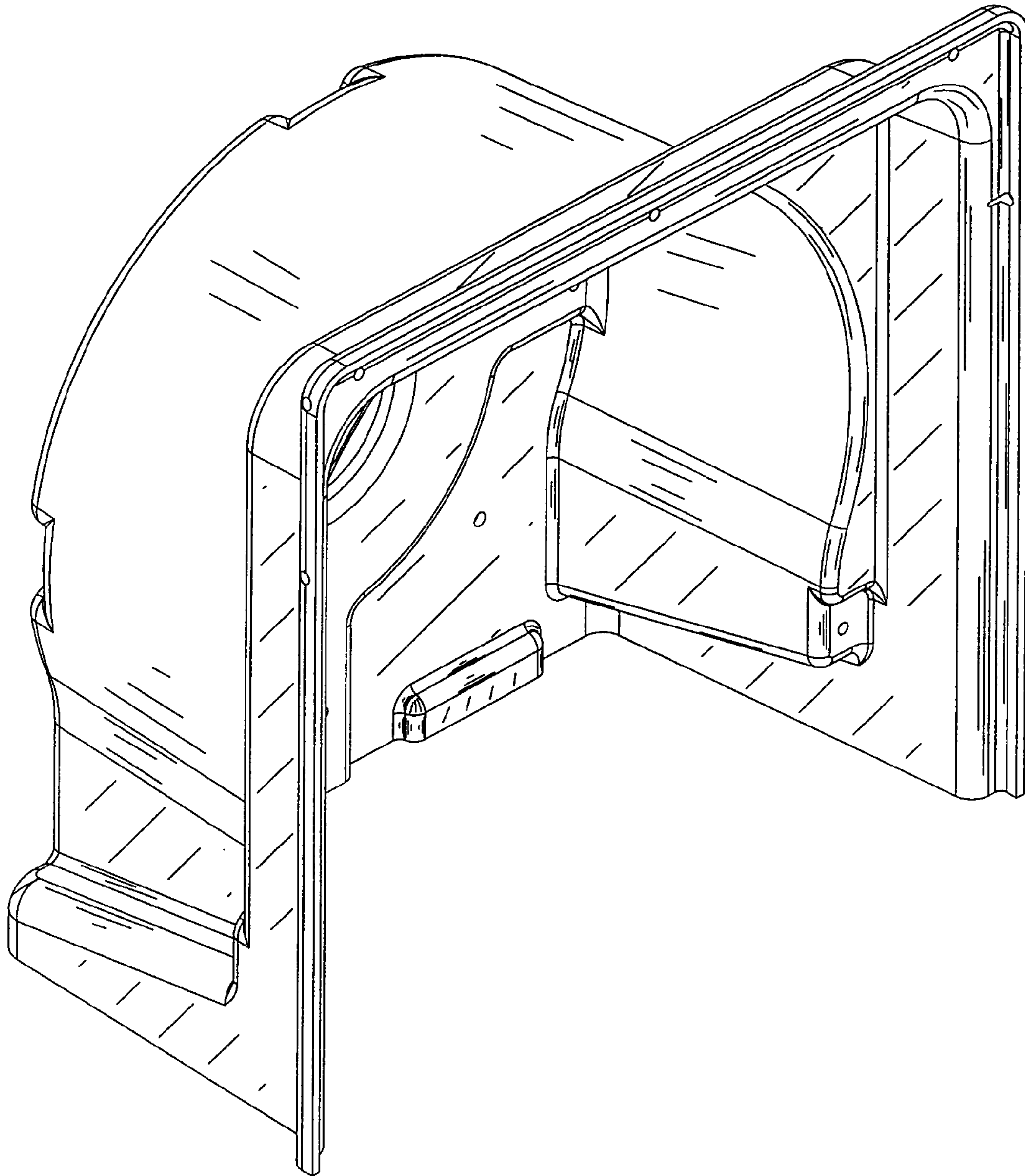


Fig. 7

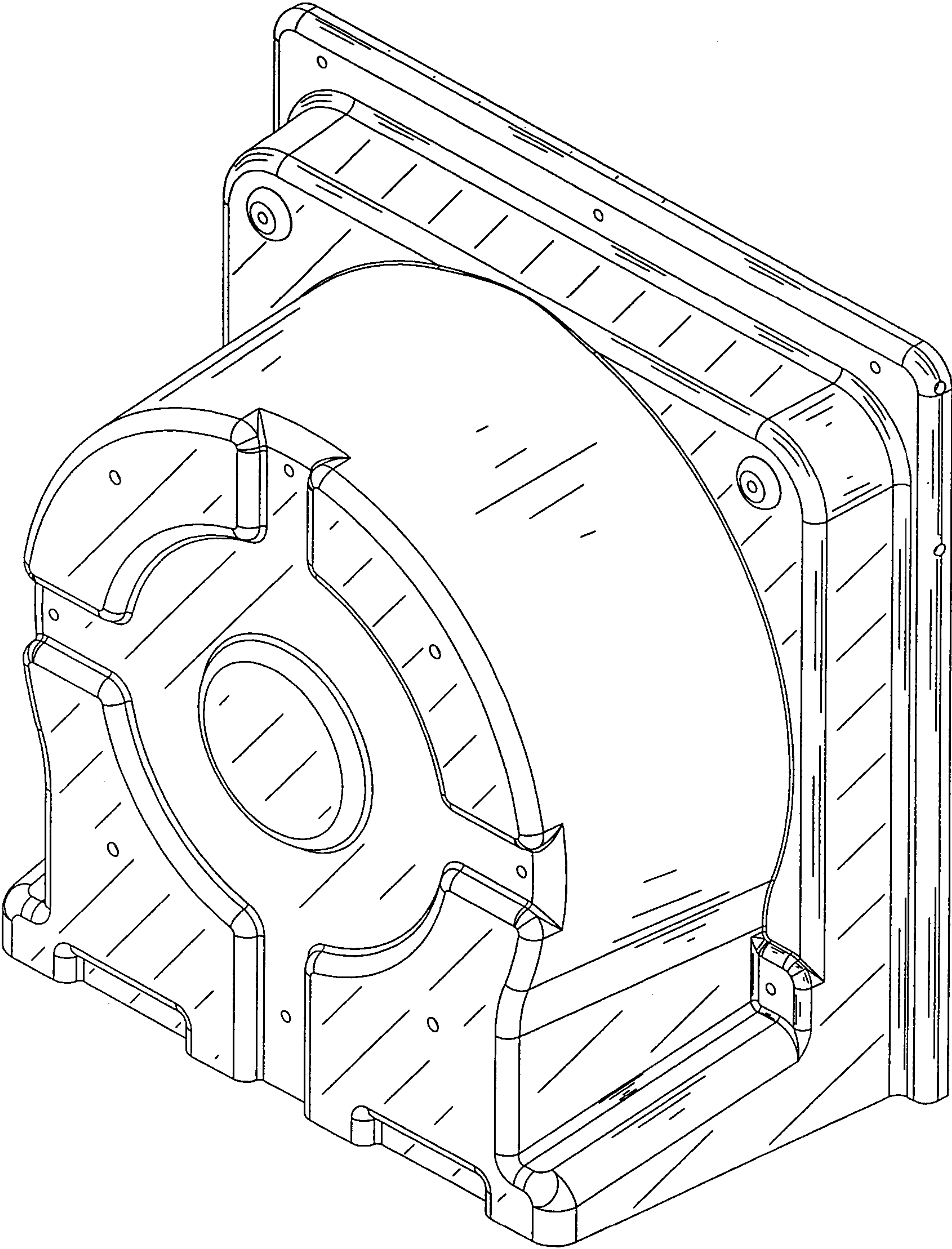


Fig. 8