



US00D575380S

(12) **United States Design Patent**  
**Ziemann et al.**

(10) **Patent No.:** **US D575,380 S**

(45) **Date of Patent:** **\*\* Aug. 19, 2008**

(54) **SINK**

D547,842 S \* 7/2007 Ziemann ..... D23/293.1  
D554,241 S \* 10/2007 Ziemann ..... D23/293.1

(75) Inventors: **Brigitte Ziemann**, Eppingen (DE);  
**Reinhard Koska**, Karlsruhe (DE)

\* cited by examiner

(73) Assignee: **Blanco GmbH + Co KG**,  
Oberderdingen (DE)

*Primary Examiner*—Robert A Delehanty  
(74) *Attorney, Agent, or Firm*—Hanley, Flight &  
Zimmerman, LLC.

(\*\*) Term: **14 Years**

(57) **CLAIM**

(21) Appl. No.: **29/283,649**

The ornamental design for a “sink,” as shown and described.

(22) Filed: **Aug. 20, 2007**

**DESCRIPTION**

(51) **LOC (8) Cl.** ..... **23-02**  
(52) **U.S. Cl.** ..... **D23/293.1**  
(58) **Field of Classification Search** ..... D23/284,  
D23/287, 293.1, 308; 4/619, 631, 637  
See application file for complete search history.

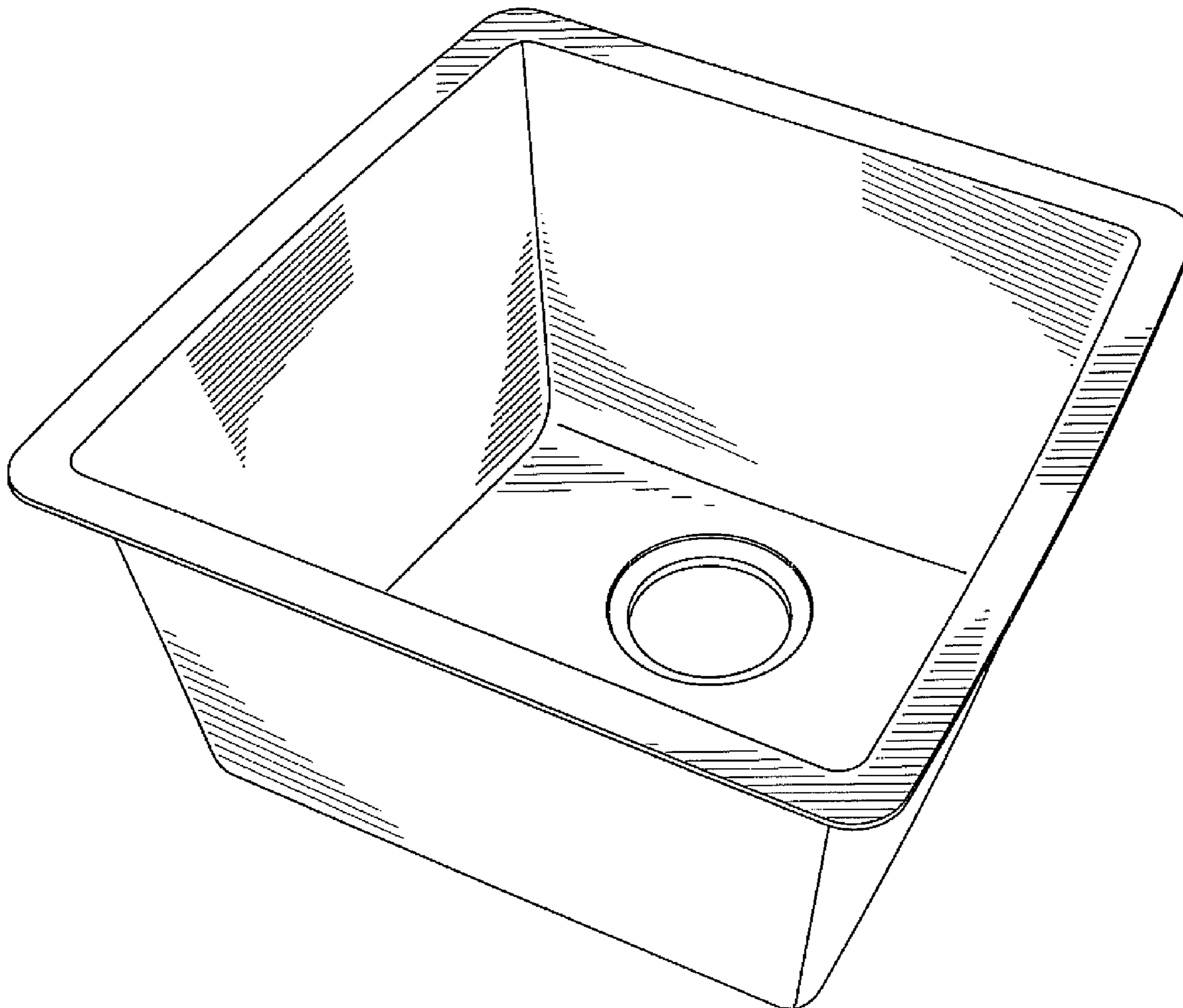
FIG. 1 is a perspective view of the sink;  
FIG. 2 is a top plan view of the sink;  
FIG. 3 is a bottom view of the sink;  
FIG. 4 is a front view of the sink;  
FIG. 5 is a rear view of the sink;  
FIG. 6 is a right side view of the sink; and,  
FIG. 7 is a left side view of the sink.

(56) **References Cited**

**U.S. PATENT DOCUMENTS**

2,843,071 A \* 7/1958 Kitzinger ..... 220/DIG. 22  
5,502,848 A \* 4/1996 Cowan ..... 4/619

**1 Claim, 7 Drawing Sheets**



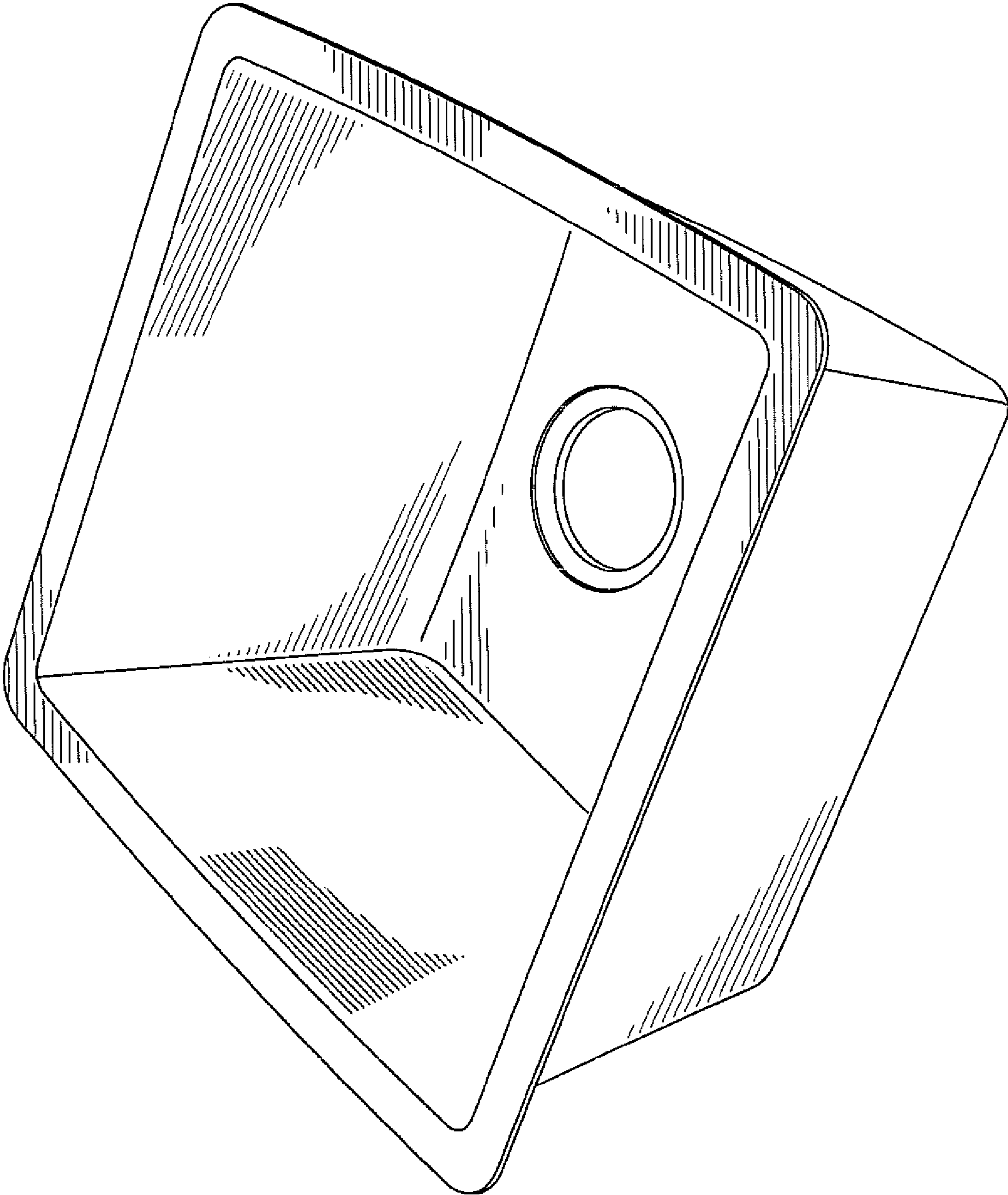


FIG. 1

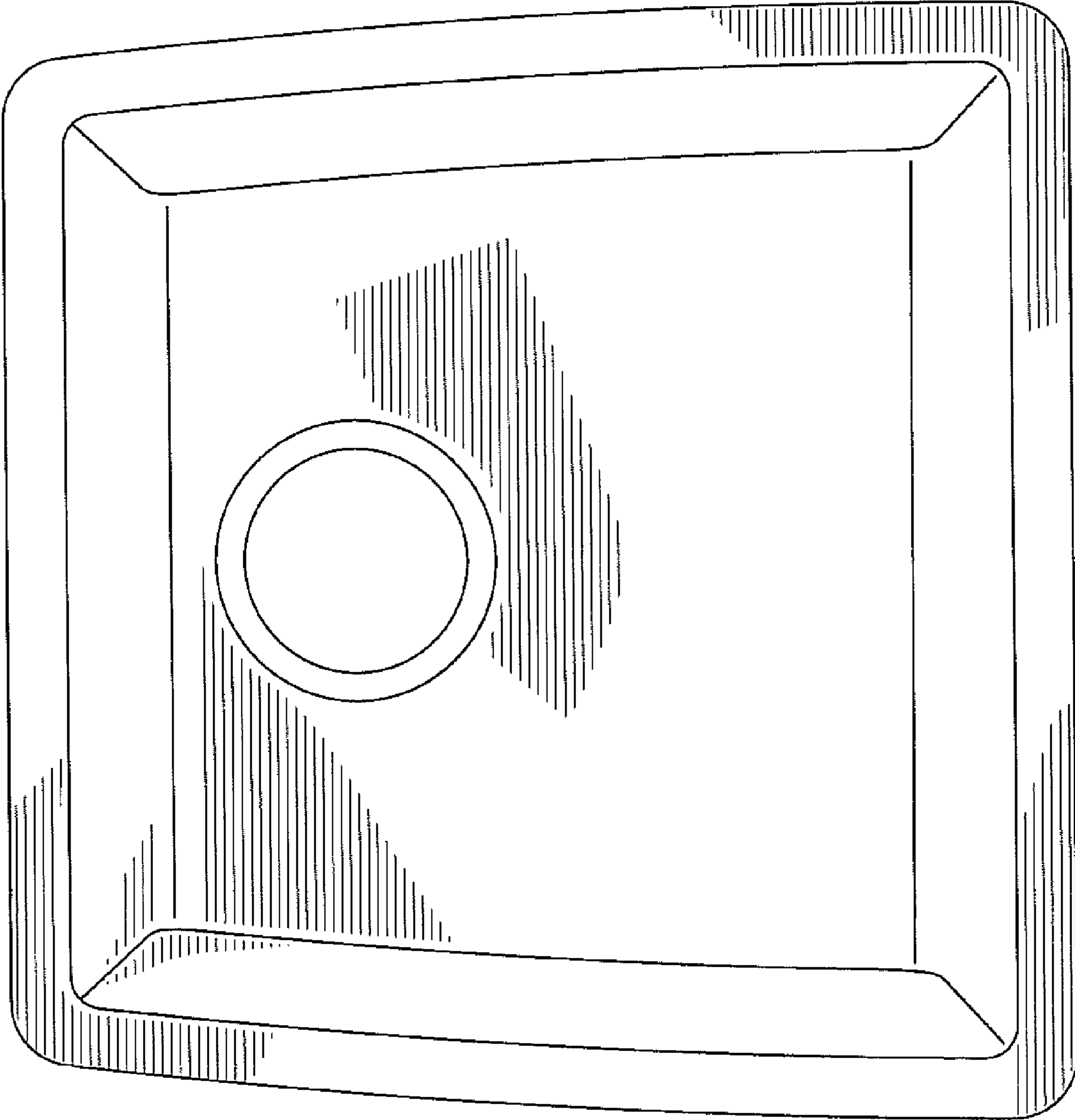


FIG. 2

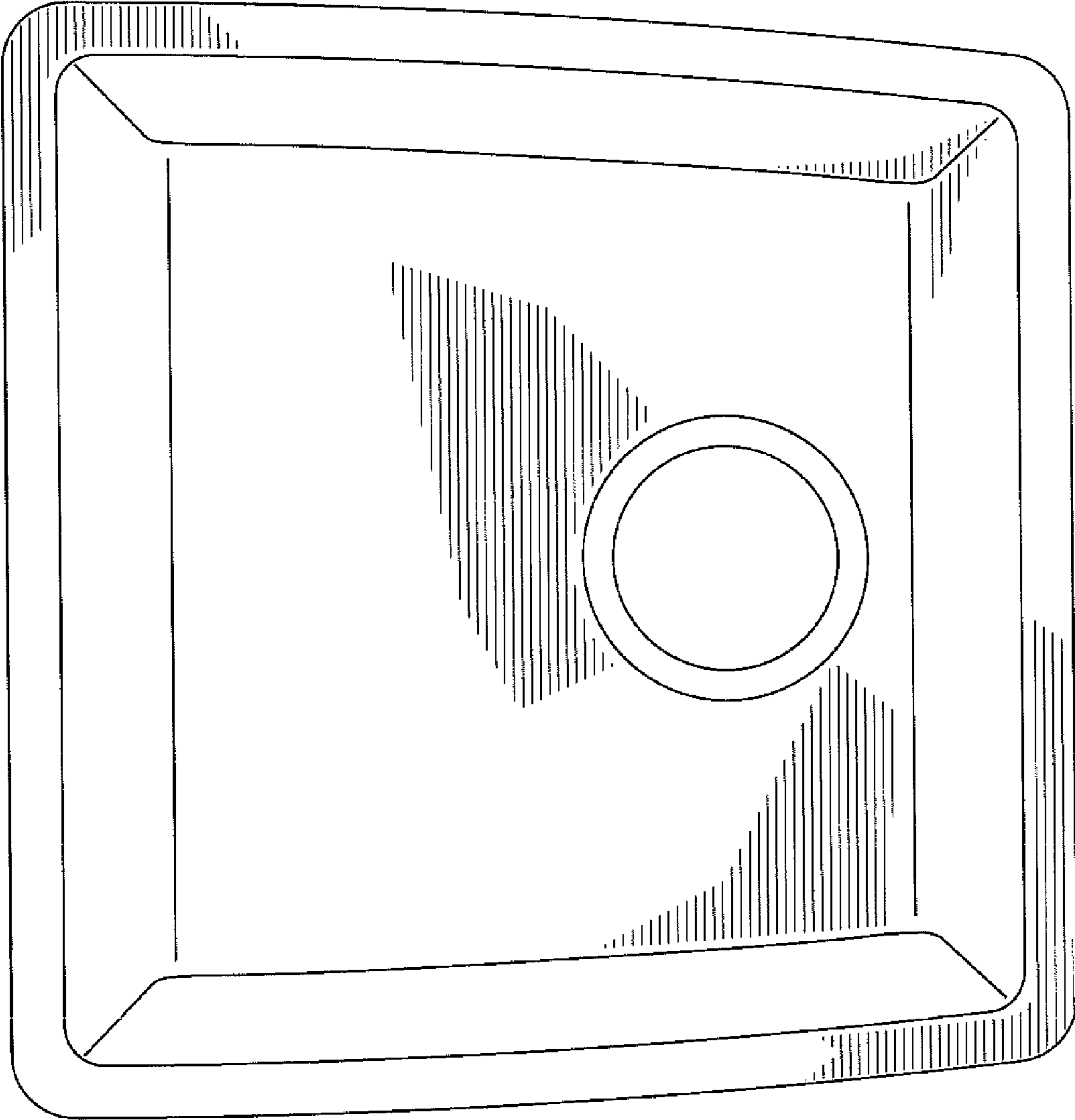


FIG. 3

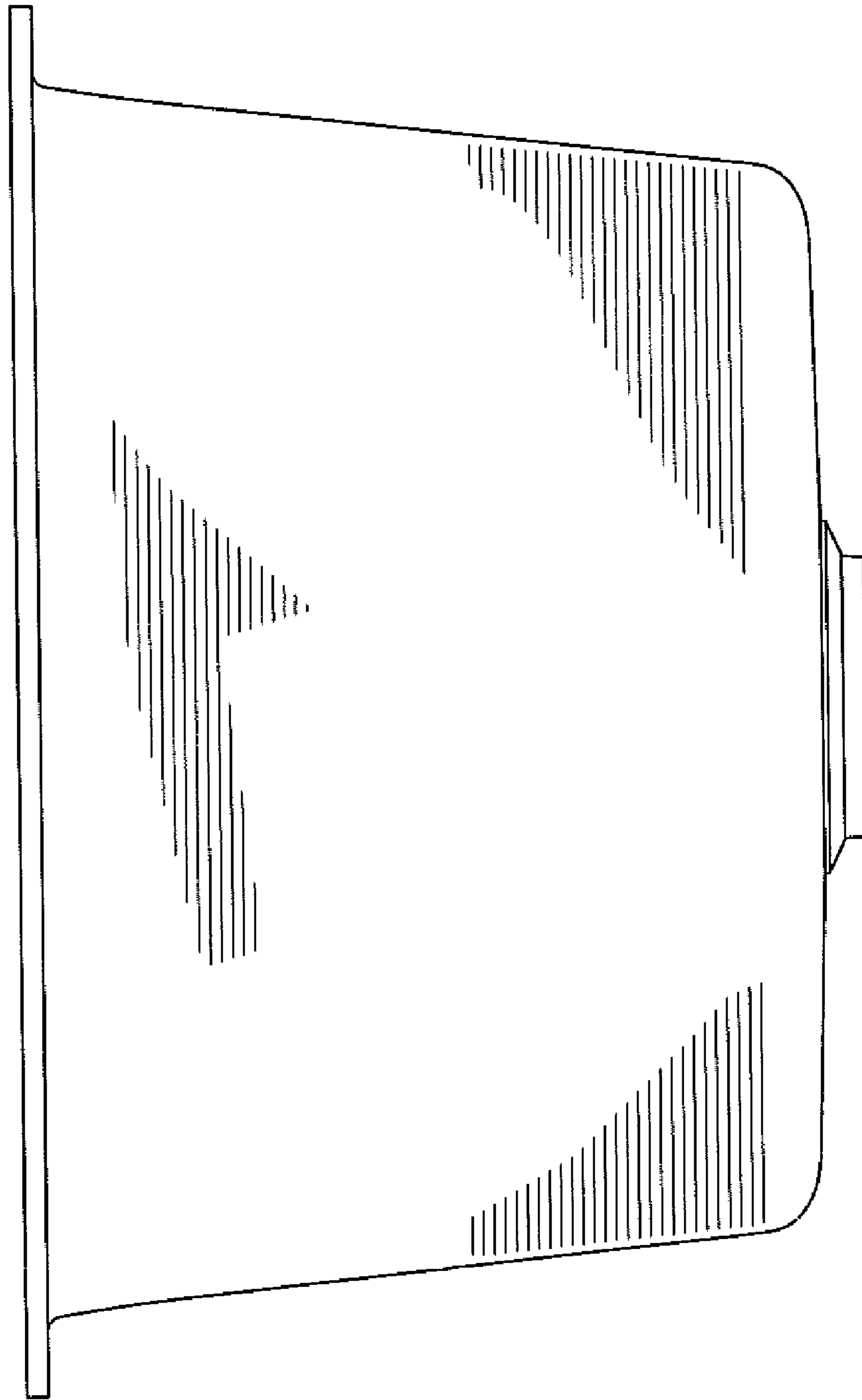


FIG. 4

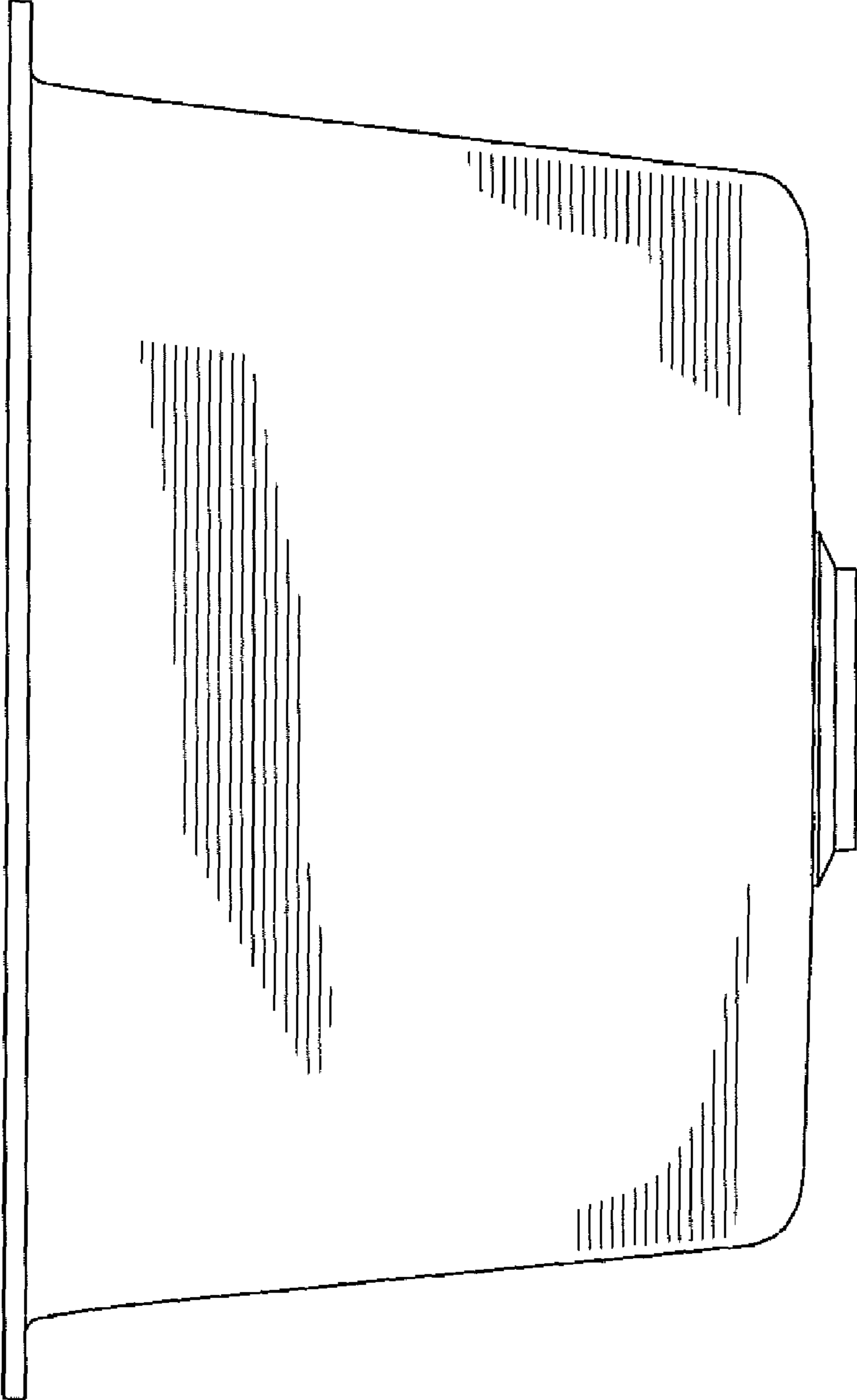


FIG. 5

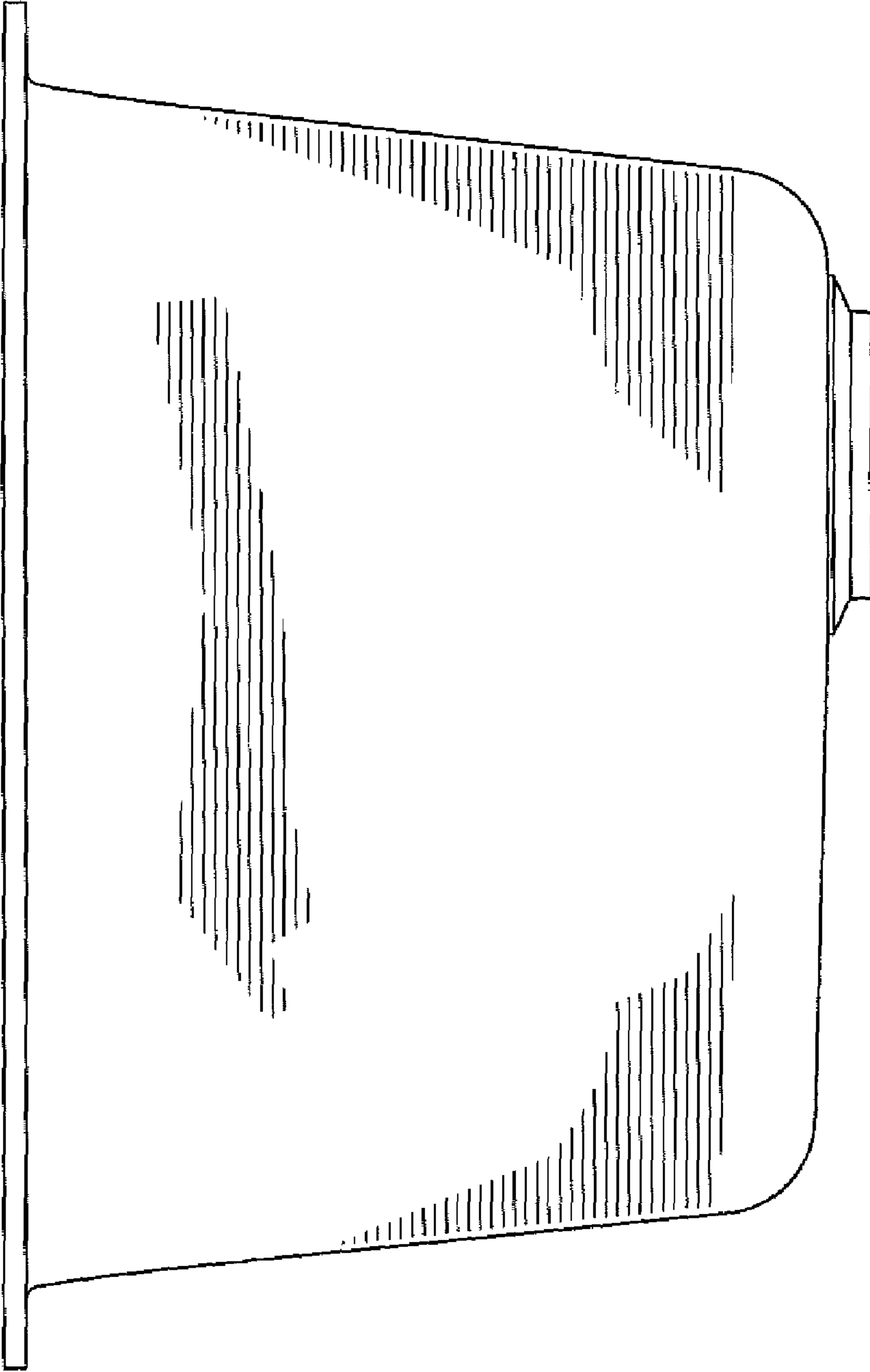


FIG. 6

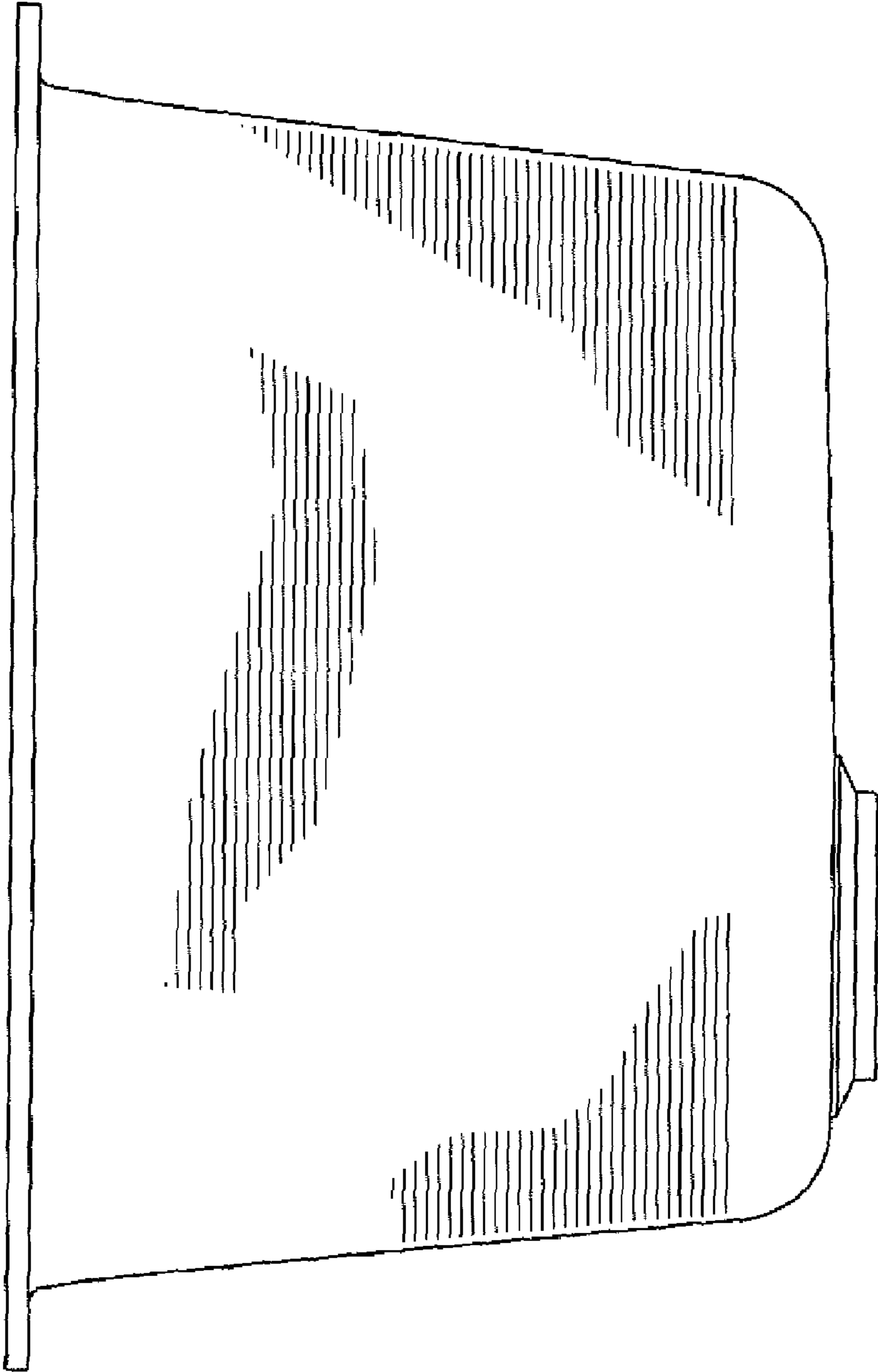


FIG. 7