



US00D575379S

(12) **United States Design Patent**  
**Ziemann et al.**

(10) **Patent No.:** **US D575,379 S**

(45) **Date of Patent:** **\*\* Aug. 19, 2008**

(54) **SINK**

D560,771 S \* 1/2008 Kitzmiller et al. .... D23/284  
D560,784 S \* 1/2008 Marshall et al. .... D23/293.1

(75) Inventors: **Brigitte Ziemann**, Eppingen (DE);  
**Reinhard Koska**, Karlsruhe (DE)

\* cited by examiner

(73) Assignee: **Blanco GmbH + Co KG**,  
Oberderdingen (DE)

*Primary Examiner*—Robert A Delehanty

(74) *Attorney, Agent, or Firm*—Hanley, Flight &  
Zimmerman, LLC.

(\*\*) Term: **14 Years**

(57) **CLAIM**

(21) Appl. No.: **29/283,646**

The ornamental design for a “sink,” as shown and described.

(22) Filed: **Aug. 20, 2007**

**DESCRIPTION**

(51) **LOC (8) Cl.** ..... **23-02**

FIG. 1 is a perspective view of the sink;

(52) **U.S. Cl.** ..... **D23/284**

FIG. 2 is a top plan view of the sink;

(58) **Field of Classification Search** ..... D23/284,

FIG. 3 is a bottom view of the sink;

D23/287, 293.1, 308; 4/619, 631, 637

FIG. 4 is a front view of the sink;

See application file for complete search history.

FIG. 5 is a rear view of the sink;

(56) **References Cited**

FIG. 6 is a right side view of the sink; and,

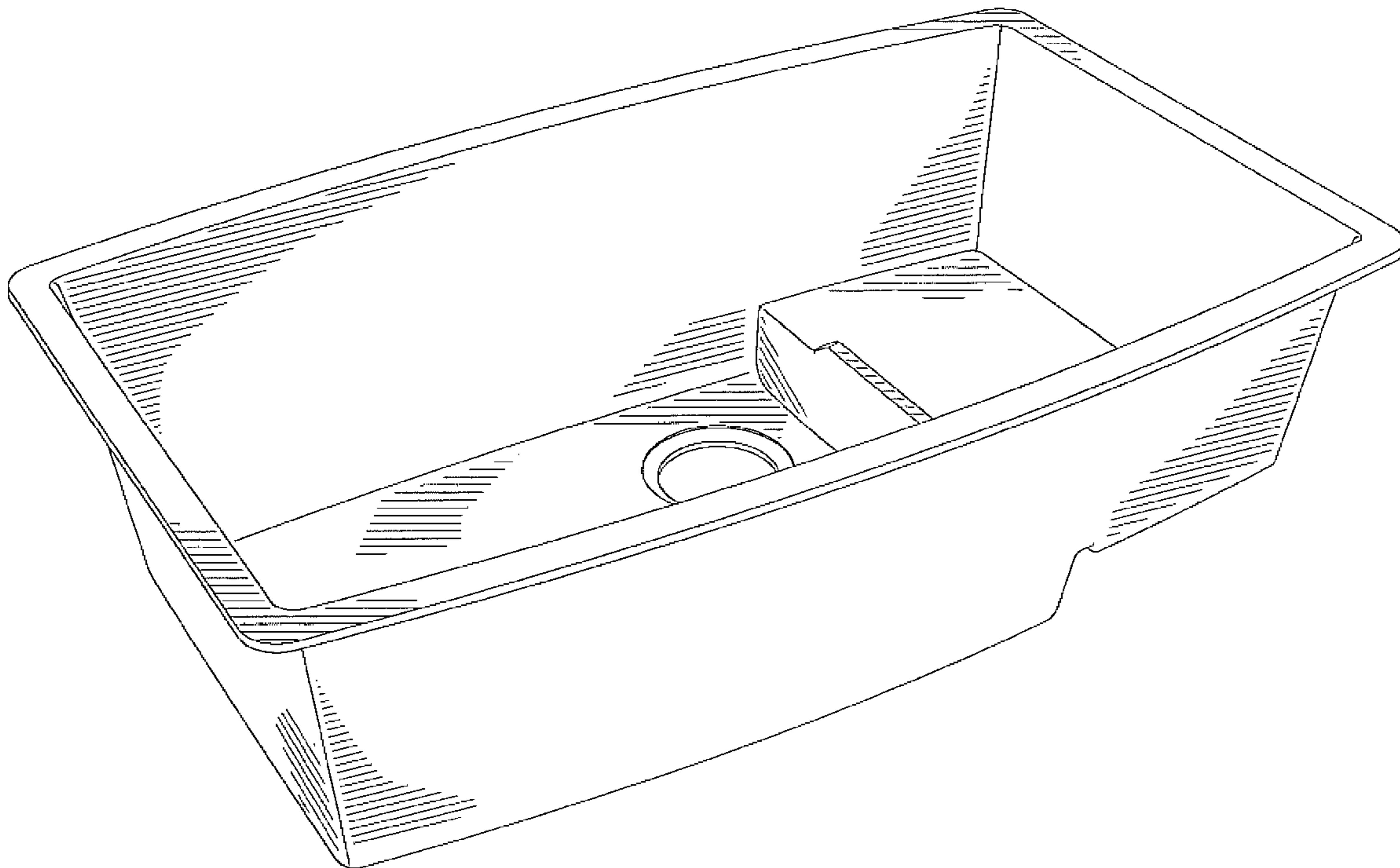
**U.S. PATENT DOCUMENTS**

FIG. 7 is a left side view of the sink.

D260,924 S \* 9/1981 Hurray ..... D23/284

D506,245 S \* 6/2005 Painter ..... D23/287

**1 Claim, 7 Drawing Sheets**



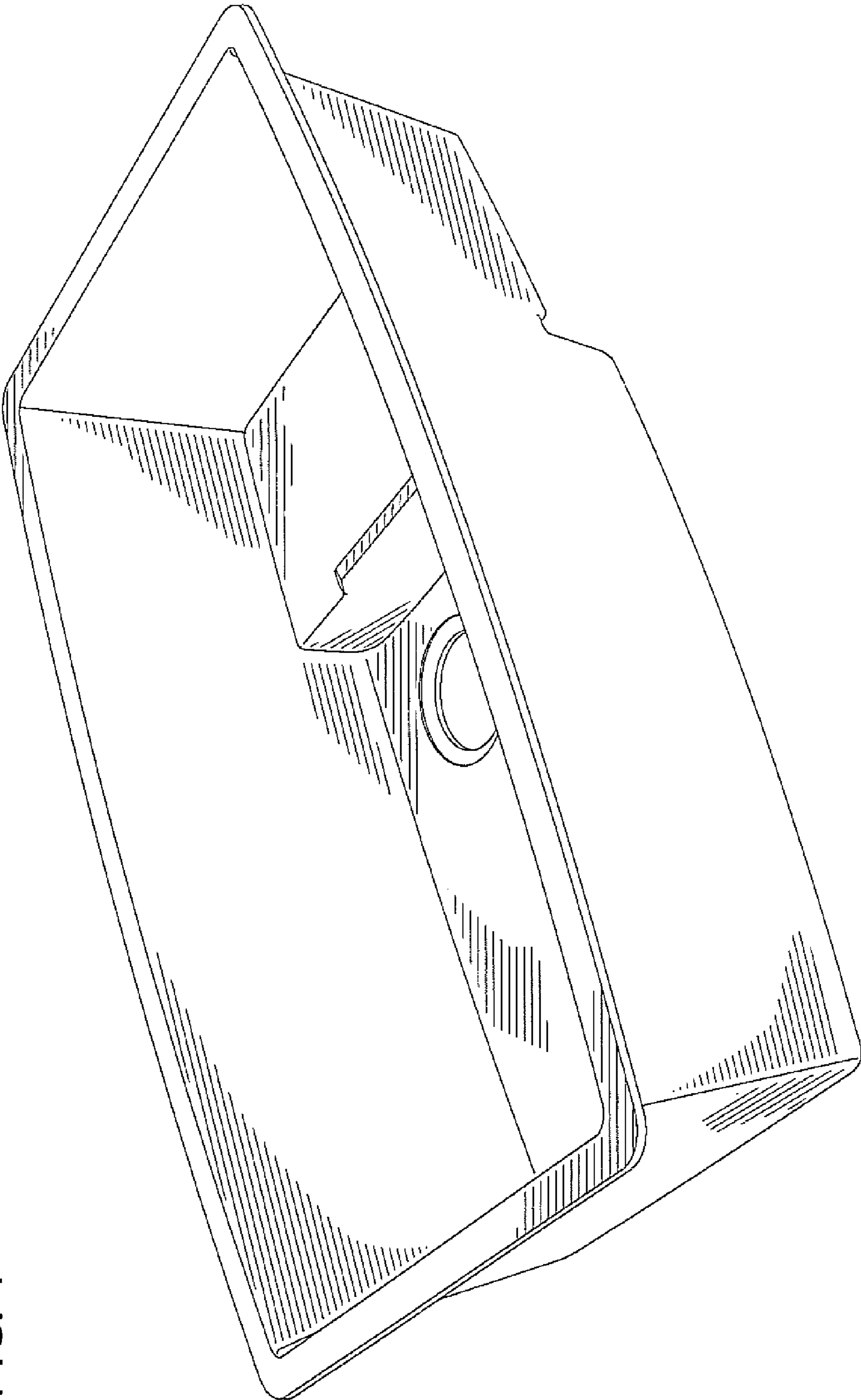


FIG. 1

FIG. 2

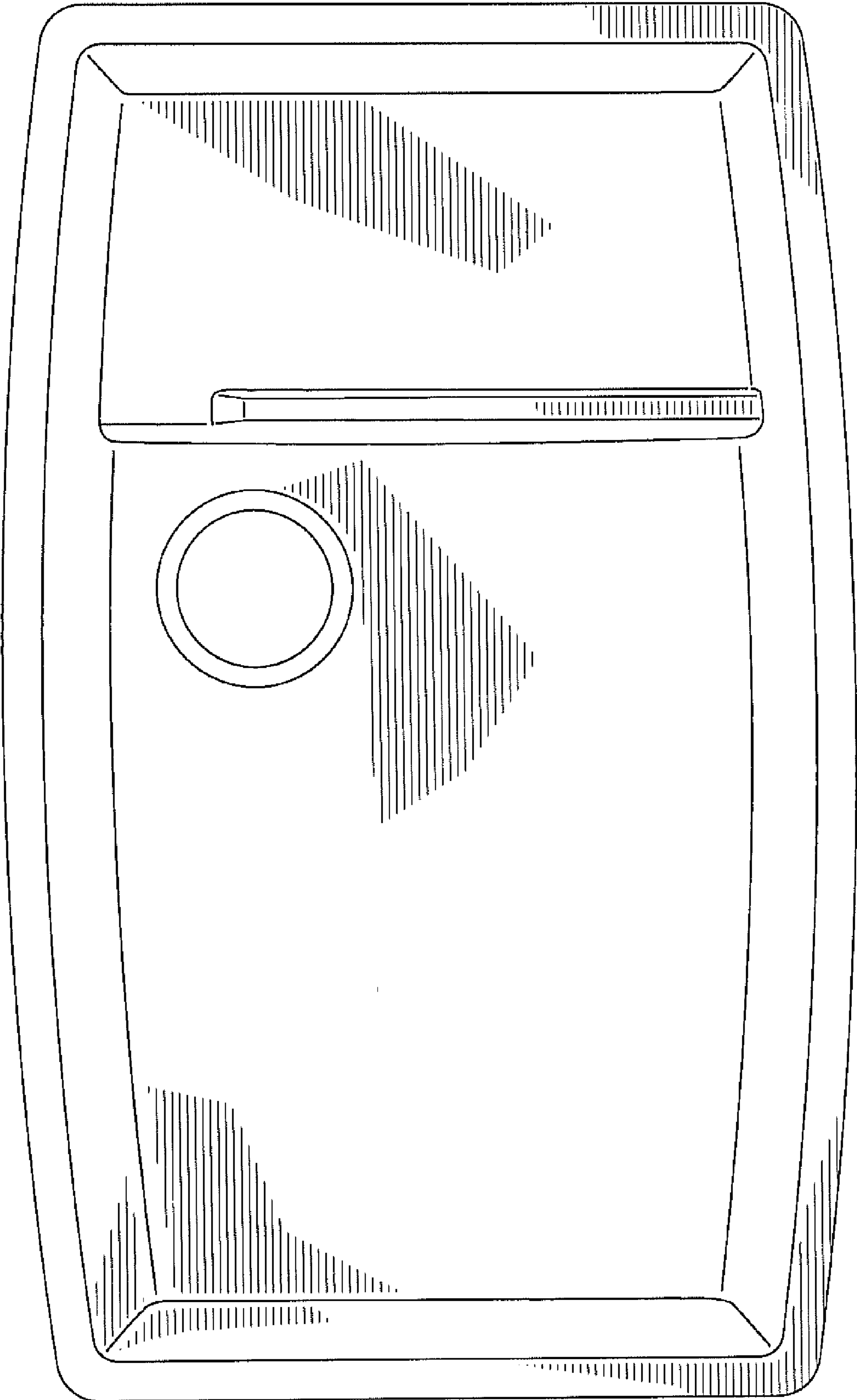


FIG. 3

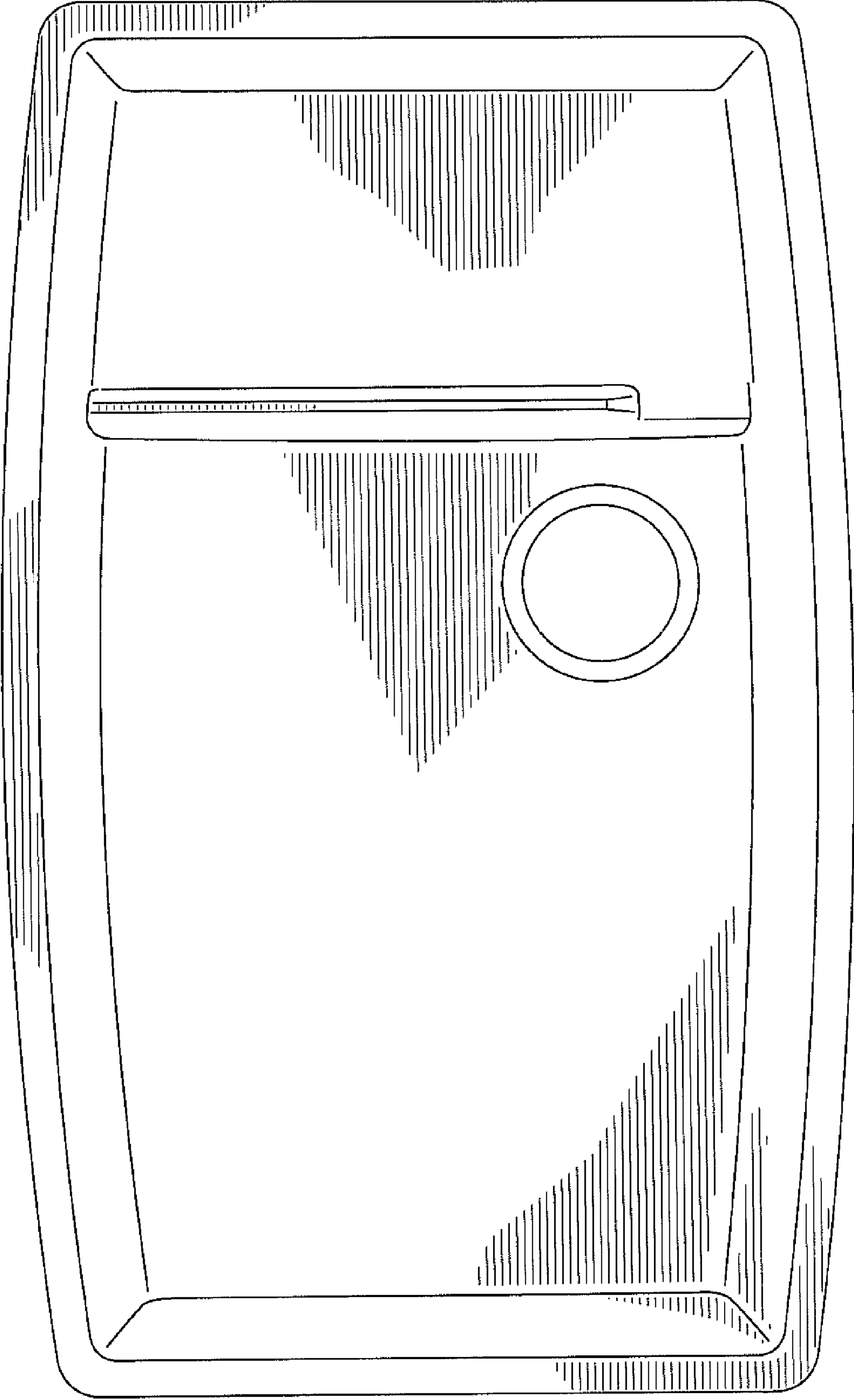


FIG. 4



FIG. 5



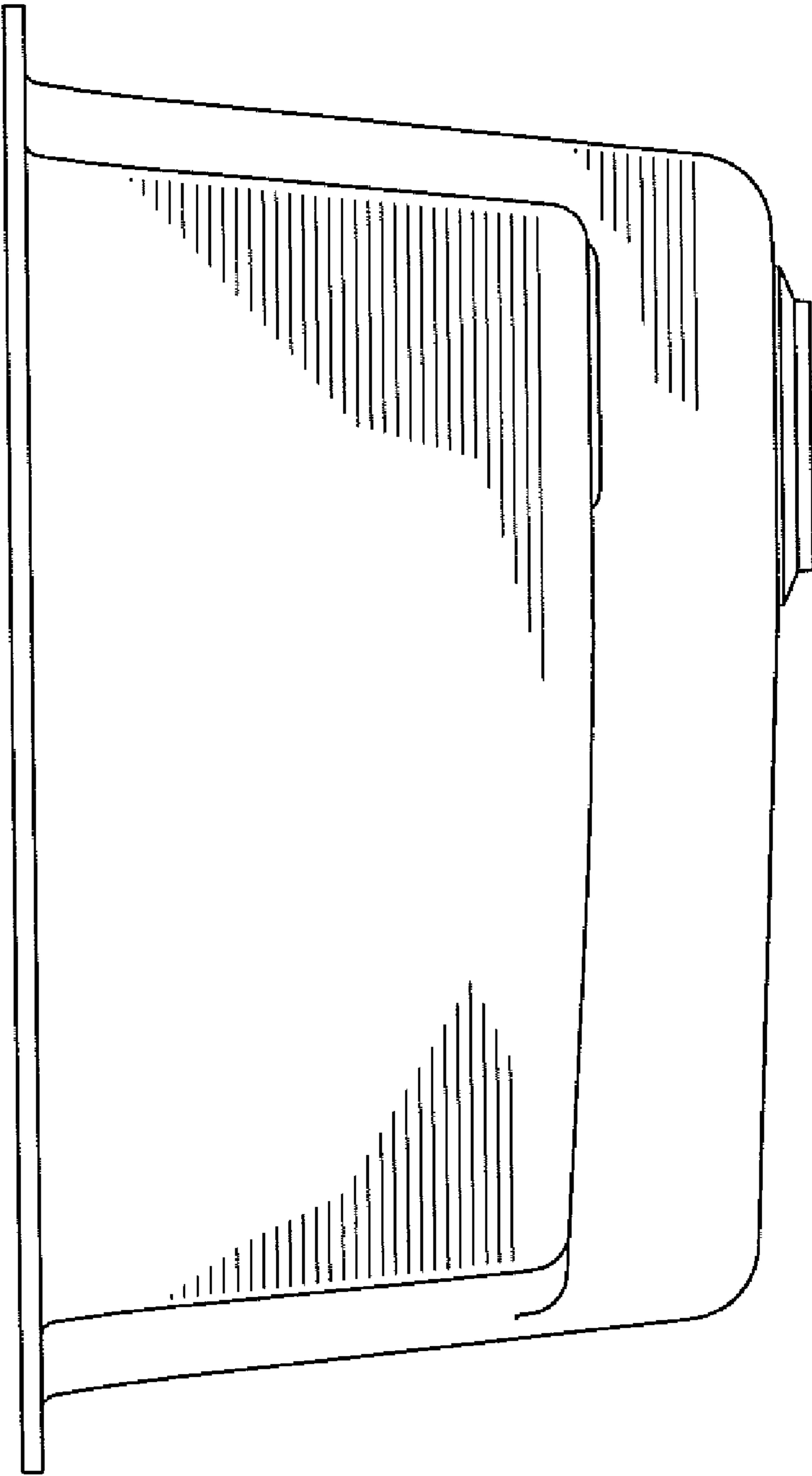


FIG. 6

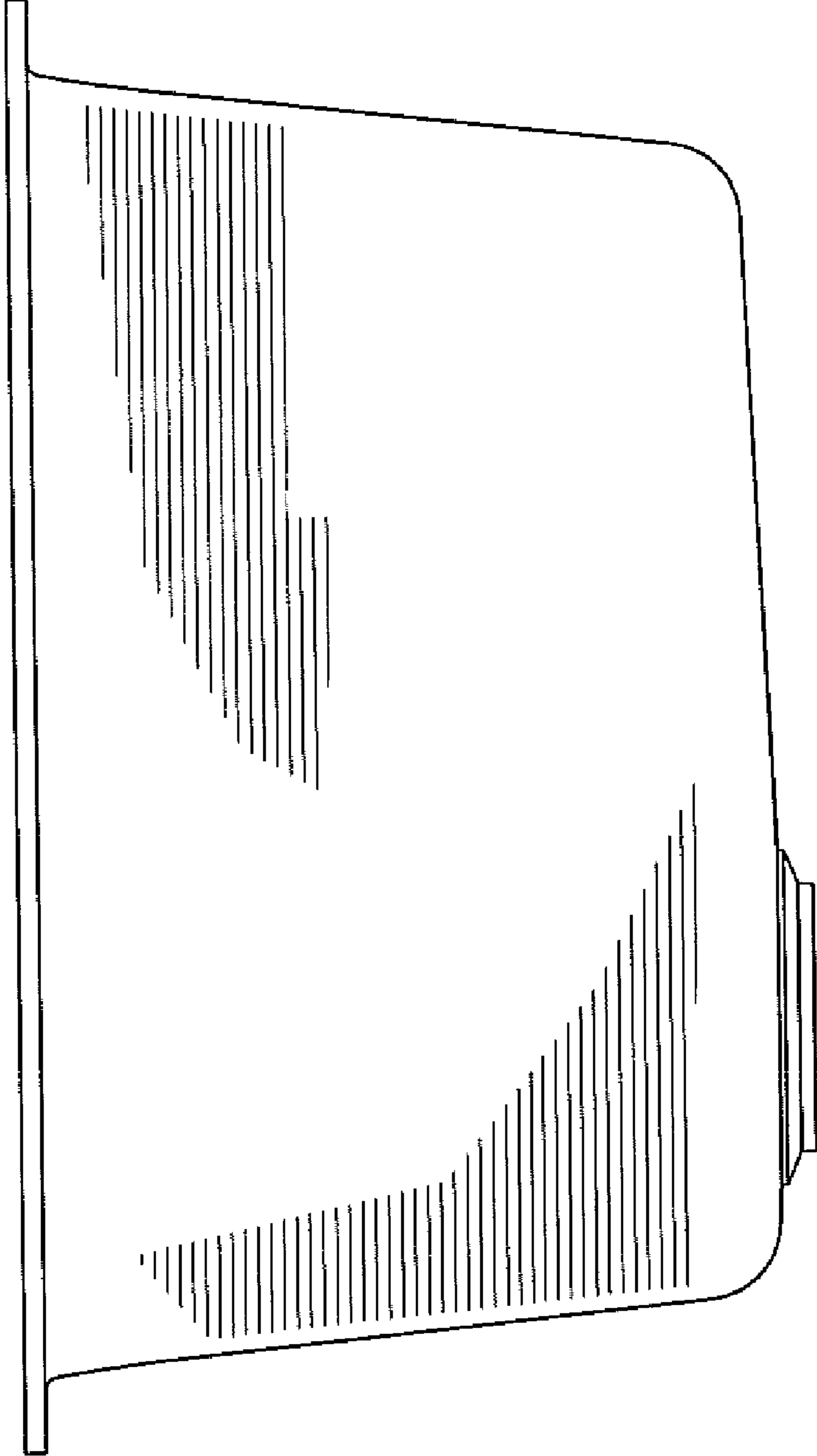


FIG. 7