



US00D575378S

(12) **United States Design Patent**
Hedlund et al.

(10) **Patent No.:** **US D575,378 S**
(45) **Date of Patent:** **** Aug. 19, 2008**

(54) **JOINT FOR PIPES TO BE USED IN ARMS
FOR EXTRACTION OF GASES/FUMES**

3,908,208 A * 9/1975 McIlroy 4/679
D331,798 S * 12/1992 Klingbyle D23/263
6,125,891 A * 10/2000 Witmer et al. 138/177
D456,493 S * 4/2002 Paterson et al. D23/263
D496,989 S * 10/2004 Riese D23/263

(75) Inventors: **Per Hedlund**, Helsingborg (SE); **Björn Friberg**, Landskrona (SE); **Anders Nilsson**, Helsingborg (SE); **Lennart Strömberg**, Helsingborg (SE)

* cited by examiner

(73) Assignee: **AB Ph. Nederman & Co.**, Helsingborg (SE)

Primary Examiner—Louis S Zarfaz

Assistant Examiner—Eric L Goodman

(**) Term: **14 Years**

(74) *Attorney, Agent, or Firm*—Buchanan Ingersoll & Rooney PC

(21) Appl. No.: **29/263,217**

(57) **CLAIM**

(22) Filed: **Jul. 19, 2006**

The ornamental design for a joint for pipes to be used in arms for extraction of gases/fumes, as shown.

(30) **Foreign Application Priority Data**

DESCRIPTION

Jan. 20, 2006 (EM) 000467774

FIG. 1 shows a perspective view of the joint

(51) **LOC (8) Cl.** **23-01**

FIG. 2 shows a perspective view of the joint

(52) **U.S. Cl.** **D23/262**

FIG. 3 shows a front view of the joint

(58) **Field of Classification Search** D23/259–269,
D23/371–372; 285/104–105, 337, 179–185,
285/134.1, 135.1–135.5; 454/63, 65

FIG. 4 shows a back view of the joint

See application file for complete search history.

FIG. 5 shows a side view of the joint

FIG. 6 shows a side view of the joint

(56) **References Cited**

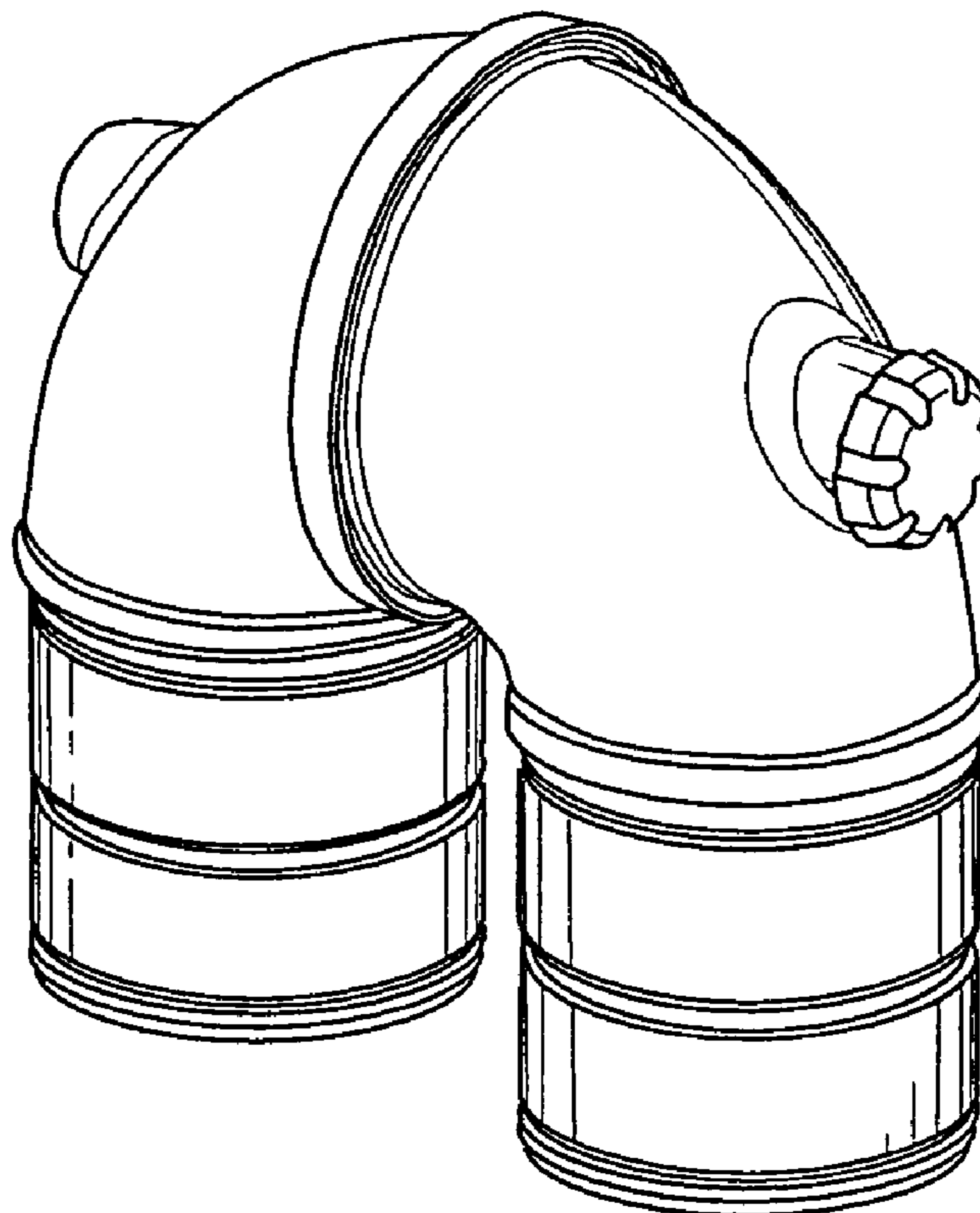
FIG. 7 shows a top view of the joint; and,

FIG. 8 shows a bottom view of the joint.

U.S. PATENT DOCUMENTS

2,409,023 A * 10/1946 Dies 29/890.147

1 Claim, 4 Drawing Sheets



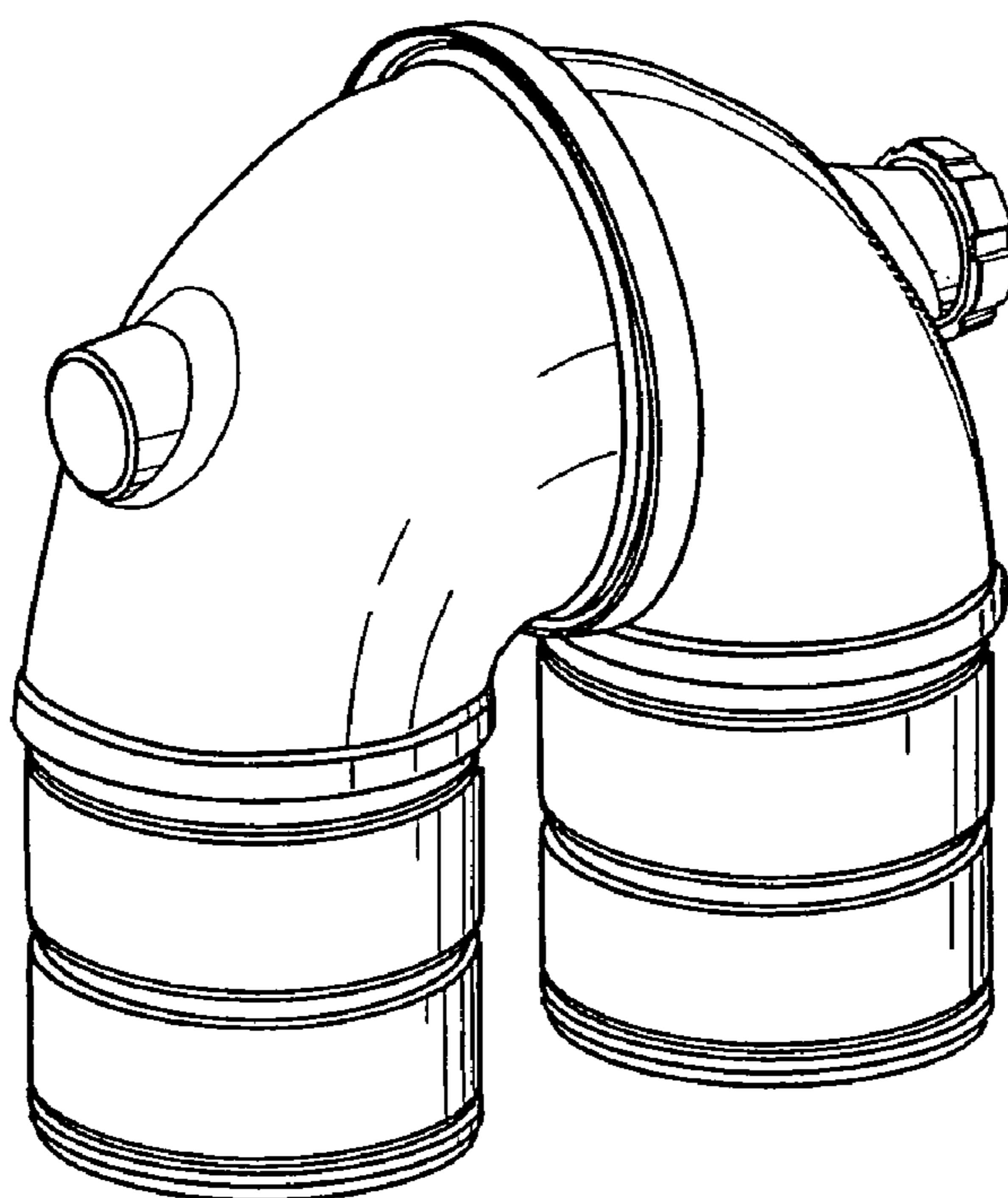


Fig. 1

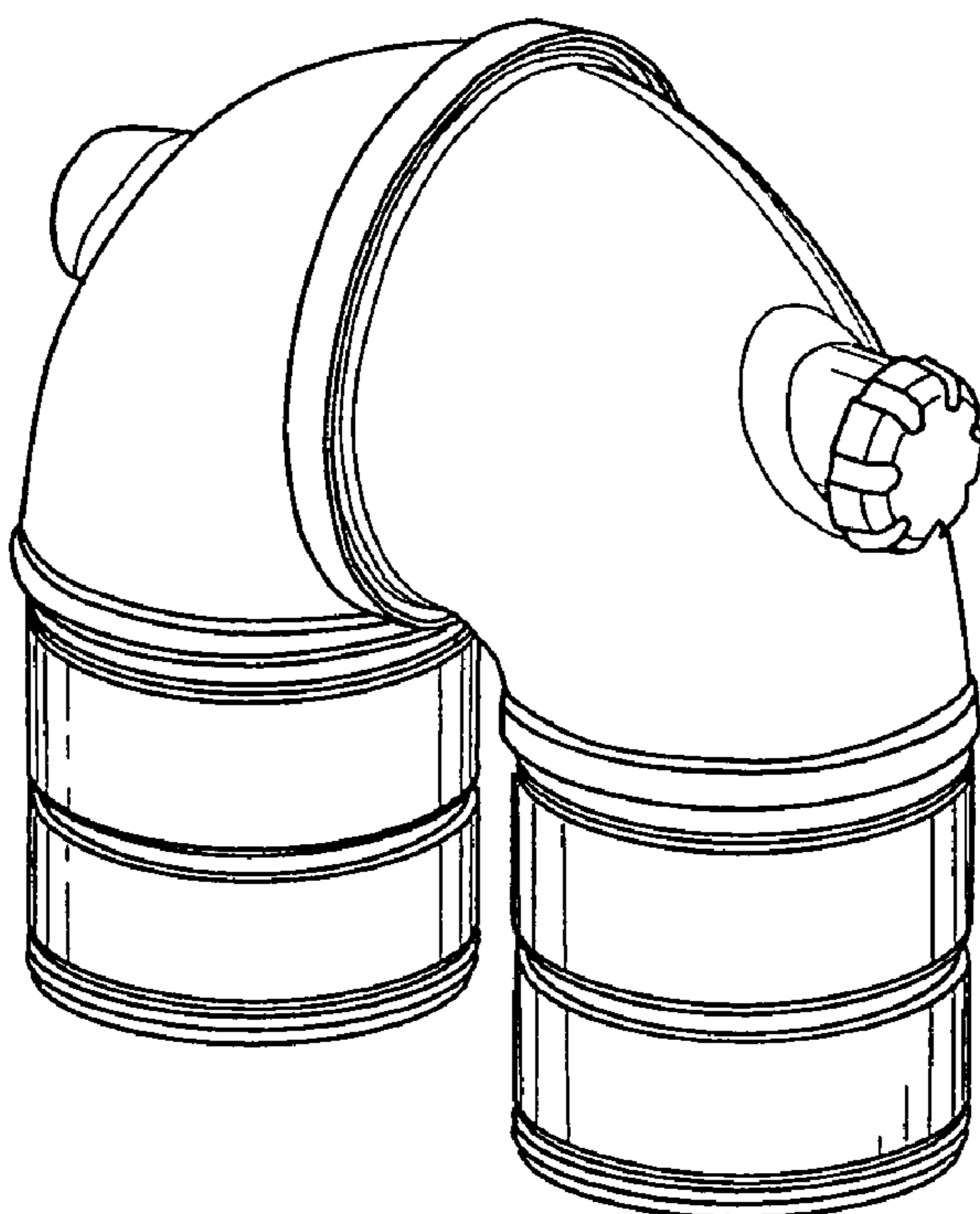


Fig. 2

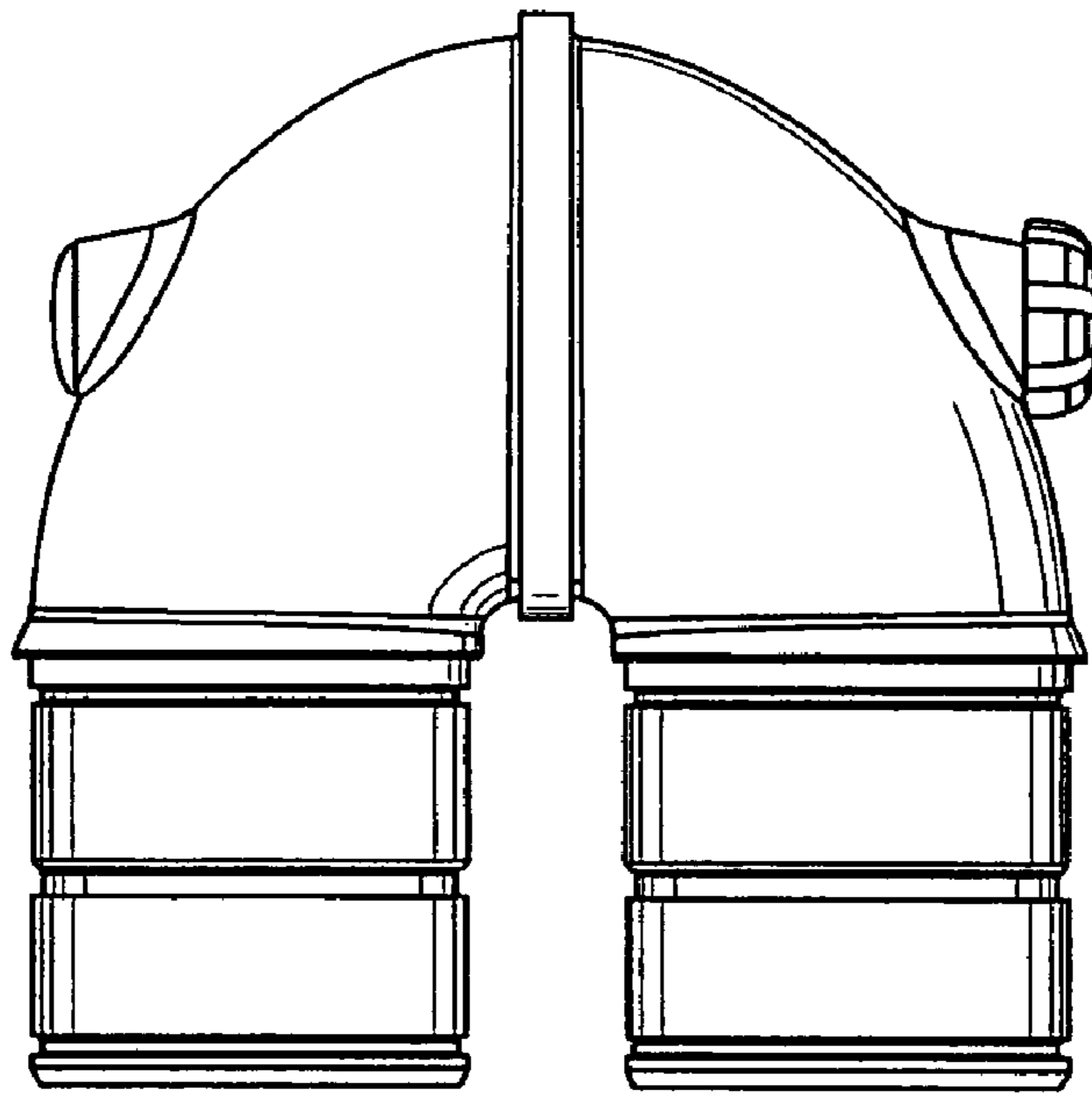


Fig. 3

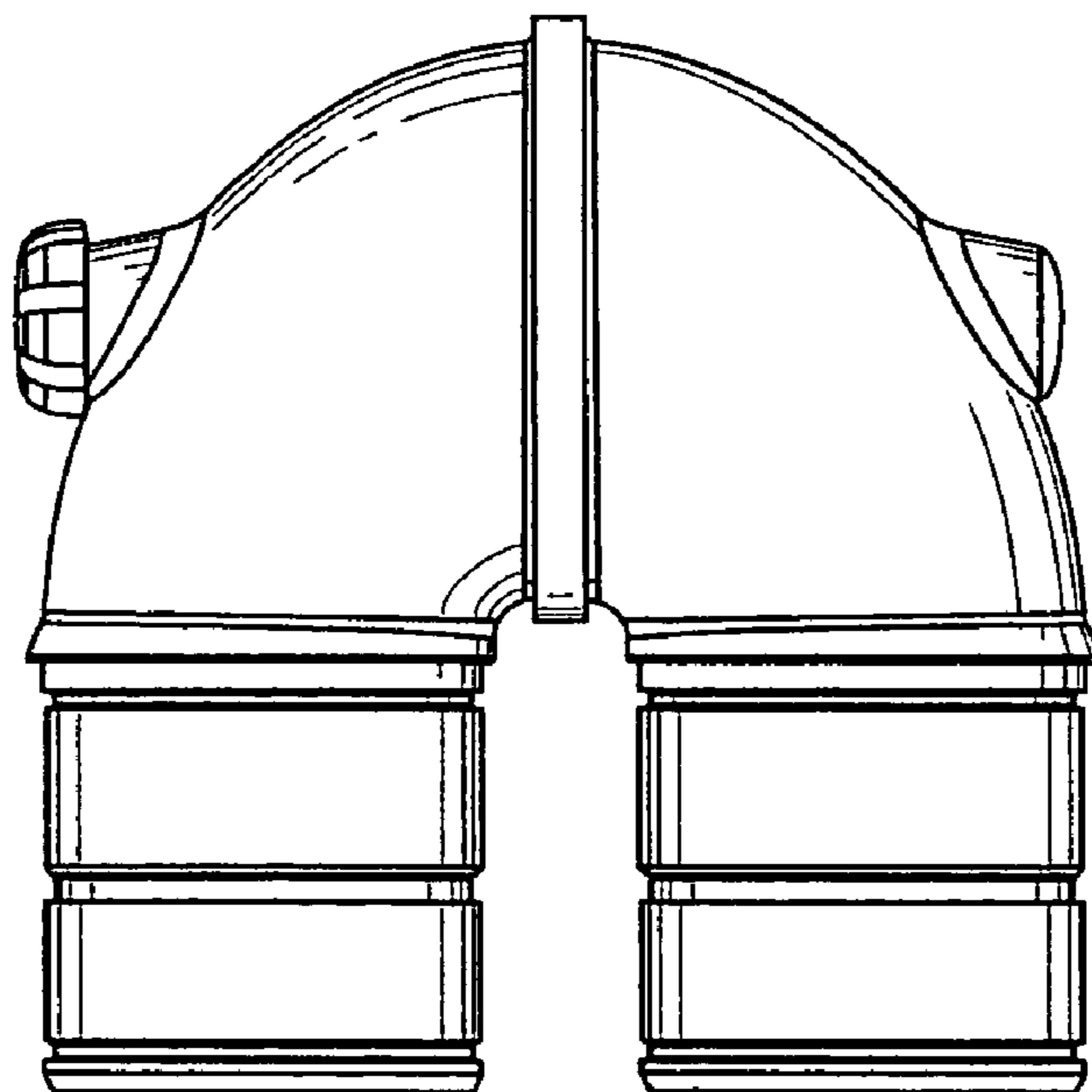


Fig. 4

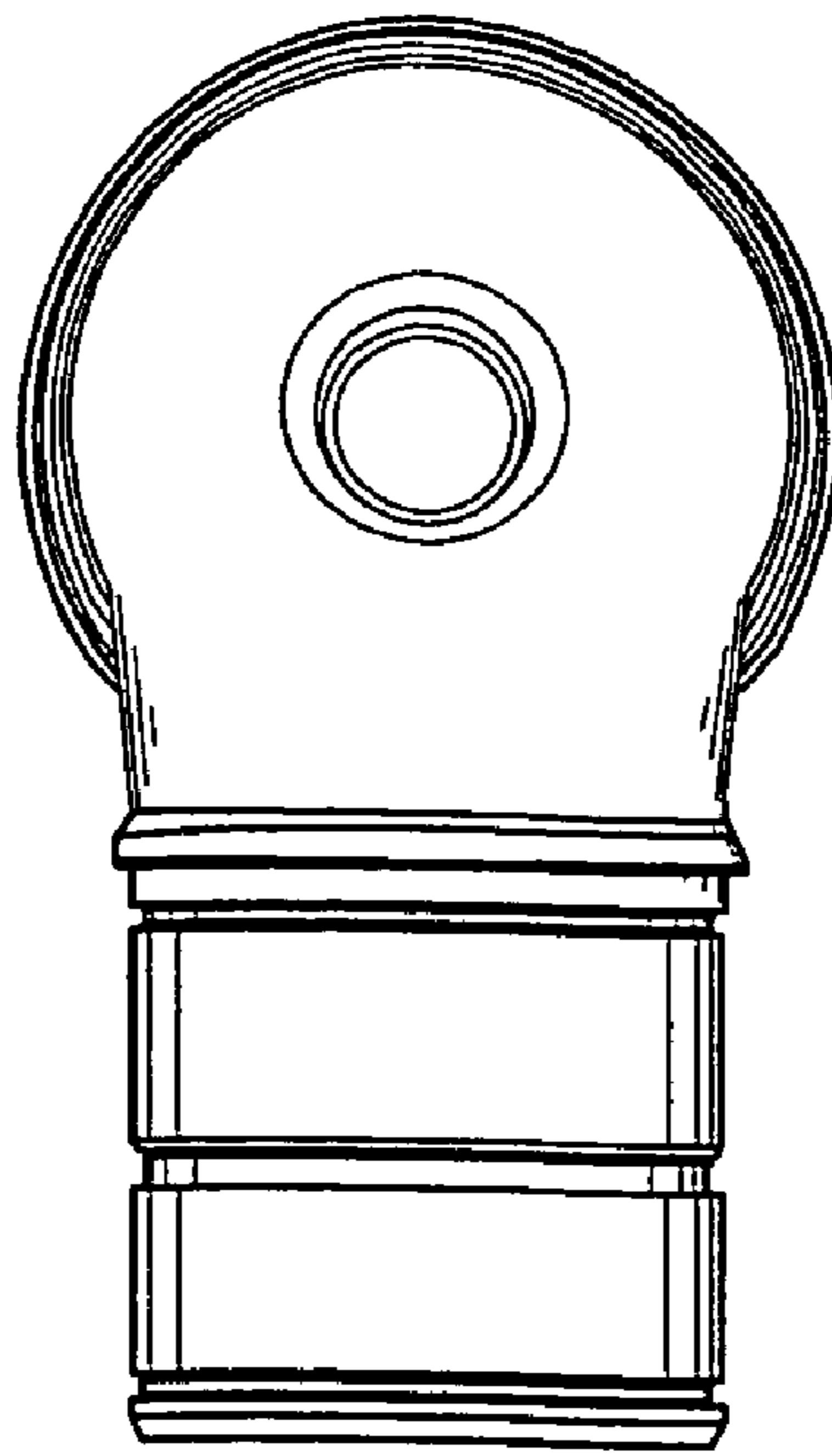


Fig. 5

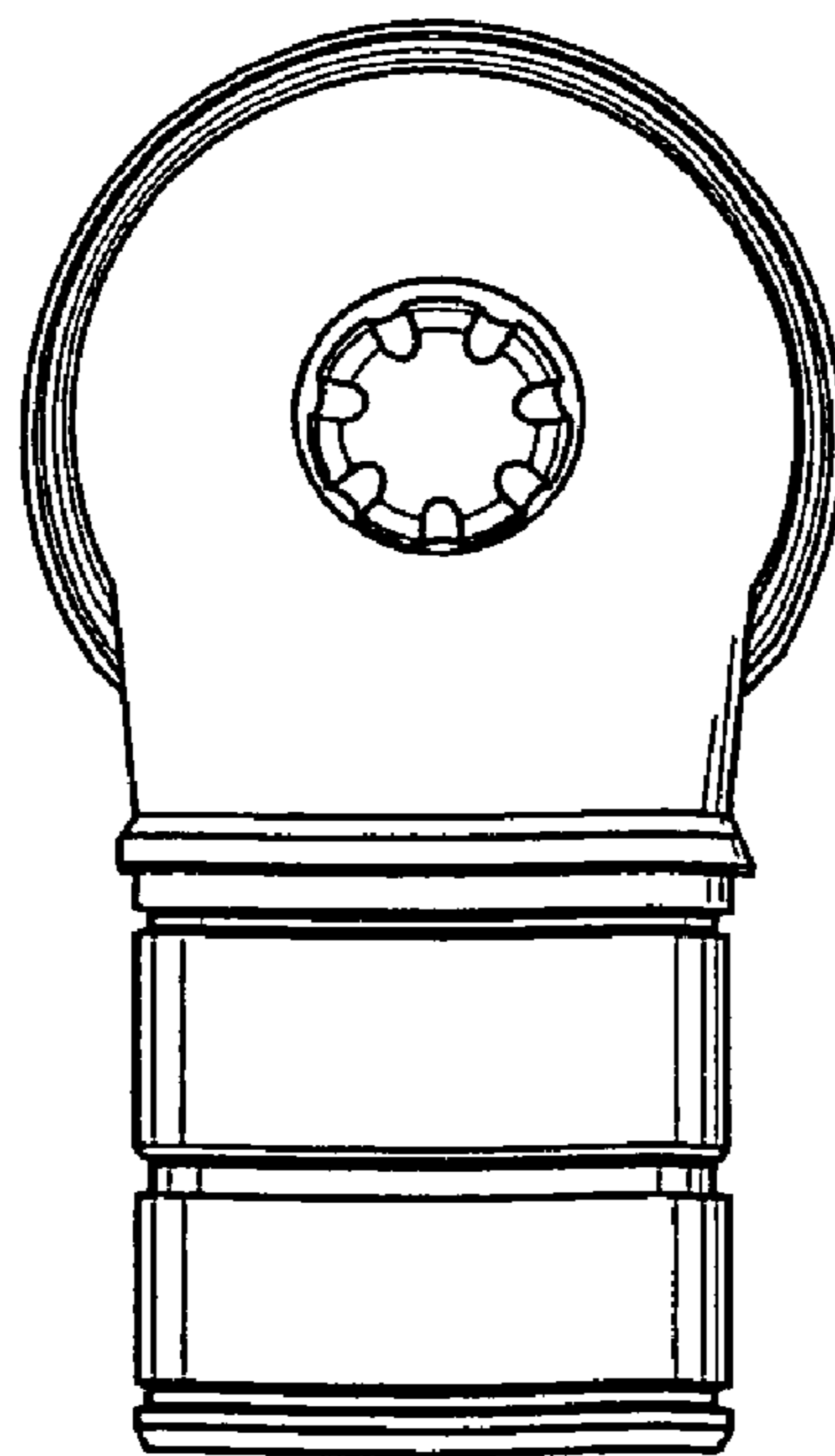


Fig. 6

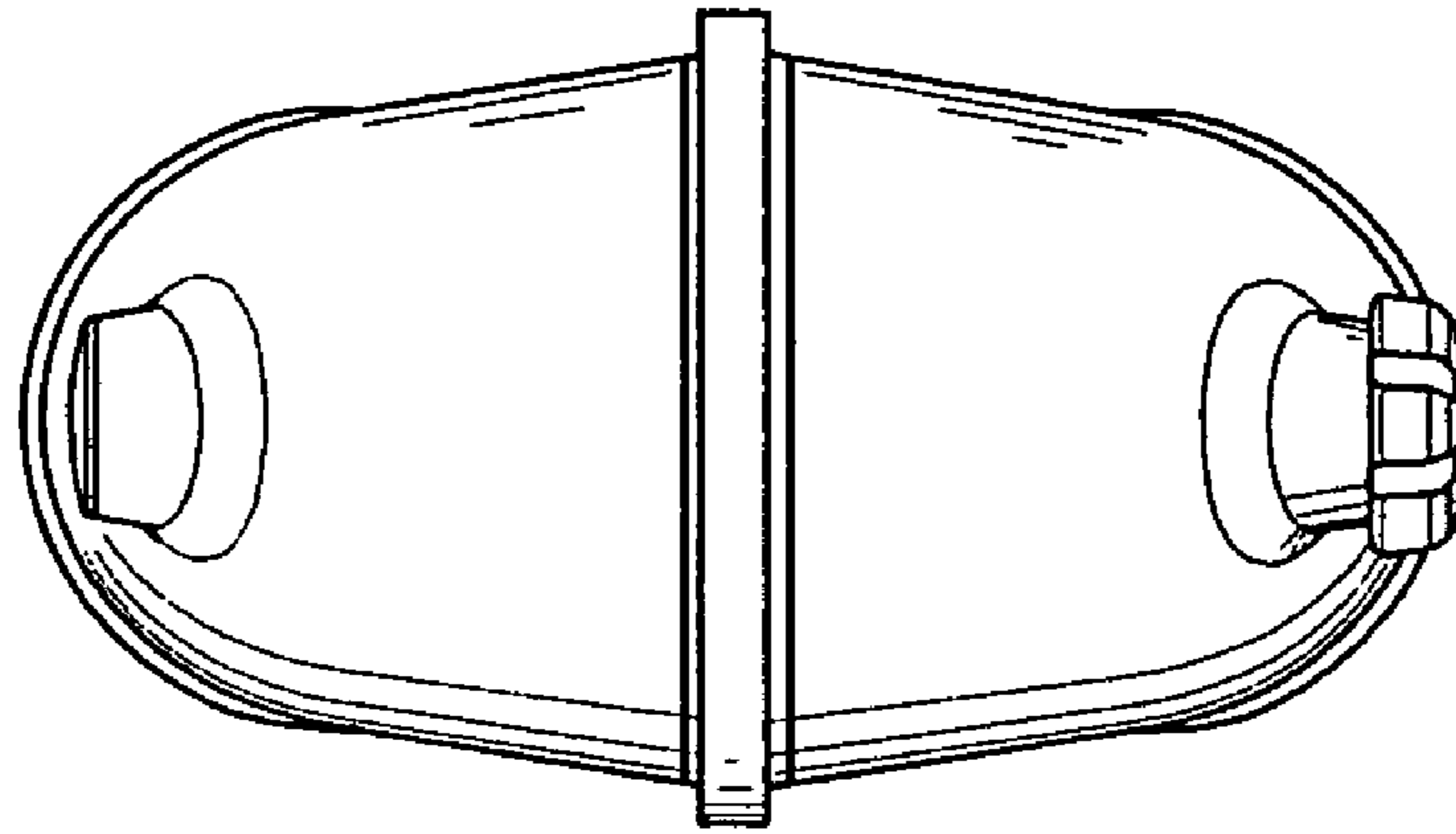


Fig. 7

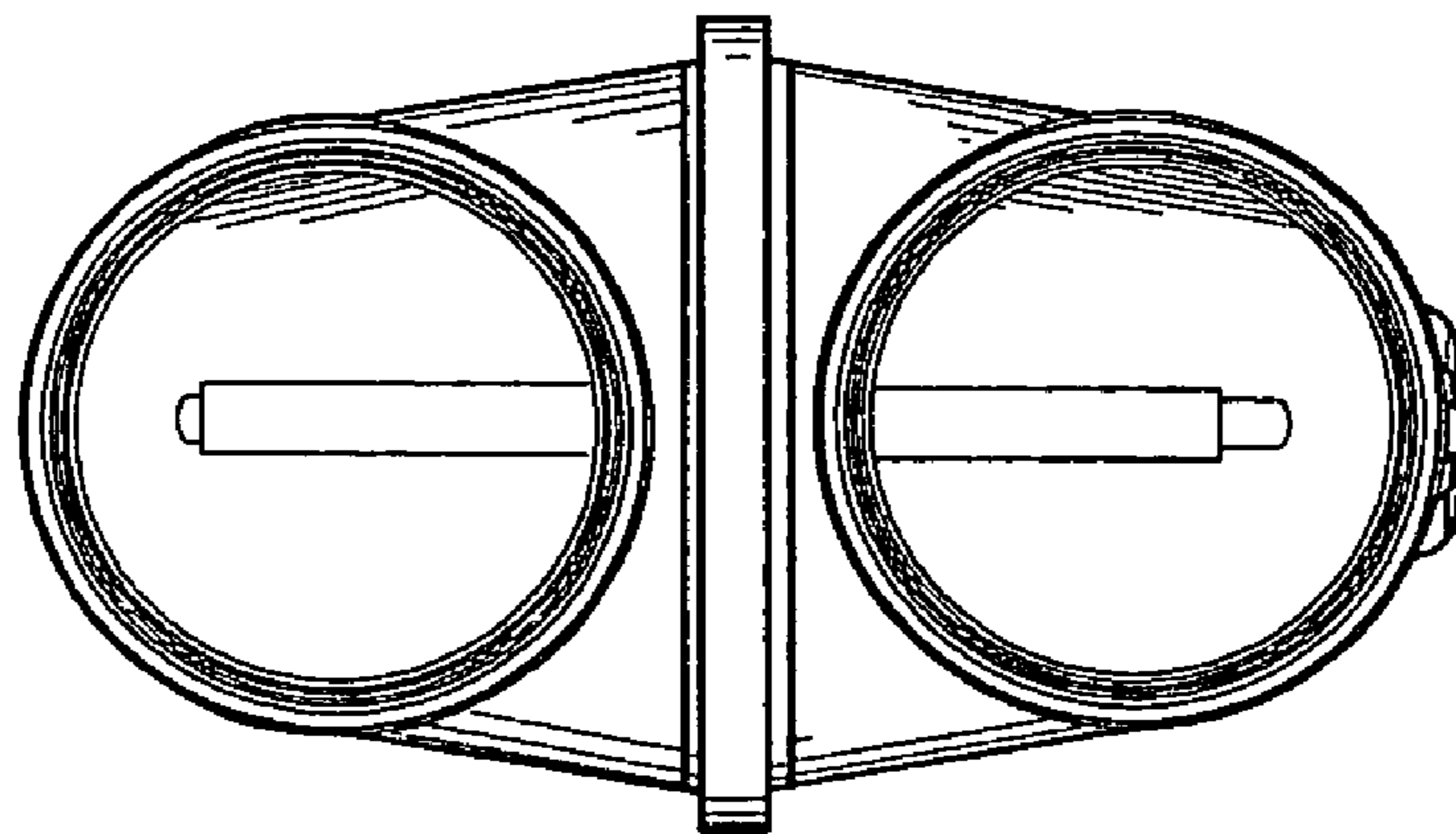


Fig. 8