



US00D575377S

(12) **United States Design Patent**
Roman

(10) **Patent No.:** **US D575,377 S**

(45) **Date of Patent:** **** Aug. 19, 2008**

(54) **HOSE FITTING**

(75) Inventor: **Gianfranco Roman**, Pasiano (IT)

(73) Assignee: **Claber Spa**, Fiume Veneto PN (IT)

(**) Term: **14 Years**

(21) Appl. No.: **29/257,776**

(22) Filed: **Apr. 11, 2006**

(30) **Foreign Application Priority Data**

Oct. 14, 2005 (EM) 000418041

(51) **LOC (8) Cl.** **23-01**

(52) **U.S. Cl.** **D23/259**

(58) **Field of Classification Search** D23/259,
D23/262, 264; D8/397; 411/910; 285/38
See application file for complete search history.

(56) **References Cited**

U.S. PATENT DOCUMENTS

D299,267 S * 1/1989 Roman D23/262
D320,842 S * 10/1991 Roman D23/262

D334,617 S * 4/1993 Roman D23/262
D437,919 S * 2/2001 Chao D23/262
D458,352 S * 6/2002 Chen D23/262
D473,633 S * 4/2003 Chun-Lee D23/262

* cited by examiner

Primary Examiner—Louis S Zarfaz

Assistant Examiner—Eric L Goodman

(74) *Attorney, Agent, or Firm*—Jacobson Holman PLLC

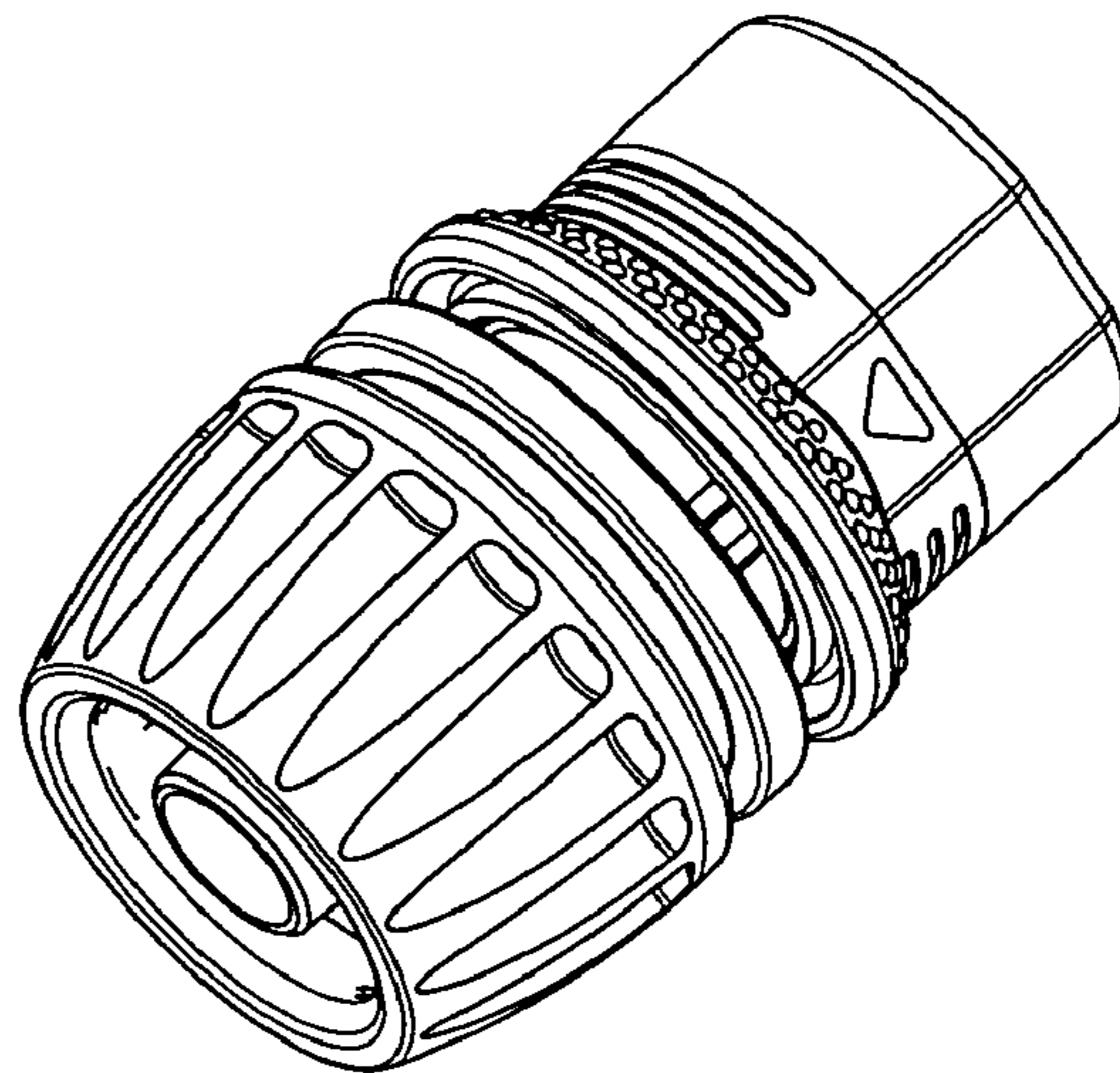
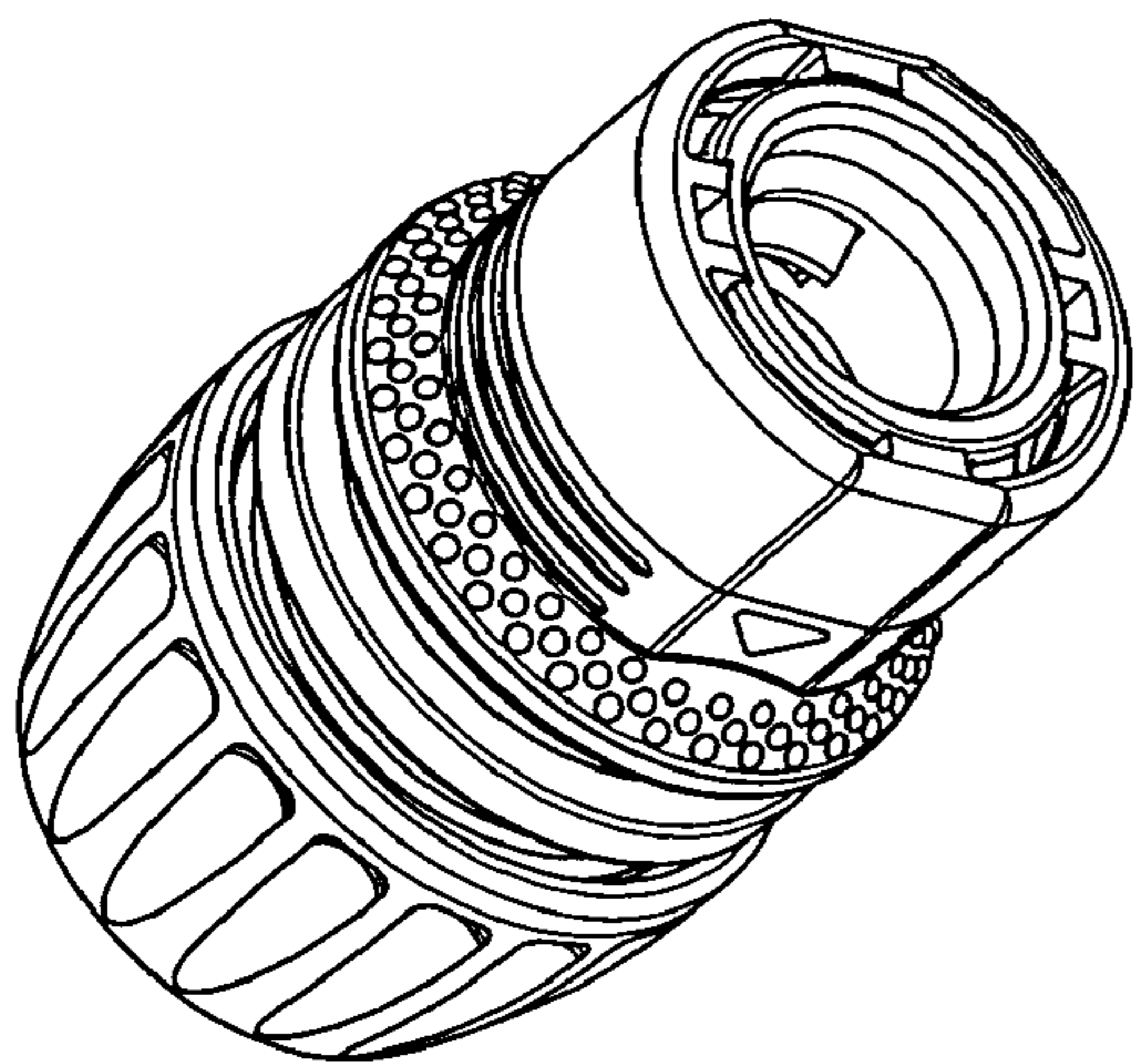
(57) **CLAIM**

I claim, the ornamental design for a “hose fitting,” as shown and described.

DESCRIPTION

FIG. 1 shows a perspective top view of the hose fitting;
FIG. 2 shows a perspective bottom view of the hose fitting;
FIG. 3 shows a left-hand lateral view of the hose fitting;
FIG. 4 shows a right-hand lateral view of the hose fitting;
FIG. 5 shows a top view of the hose fitting; and,
FIG. 6 shows a bottom view of the hose fitting.

1 Claim, 2 Drawing Sheets



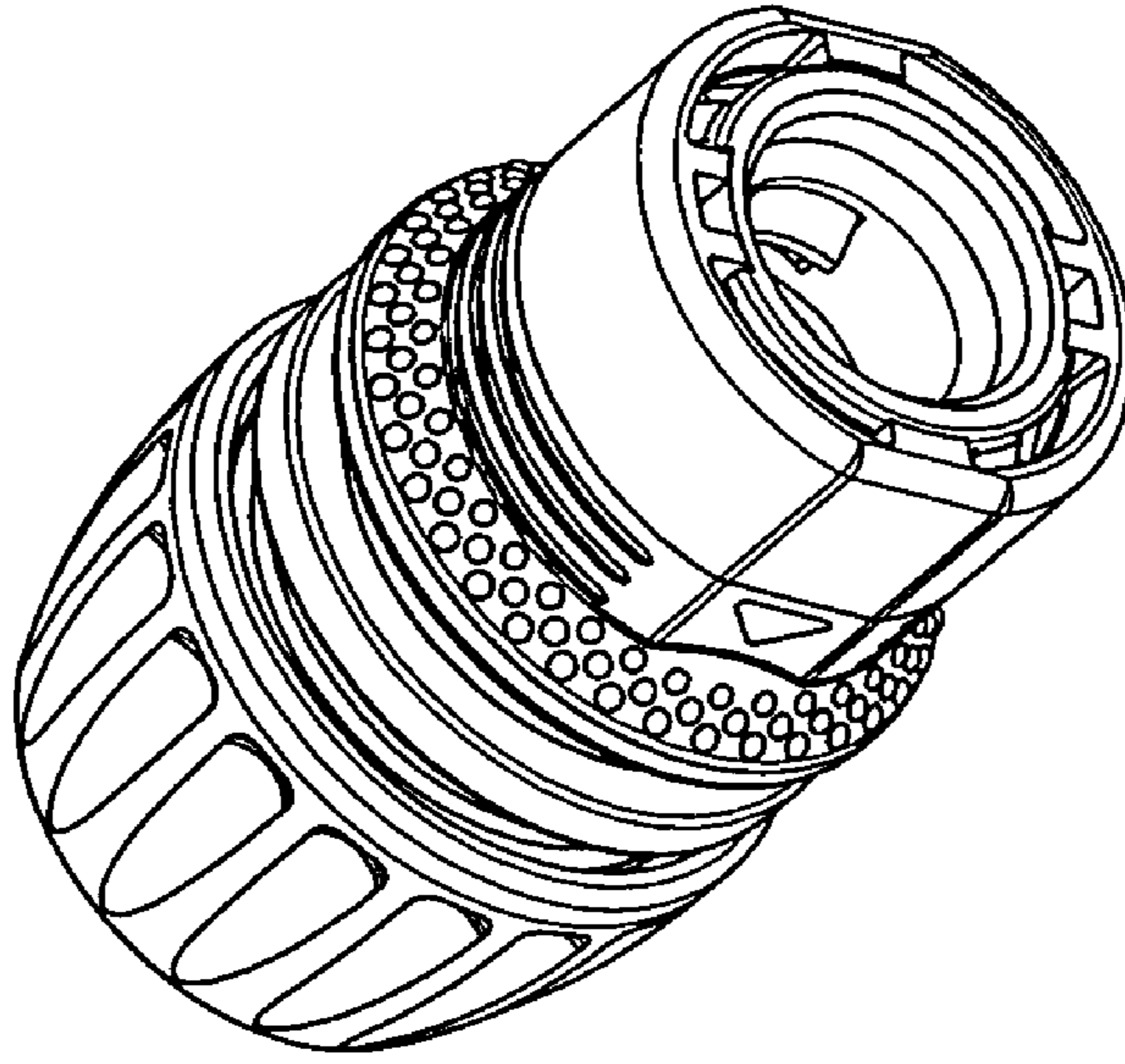


FIG.1

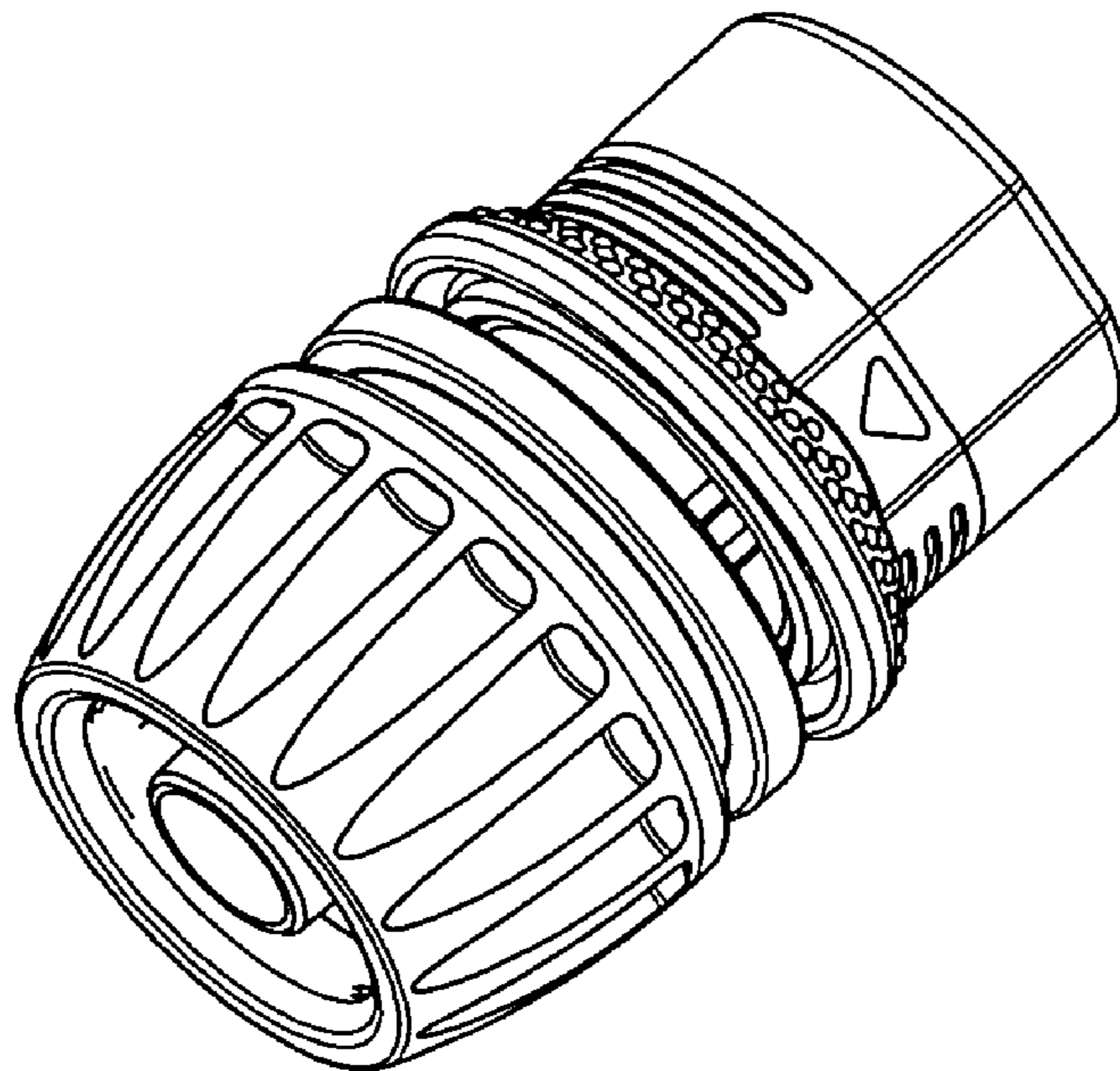


FIG.2

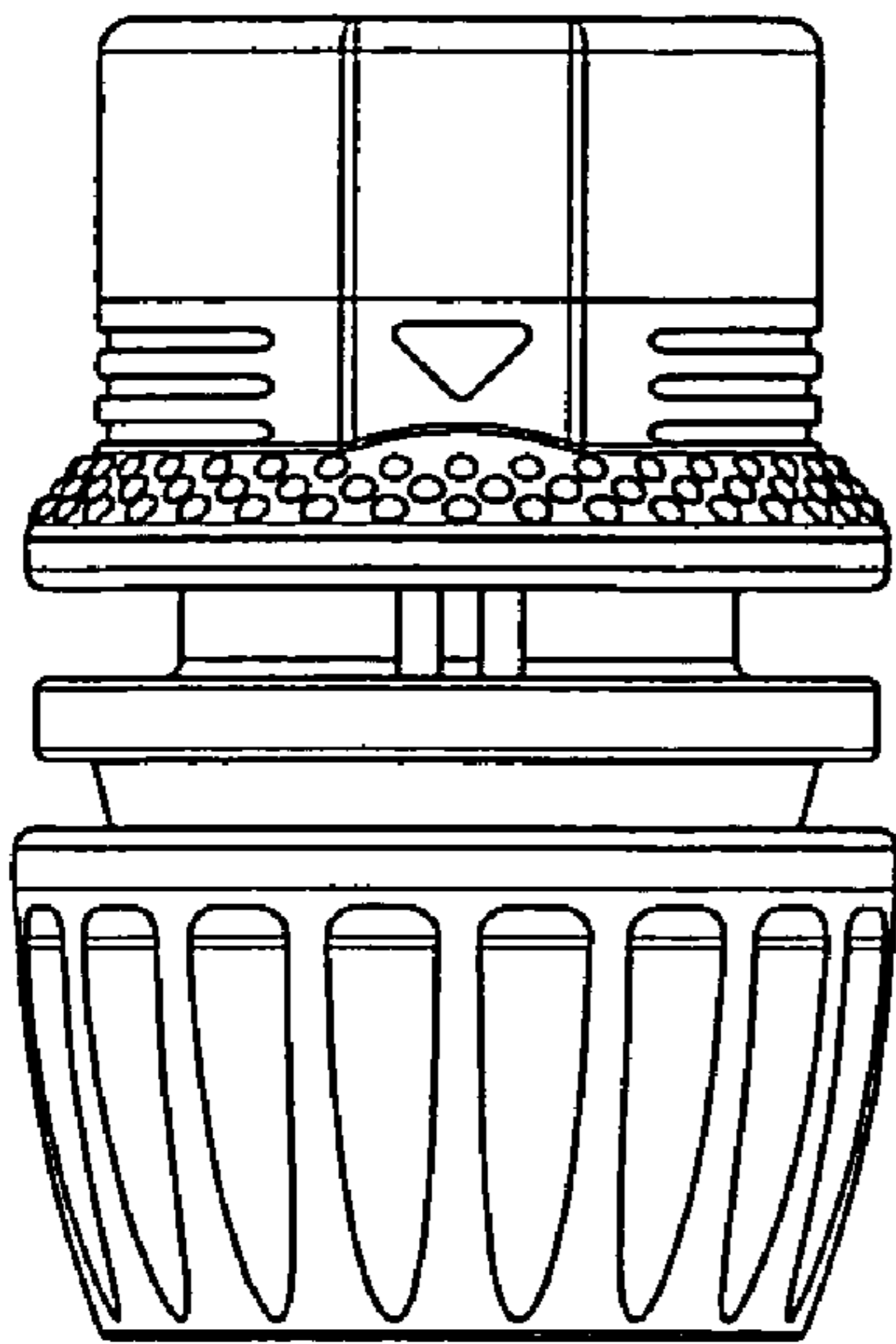


FIG. 3

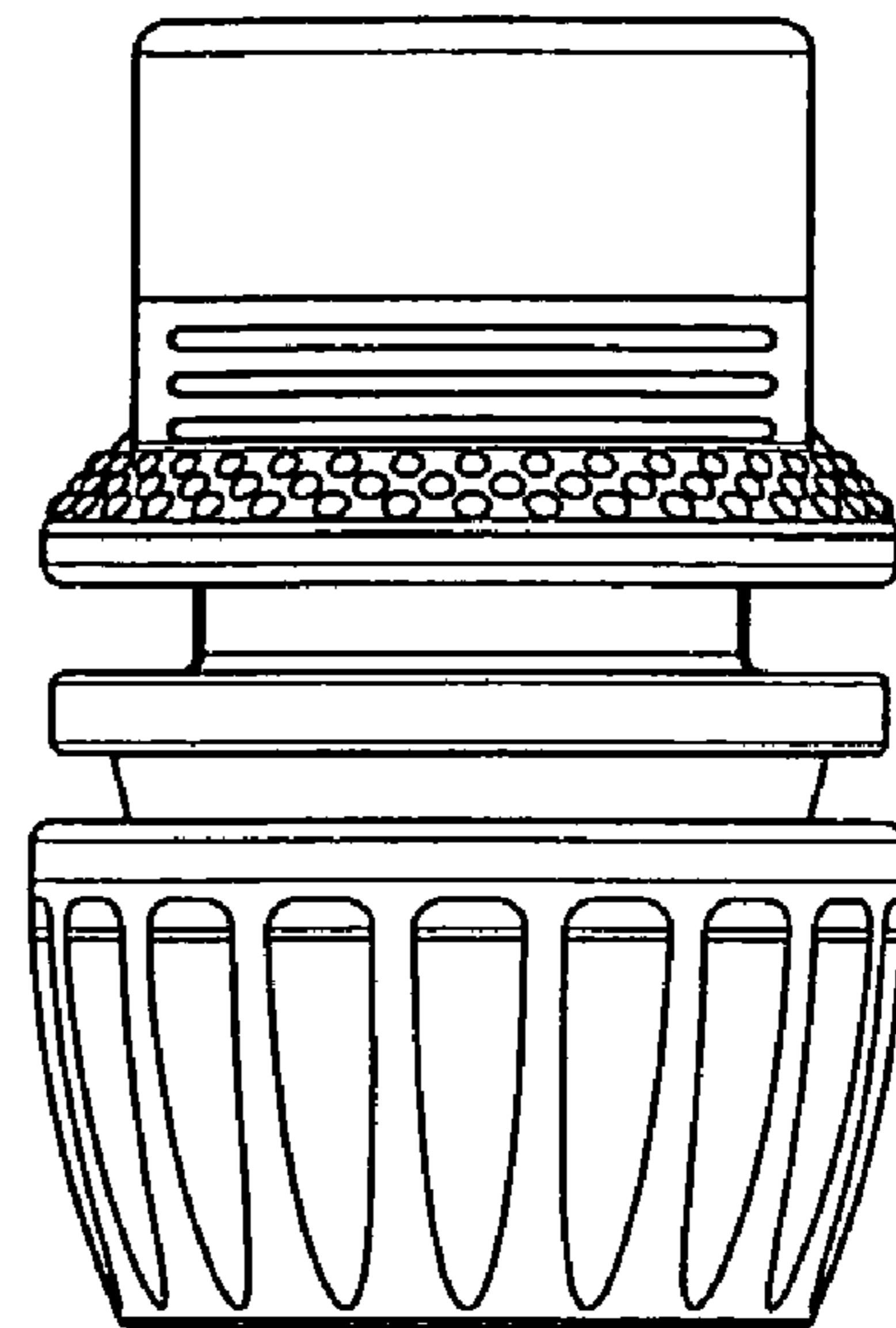


FIG. 4

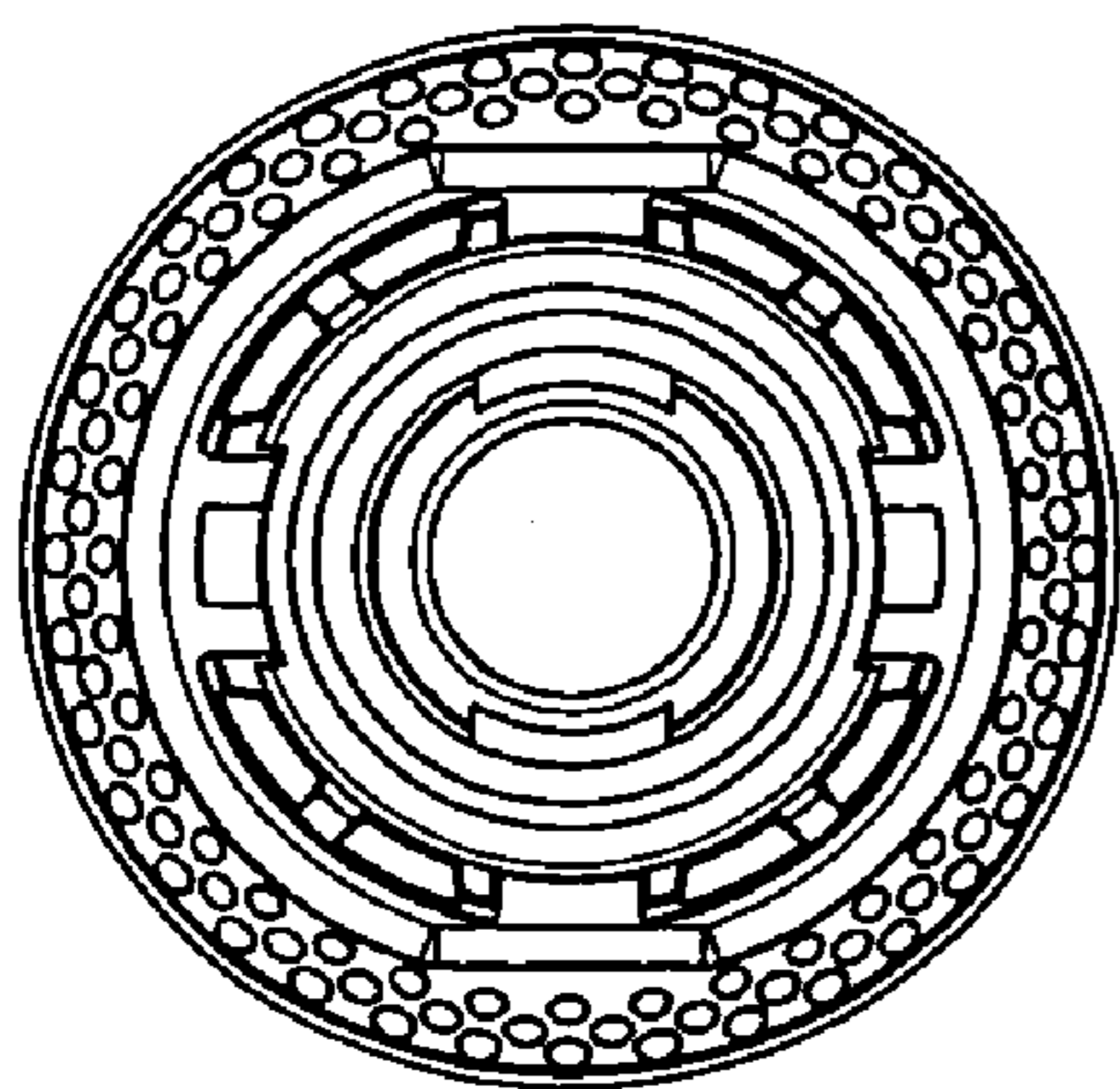


FIG. 5

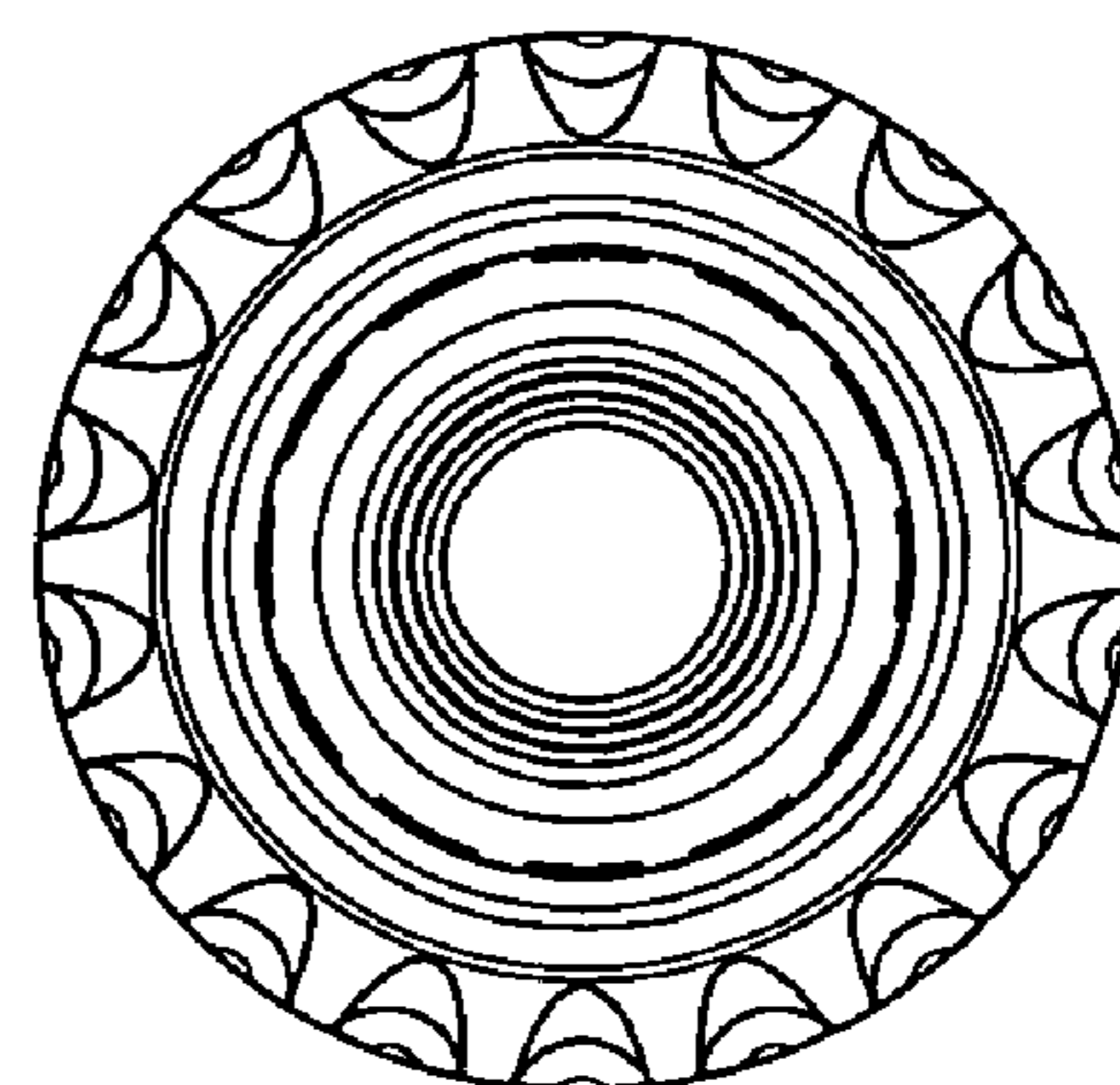


FIG. 6