



US00D575376S

(12) **United States Design Patent**
Somerby

(10) **Patent No.:** **US D575,376 S**

(45) **Date of Patent:** **** Aug. 19, 2008**

(54) **FAUCET-MOUNTED MULTI-FLAVORED
WATER DISPENSING UNIT**

(76) **Inventor:** **Kendall Bancroft Somerby**, 5697 Pentz Rd., Paradise, CA (US) 95969

(**) **Term:** **14 Years**

(21) **Appl. No.:** **29/281,755**

(22) **Filed:** **Jun. 29, 2007**

(51) **LOC (8) Cl.** **23-01**

(52) **U.S. Cl.** **D23/239; D23/207; D23/249**

(58) **Field of Classification Search** D23/200,
D23/238-257; D6/512, 546, 550; D8/300,
D8/307-308, 310-312, 321; 4/675-678;
137/801; 16/110.1, 441

See application file for complete search history.

(56) **References Cited**

U.S. PATENT DOCUMENTS

| | | | | |
|--------------|---------|---------------|-------|---------|
| D223,647 S * | 5/1972 | Cornelius | | D7/398 |
| D328,942 S * | 8/1992 | Igami et al. | | D23/209 |
| D438,592 S * | 3/2001 | Gaston et al. | | D23/209 |
| D453,952 S * | 2/2002 | Gaston et al. | | D23/209 |
| D484,567 S * | 12/2003 | Gaston et al. | | D23/209 |
| D498,511 S * | 11/2004 | Warren et al. | | D23/209 |
| D498,512 S * | 11/2004 | Warren et al. | | D23/209 |
| D533,622 S * | 12/2006 | Ross et al. | | D23/209 |
| D541,372 S * | 4/2007 | Warren et al. | | D23/209 |

* cited by examiner

Primary Examiner—Robert A. Delehanty

Assistant Examiner—Mark Cavanna

(74) *Attorney, Agent, or Firm*—QuickPatents, Inc.; Kevin Prince

(57) **CLAIM**

I claim the ornamental design for a faucet-mounted multi-flavored water dispensing unit, as shown and described.

DESCRIPTION

FIG. 1 is a perspective view of a faucet-mounted multi-flavored water dispensing unit, illustrated with a flavored concentrate compartment cover in an open position, showing my new design;

FIG. 2 is a front elevational view of the invention, illustrated with the flavored concentrate compartment cover in a closed position;

FIG. 3 is a rear elevational view of the invention, illustrated with the flavored concentrate compartment cover in the closed position;

FIG. 4 is a left-side elevational view of the invention, illustrated with the flavored concentrate compartment cover in a closed position;

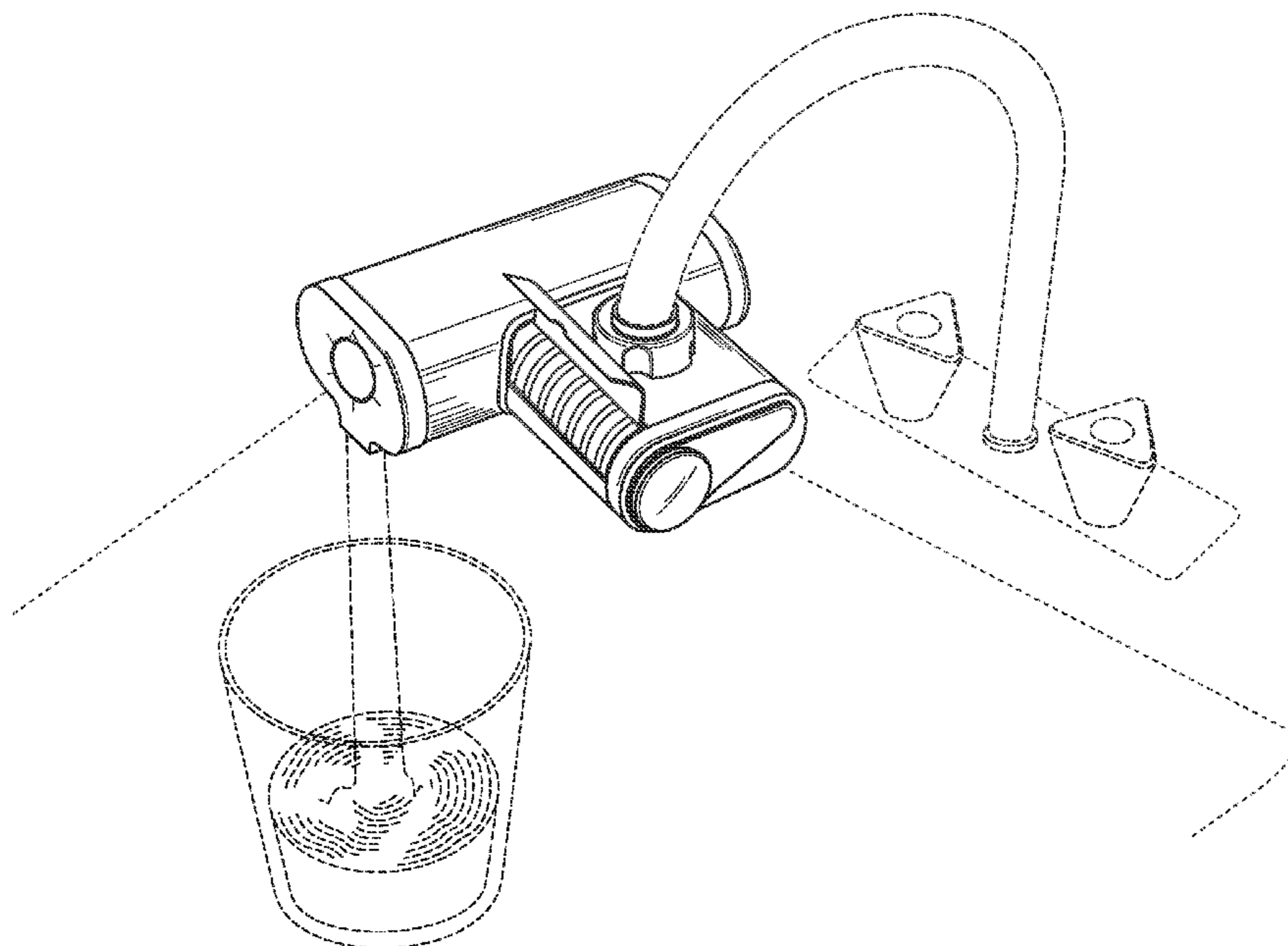
FIG. 5 is a right-side elevational view of the invention, illustrated with the flavored concentrate compartment cover in a closed position;

FIG. 6 is a top plan view of the invention, illustrated with the flavored concentrate compartment cover in a closed position; and,

FIG. 7 is a bottom plan view of the invention, illustrated with the flavored concentrate compartment cover in a closed position.

The broken lines showing a sink faucet dispensing water into a cup in FIG. 1 are included for the purpose of illustrating the invention in use, and forms no part of the claimed design.

1 Claim, 3 Drawing Sheets



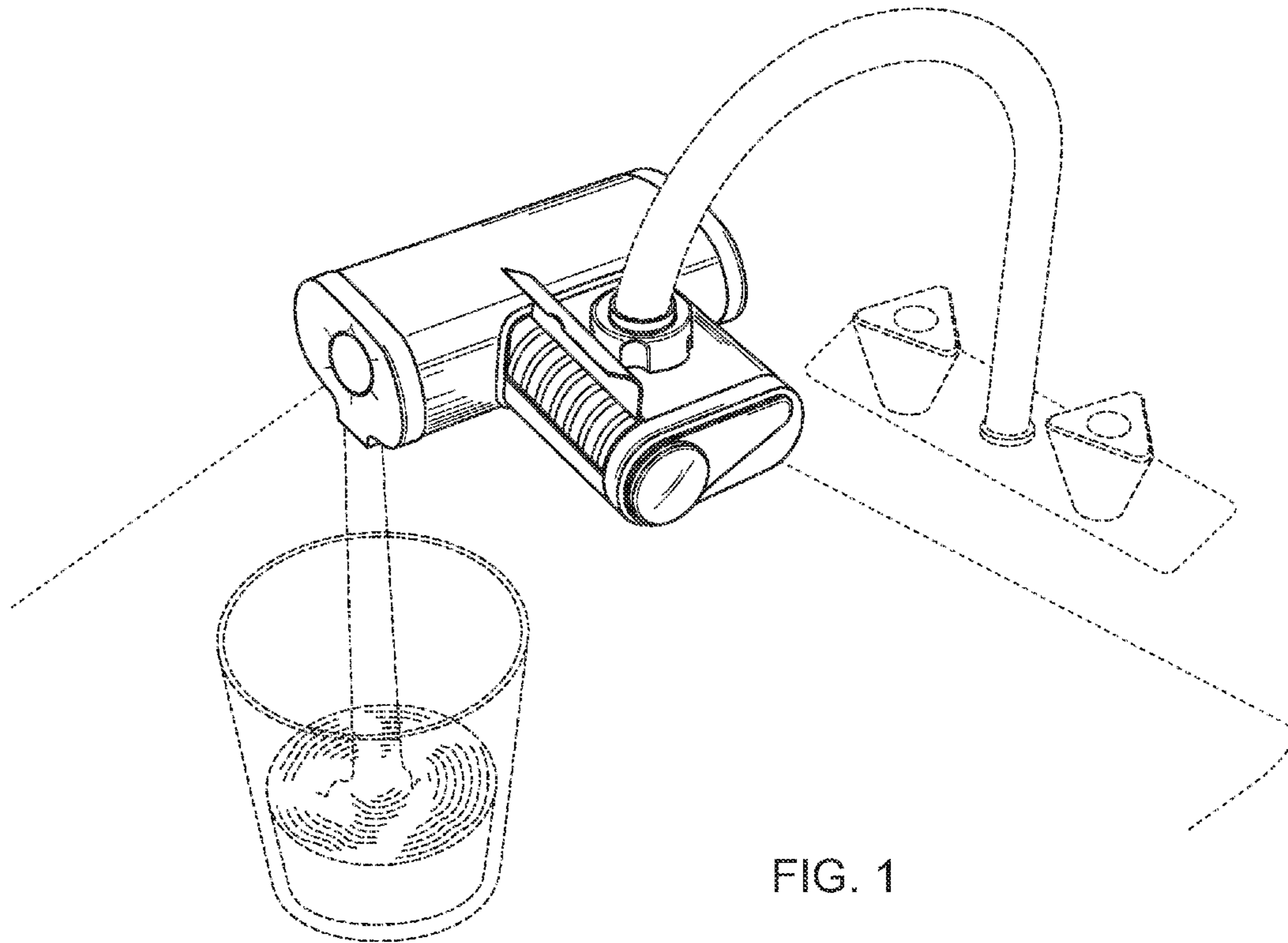


FIG. 1

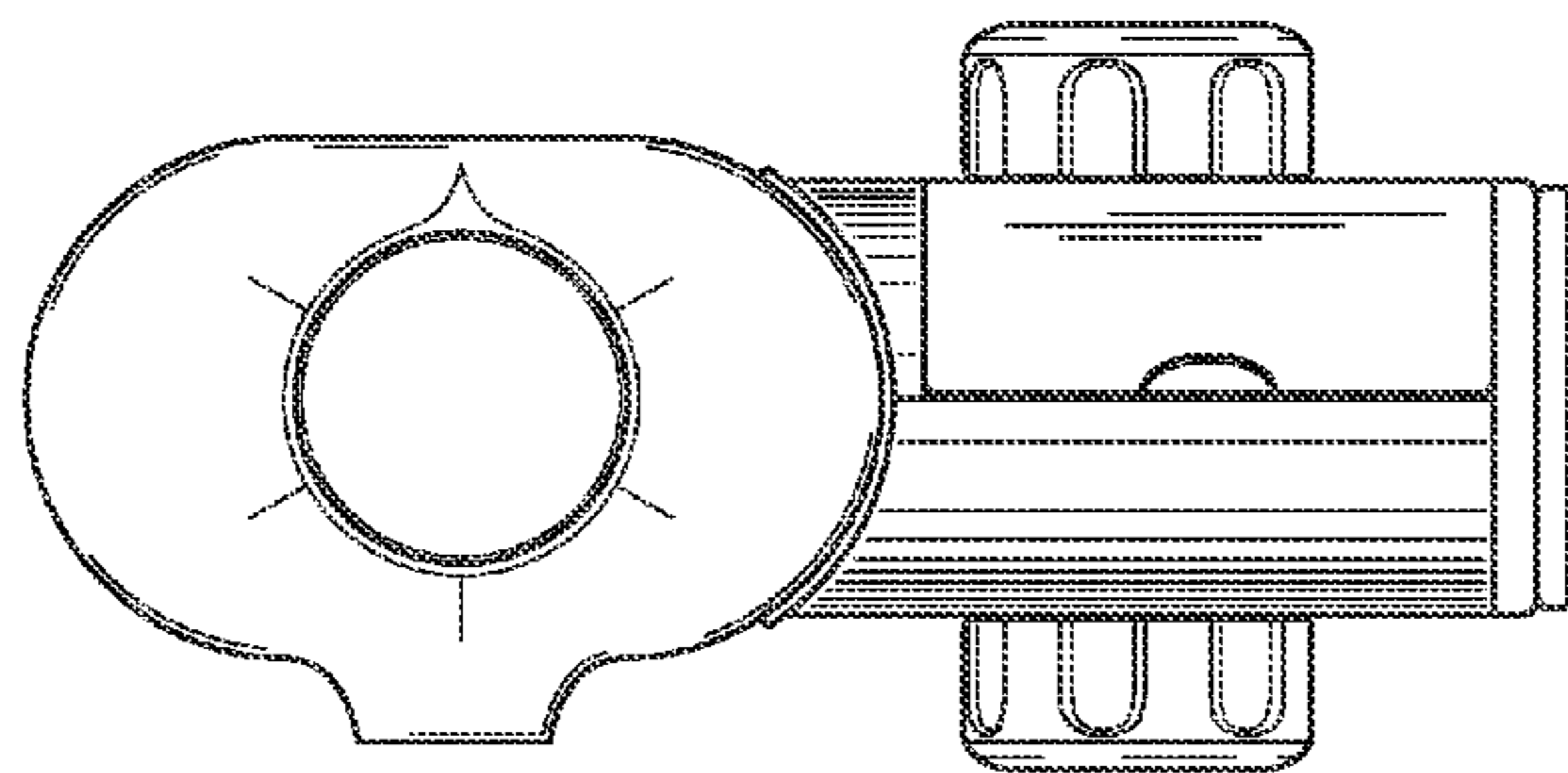


FIG. 2

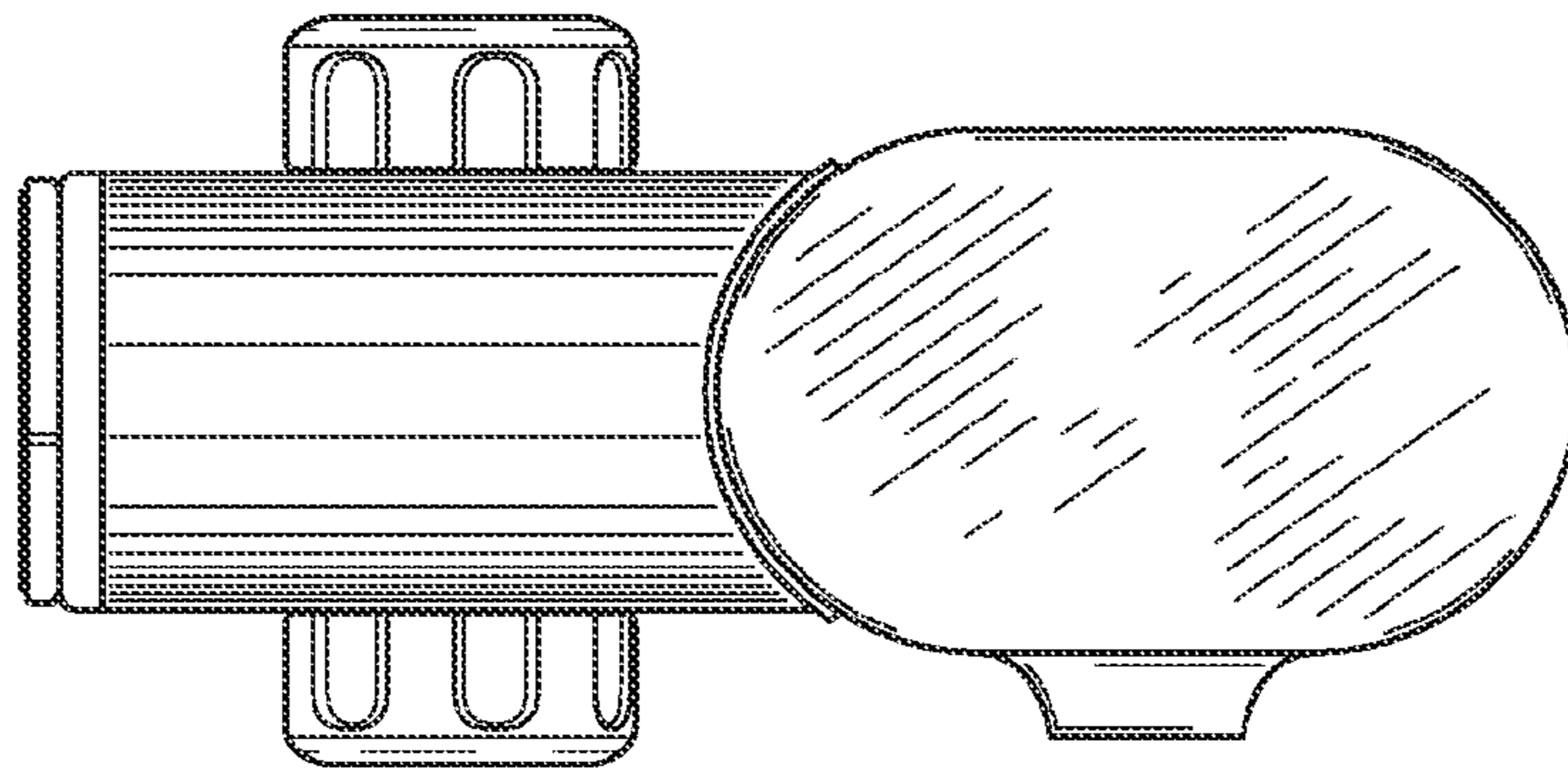


FIG. 3

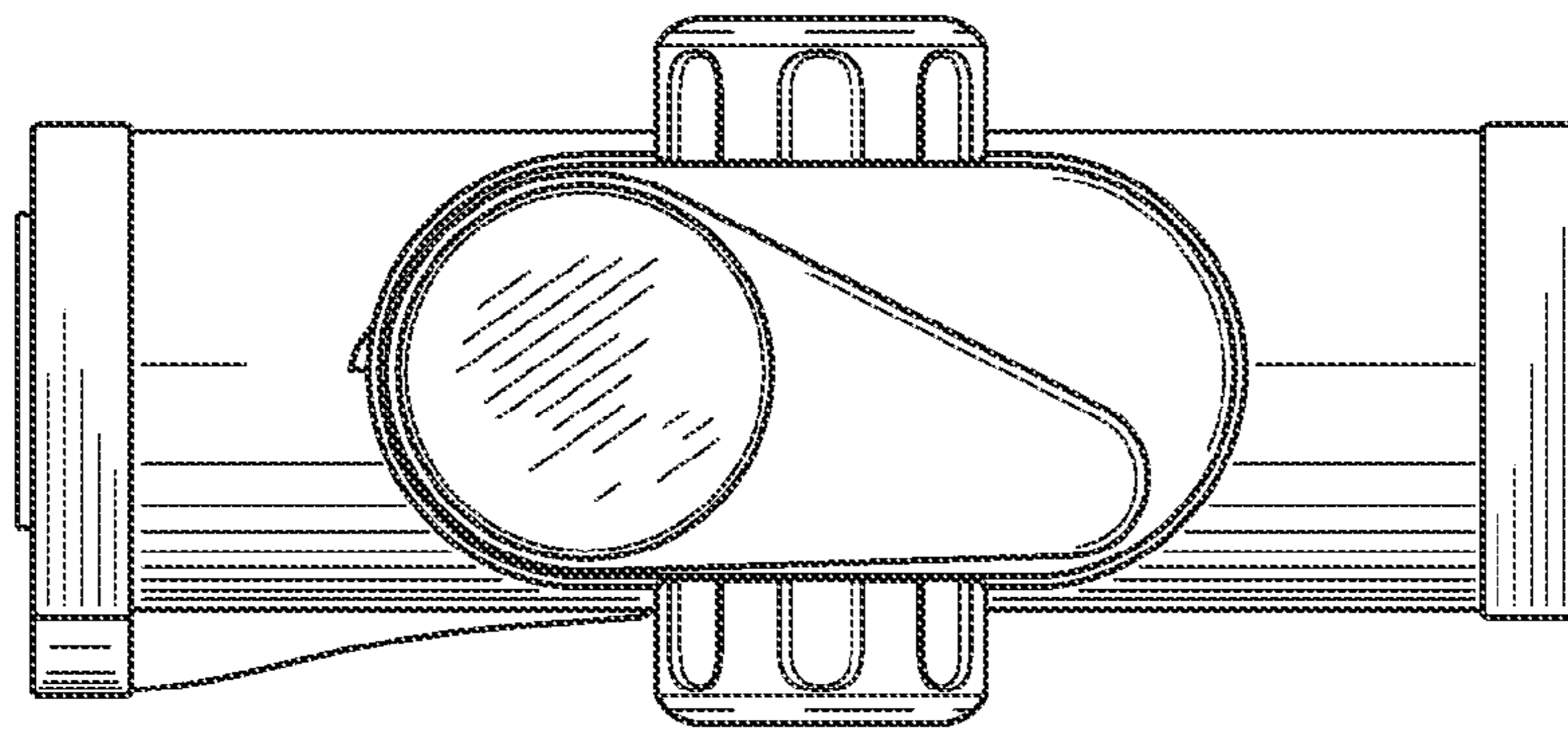


FIG. 4

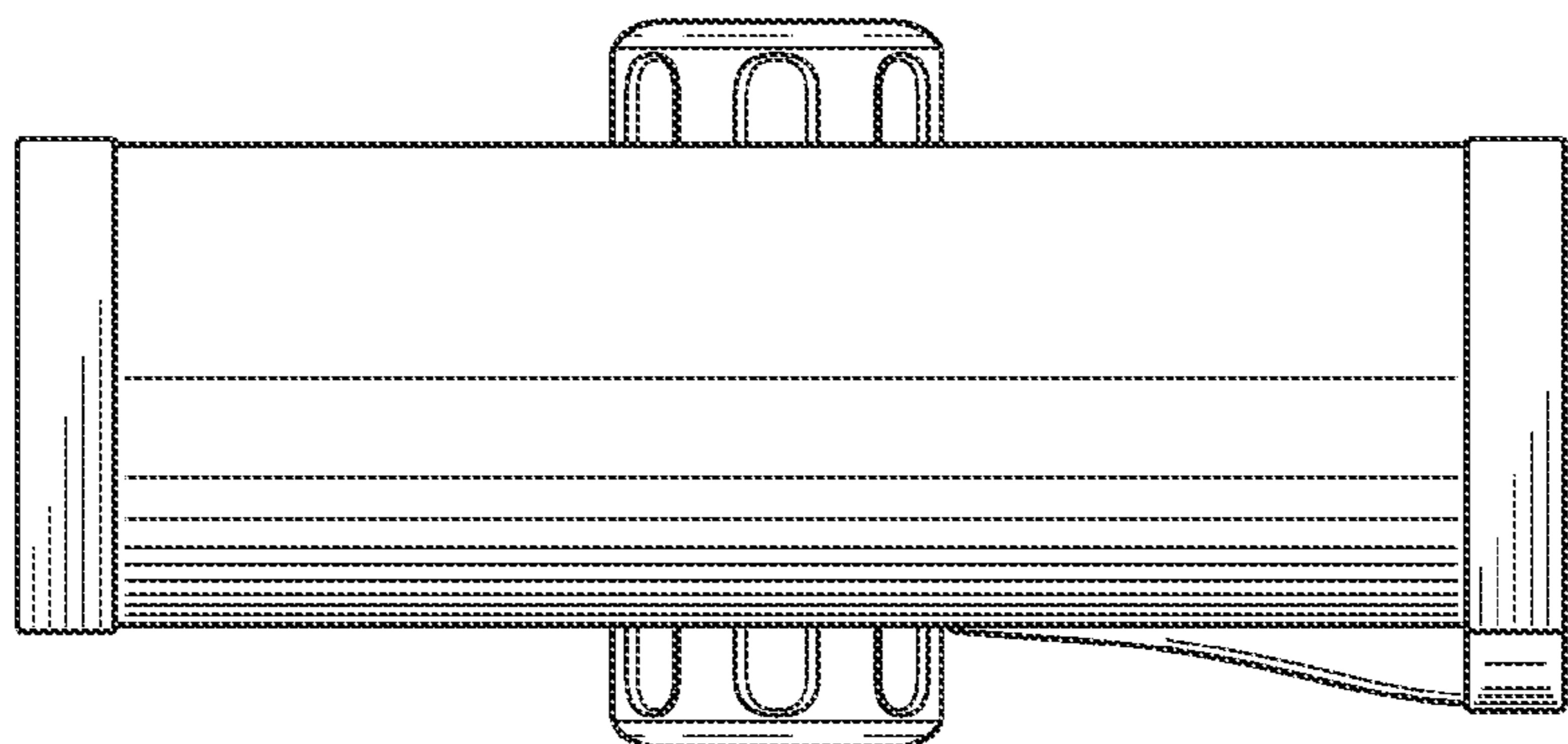


FIG. 5

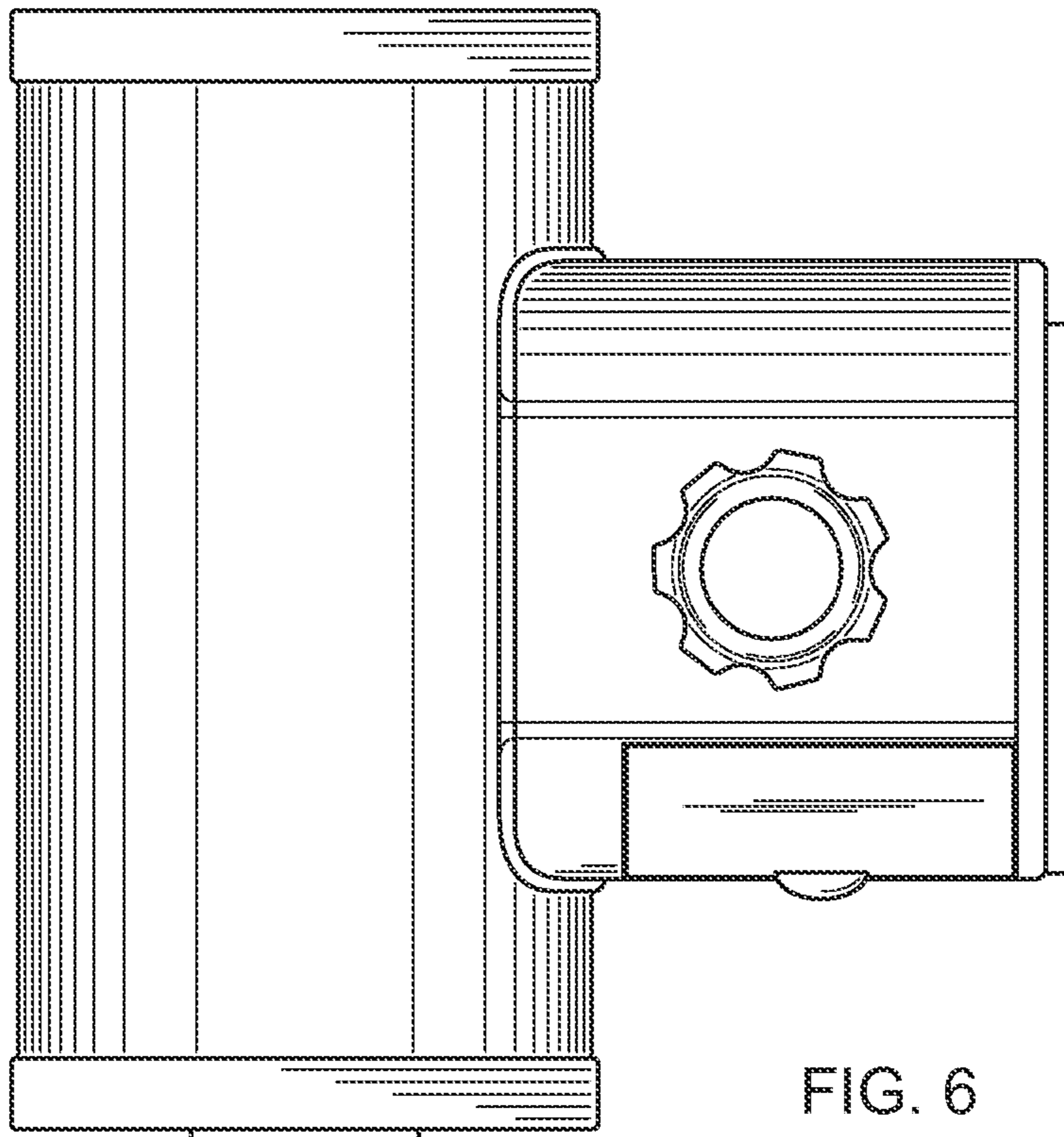


FIG. 6

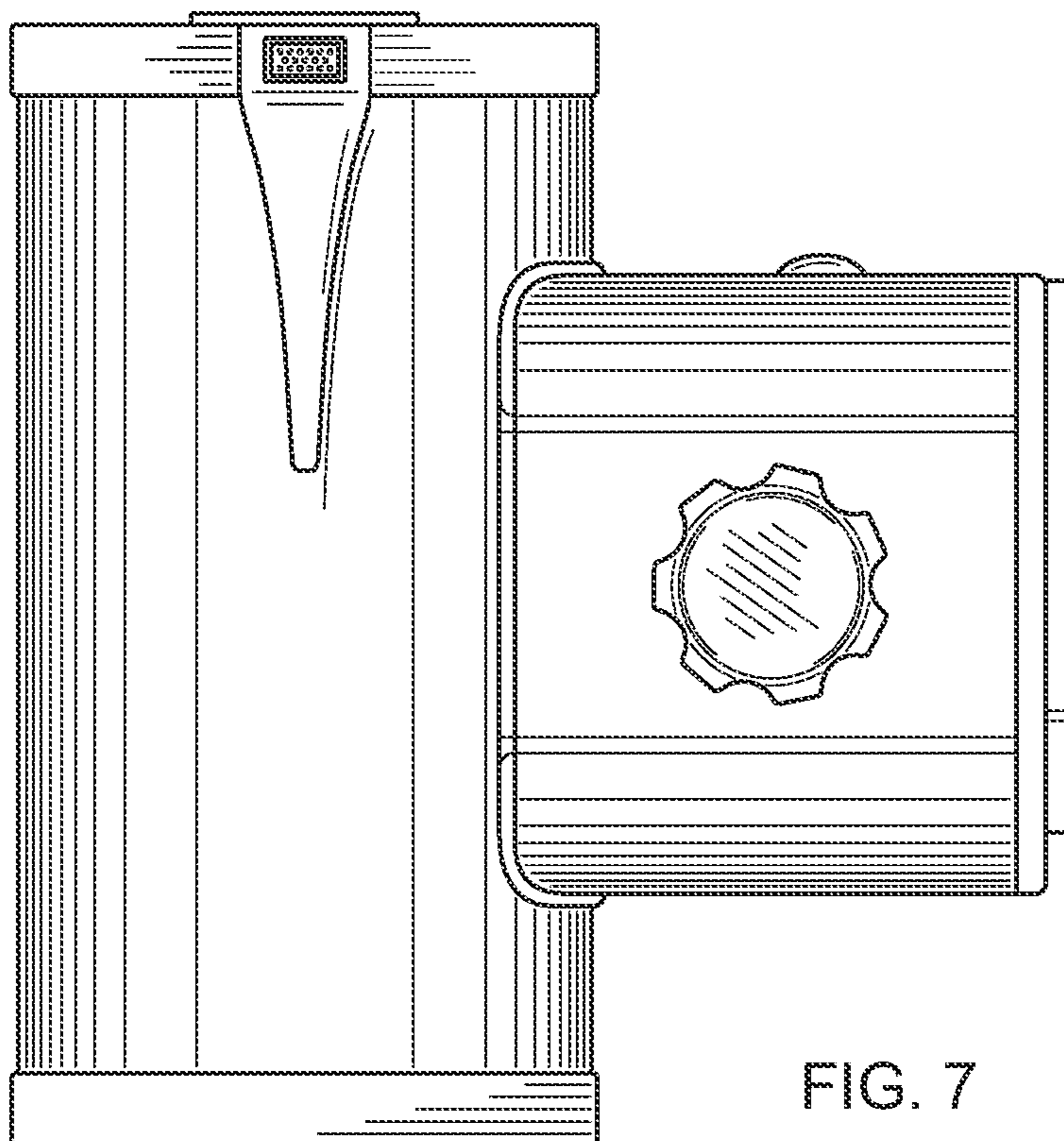


FIG. 7